

DIFFUSER, GRILLE & REGISTER SCHEDULE									
TAG	SELECTION RANGE (CFM)	NECK SIZE (IN.)	OVERALL SIZE (IN.)	SERVICE	MOUNTING	ACCESSORIES	MANUFACTURER AND MODEL NUMBER (AS STANDARD)	NC OR AIR PRESSURE DROP NOT TO EXCEED	REMARKS
SA	185-300	12"Ø	(2) 1" SLOTS x 72"	SUPPLY	LAY-IN	INS. PLENUM	TITUS ML-39	30	SEE NOTES
RA	0-600	22x22	24x24	RETURN	LAY-IN	-	TITUS PAR	30	SEE NOTES

NOTES:
 1. REFER TO SPECIFICATIONS AND DETAILS FOR ADDITIONAL INFORMATION.
 2. SEE PLANS FOR LOCATIONS AND QUANTITIES FOR EACH AIR DEVICE.
 3. AIR DEVICE FINISHES SHALL BE VERIFIED WITH THE ARCHITECT.
 4. BORDER TYPES SHALL BE COMPATIBLE WITH THE ARCHITECTURAL REFLECTED CEILING PLANS.
 5. PROVIDE ALL LINEAR DIFFUSERS WITH MANUFACTURER'S INSULATED PLENUM.

MINIMUM DUCT INSULATION R-VALUES (IECC - 2012)					
LOCATION	SUPPLY	RETURN	RAW OUTDOOR AIR	EXHAUST	
				WITH ENERGY RECOVERY	WITHOUT ENERGY RECOVERY
UNCONDITIONED SPACE (SHAFT OR CEILING WITH DUCTED RETURN AIR)	R-6	R-6	R-6	R-6	-0-

DUCT LINING SCOPE: ACOUSTIC DUCT LINING OF THE TYPE AND THICKNESS SPECIFIED SHALL BE INSTALLED ON ALL SUPPLY, AND RETURN DUCTWORK WITHIN 20 FEET OF ALL TYPES OF AIR HANDLING UNITS (INCLUDING HPU), ETC., AND ALL BRANCHES WITHIN 20', AND WHERE DETAILED OR SHOWN ON DRAWINGS.

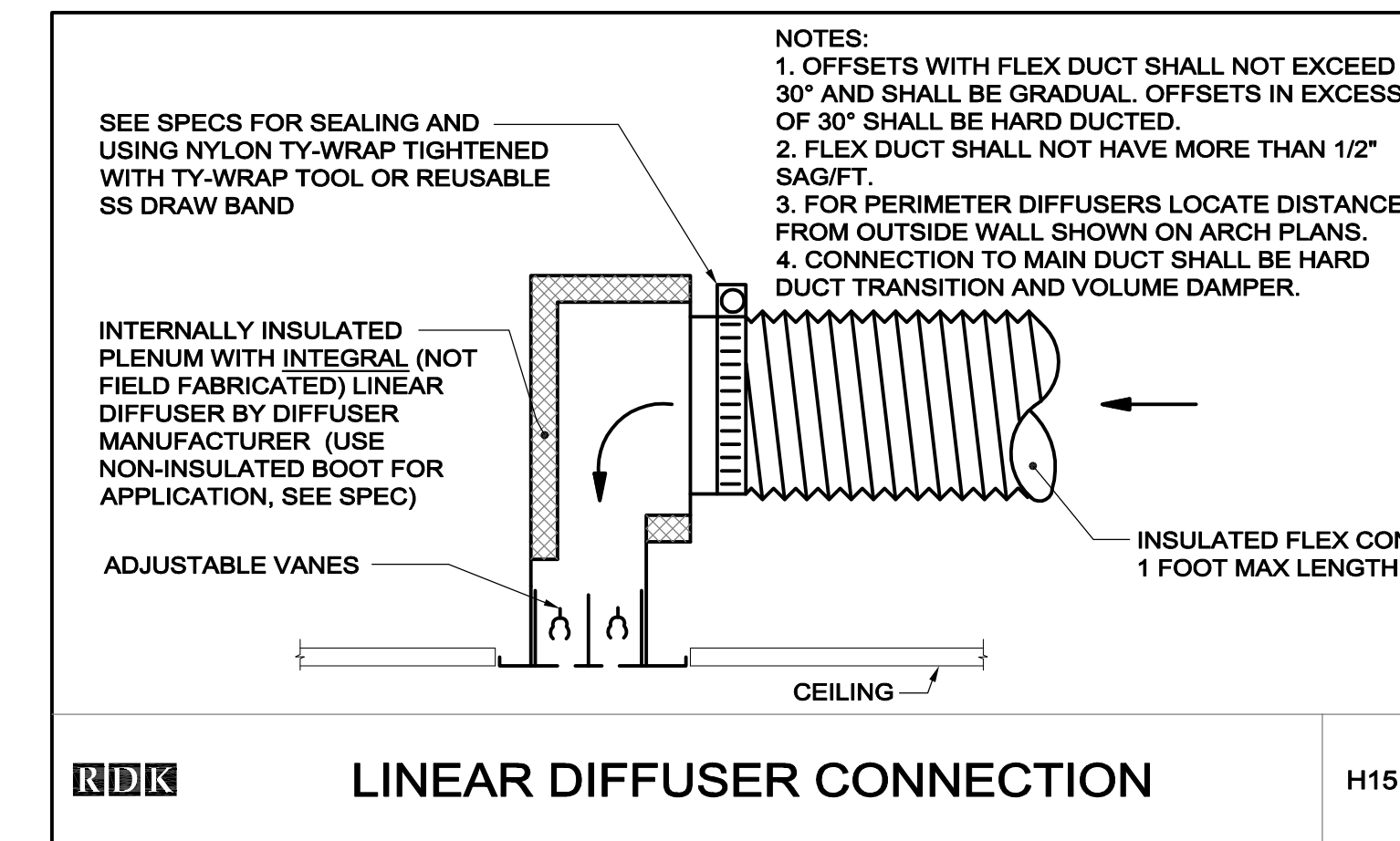
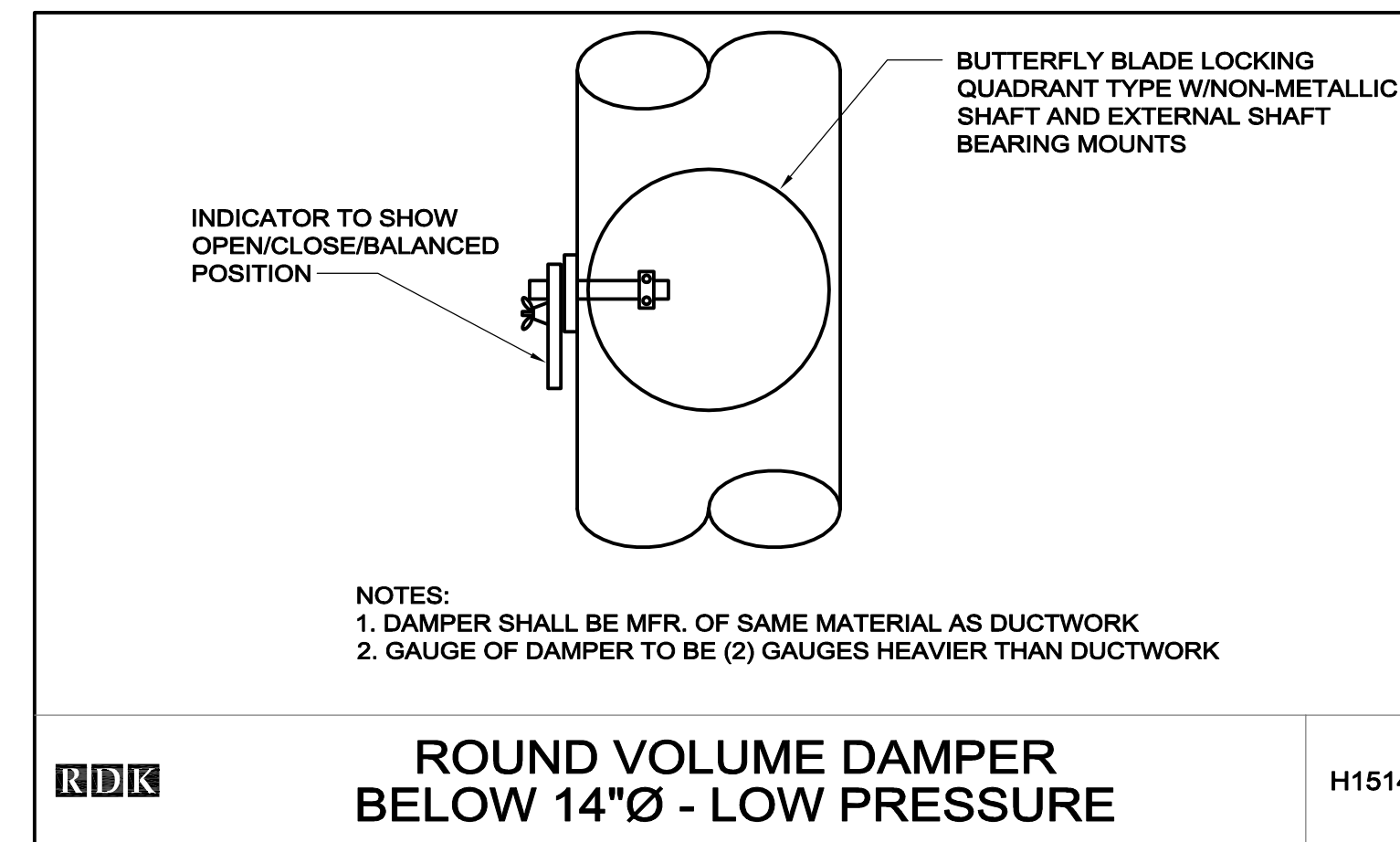
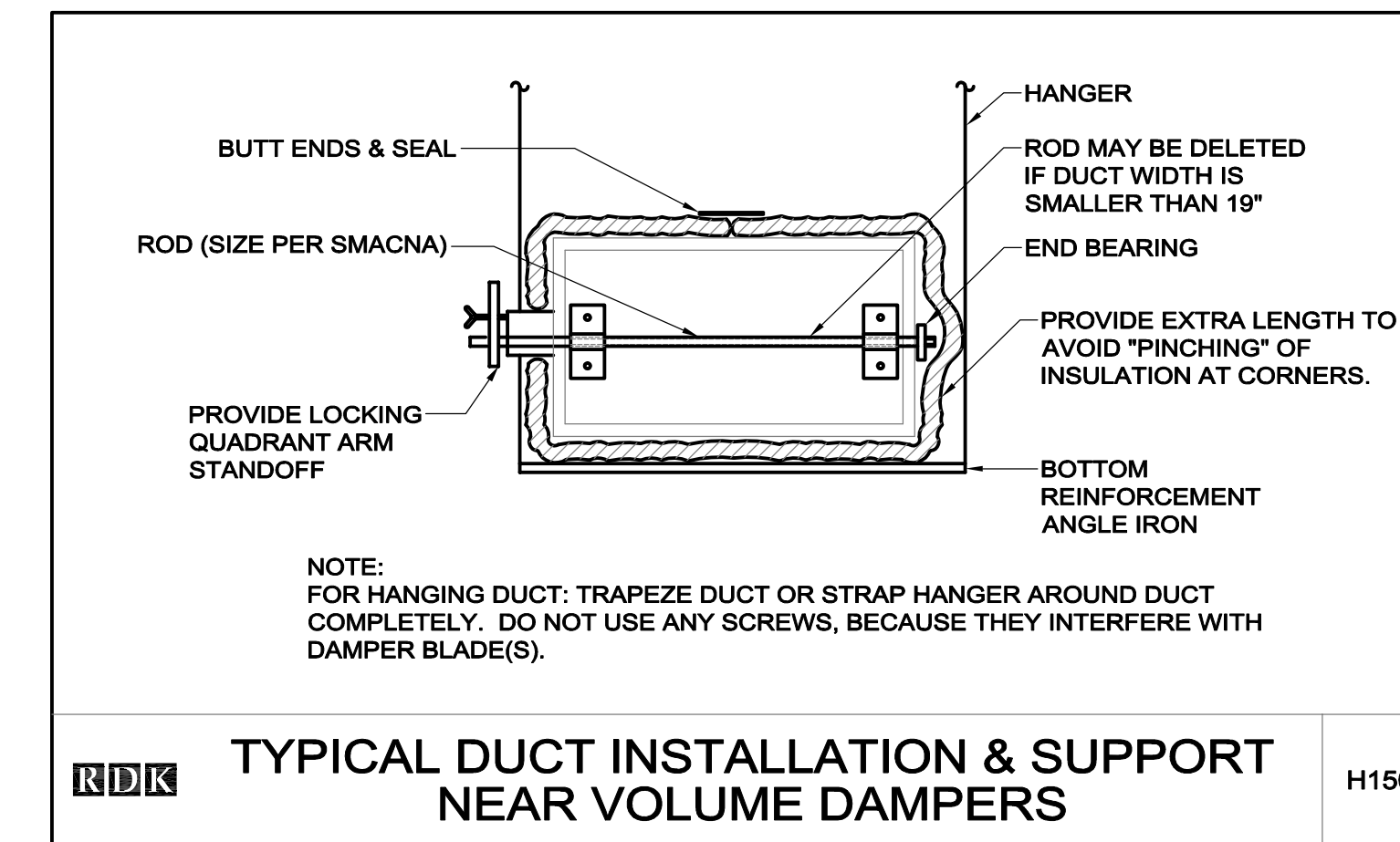
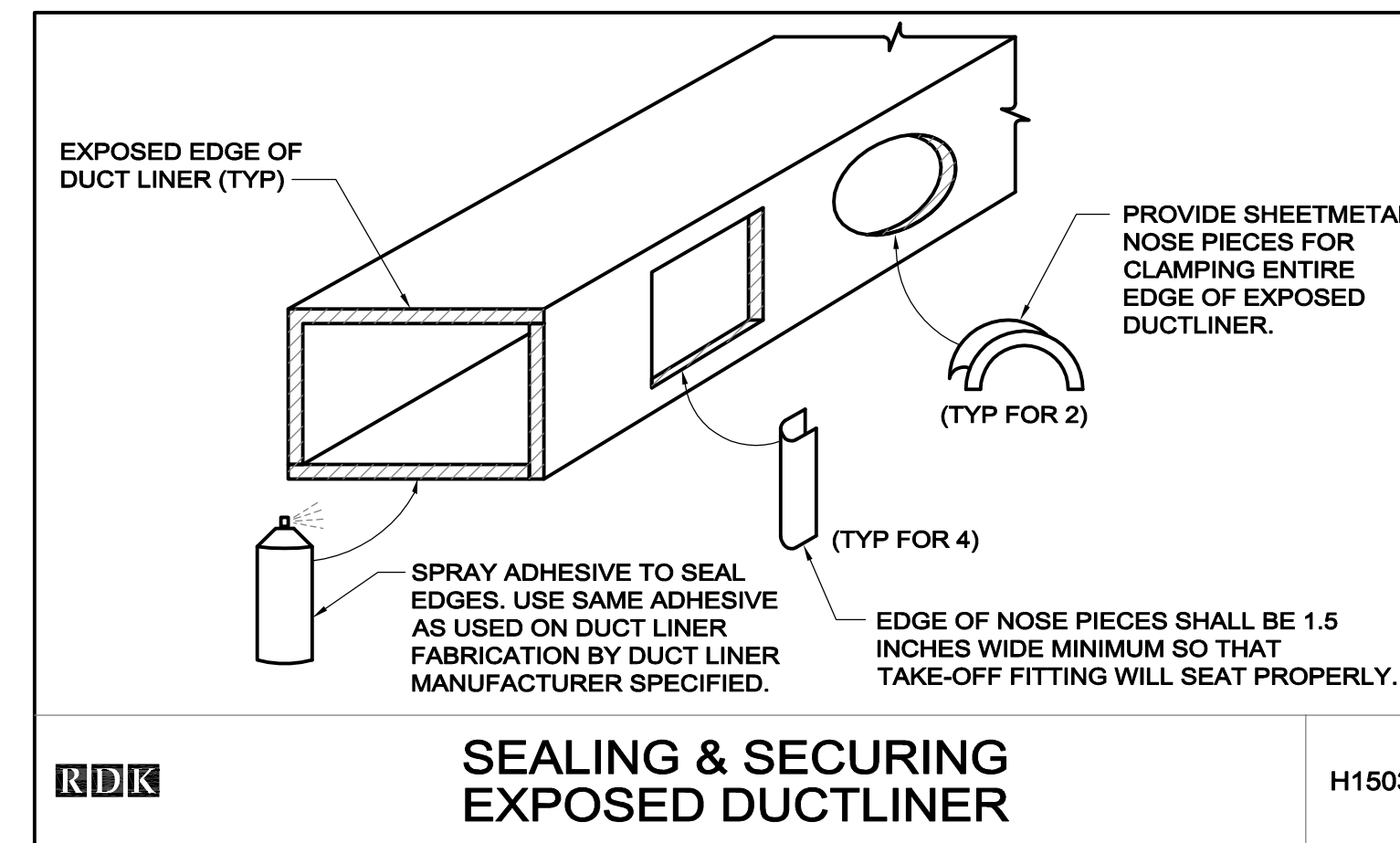
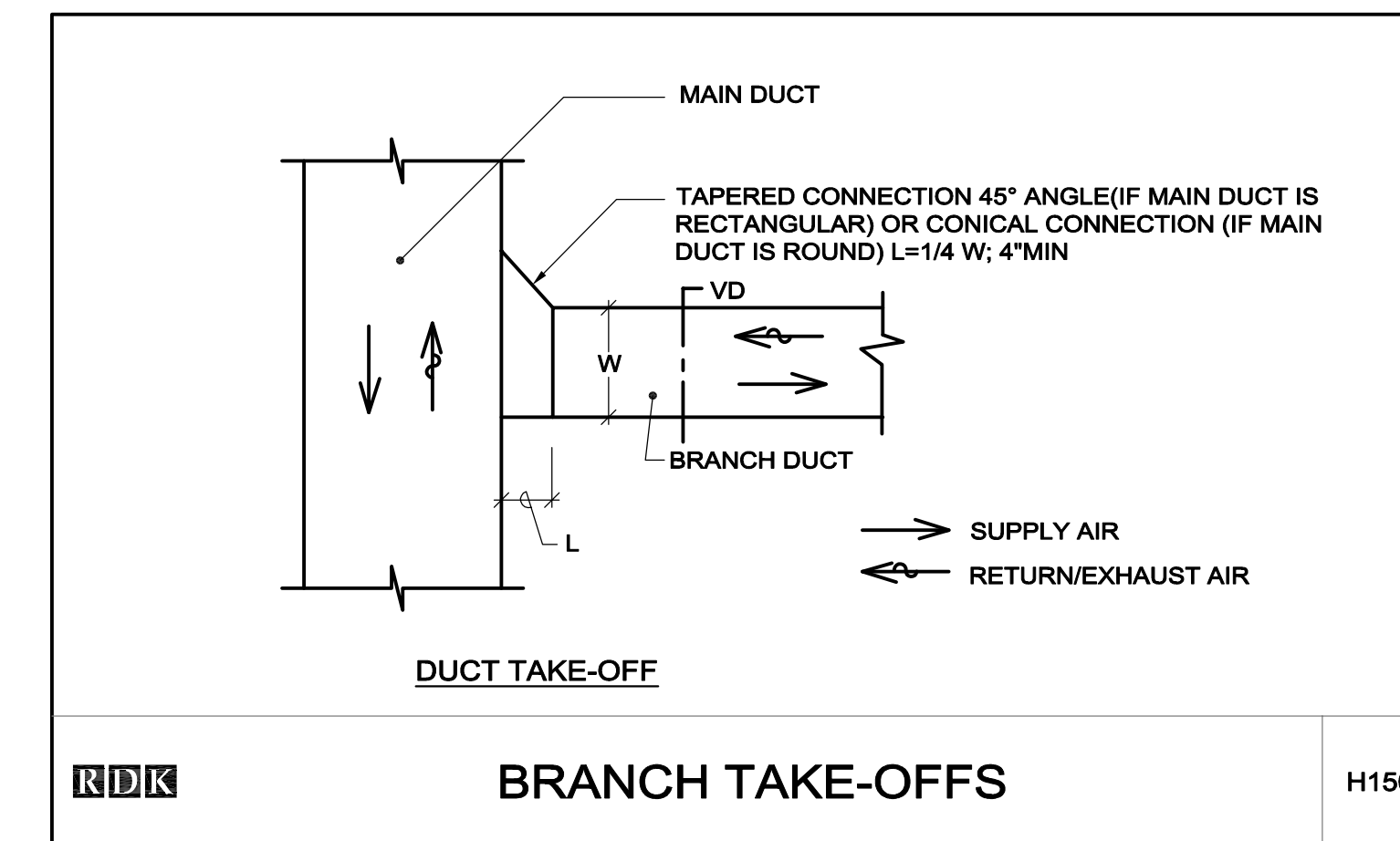
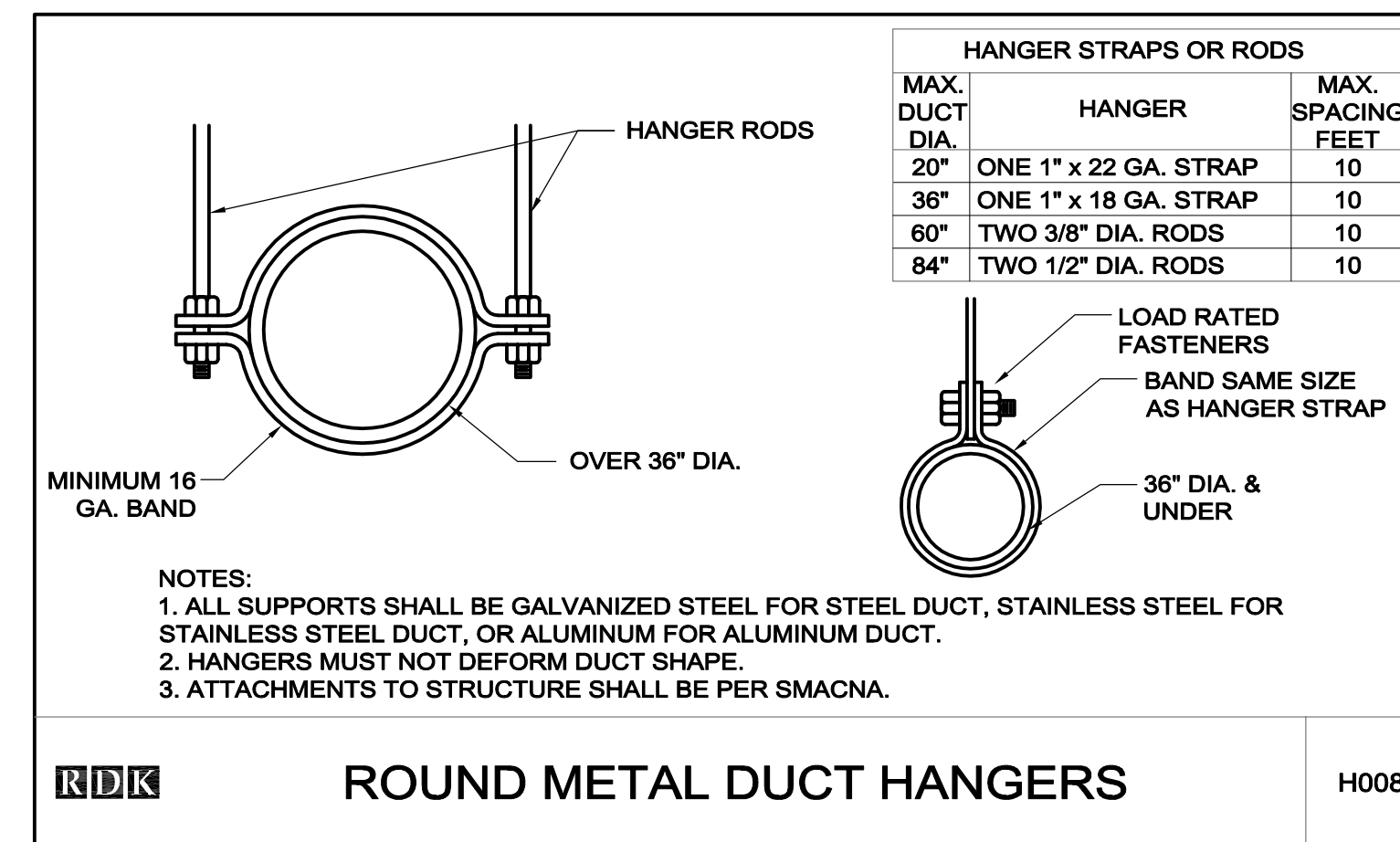
NOTES: (SEE SPECIFICATIONS FOR R-VALUES OF VARIOUS DUCT INSULATION AND LINERS).
 1. R-VALUES SHOWN MAY BE OBTAINED BY ADDING THE R-VALUES OF BOTH THE LINING (WHERE SHOWN OR USED) AND EXTERNAL DUCT INSULATION.
 2. R-VALUES SHOWN ARE AS INSTALLED. USE R-VALUES FOR 25% COMPRESSION FOR NON-RIGID INSULATION.
 3. REFER TO SPECIFICATIONS AND DETAILS FOR ADDITIONAL INFORMATION.

DUCTWORK PRESSURE CLASS AND SEAL CLASS					
PRESSURE CLASS	STATIC PRESSURE CLASS	SMACNA SEAL CLASS	SMACNA LEAKAGE CLASS		DESIGN VELOCITY LIMITS
			RECTANGULAR	ROUND	
2"	2" POS. OR NEG.	A	6	3	2000 FPM OR LESS

UNLESS OTHERWISE SPECIFIED OR SHOWN ON THE DRAWINGS, USE THE FOLLOWING PRESSURE CLASSIFICATIONS FOR THE TYPES OF DUCTWORK LISTED BELOW

2" CLASS:	ALL DUCTWORK.
-----------	---------------

NOTES:
 1. REFER TO SPECIFICATIONS AND DETAILS FOR ADDITIONAL INFORMATION.

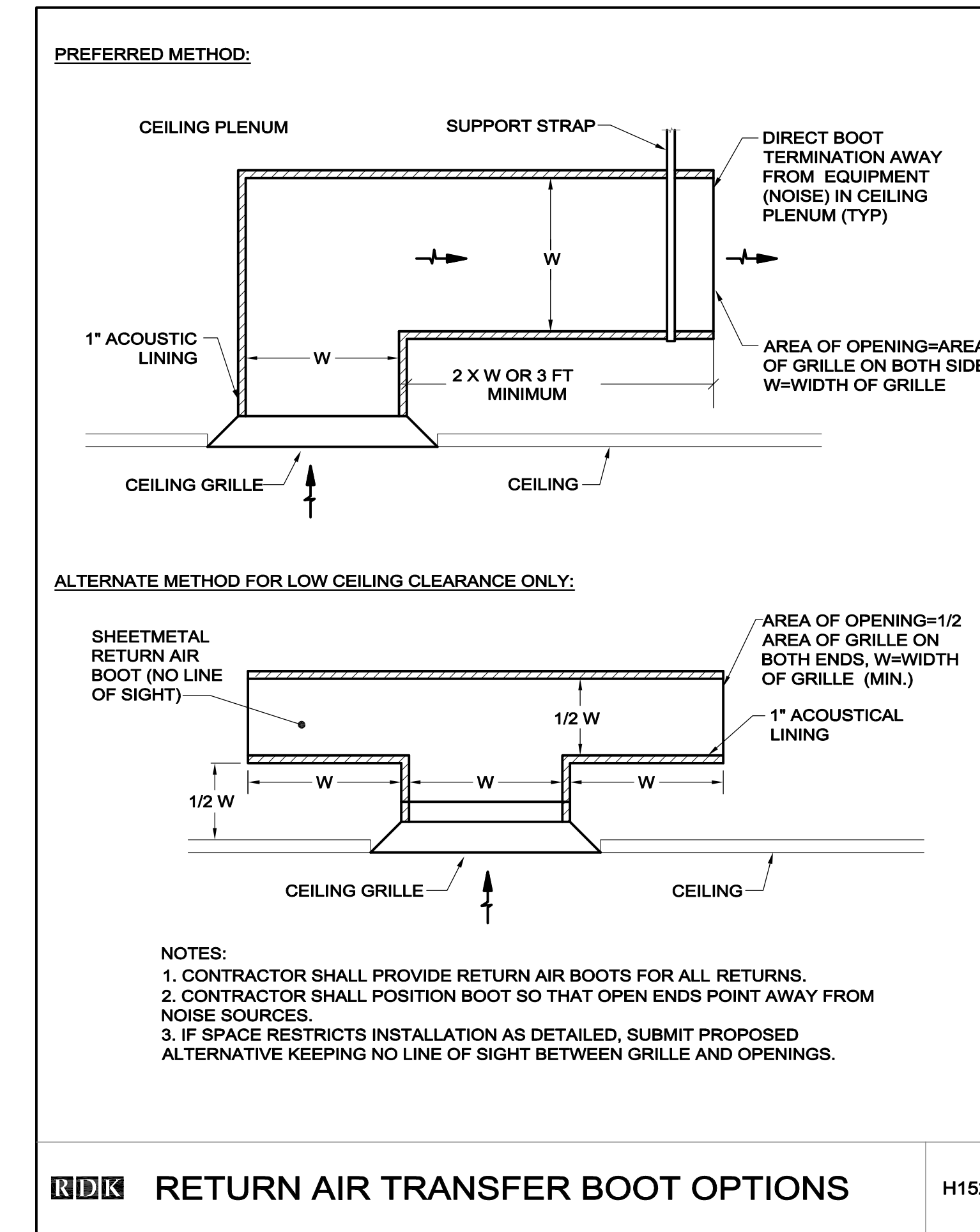


PREFERRED TAKE-OFF FITTING	*ALTERNATE TAKE-OFF FITTING	*ALTERNATE TAKE-OFF FITTING	*ALTERNATE TAKE-OFF FITTING	*ALTERNATE TAKE-OFF FITTING
BELLMOUTH CONNECTION w/ END FLAPS BENT OVER MODEL BMD	MINI-BELLMOUTH CONNECTION MODEL MBMD	OVAL-BELLMOUTH CONNECTION MODEL OVBMD	STANDARD 45° RECTANGULAR TO ROUND BOOT CONNECTION MODEL 3300D	
DUCT SIZE	DUCT HOLE SIZE	DUCT HOLE SIZE	DUCT HOLE SIZE	DUCT HOLE SIZE
5" 6" 7" 8" 10" 12" 14" 16" 18"	5" 6" 7" 8" 9" 10" 11" 12" 13" 14" 15" 16" 17" 18" 19"	5" 6" 7" 8" 9" 10" 11" 12" 13" 14" 15" 16" 17" 18" 19"	5" 6" 7" 8" 9" 10" 11" 12" 13" 14" 15" 16" 17" 18" 19"	5" 6" 7" 8" 9" 10" 11" 12" 13" 14" 15" 16" 17" 18" 19"

ALTERNATE ROUND BRANCH DUCT TAKE-OFFS

DUCT SIZE	HOLE SIZE	MINIMUM DUCT HEIGHT	PREFERRED TAKE-OFF FITTING	ALTERNATE TAKE-OFF FITTING
6 x 4	7.5 x 5.5	7.5	PREFERRED RECTANGULAR BELL MOUTH FITTING MODEL RBMD	ALTERNATE 45° RECTANGULAR TAKE-OFF
10 x 4	11.5 x 5.5	7.5		
18 x 4	17.5 x 5.5	7.5		
24 x 4	25.5 x 5.5	7.5		
6 x 5	7.5 x 6.5	8.5		
10 x 5	11.5 x 6.5	8.5		
18 x 5	17.5 x 6.5	8.5		
24 x 5	25.5 x 6.5	8.5		
6 x 6	7.5 x 7.5	9.5		
10 x 6	11.5 x 7.5	9.5		
18 x 6	17.5 x 7.5	9.5		
24 x 6	25.5 x 7.5	9.5		
8 x 8	9.5 x 9.5	11.5		
18 x 8	17.5 x 9.5	11.5		
24 x 8	25.5 x 9.5	11.5		
10 x 10	11.5 x 11.5	13.5		
18 x 10	17.5 x 11.5	13.5		
24 x 10	25.5 x 11.5	13.5		

NOTES:
 ALL ROUND AND RECTANGULAR BELLMOUTH FITTINGS SHALL BE INCLUDED WITH THE FOLLOWING STANDARD FEATURES:
 1. NEOPRENE GASKET TO MINIMIZE AIR LEAKAGE.
 2. PRE-DRILLED HOLES FOR QUICK MOUNTING.
 3. CONSTRUCTED OF HEAVY GALVANIZED STEEL.
 4. 28 GAUGE GALV. QUADRANT VOLUME DAMPER W/ TIGHT FITTING GASKETING TO MINIMIZE LEAKAGE AT DAMPER PIVOT POINTS. (FOR LOW PRESSURE DUCTWORK)



KLING STUBBINS
 2301 Chestnut Street
 Philadelphia, Pennsylvania
 19103
 P 215.569.2900
 F 215.569.5963
 W www.klingstubbins.com

Fidelity's Engineering Consultant:

RDK ENGINEERS
 Anderson, MA • Boston, MA • Amherst, MA
 Durham, NC • Charlotte, NC
 70 Fargo Street Boston, MA 02210-1964
 T 617-345-9888

General Notes:

Project Title:
Fidelity INVESTMENTS
 Fidelity Real Estate Company
 245 Summer Street
 Boston, MA 02110

Fidelity Investor Center
 3 Canal Plaza
 Portland, ME 04112
 Branch ID No. 120

Number	Description	Date
	ISSUED FOR PERMIT & CONSTR.	03 OCT 14

CAD File:
 Project No.: 20140629
 Copyright: 2014 KlingStubbins, Inc or LLC

Drawing Sheet Title:
HVAC DETAILS & SCHEDULES

Drawing Sheet Number:
H-700
 Owner's Drawing Sheet No.: