

**ARCHETYPE, P.A.**  
**ARCHITECTS**  
 48 Union Wharf Portland, Maine 04101  
 (207) 772-6022 Fax (207) 772-4056

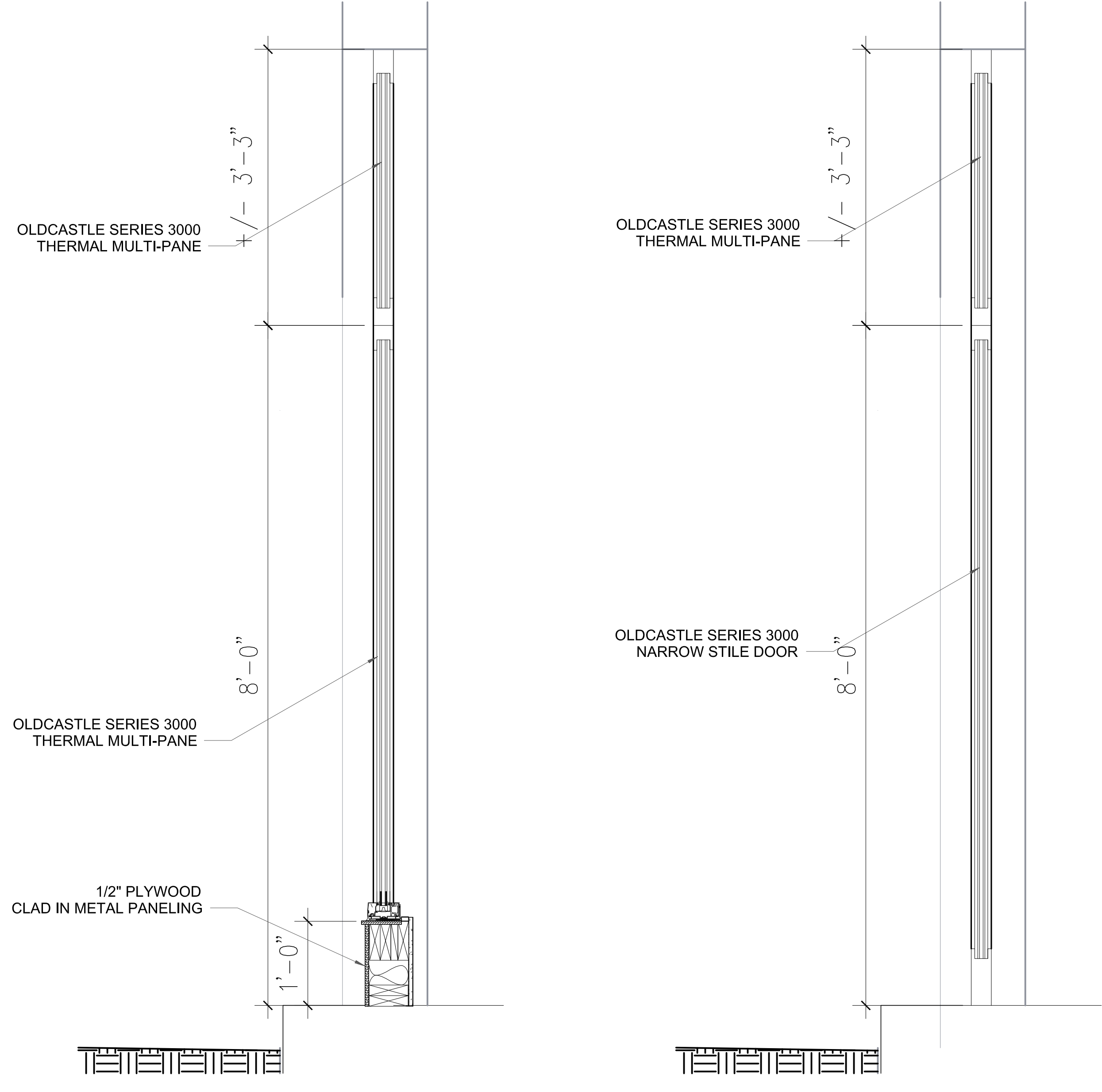
Date: 3-30-2016  
 Scale: 1/8" = 1'-0"  
 5-5-2016 - REVISIONS BASED ON SUBMITTALS  
 1-31-2017 - REVISIONS BASED ON BUILDING INSPECTIONS  
 3-2-2017 - REVISIONS BASED ON BUILDING INSPECTIONS  
 3-28-2017 - REVISIONS BASED ON BUILDING INSPECTIONS  
 5-1-2017 - SKYLIGHTS/HANDRAIL/GUARD DETAILS

**DETAILS & DOOR SCHEDULE**  
 Project: **10 EXCHANGE STREET**  
 10 EXCHANGE STREET  
 PORTLAND, MAINE

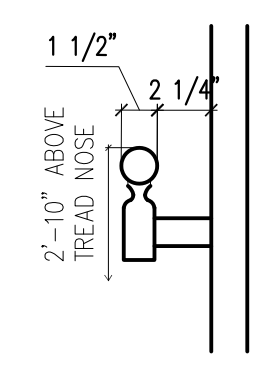
**A4.01**

# DOOR SCHEDULE

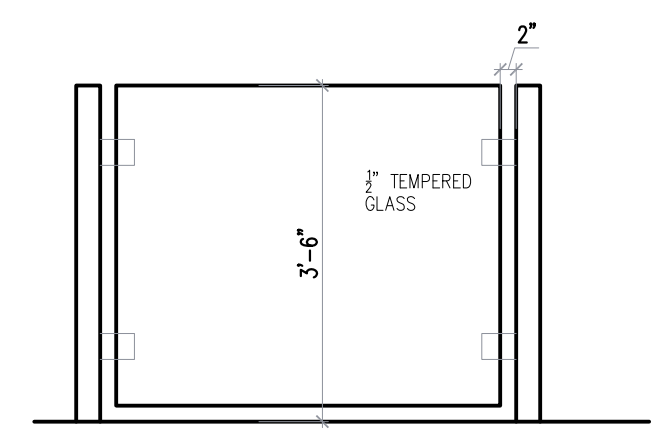
DOORS					
MARK	SIZE	F.R.	HARDWARE SET	MAT.	REMARKS
001	3'-0" x 7'-0"	1 HR	STOREROOM	HM	
002	3'-0" x 7'-0"	90 MIN	STOREROOM	HM	
101	3'-0" x 7'-0"		CLOSER, EXIT	ALUM-FULL LITE	KEY CARD ACCESS
102	2(3'-0" x 7'-0")		STOREROOM	ALUM-FULL LITE, TINTED	
103	3'-0" x 7'-0"	1 HR	STOREROOM	HM	
104	3'-0" x 7'-0"	1 HR	CLOSER, EXIT	ALUM-FULL LITE	KEY CARD ACCESS
105	3'-0" x 7'-0"	1 HR	CLOSER, EXIT	HM	VISION PANEL
106	3'-0" x 7'-0"		CLOSER, EXIT	ALUM-FULL LITE	
107	3'-0" x 7'-0"	1 HR	STOREROOM	HM	
108	3'-0" x 7'-0"		CLOSER, EXIT	ALUM-FULL LITE	
110	3'-0" x 7'-0"		CLOSER, EXIT	CUSTOM WOOD, FULL LITE	KEY CARD ACCESS
111	3'-0" x 7'-0"		EXIT	HM	
201	3'-0" x 7'-0"	20 MIN	STOREROOM	HM	
301	3'-0" x 7'-0"	1 HR	PUSH/PULL CLOSER	HM	VISION PANEL
301A	2'-0" x 7'-0"		STOREROOM	WD	
302	3'-0" x 7'-0"		STOREROOM	HM	
303-315	3'-0" x 7'-0"	20 MIN	ENTRANCE	HM	
316	3'-0" x 7'-0"	1 HR	PUSH/PULL CLOSER	HM	VISION PANEL
401	3'-0" x 7'-0"	1 HR	PUSH/PULL CLOSER	HM	VISION PANEL
402-415	3'-0" x 7'-0"	20 MIN	ENTRANCE	HM	
416	3'-0" x 7'-0"	1 HR	PUSH/PULL CLOSER	HM	VISION PANEL
U1	2'-6" x 6'-6"			SOLID WOOD	
U2	2'-8" x 6'-8"			SOLID WOOD	SLIDING DOOR
U3	2'-6" x 6'-6"			SOLID WOOD	BI-FOLD
U4	5'-0" x 6'-8"			GLASS	SLIDING DOOR



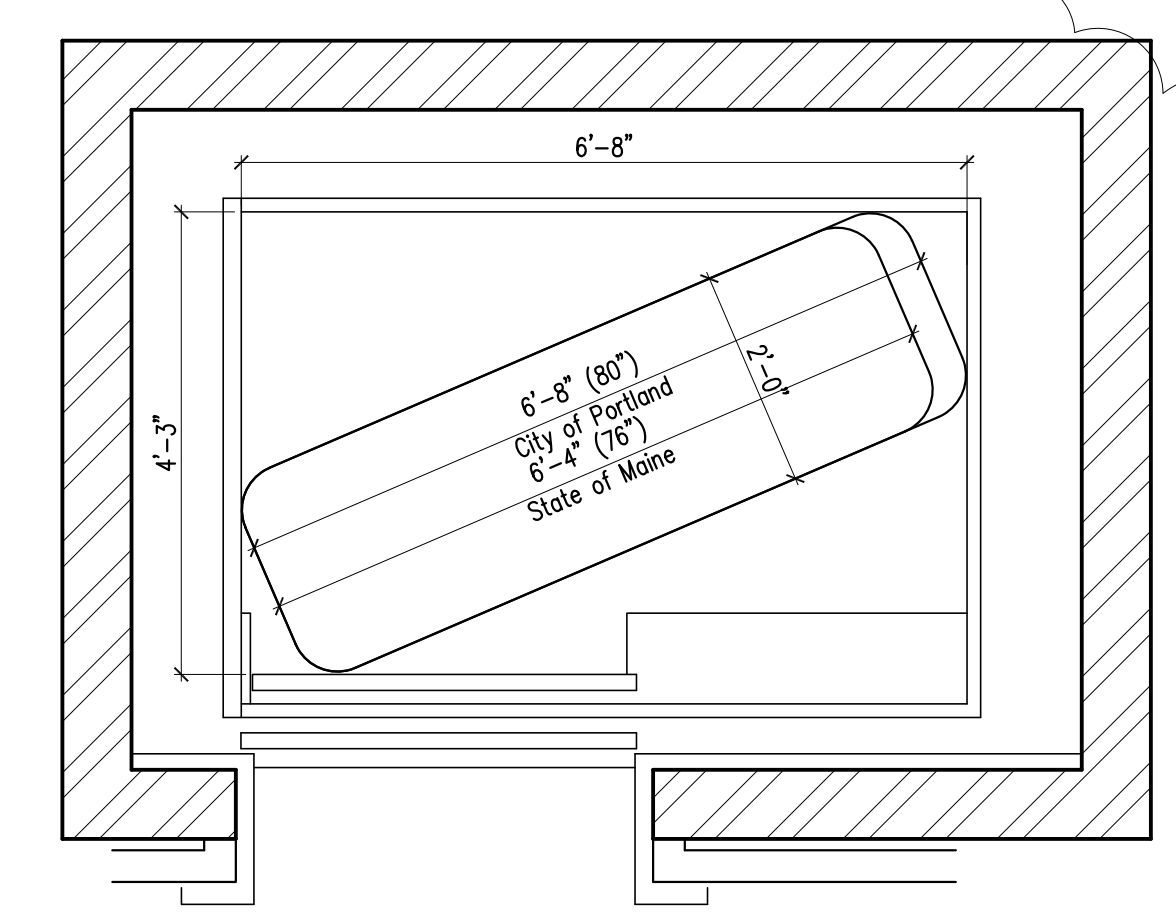
1 STOREFRONT SECTIONS ON FOX COURT  
 SCALE: 1"=1'-0"



2 HANDRAIL DETAILS  
 SCALE: 1 1/2"=1'-0"



2 GUARD DETAILS  
 SCALE: 1/2"=1'-0"



2500# ELEVATOR STRETCHER DIAGRAM