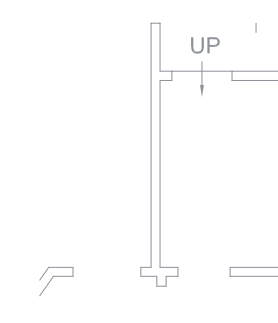
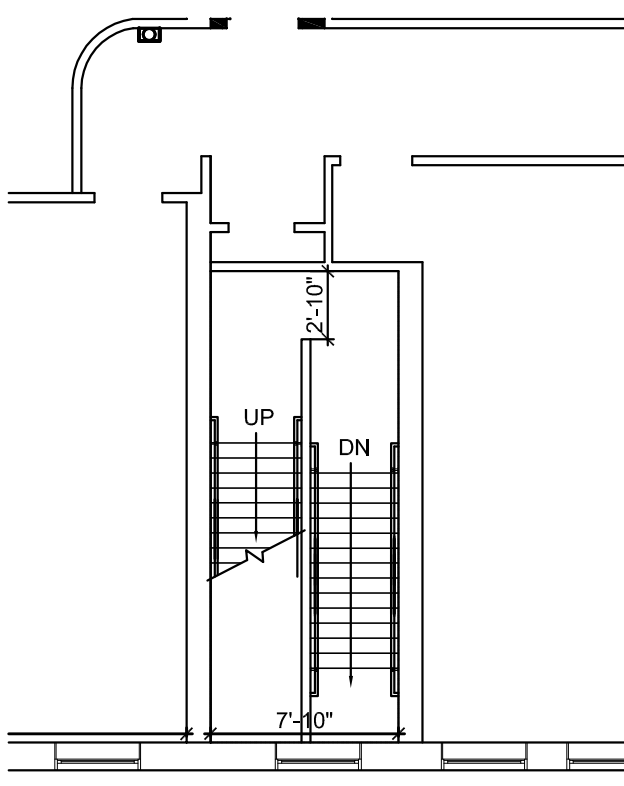
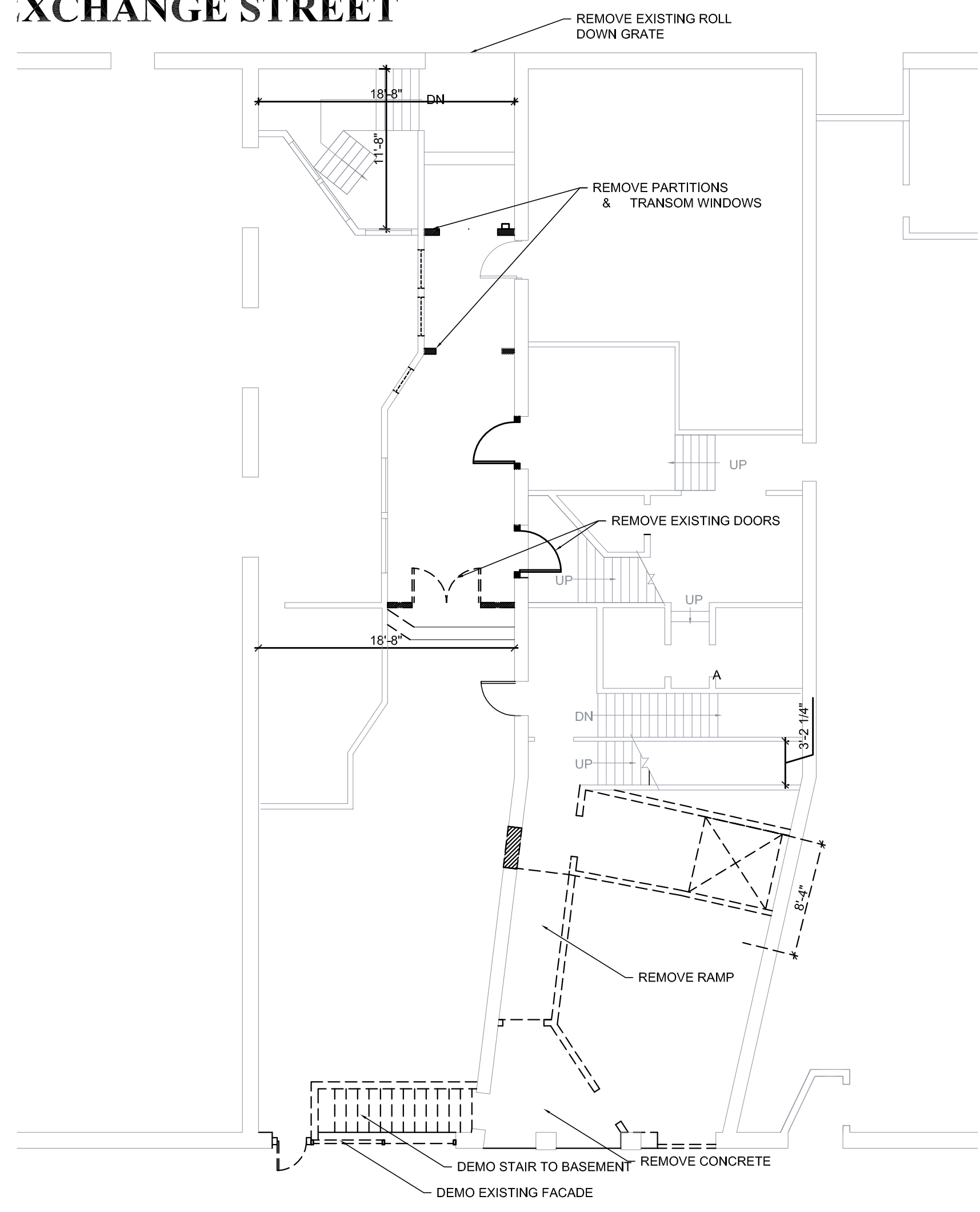
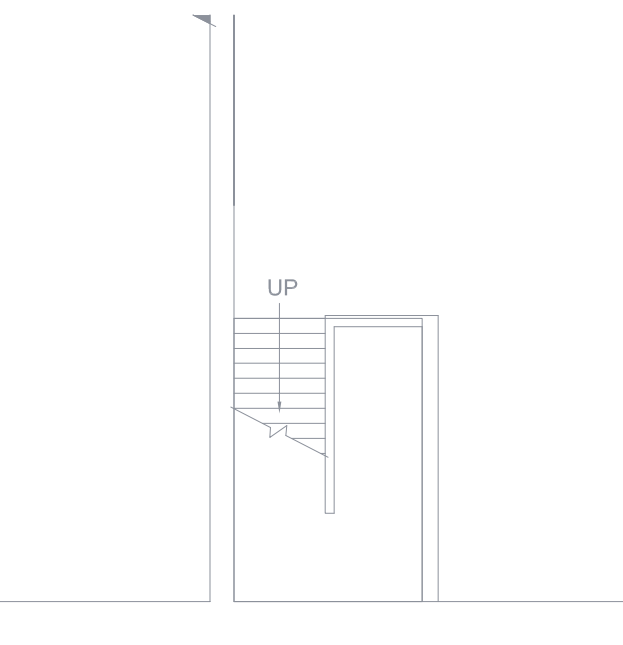
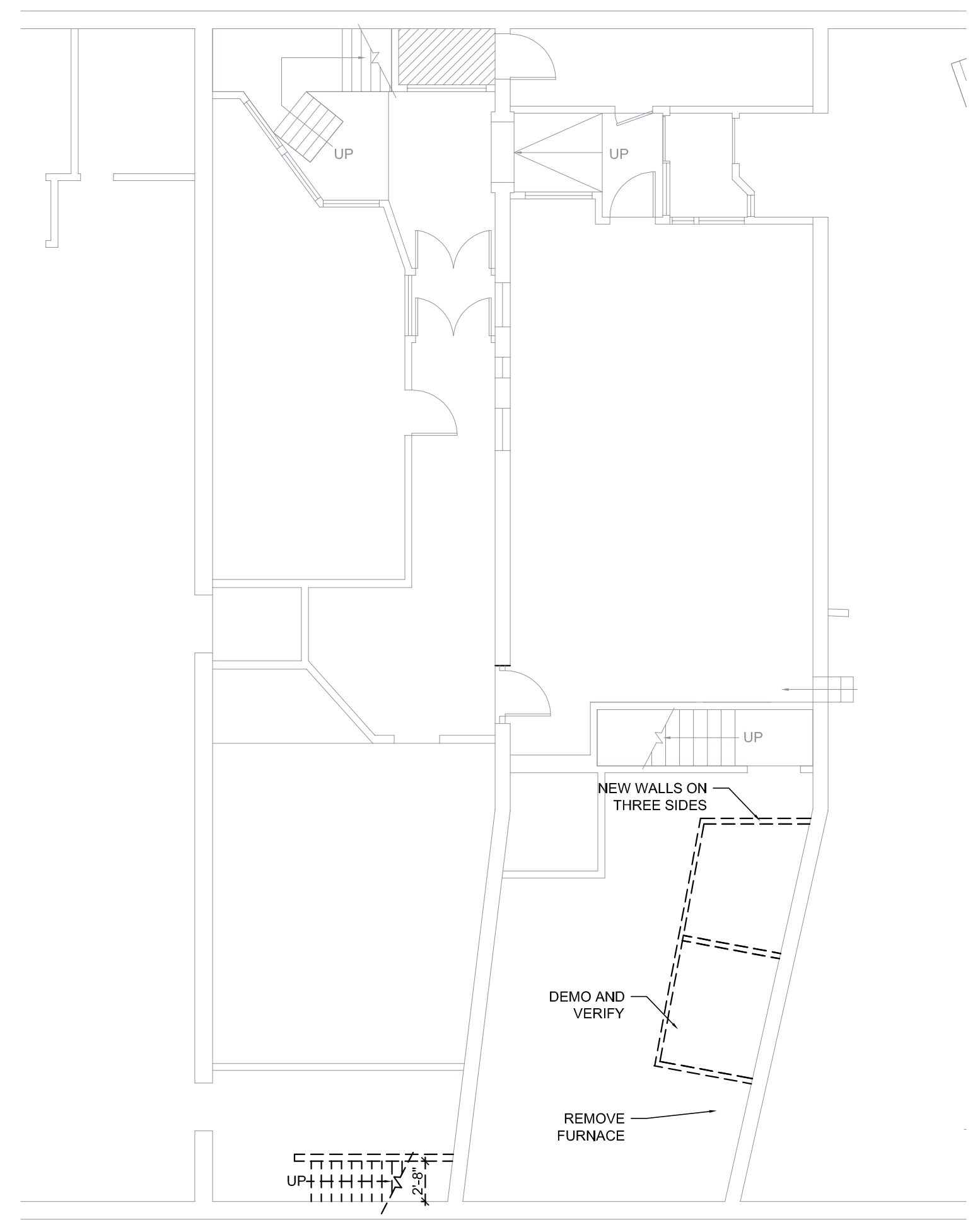


EXCHANGE STREET

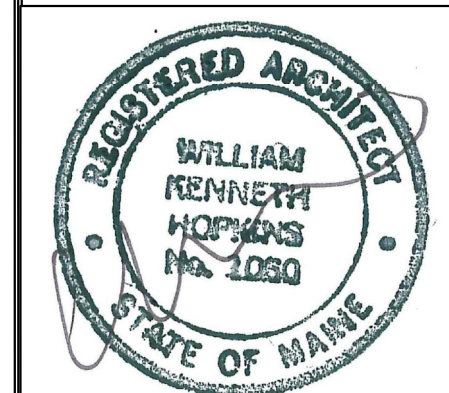


2 | FIRST FLOOR PLAN
SCALE: 1/8"=1'-0"

3 | SECOND FLOOR PLAN
SCALE: 1/8"=1'-0"



1 | BASMENT PLAN
SCALE: 1/8"=1'-0"



**ARCHETYPE, P.A.
ARCHITECTS**
48 Union Wharf Portland, Maine 04101
(207) 772-6022 Fax (207) 772-4056

Date: 3-30-2016
Scale: 1/8" = 1'-0"

BASEMENT, 1ST AND 2ND
DEMO PLANS
Project: 10 EXCHANGE STREET
10 EXCHANGE STREET
PORTLAND, MAINE

AD1.01