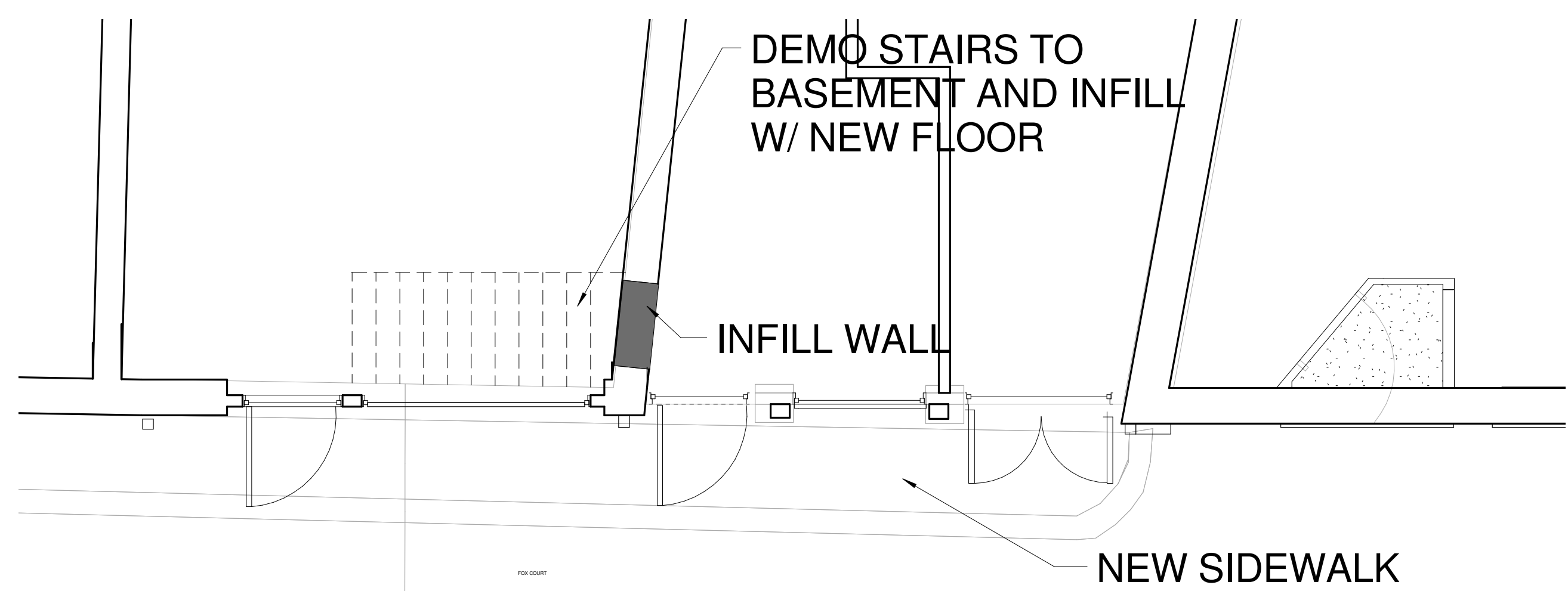


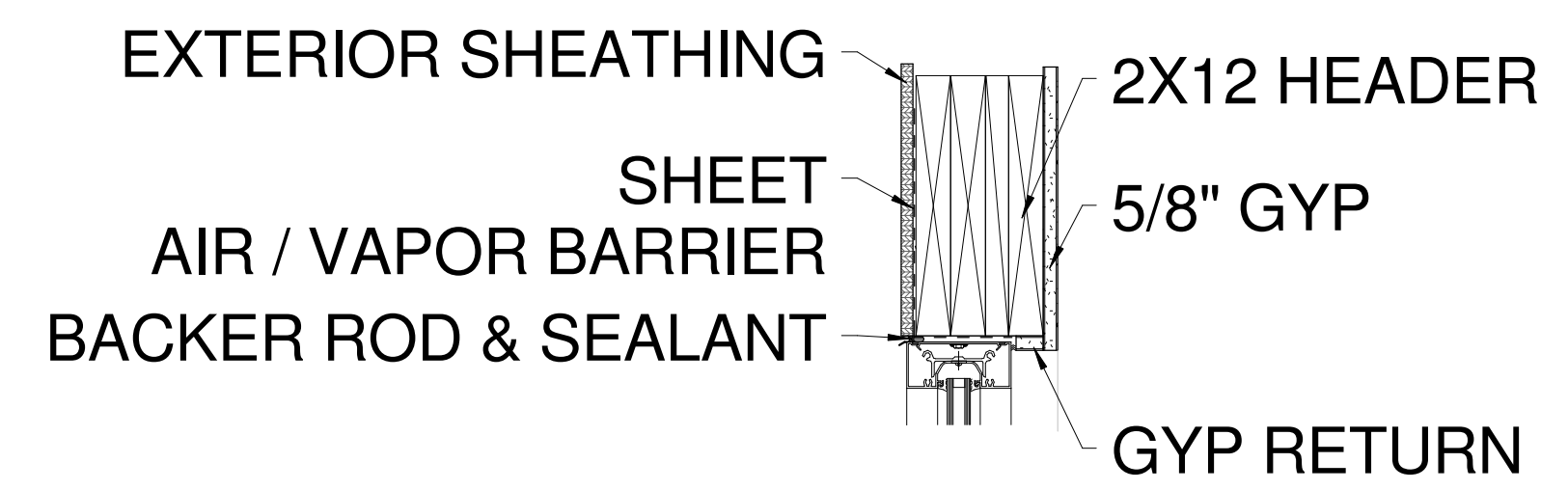
NOTE: ALL 3RD AND FOURTH FLOOR WINDOWS TO BE REPLACED. BRICKMOULD TO SIMULATE EXISTING. MULLIONS SIZES TO MATCH EXISTING.



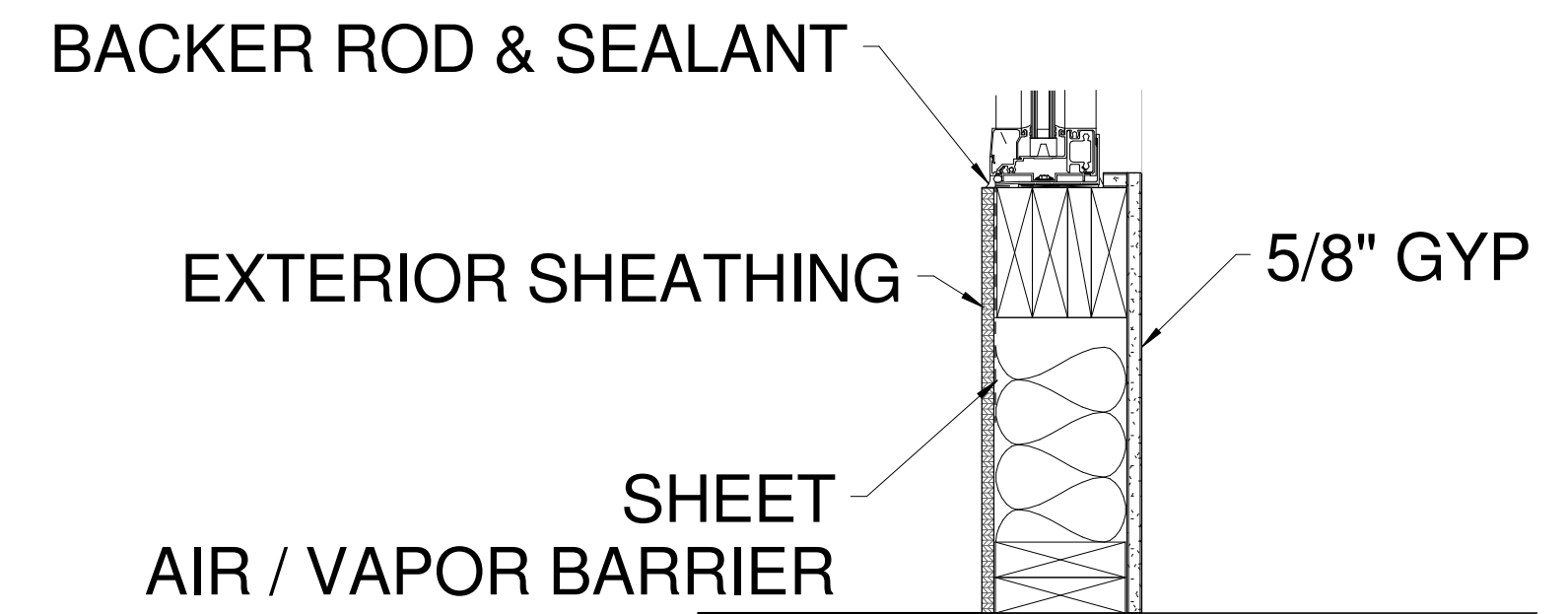
1 | FOX CT
1/4" = 1'-0"



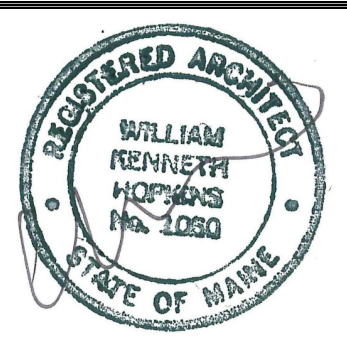
2 | 1ST FLOOR - FOX
1/4" = 1'-0"



4 | STOREFRONT HEAD
1 1/2" = 1'-0"



3 | STOREFRONT SILL
1 1/2" = 1'-0"



Prepared For:
10 Exchange Properties, LLC

Consultant:
ARCHETYPE architects
48 Union Wharf Portland, Maine 04101
(207) 772-6022 Fax (207) 772-4056

Project:
10 Exchange Street
8-28 Exchange Street Portland, Maine

Revisions:

Scale: As indicated

Date: 5-20-2015

FOX COURT

A2.02