

SUBMISSION REVIEW:

- Reviewed
- Reviewed with comments/corrections as noted
- Reviewed (Limited to coordination of consultant's design)
- Revise and Resubmit
- Rejected

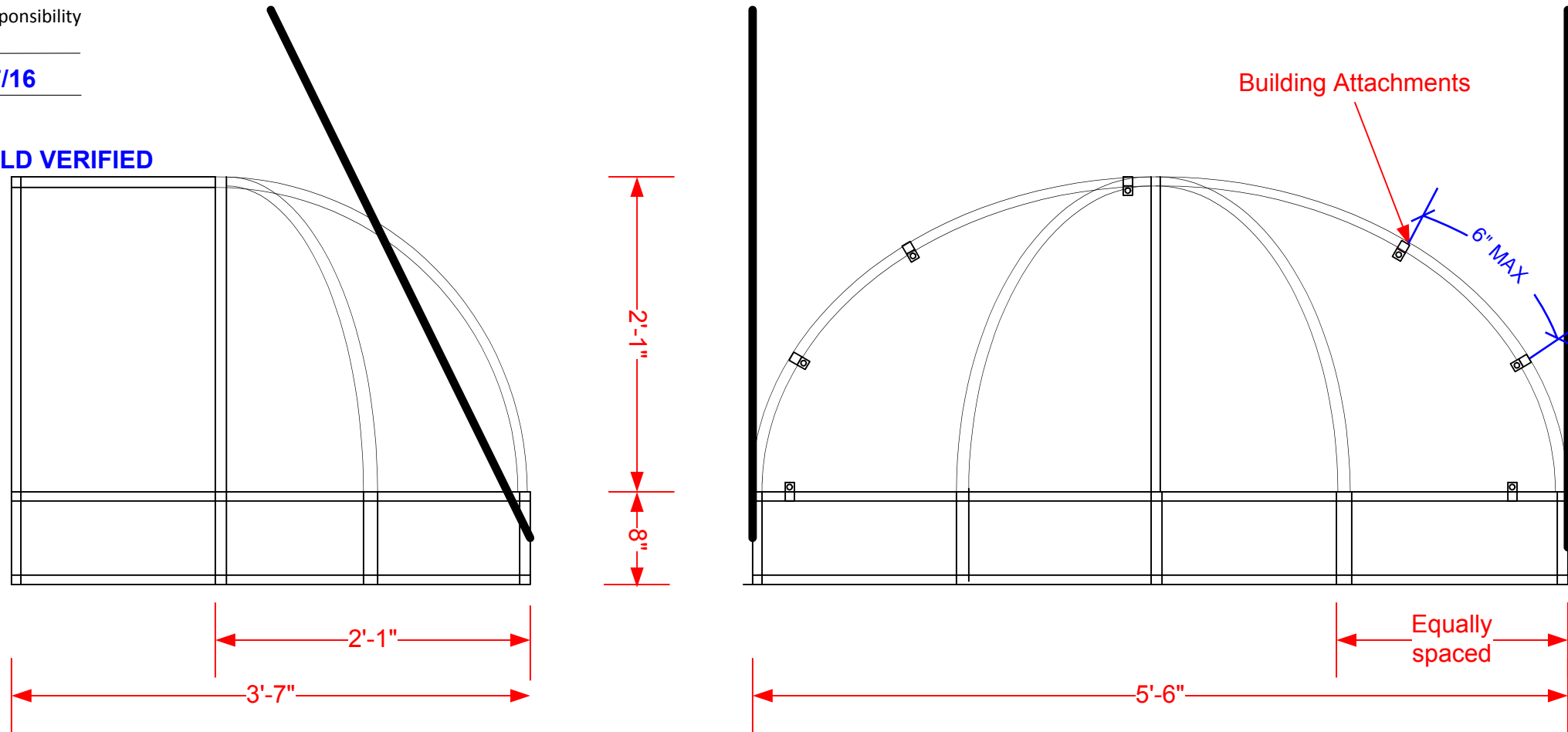
Architect's submittal is limited to reviewing consistency of information provided by the Fabricator / Supplier with the design intent identified in the Contract Documents. Means and methods are the responsibility of the fabricator / supplier.

By **denielle cordaro** Date **1/27/16**

Side Elevation

Front Elevation

ALL DIMENSIONS TO BE FIELD VERIFIED



- | | | | |
|---------------------|--------------------------|---------------------------|-------------------------------------|
| No Exceptions Taken | <input type="checkbox"/> | Make Corrections as Noted | <input checked="" type="checkbox"/> |
| Rejected | <input type="checkbox"/> | Revise & Resubmit | <input type="checkbox"/> |
| Not Reviewed | <input type="checkbox"/> | | |

Checking is only for general conformance with the design concept of the project and general compliance with the information given in the Contract Documents. Any action shown is subject to the requirements of the plans and specifications. Contractor is responsible for: Dimensions which shall be confirmed and correlated at the job site; fabrication process and techniques of construction; coordination of his work with that of all other trades and the satisfactory performance of his work.

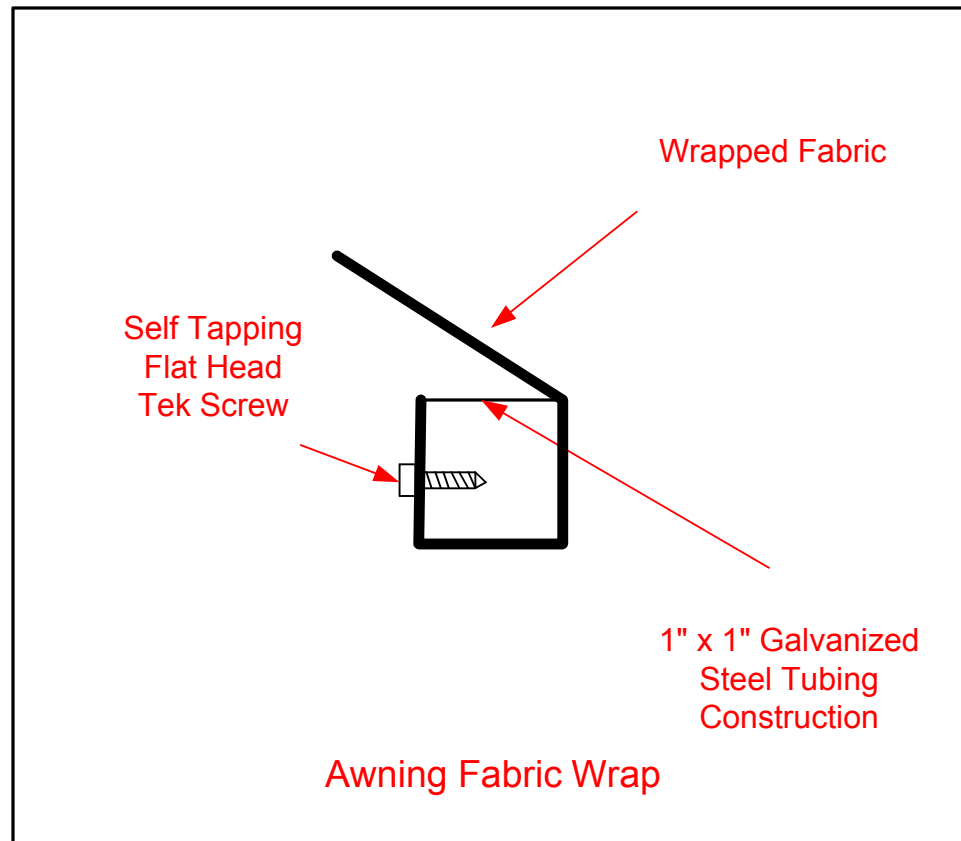
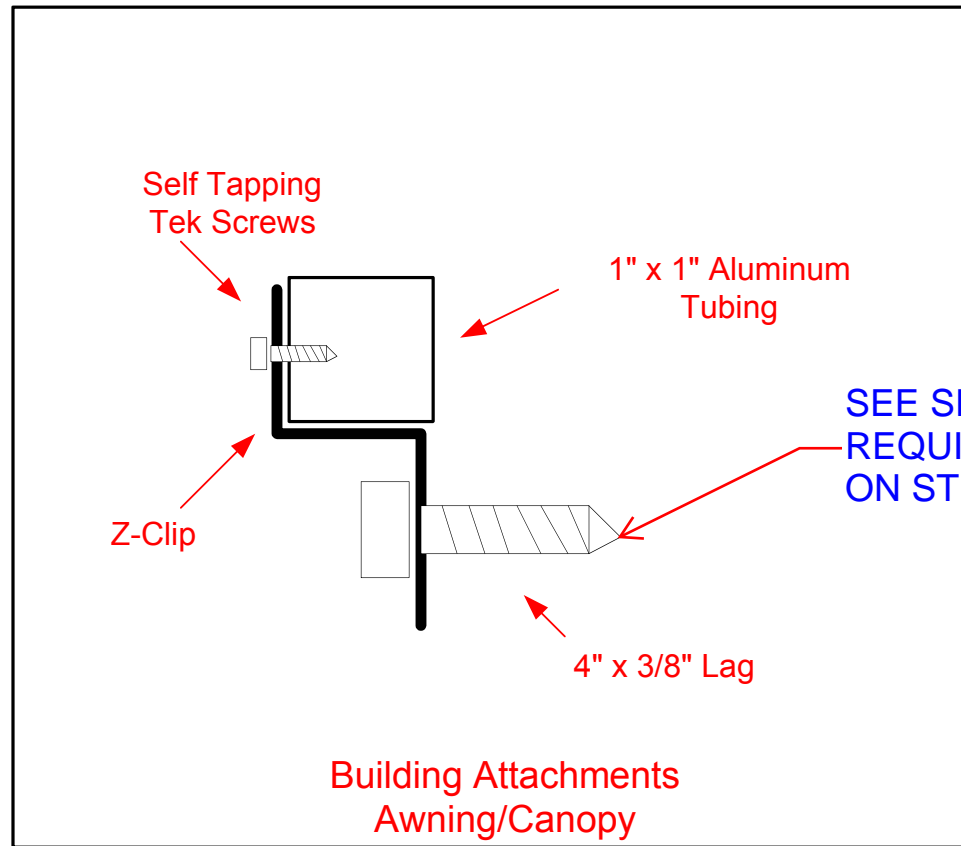
Armour Unsderfer Engineering Inc., P.S.
Date 1/26/16 By D Urrutia
AUE LOG NO. 2016-015

(781) 665 - 4040 phone
(781) 665 - 5234 fax
info@atlantic-awning.com

Shop Drawing
copyright 2016

1	REV A	1/15/16
---	-------	---------

Fatface
34 Exchange St
Portland



NOTES:

All measurements to be Verified In Field (VIF)

Awning Frame to be 1" x 1" square aluminum tubing, welded connections

Frames/Fabric may be constructed in multiple sections and assembled at installation to support transportation, accessibility, fabrication, painting, etc

Material:
Fabric: TBD

Frame Color: TBD