

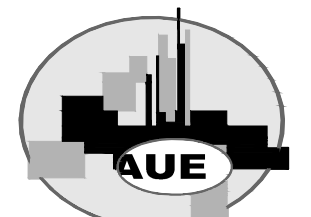
DESIGN REPUBLIC PARTNERS ARCHITECTS LLP
501 MADISON AVENUE 11th FLOOR NEW YORK, NEW YORK 10022
TELEPHONE 646 747 3730 WWW.DESIGNREPUBLIC.US.COM
ARCHITECTURE PLANNING DESIGN

CLIENT/OWNER/TENANT
FAT FACE LTD
1-3 RIDGEWAY HAVANT, PO9 1QJ
UNITED KINGDOM
CONTACT: DAVID LILLEY
TEL: 0044 2392 441100
E: DAVID.LILLEY@FATFACE.COM

DESIGNER
BOX OF FROGS LTD
2 WILLOW PARK STROKE POGES BUCKS SL2 4ES
CONTACT: SARAH MALCOM-RICHARDS
TEL: 007748606997
E: SARAH@BOXOFFROGS.WEB.COM

MEP ENGINEER
FISKAA
589 8TH AVENUE
NEW YORK, NY 10018
CONTACT: ERIC MARTINSEN
TEL: 212.736.9600
E: EMARTINSEN@FISKAA.COM

STRUCTURAL ENGINEER
ARMOUR UNSDERFER ENGINEERING INC. P.S.
555 116TH AVE NE, SUITE 118
BELLEVUE WA 98004
CONTACT: BRIAN UNSDERFER
TEL: 425.614.0949
E: brianu@au-eng.com



ARMOUR UNSDERFER
ENGINEERING INC., P.S.
555 116th AVE NE, SUITE 118
BELLEVUE, WA 98004
425 614-0949 / INFO@AU-ENG.COM
JOB NO: 15231

Issue	Date	Issue	Date
A. ISSUE FOR HISTORIC REVIEW	07/01/15		
B. ISSUE FOR LL REVIEW/PRELIM	07/10/15		
PRICING			
C. ISSUE FOR DEMO PERMIT	07/20/15		

Project
FAT FACE PORTLAND
34 EXCHANGE STREET
PORTLAND, ME 04104

Drawing Title
FIRST FRAMING PLAN

Project No.	Drawn By	Date	Scale
5063.02			

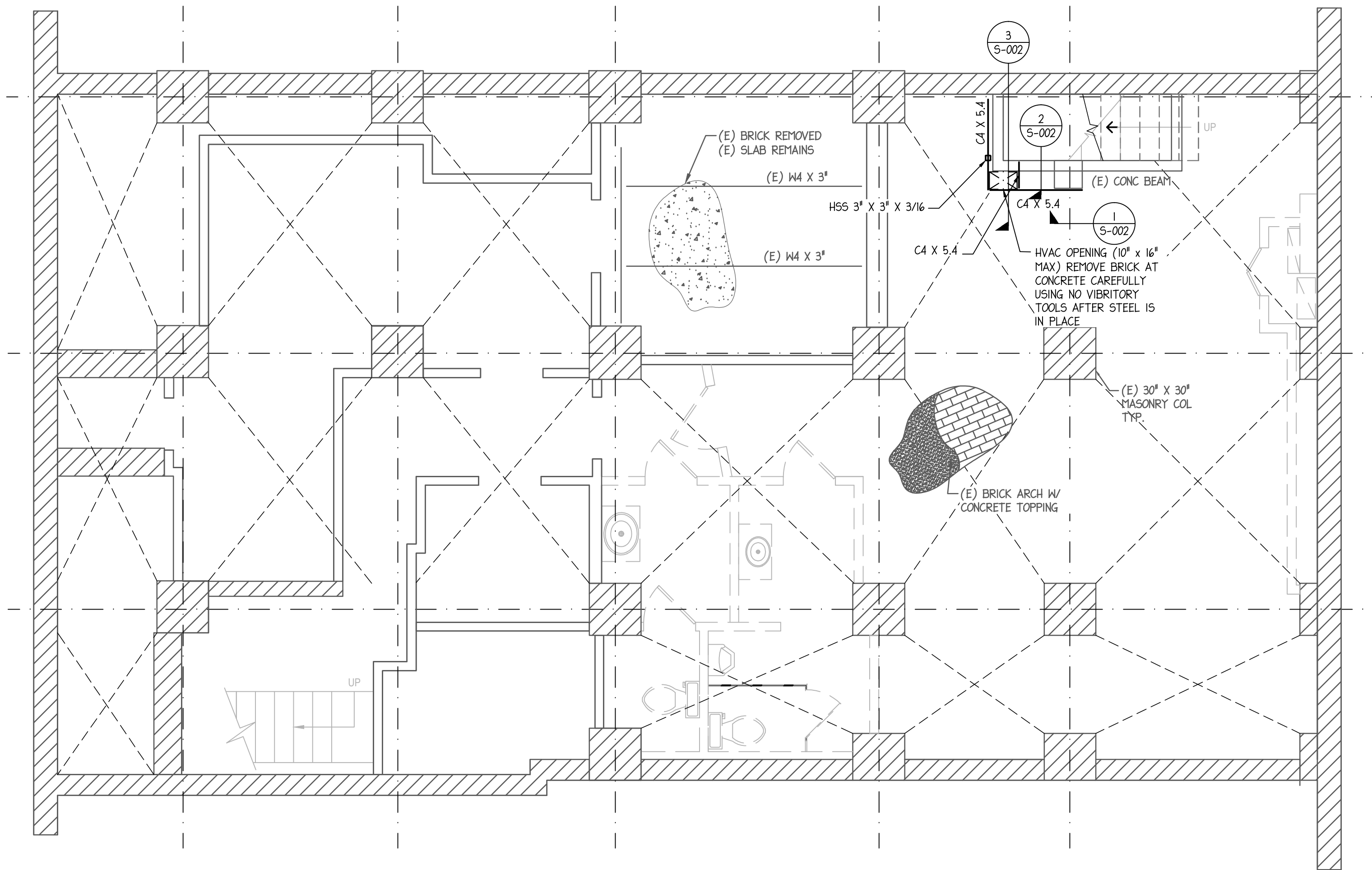
Seal

State of Maine
BRIAN J. UNSDERFER
No. 11494
LICENSED PROFESSIONAL ENGINEER

Floor(s)

Drawing No.
DS-002

09/08/2015

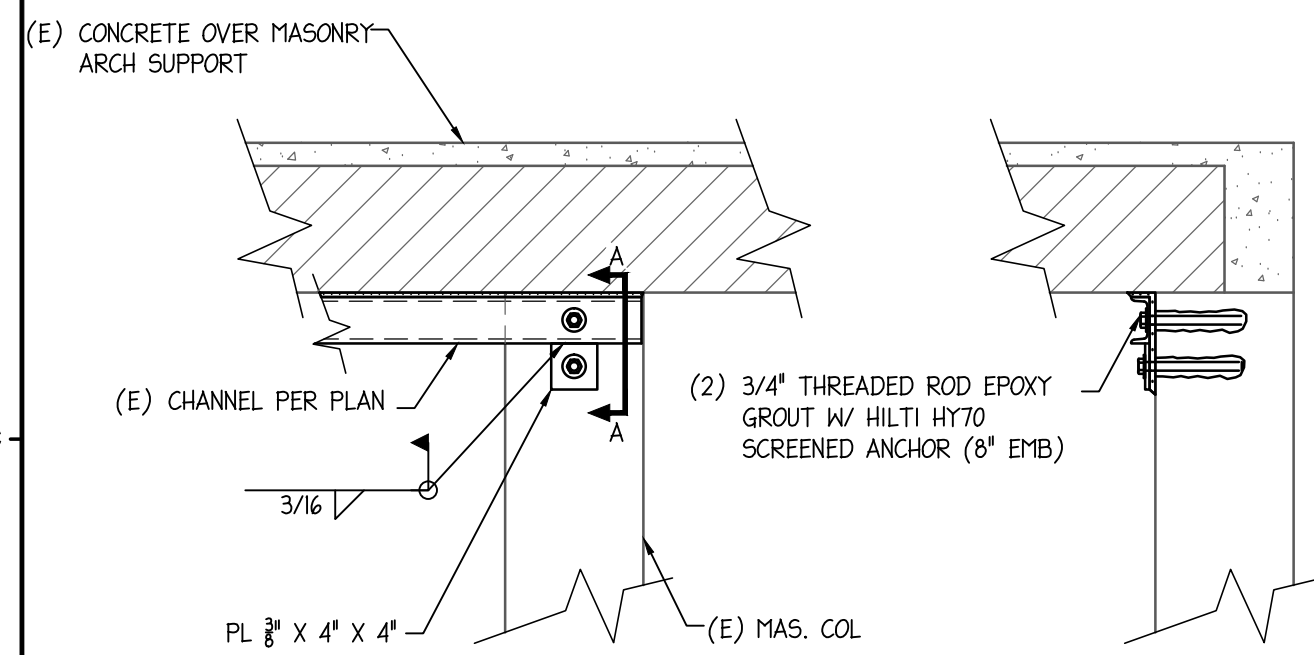


FIRST FLOOR FRAMING PLAN

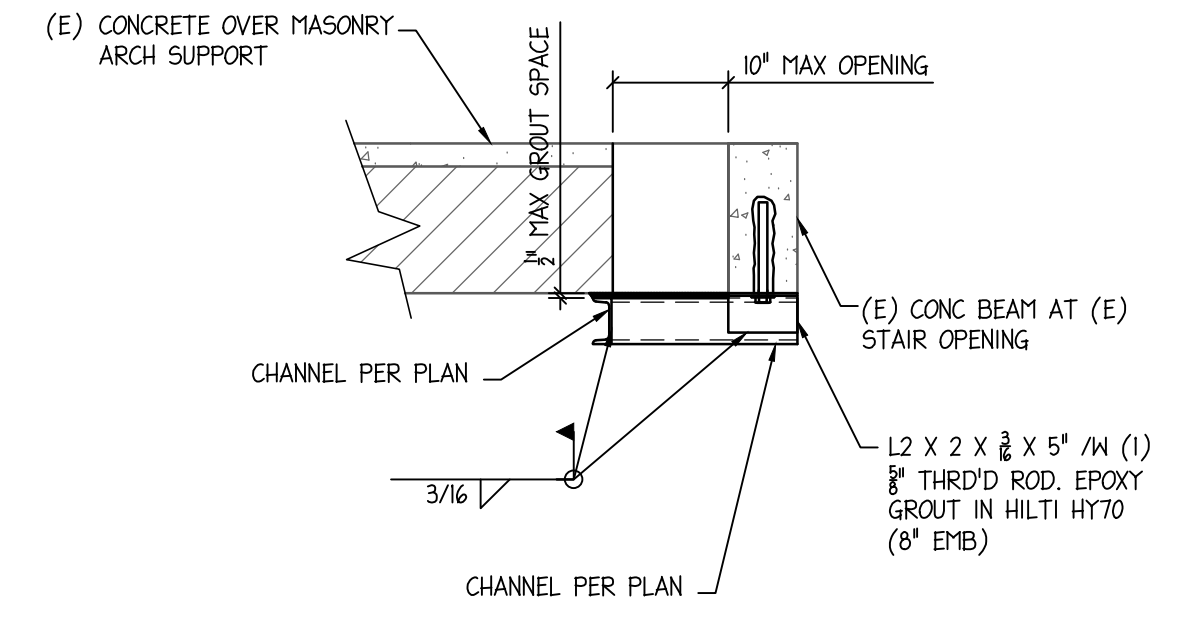
SCALE: 1/4"=1'-0"

NOTE:
THESE DRAWINGS ARE BASED ON A LIMITED AMOUNT OF INFORMATION FOR AN EXISTING BUILDING. CONTRACTOR MUST FIELD VERIFY CONDITIONS AND NOTIFY ARCHITECT AND ENGINEER IF CONDITIONS ARE OTHER THAN AS SHOWN PRIOR TO MODIFICATION.

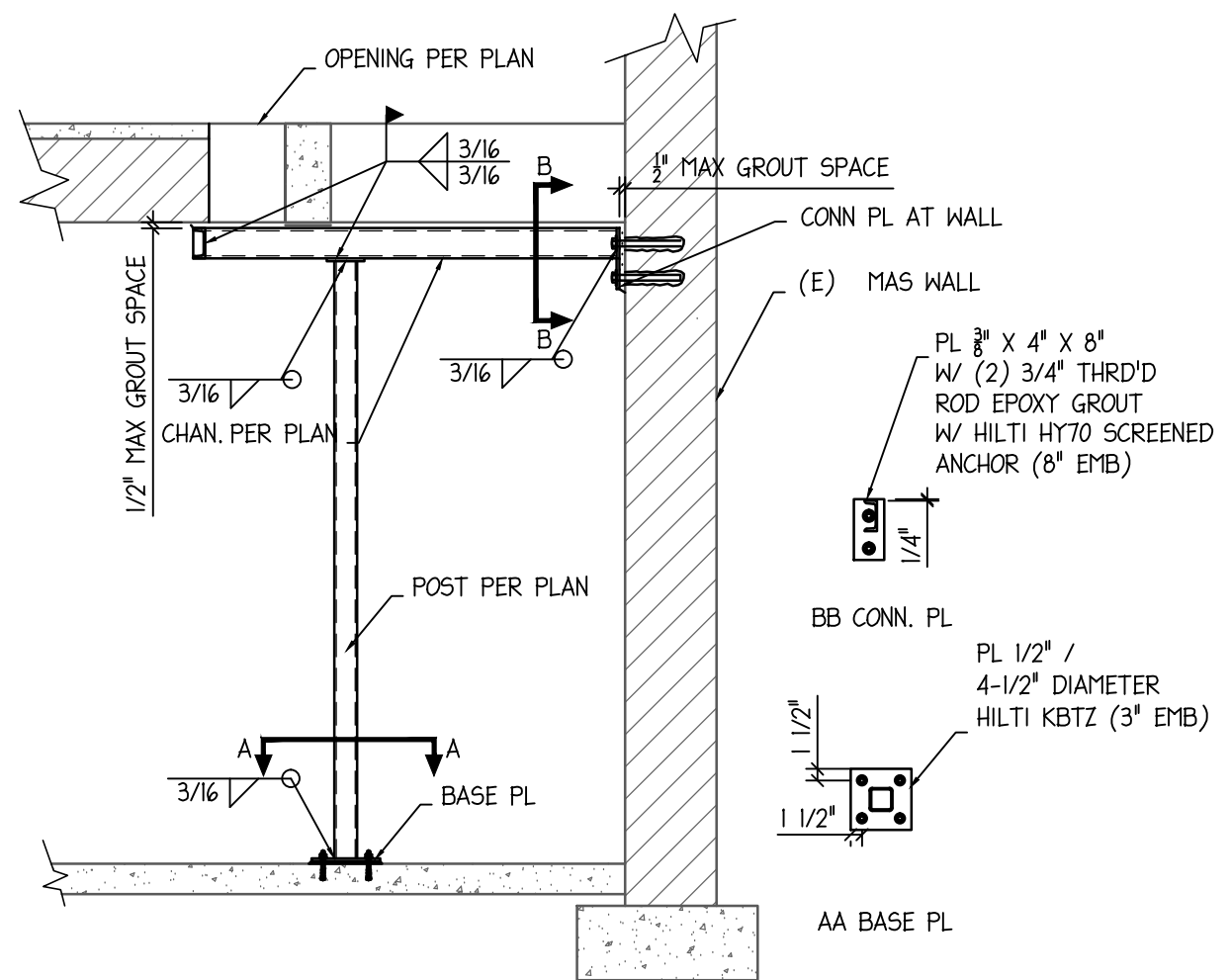
NOTE:
ALL DIMENSIONS SHOWN ON THESE STRUCTURAL PLANS ARE FOR GENERAL REFERENCE ONLY. THE CONTRACTOR IS RESPONSIBLE FOR VERIFYING ALL DIMENSIONS AND ANY DISCREPANCIES MUST BE BROUGHT TO THE ATTENTION OF THE ARCHITECT AND ENGINEER IMMEDIATELY.



1 CHANNEL TO (E) MAS. COL.
SCALE: 3/4"=1'-0"



2 CHANNEL CONN AT CONC. BM
SCALE: 3/4"=1'-0"



3 SECTION AT NEW POST & CHANNEL
SCALE: 1/2"=1'-0"