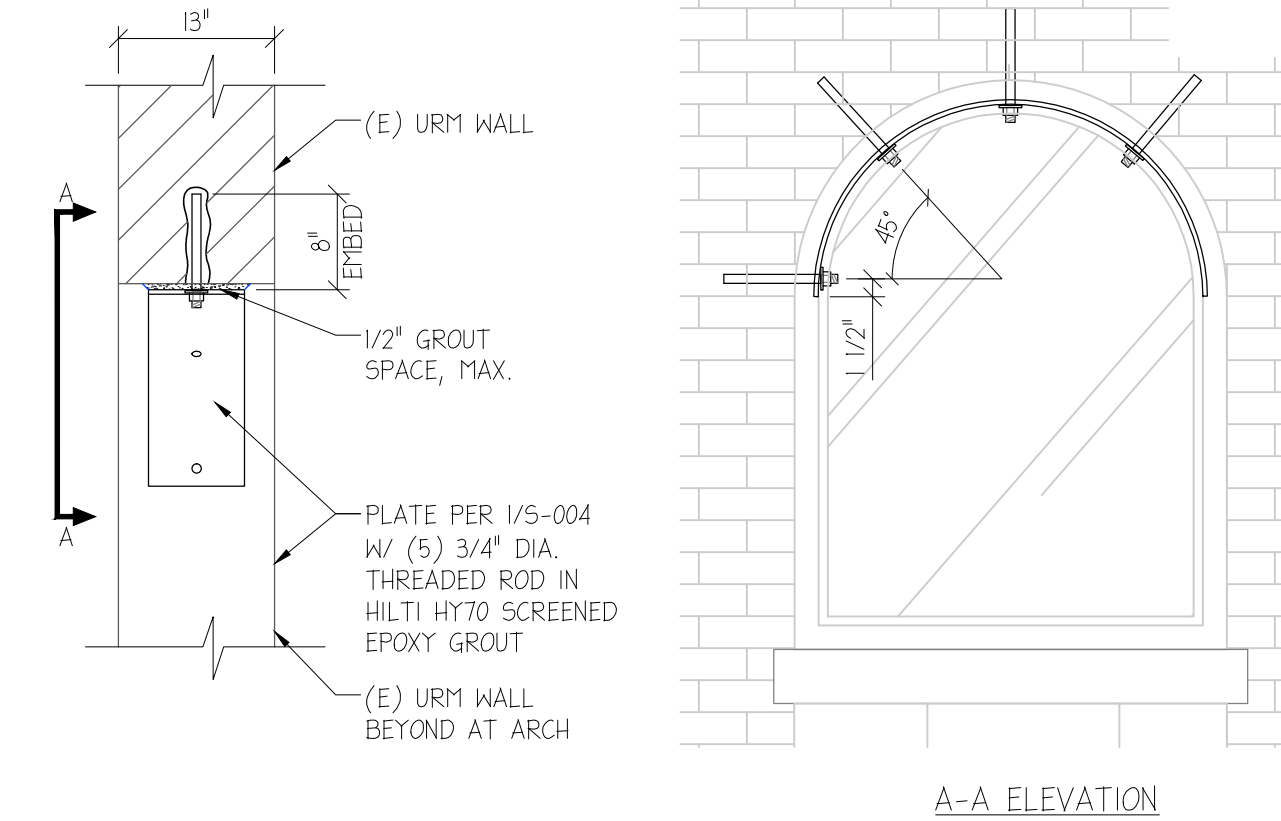
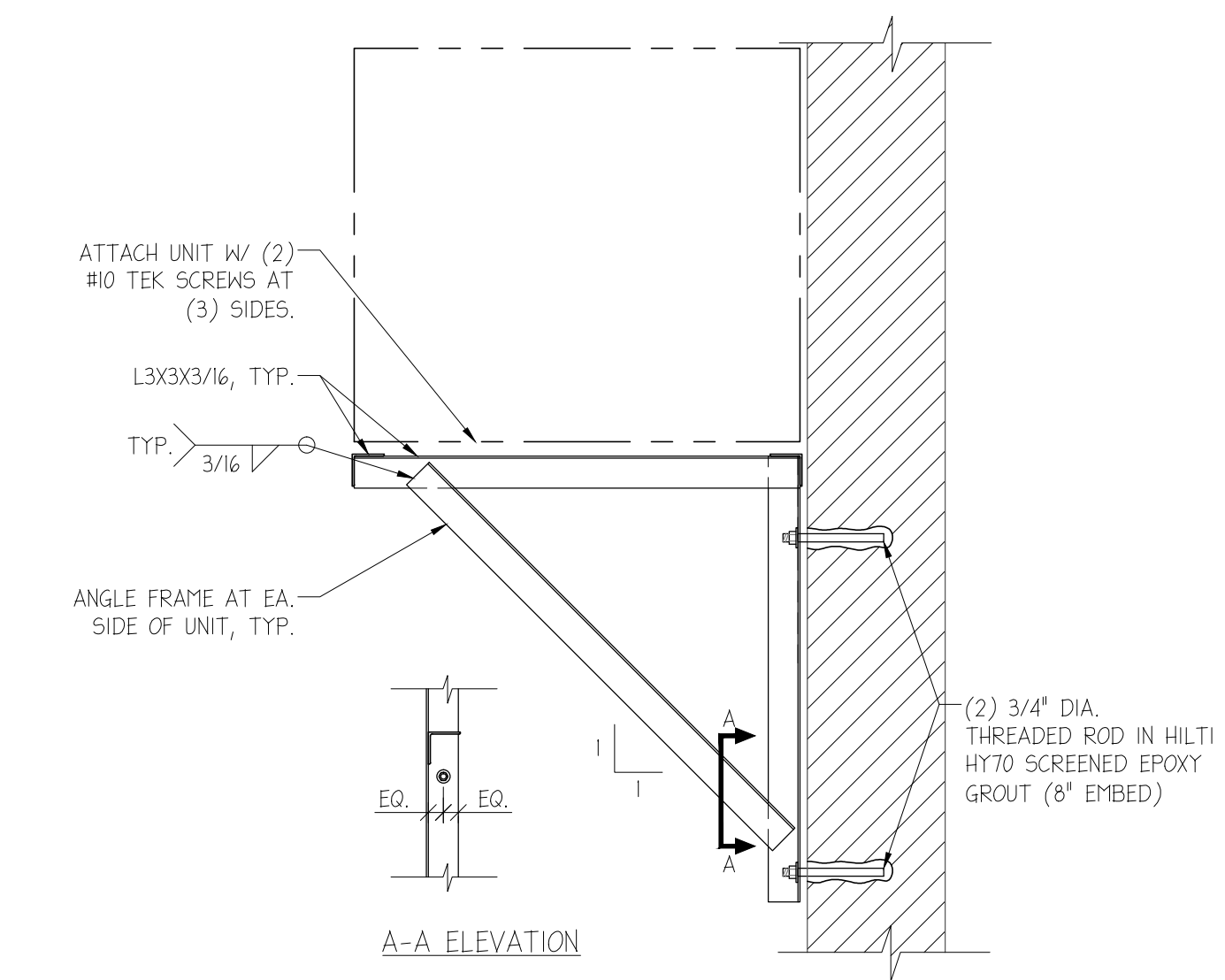


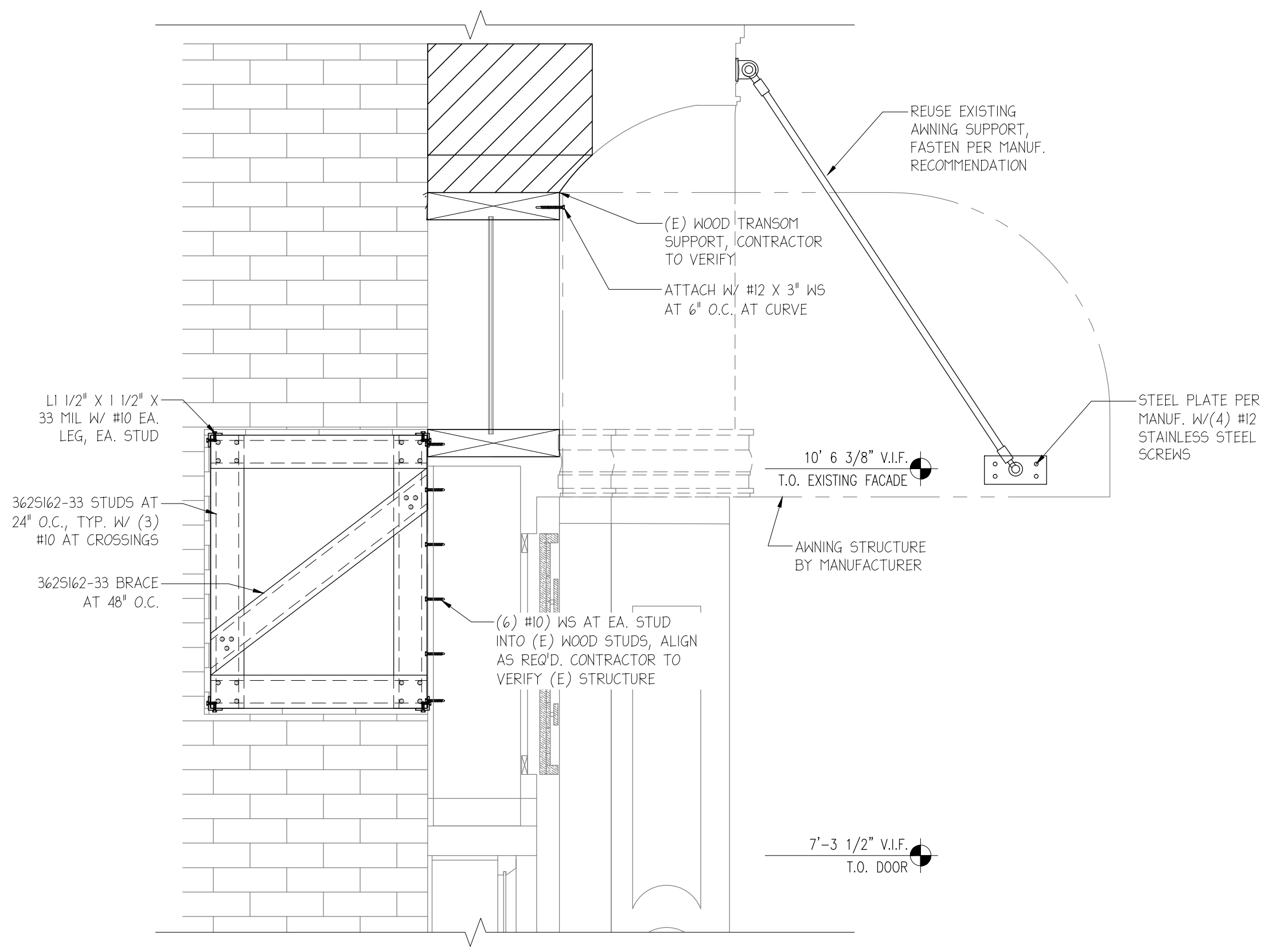
1 REAR STOREFRONT ELEVATION
5-004 SCALE: 1/4"=1'-0"



3 ARCH SUPPORT DETAIL
5-004 SCALE: 3/4"=1'-0"



4 MECHANICAL SUPPORT FRAME AT EXTERIOR WALL
5-004 SCALE: 3/4"=1'-0"



6 SECTION
5-004 SCALE: 1"=1'-0"

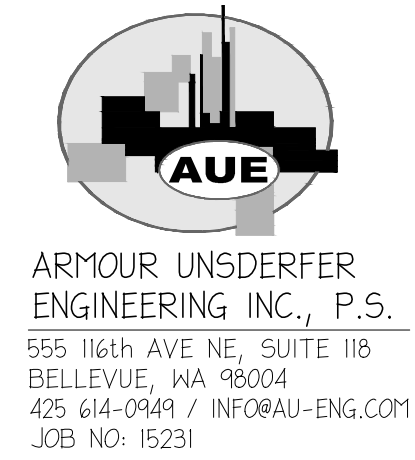
DESIGN REPUBLIC PARTNERS ARCHITECTS LLP
501 MADISON AVENUE 11TH FLOOR NEW YORK, NEW YORK 10022
TELEPHONE 646 747 3730 WWW.DESIGNREPUBLIC.US.COM
ARCHITECTURE PLANNING DESIGN

CLIENT/OWNER/TENANT
FAT FACE LTD
1-3 RIDGWAY HAVANT, PO9 1QJ
UNITED KINGDOM
CONTACT: DAVID LILLEY
TEL: 0044.2392.441100
E: DAVIDLILLEY@FATFACE.COM

DESIGNER
BOX OF FROGS LTD
2 WILLOW PARK STROKE POGES BUCKS SL2 4ES
CONTACT: SARAH MALCOM-RICHARDS
TEL: 007748608997
E: SARAH@BOXOFFROGS.WEB.COM

MEP ENGINEER
FISKAA
589 8TH AVENUE
NEW YORK, NY, 10018
CONTACT: ERIC MARTINSEN
TEL: 212.736.9500
E: EMARTINSEN@FISKAA.COM

STRUCTURAL ENGINEER
ARMOUR UNSDERFER ENGINEERING INC., P.S.
555 116TH AVE NE, SUITE 118
BELLEVUE WA 98004
CONTACT: BRIAN UNSDERFER
TEL: 425.614.0949
E: brianu@au-eng.com



Issue	Date	Issue	Date
A. ISSUE FOR HISTORIC REVIEW	07/01/15	Δ ISSUE FOR HISTORIC REVIEW	07/16/15
B. ISSUE FOR LL REVIEW/PRELIM	07/10/15	Δ ISSUE FOR HISTORIC REVIEW	07/23/15
PRICING			
C. ISSUE FOR DEMO PERMIT	07/20/15		
D. ISSUE FOR PERMIT	07/24/15		

Project
FAT FACE PORTLAND
34 EXCHANGE STREET
PORTLAND, ME 04104

Drawing Title
DETAILS

Project No. 5063.02 Drawn By Floor(s)

Date Scale

Seal

Drawing No. S-004