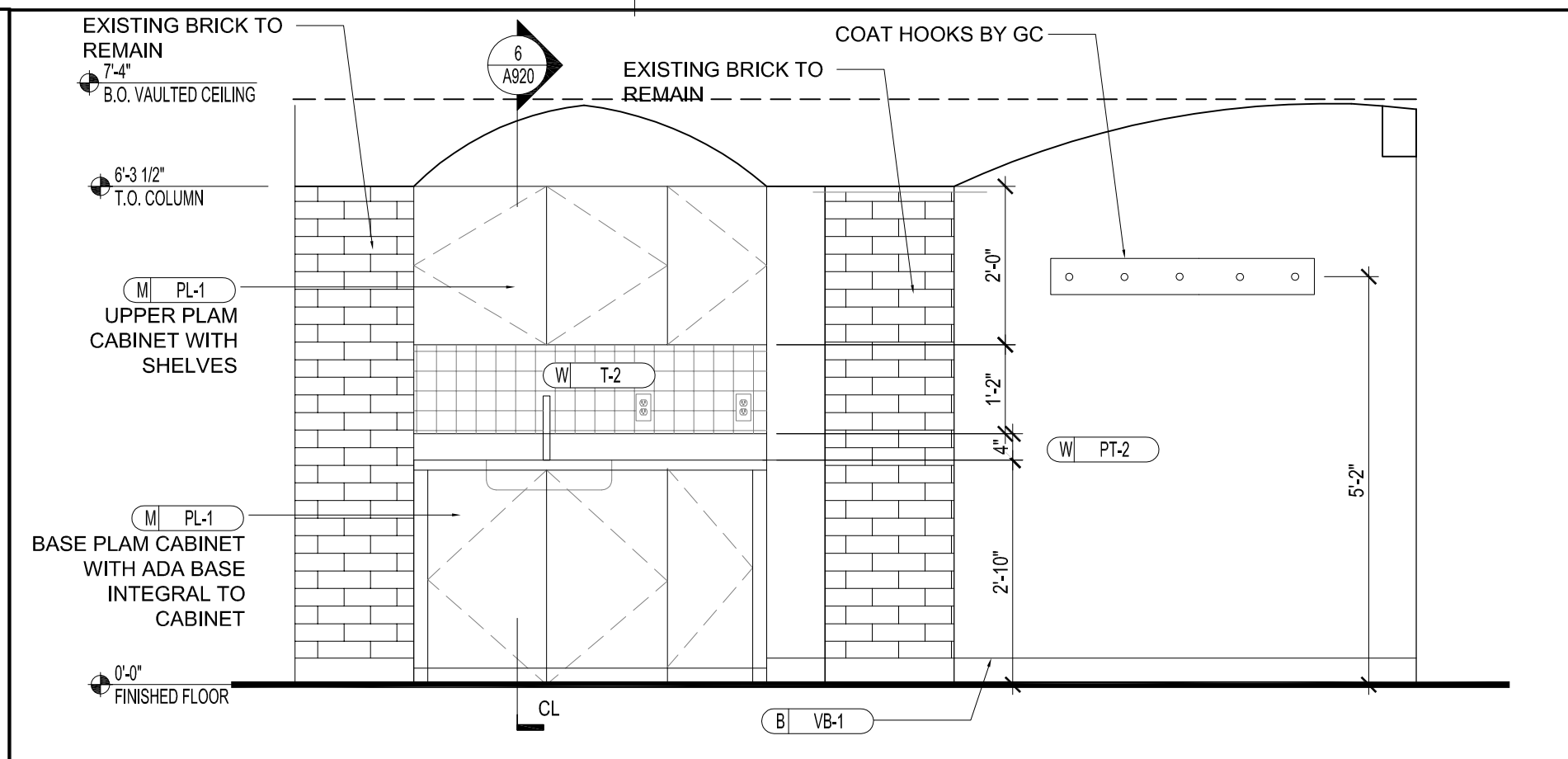
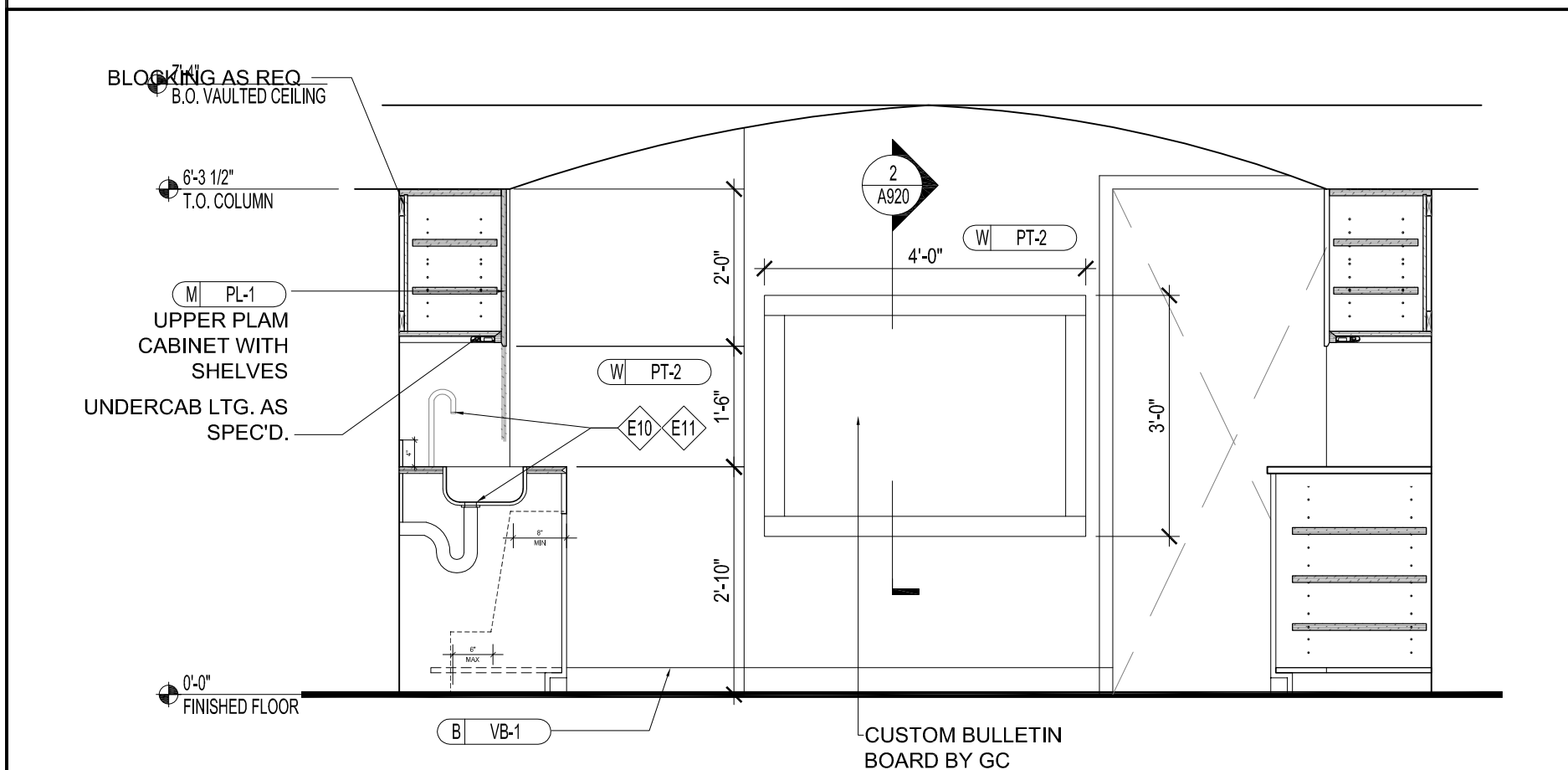
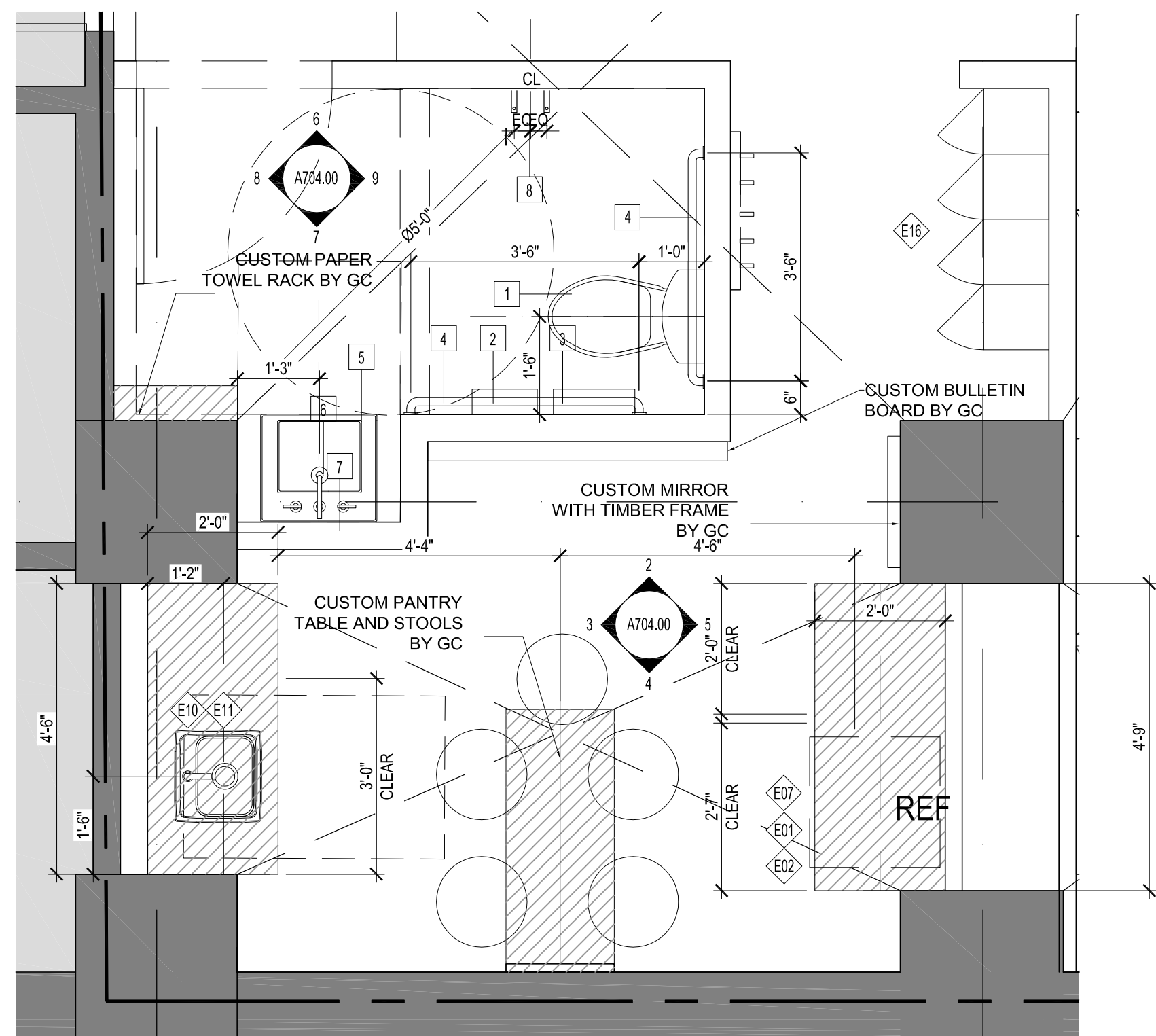


SCHEDULE OF FIXTURES

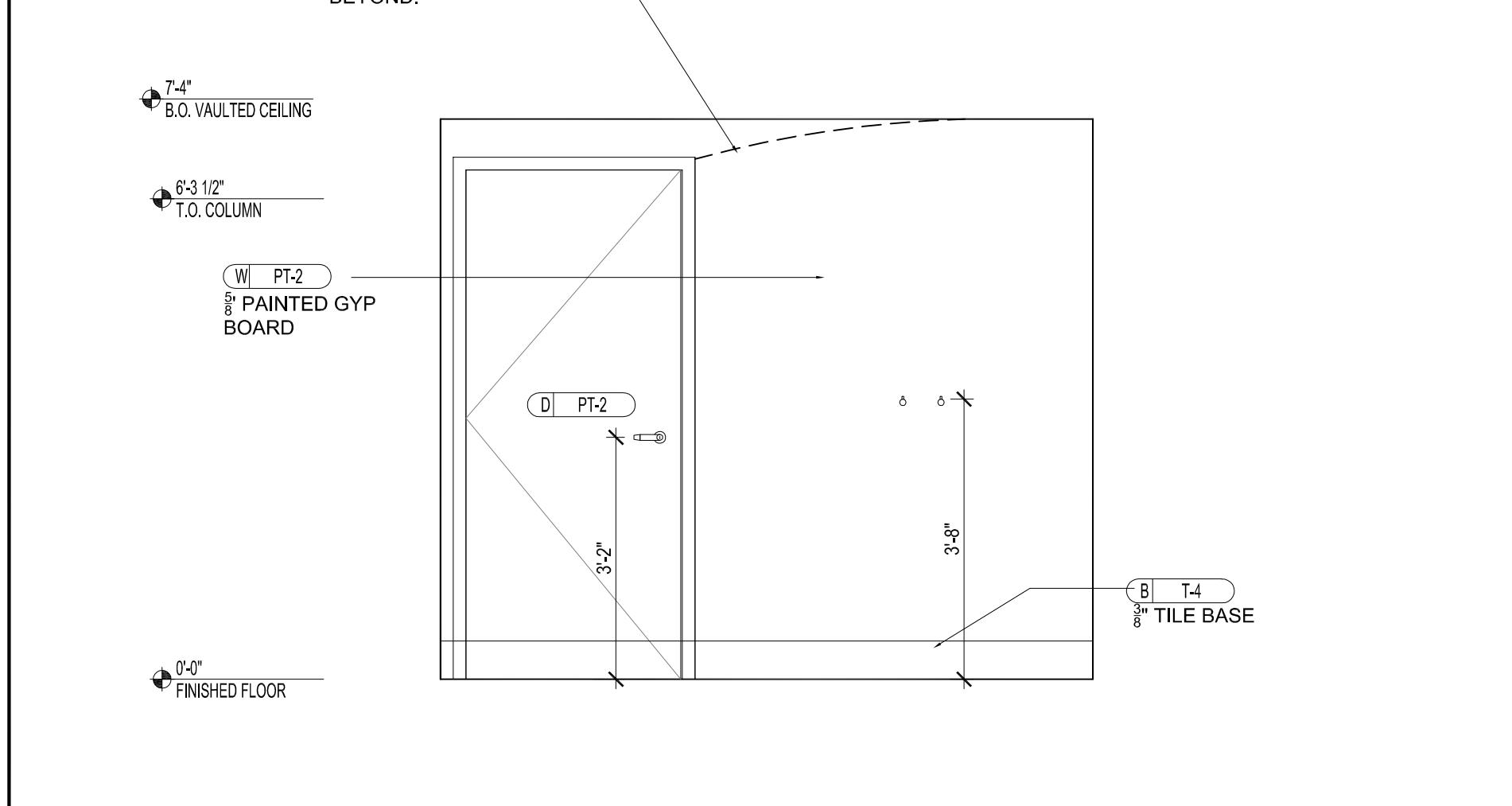
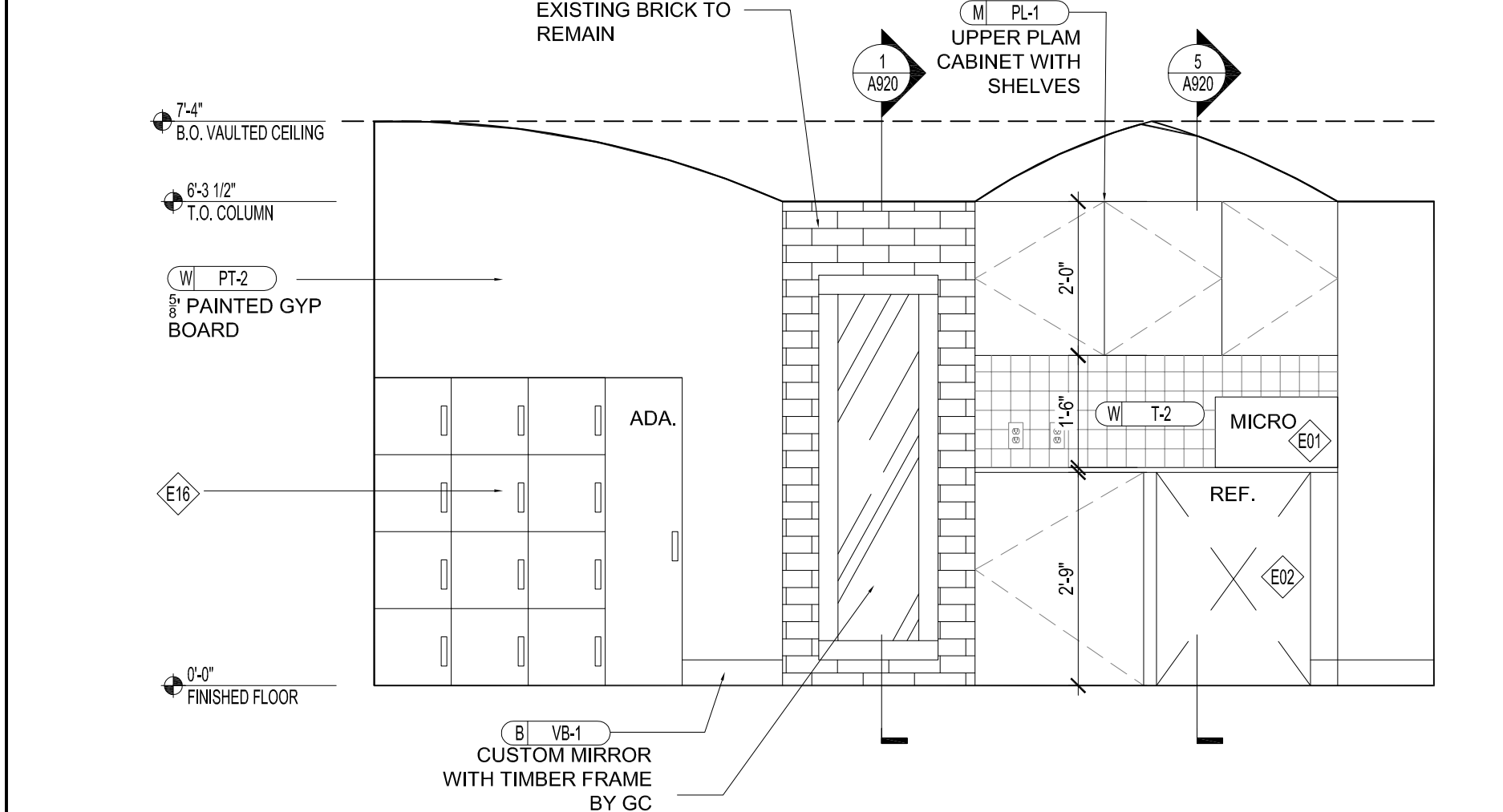
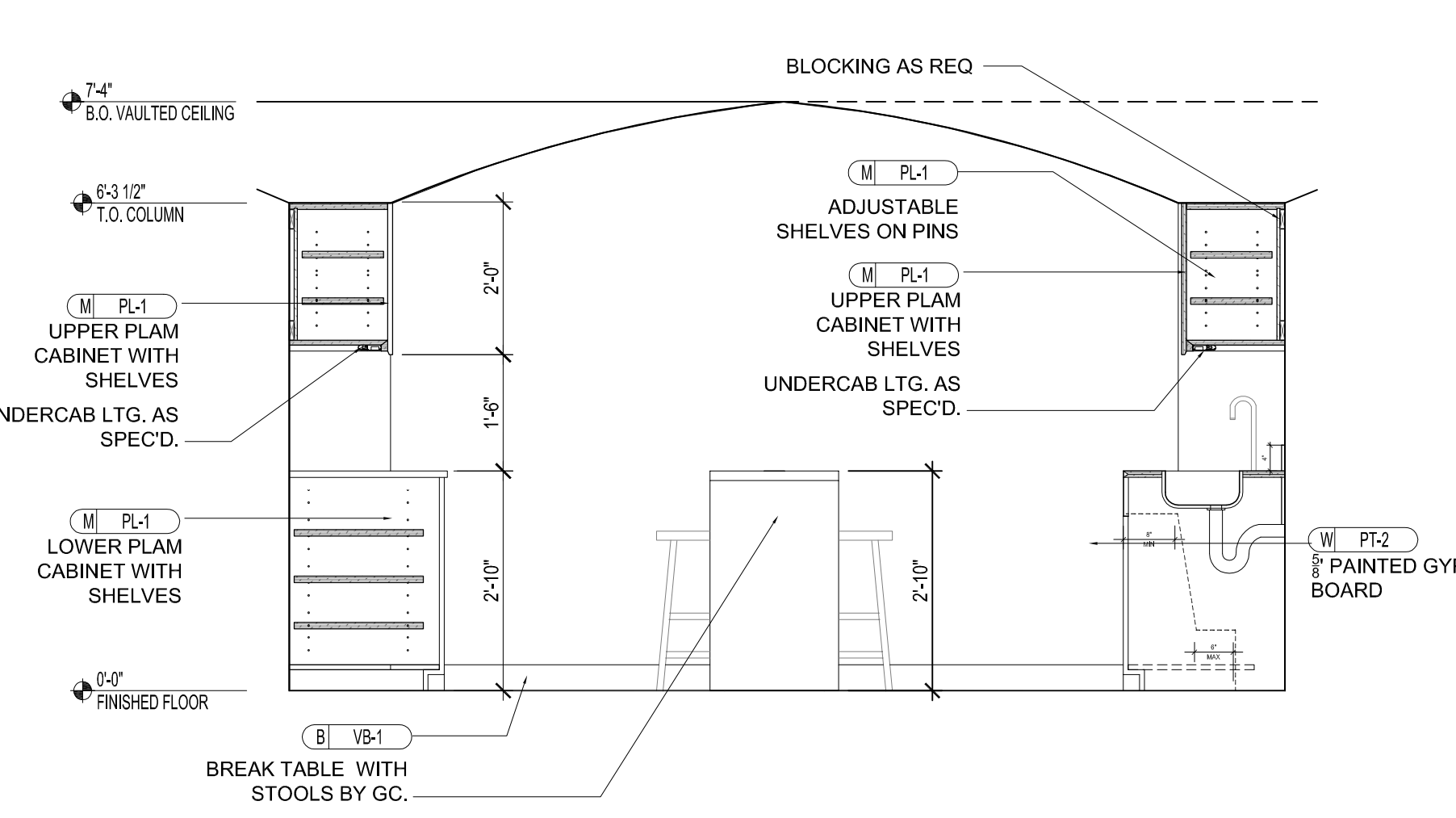
CODE	DESCRIPTION	COLOR	MANUFACTURER	MODEL NUMBER
1	FLOOR MOUNTED TOILET	WHITE	KOHLER	K3609 WITH K4660
2	SURFACE MOUNTED DOUBLE-ROLL TOILET TISSUE DISPENSER WITH HOODS	SATIN FIN. STAINLESS STEEL	BOBRICK	B-69997
3	SURFACE MOUNTED SEAT-COVER DISPENSER	SATIN FIN. STAINLESS STEEL	BOBRICK	B-4221 CONTURA SERIES
4	GRAB BAR CONCEALED MOUNTING -ADA COMPLIANT 36" AND 42"		BOBRICK	B6806X30 AND B 6806X42
5	WALL HUNG LAVATORY :	WHITE	AMERICAN STANDARD	COMRAD
6	FAUCET	POLISHED CHROME	AMERICAN STANDARD	MONTERREY
7	CUSTOM MIRROR			
8	POST HOOK PAIR	SATIN FIN. STAINLESS STEEL	MOCKET	HK2A-SSS



1 INTERIOR ELEVATION SCALE: 1/2" = 1'-0"

2 RESTROOM ELEVATION SCALE: 1/2" = 1'-0"

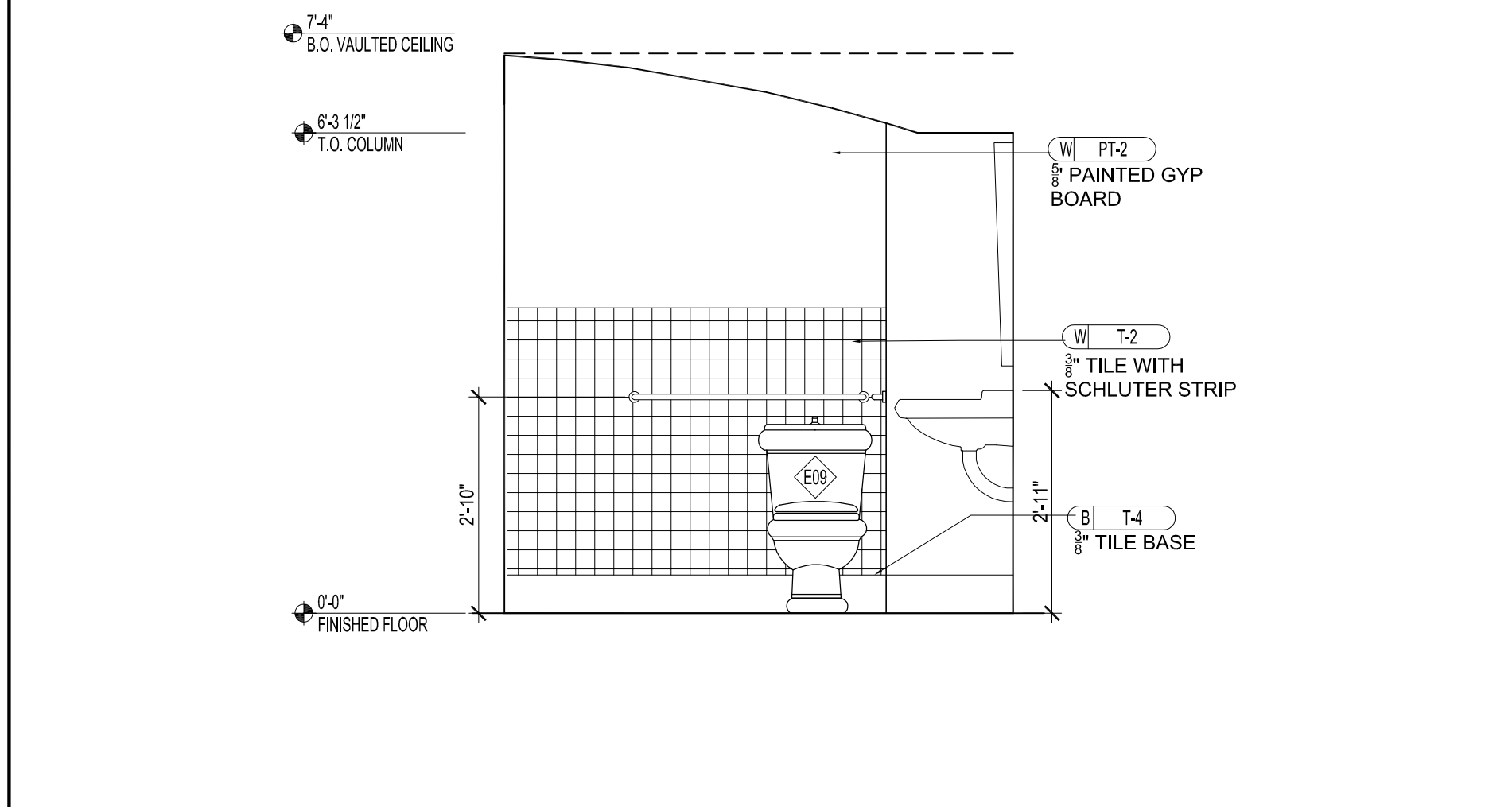
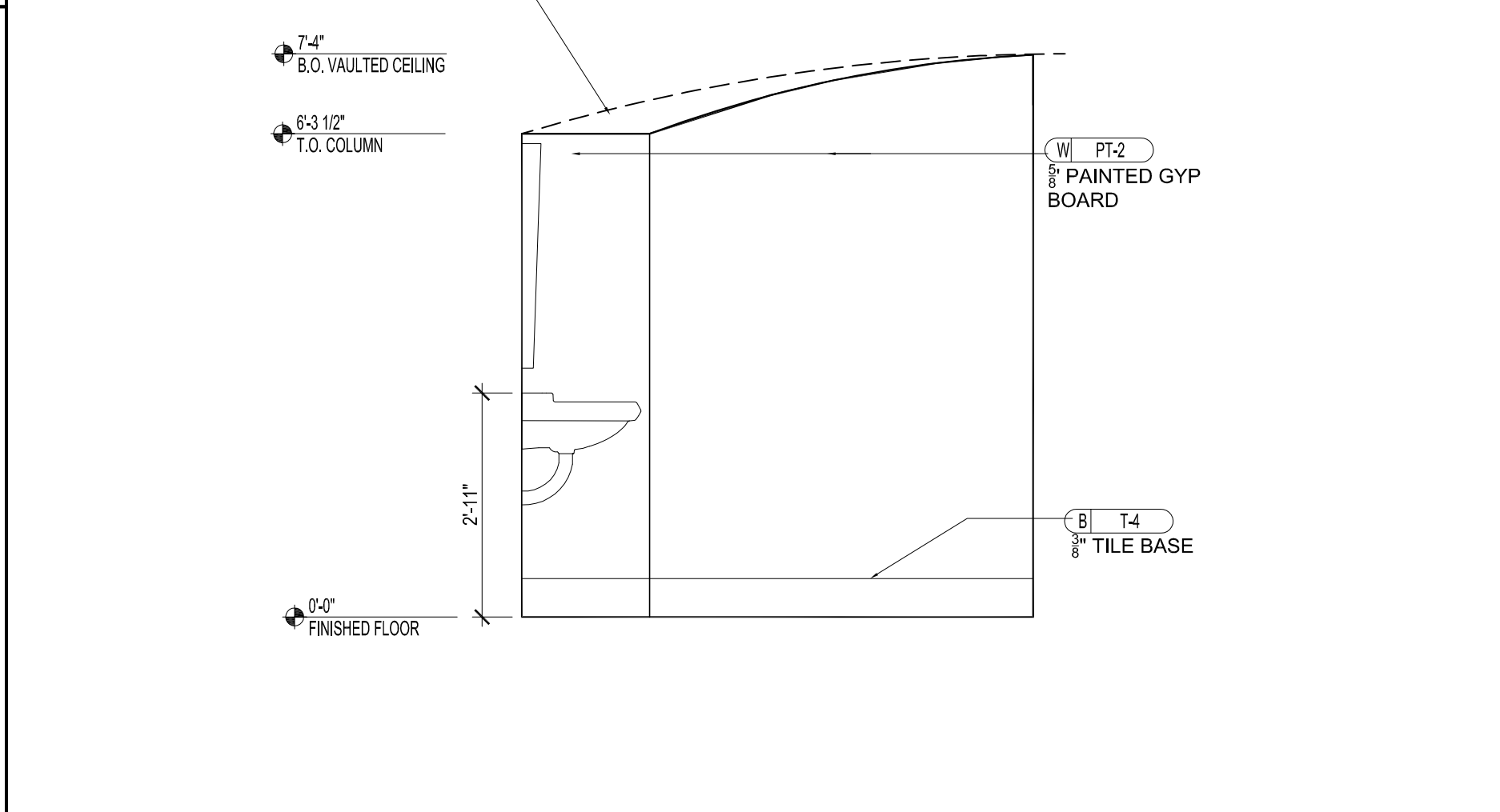
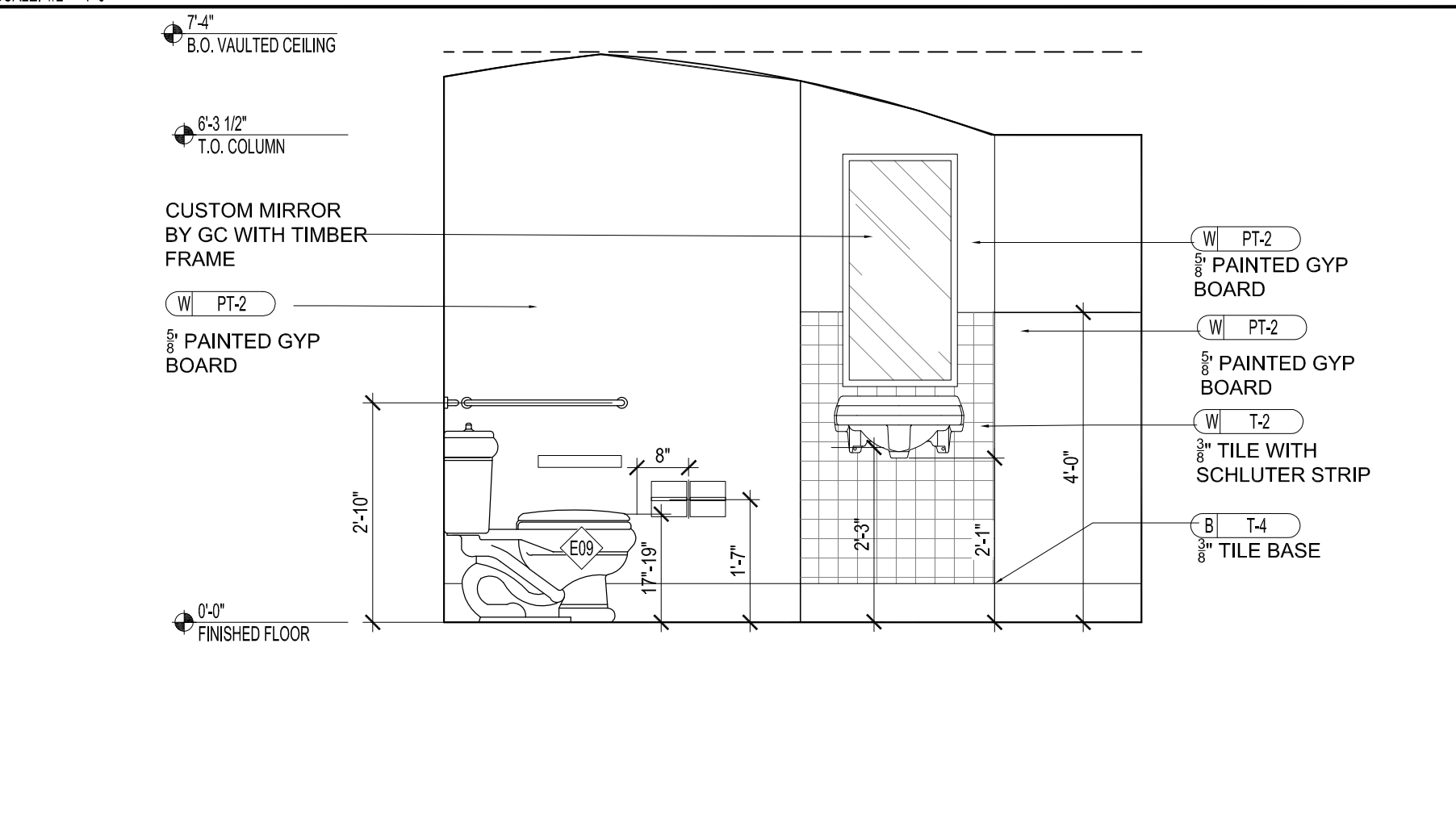
3 RESTROOM ELEVATION SCALE: 1/2" = 1'-0"



5 RESTROOM ELEVATION SCALE: 1/2" = 1'-0"

6 RESTROOM ELEVATION SCALE: 1/2" = 1'-0"

4 RESTROOM ELEVATION SCALE: 1/2" = 1'-0"



8 RESTROOM ELEVATION SCALE: 1/2" = 1'-0"

9 RESTROOM ELEVATION SCALE: 1/2" = 1'-0"

DESIGN REPUBLIC PARTNERS ARCHITECTS LLP
 501 MADISON AVENUE 11th FLOOR NEW YORK, NEW YORK 10022
 TELEPHONE 646 747 3730 WWW.DESIGNREPUBLIC.US.COM
 ARCHITECTURE PLANNING DESIGN

CLIENT/OWNER/TENANT
 FAT FACE LTD
 1-3 RIDGWAY HAVANT, PO9 1JQ
 UNITED KINGDOM
 CONTACT: DAVID LILLEY
 TEL: 0044 2392 441100
 E: DAVID.LILLEY@FATFACE.COM

DESIGNER
 BOX OF FROGS LTD
 2 WILLOW PARK STROKE POGES BUCKS SL2 4ES
 CONTACT: SARAH MALCOM-RICHARDS
 TEL: 00748609697
 E: SARAH@BOXOFFROGS.WEB.COM

MEP ENGINEER
 FISKA
 589 8TH AVENUE
 NEW YORK, NY, 10018
 CONTACT: ERIC MARTINSEN
 TEL: 212.736.9600
 E: EMARTINSEN@FISKA.COM

STRUCTURAL ENGINEER
 ARMOUR UNSDERFER ENGINEERING INC. P.S.
 555 116TH AVE NE, SUITE 116
 BELLEVUE WA 98004
 CONTACT: BRIAN UNSDERFER
 TEL: 425.614.0949
 E: brianu@au-eng.com

Issue	Date	Issue	Date
A. ISSUE FOR HISTORIC REVIEW	07/01/15	Δ ISSUE FOR HISTORIC REVIEW	07/16/15
B. ISSUE FOR LL REVIEW/PRELIM	07/10/15	Δ ISSUE FOR HISTORIC REVIEW	07/23/15

PRICING

Issue	Date
C. ISSUE FOR DEMO PERMIT	07/20/15
D. ISSUE FOR PERMIT	07/24/15

Project
FAT FACE PORTLAND
 34 EXCHANGE STREET
 PORTLAND, ME 04104

Drawing Title
RESTROOM AND PANTRY
 ENLARGED PLAN
 AND ELEVATIONS

Project No.	Drawn By	Date	Scale
5063.02	--	--	1/2"=1'-0"

Seal (Floor(s)) **BASEMENT**

Drawing No. **A-704.00**