

DESIGN REPUBLIC PARTNERS ARCHITECTS LLP
501 MADISON AVENUE 11th FLOOR NEW YORK, NEW YORK 10022
TELEPHONE 646 747 3730 WWW.DESIGNREPUBLIC.US.COM
ARCHITECTURE PLANNING DESIGN

CLIENT/OWNER/TENANT
FAT FACE LTD
1-3 RIDGWAY HAVANT, PO9 1QJ
UNITED KINGDOM
CONTACT: DAVID LILLEY
TEL: 0044 2392 441100
E: DAVID.LILLEY@FATFACE.COM

DESIGNER
BOX OF FROGS LTD
2 WILLOW PARK STOKES PAGES BUCKS SL2 4ES
CONTACT: SARAH MALCOM-RICHARDS
TEL: 007748609897
E: SARAH@BOXOFFROGS.WEB.COM

MEP ENGINEER
FISKAA
589 8TH AVENUE
NEW YORK, NY, 10018
CONTACT: ERIC MARTINSEN
TEL: 212.736.9600
E: EMARTINSEN@FISKAA.COM

STRUCTURAL ENGINEER
ARMOUR UNSDERFER ENGINEERING INC. P.S.
555 116TH AVE NE, SUITE 118
BELLEVUE WA 98004
CONTACT: BRIAN UNSDERFER
TEL: 425.614.0949
E: brianu@au-eng.com

Issue	Date	Issue	Date
A. ISSUE FOR HISTORIC REVIEW	07/01/15	△ ISSUE FOR HISTORIC REVIEW	07/16/15
B. ISSUE FOR LL REVIEW/PRELIM	07/10/15	△ ISSUE FOR HISTORIC REVIEW	07/23/15
PRICING			
C. ISSUE FOR DEMO PERMIT	07/20/15		
D. ISSUE FOR PERMIT	07/24/15		


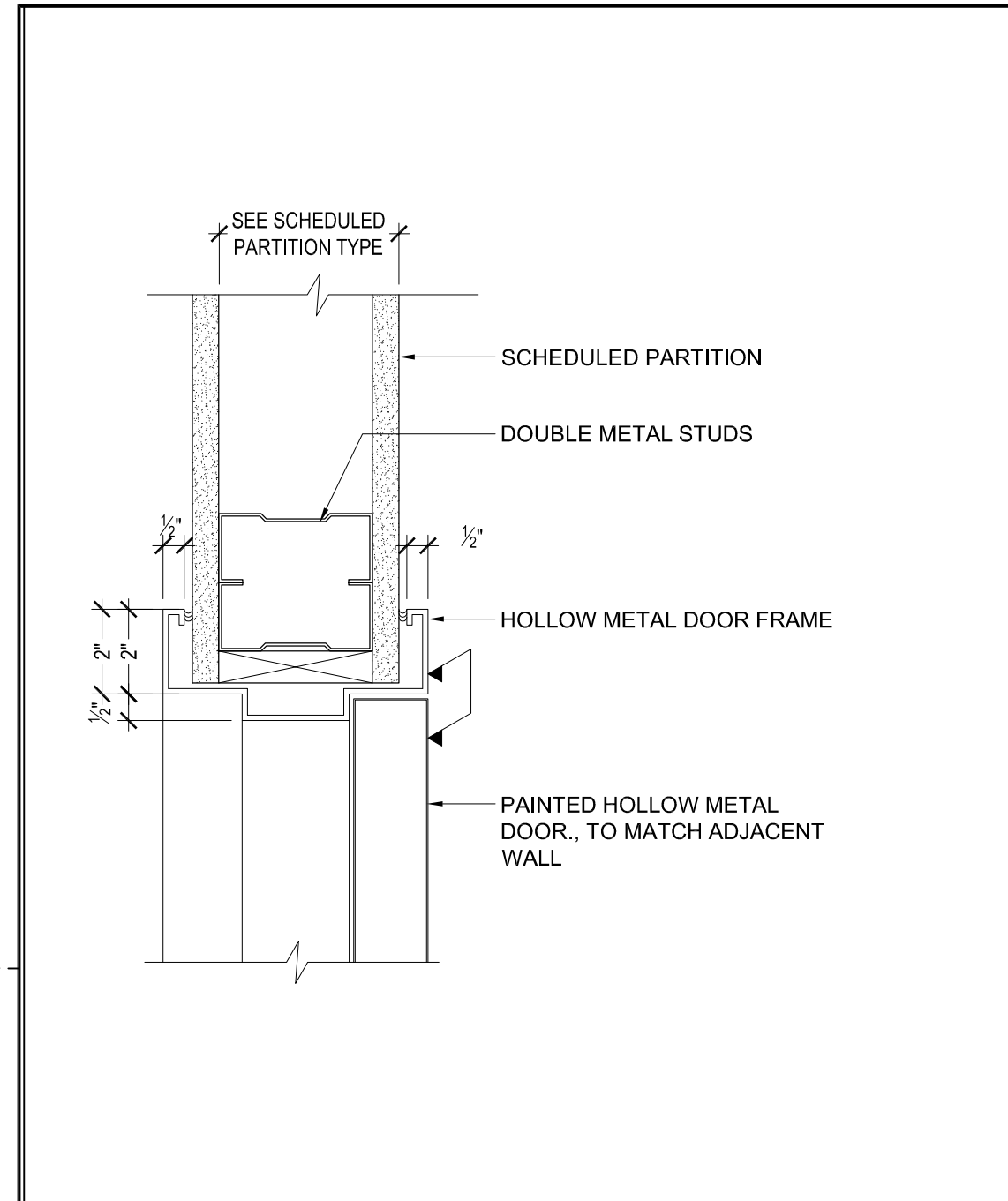
Project
FAT FACE PORTLAND
34 EXCHANGE STREET
PORTLAND, ME 04104

Drawing Title
DOOR DETAILS

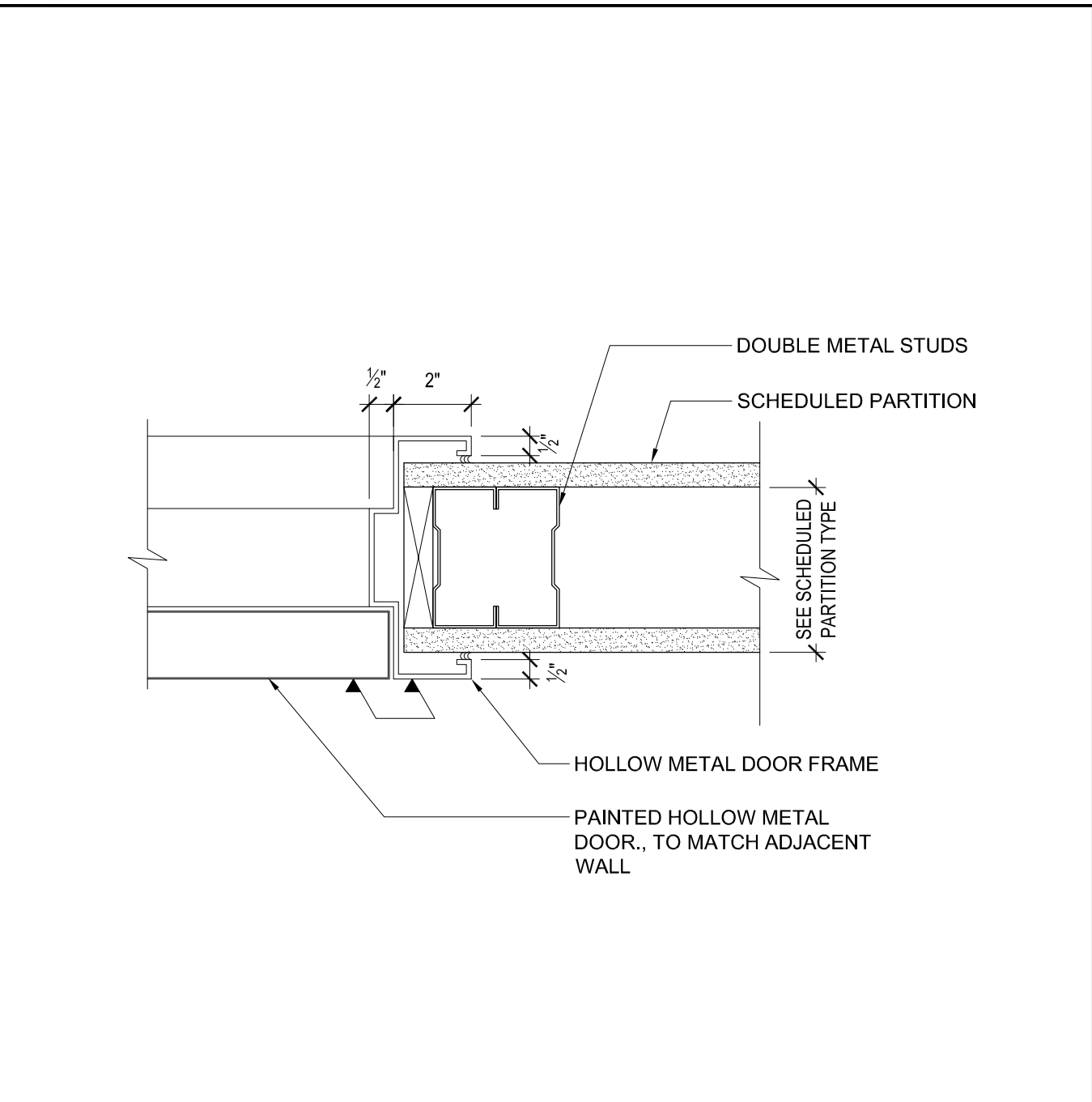
Project No.	Drawn By	Date	Scale
5063.02	--	--	VARIES

Seal (Floor(s))

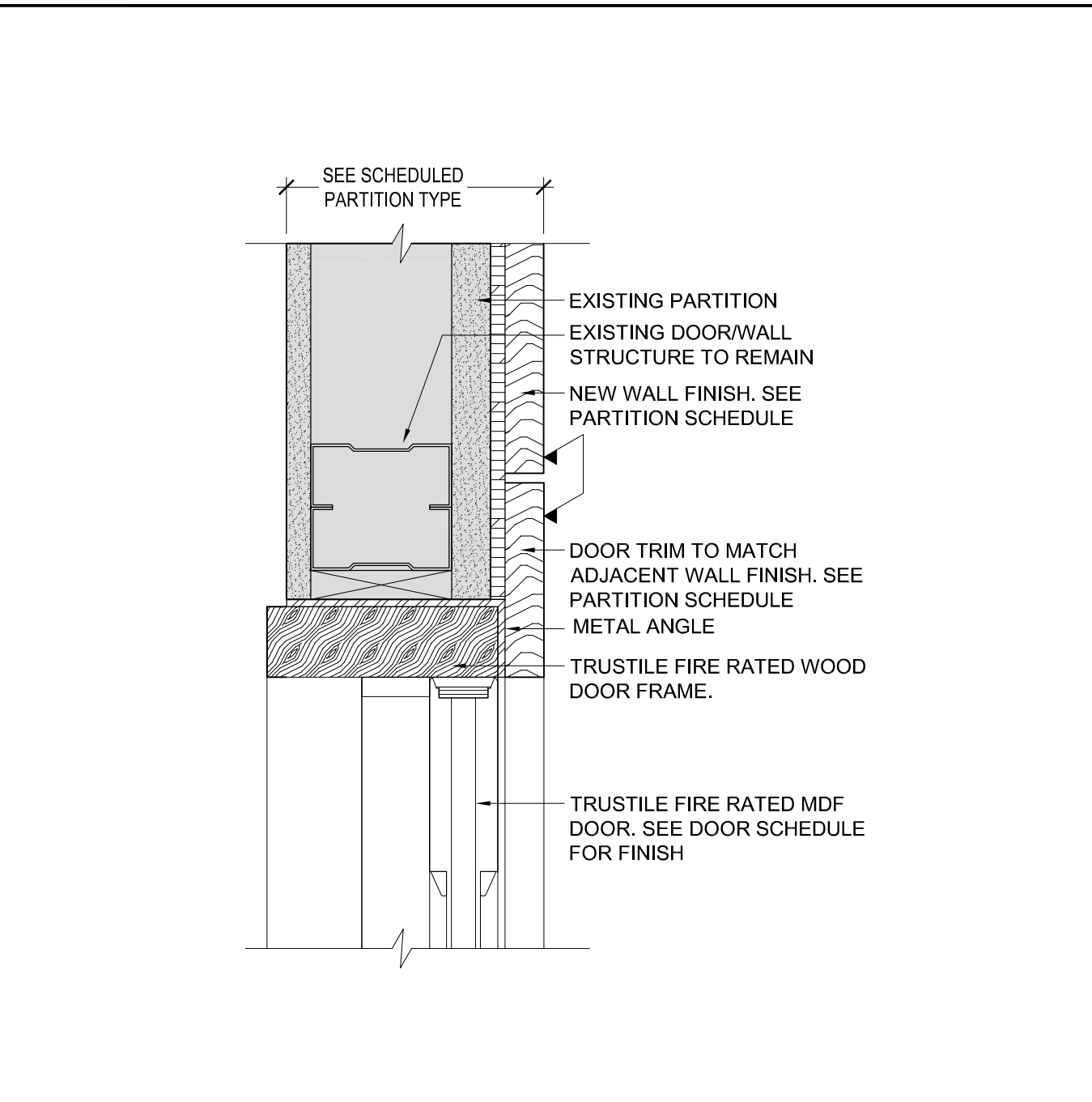
00
Drawing No.
A-601.00

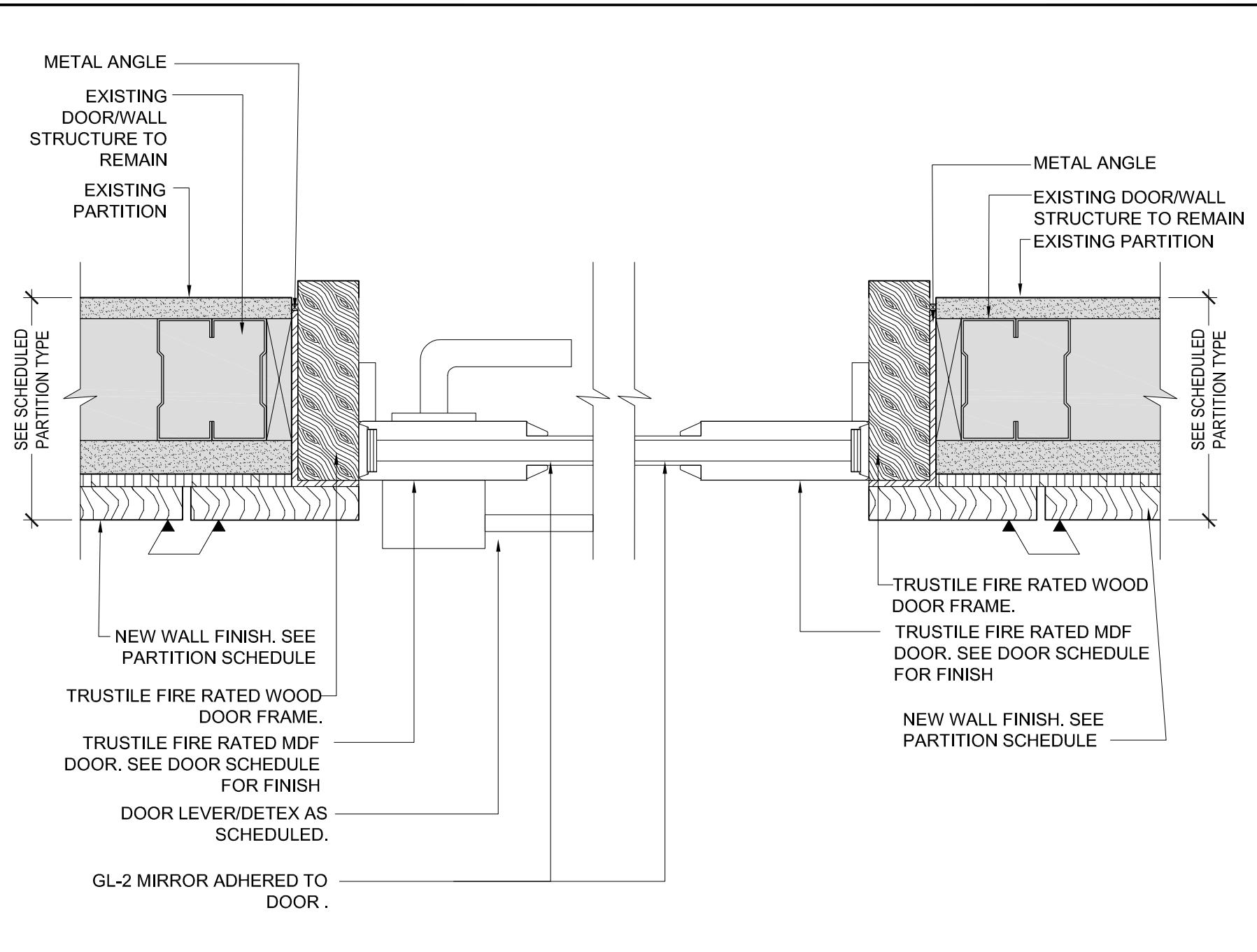
H1 HEADER DETAIL H1 SCALE: 3/8"=1'-0"



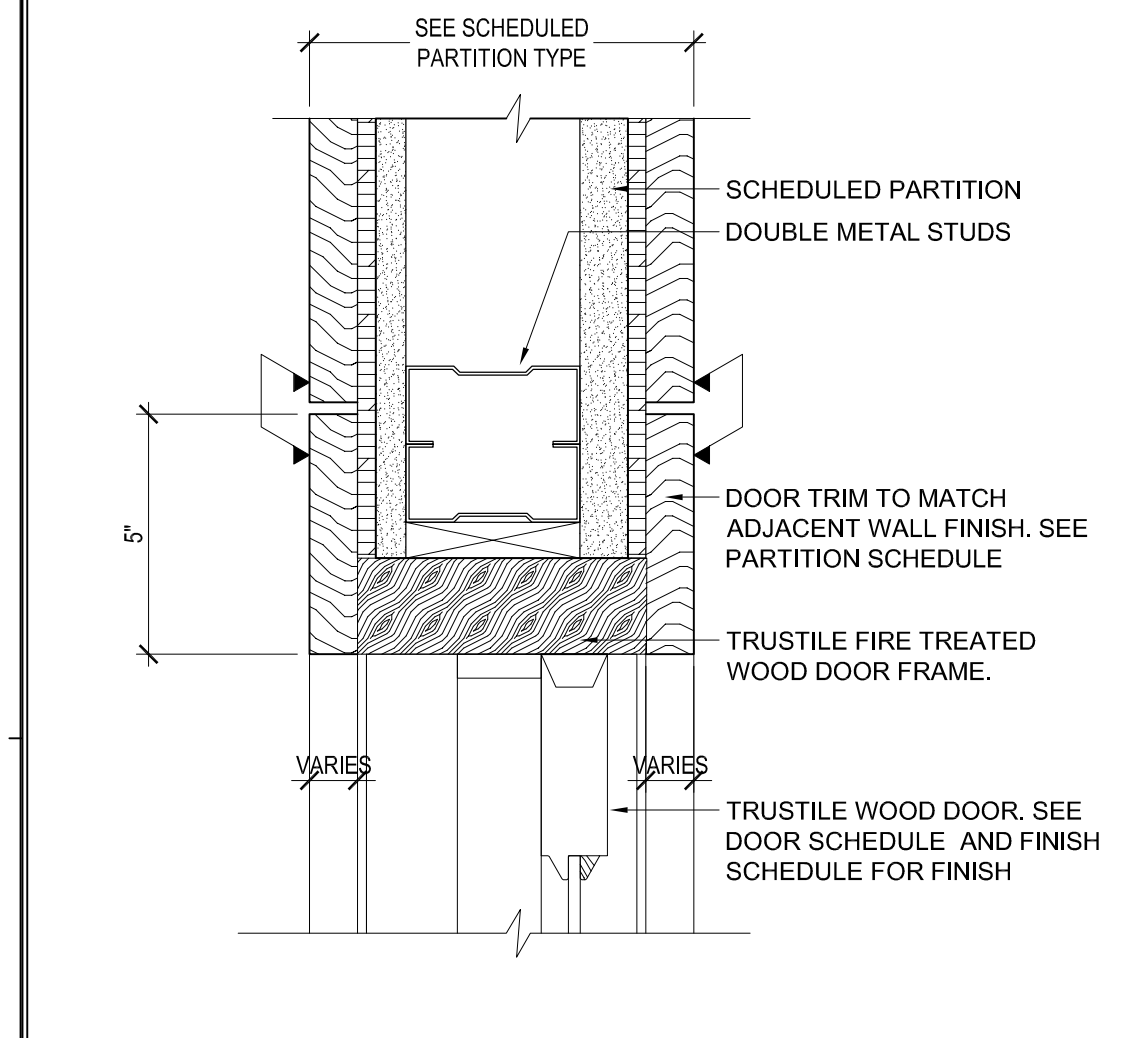
J1 JAMB DETAIL J1 SCALE: 3/8"=1'-0"



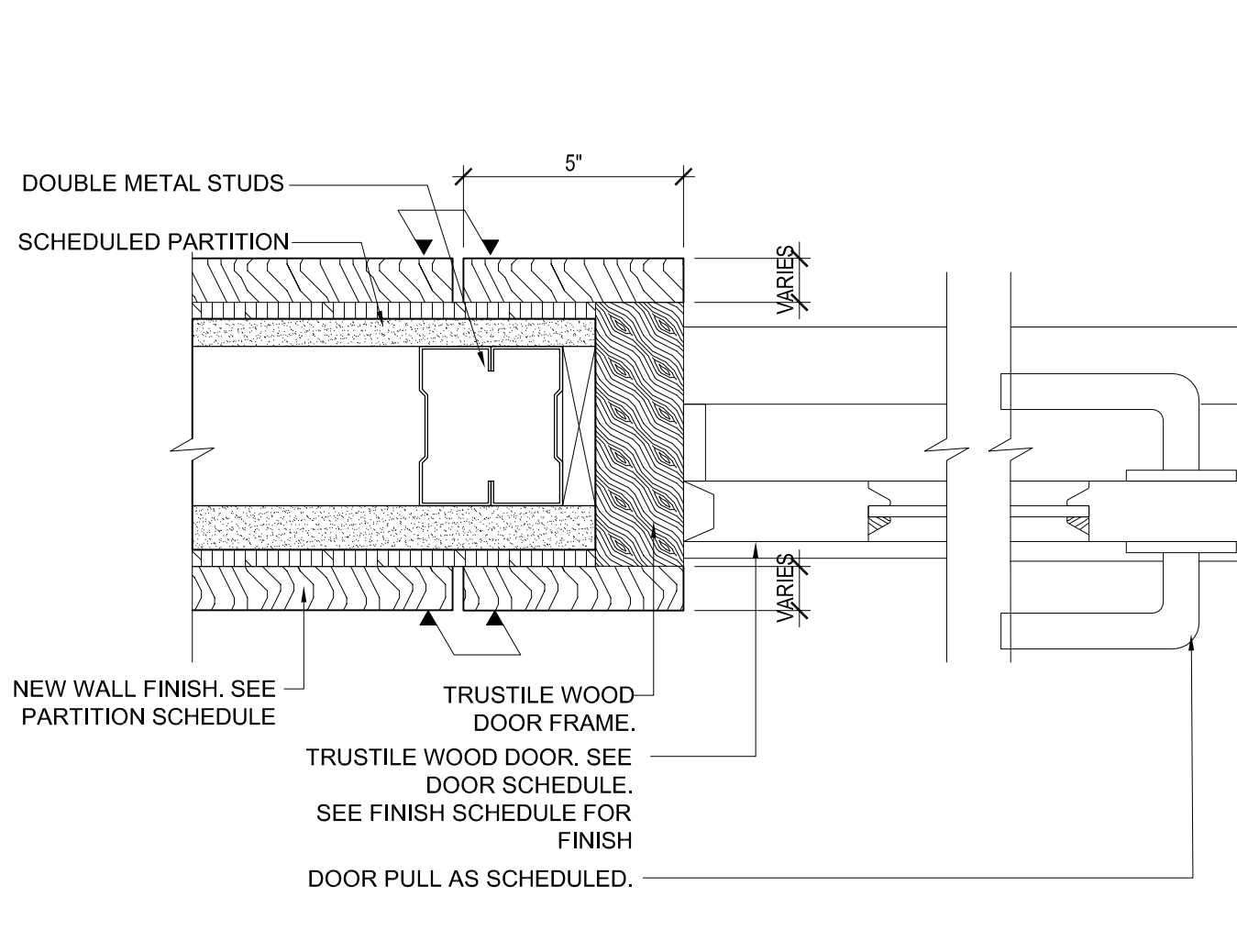
H2 HEADER DETAIL H2 SCALE: 3/8"=1'-0"



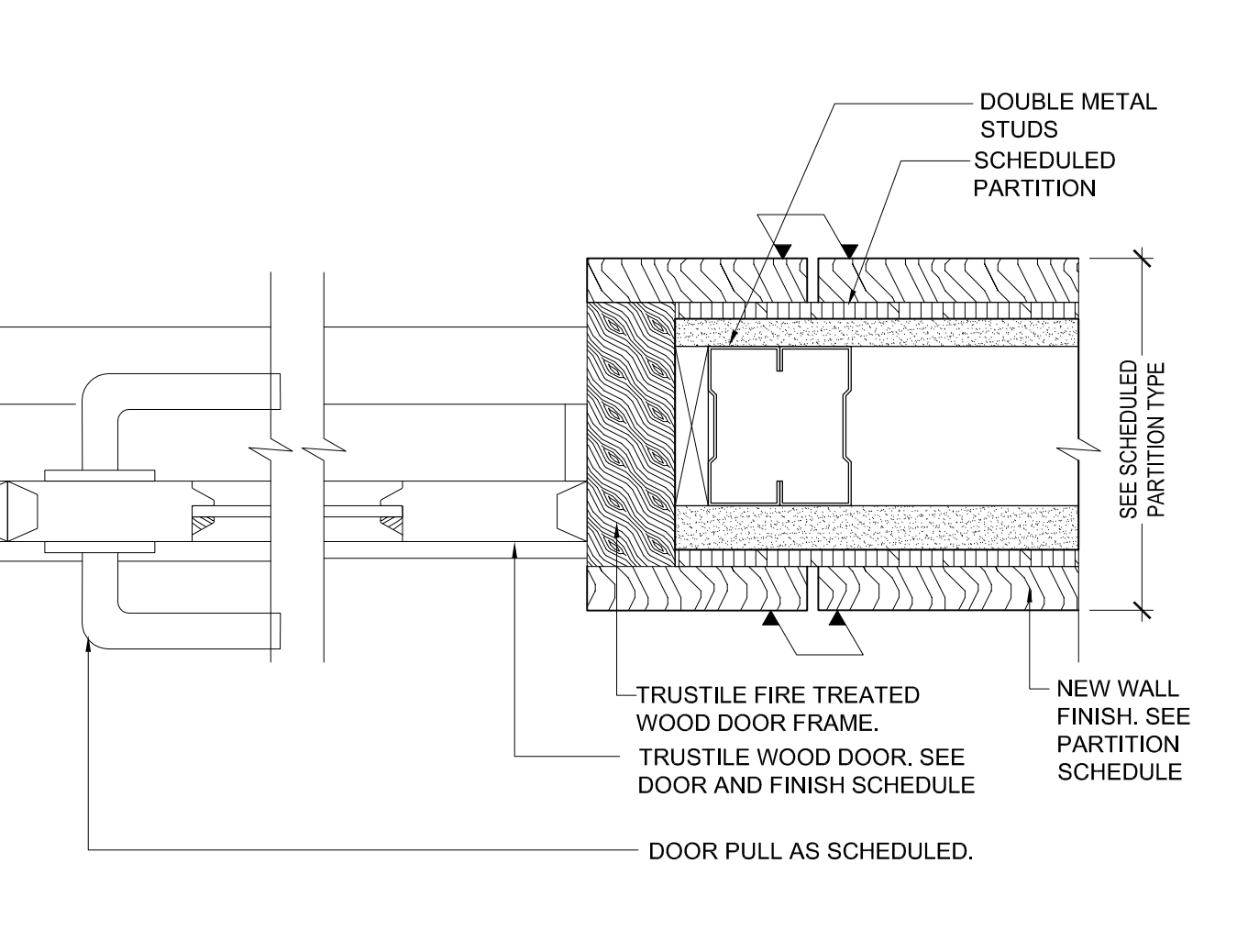
J2 JAMB DETAIL J2 SCALE: 3/8"=1'-0"



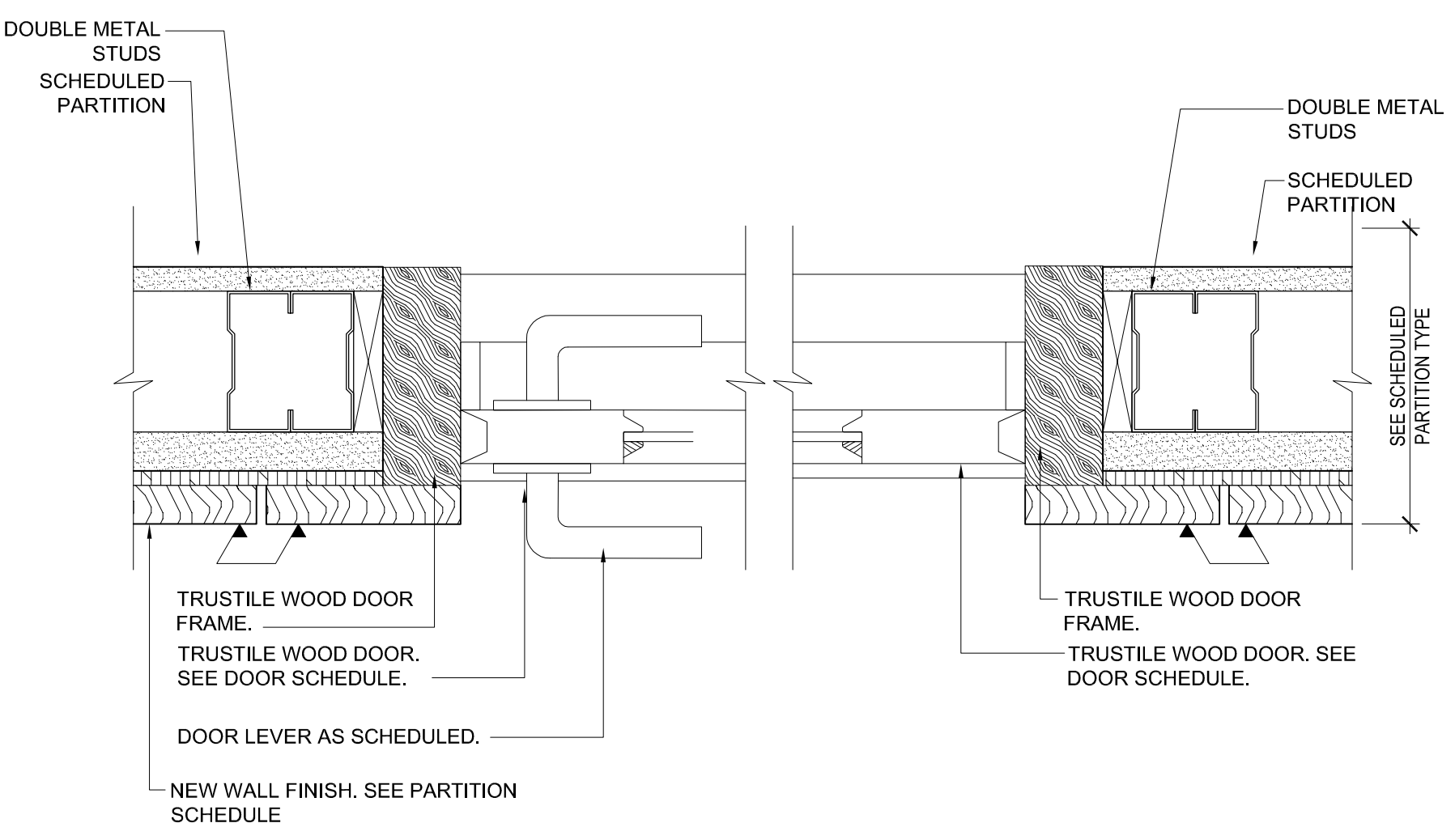
H3 HEADER DETAIL H3 SCALE: 3/8"=1'-0"



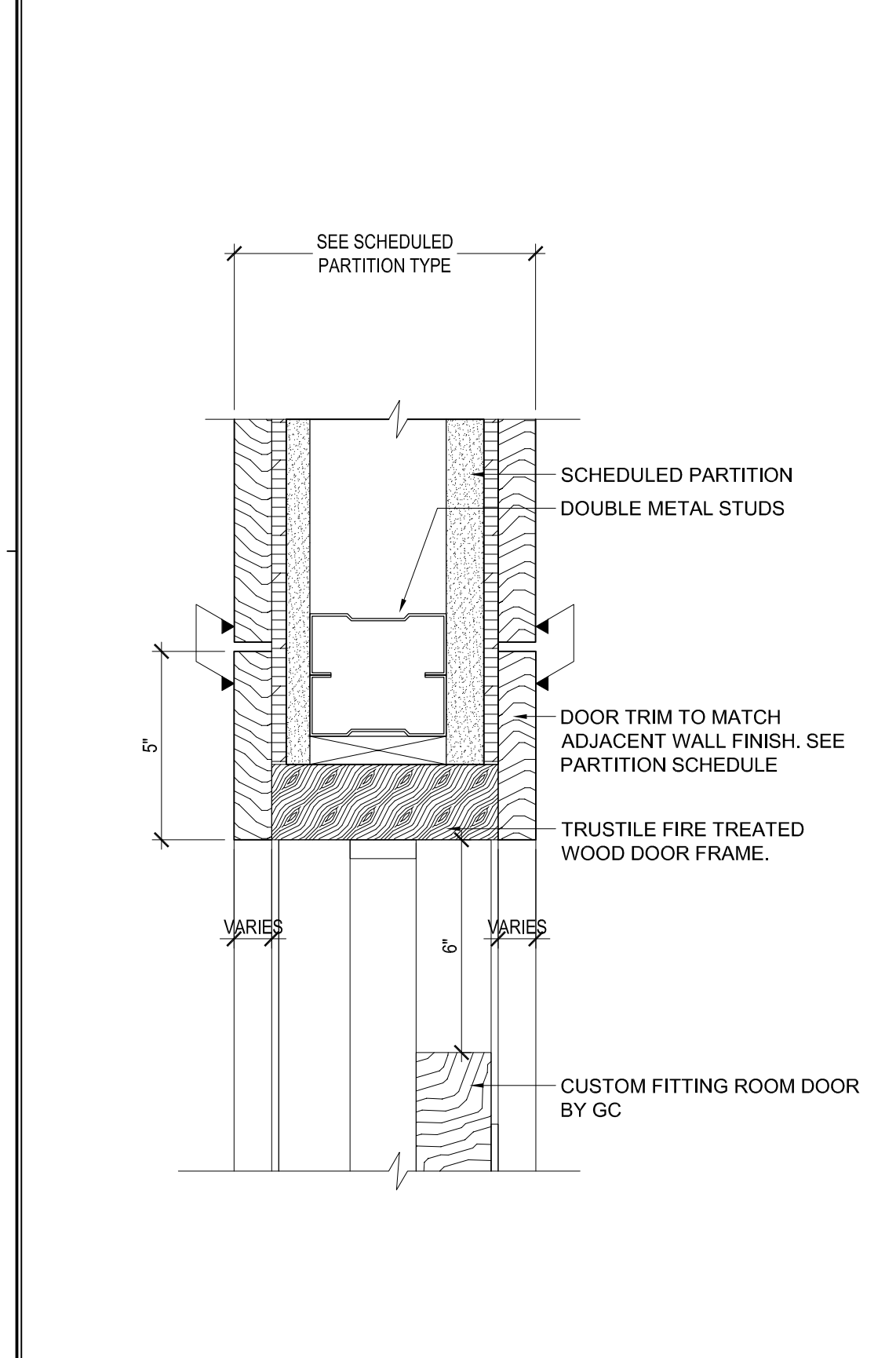
J3 JAMB DETAIL J3 SCALE: 3/8"=1'-0"



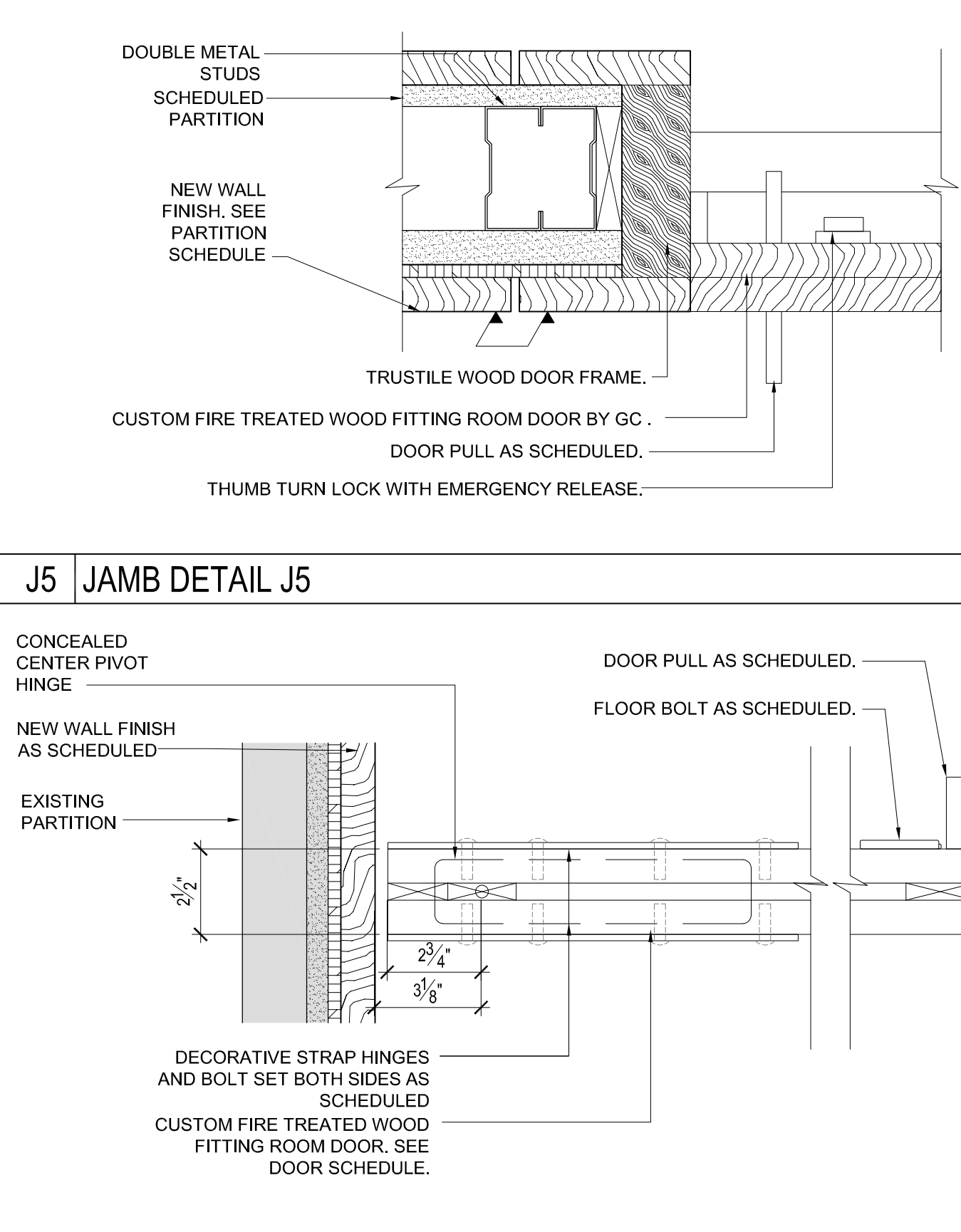
H4 HEADER DETAIL H4 SCALE: 3/8"=1'-0"



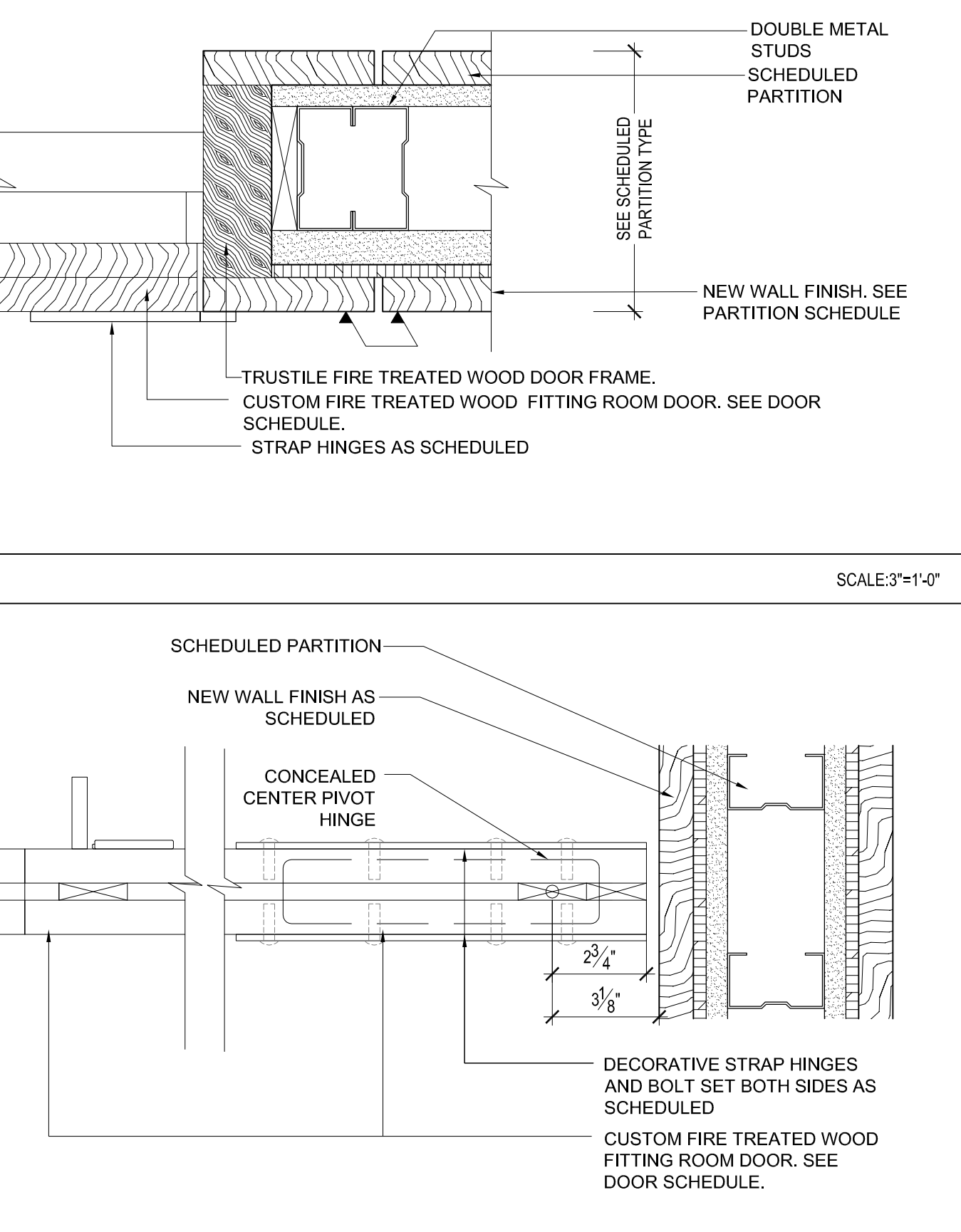
J4 JAMB DETAIL J4 SCALE: 3/8"=1'-0"



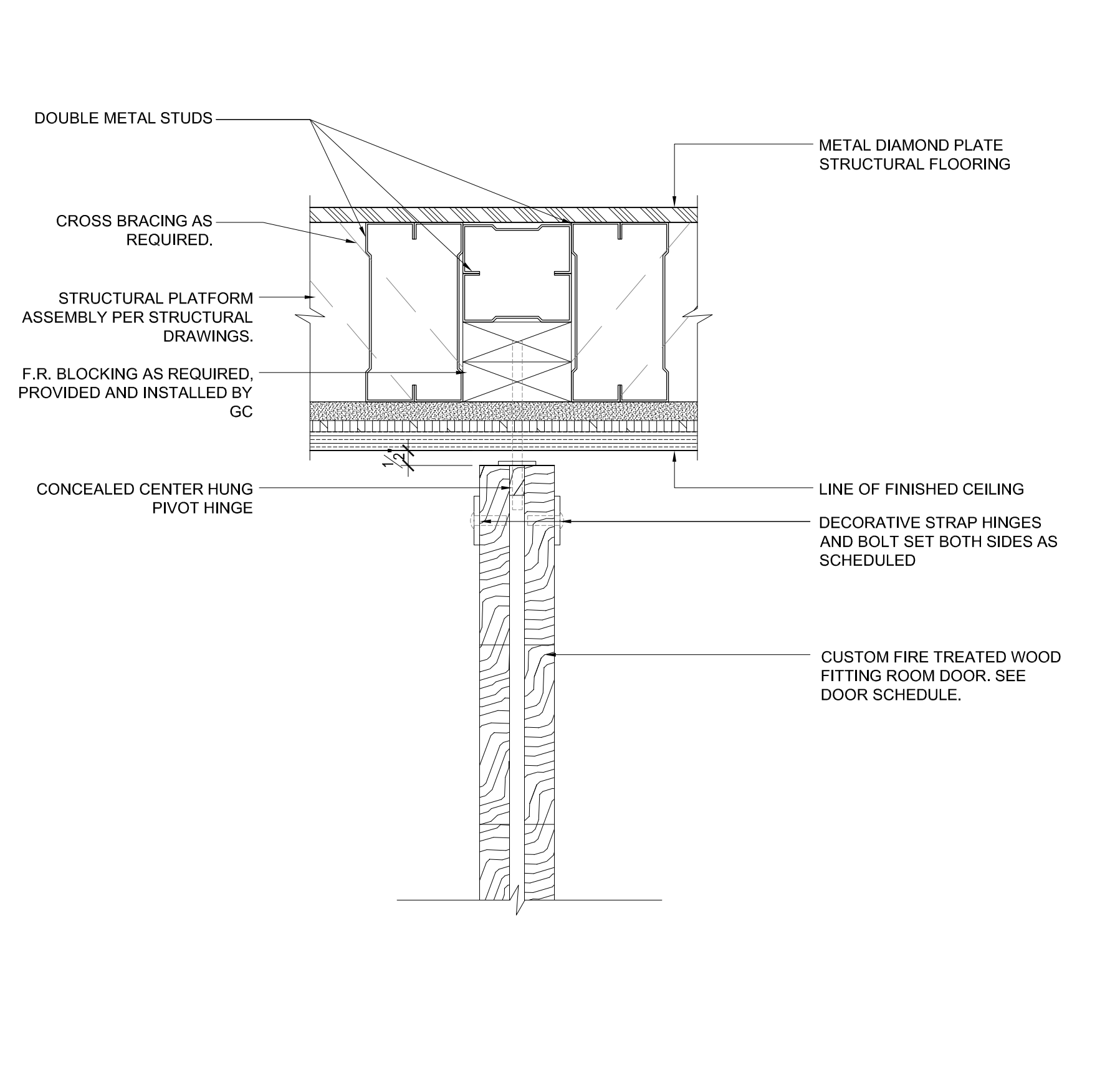
H5 HEADER DETAIL H5 SCALE: 3/8"=1'-0"



J5 JAMB DETAIL J5 SCALE: 3/8"=1'-0"



H6 HEADER DETAIL H6 SCALE: 3/8"=1'-0"



H6 JAMB DETAIL H6 SCALE: 3/8"=1'-0"