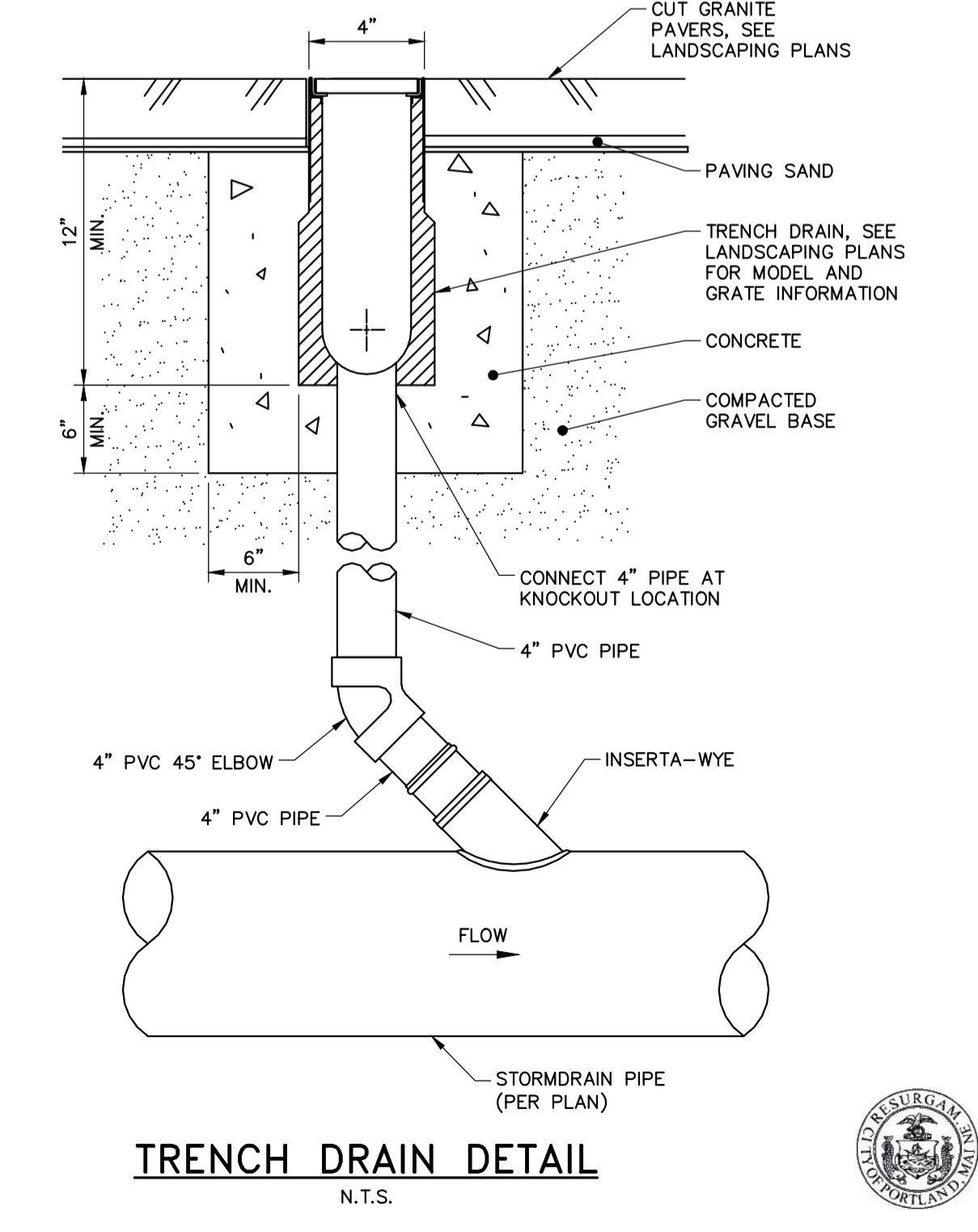
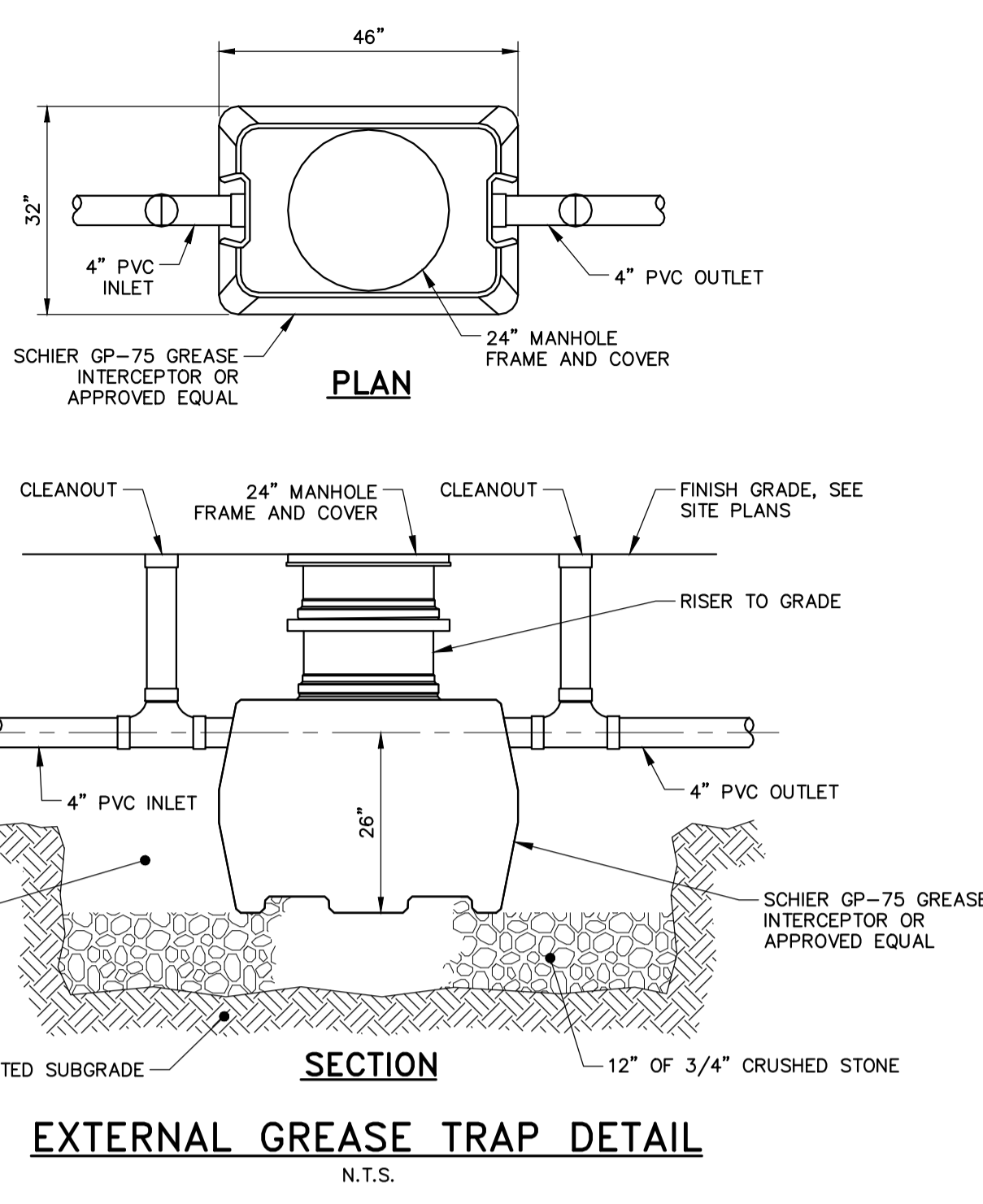
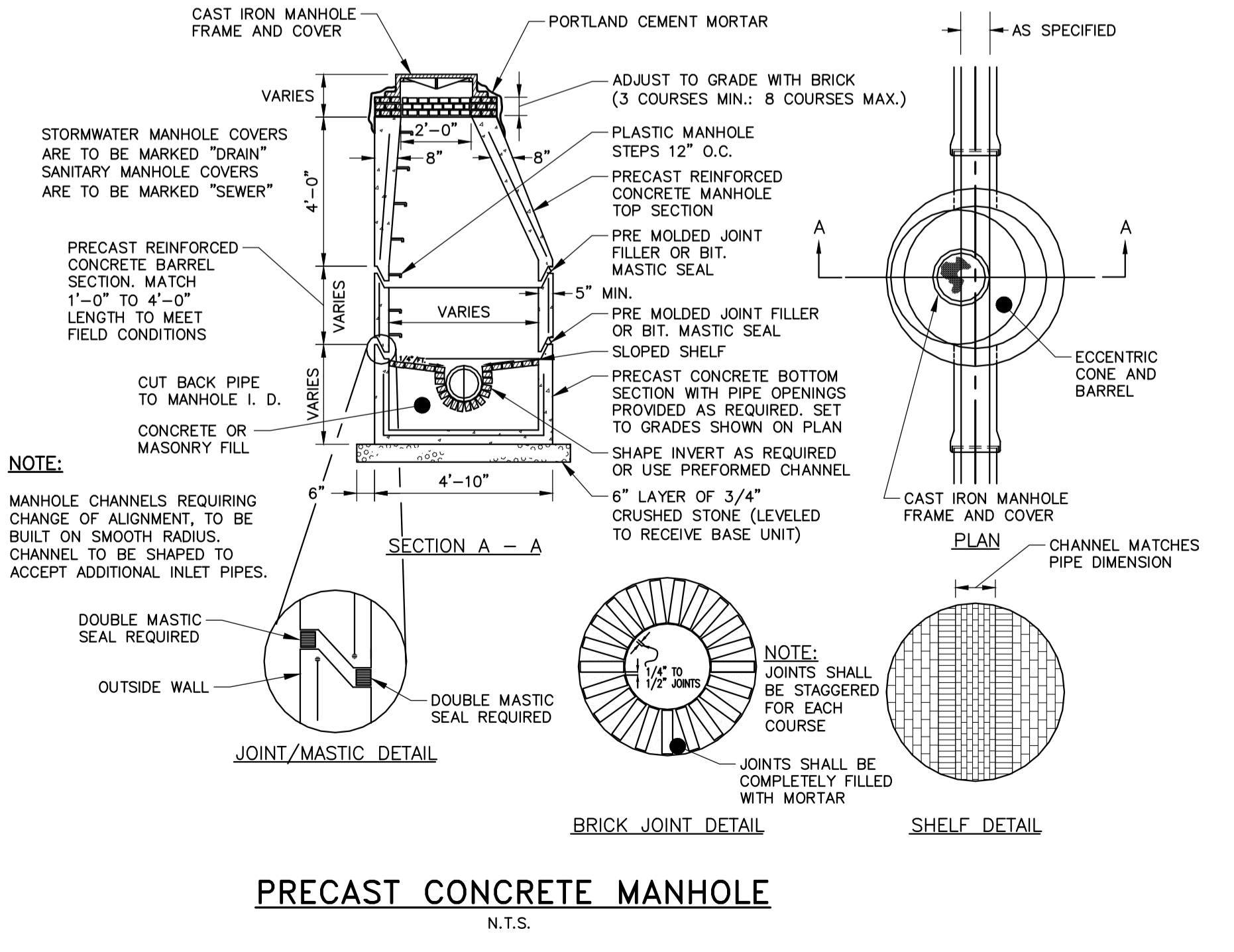
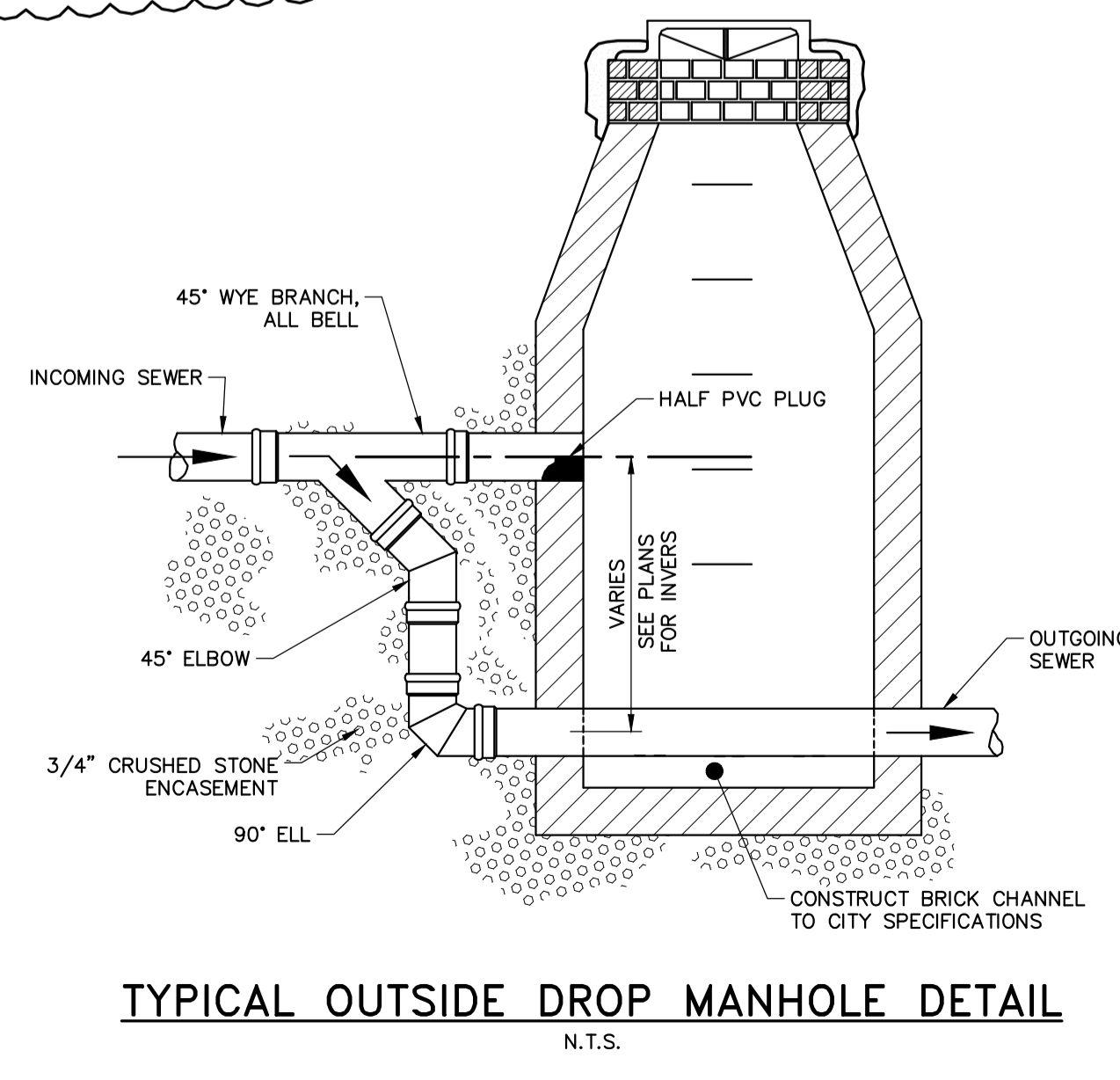
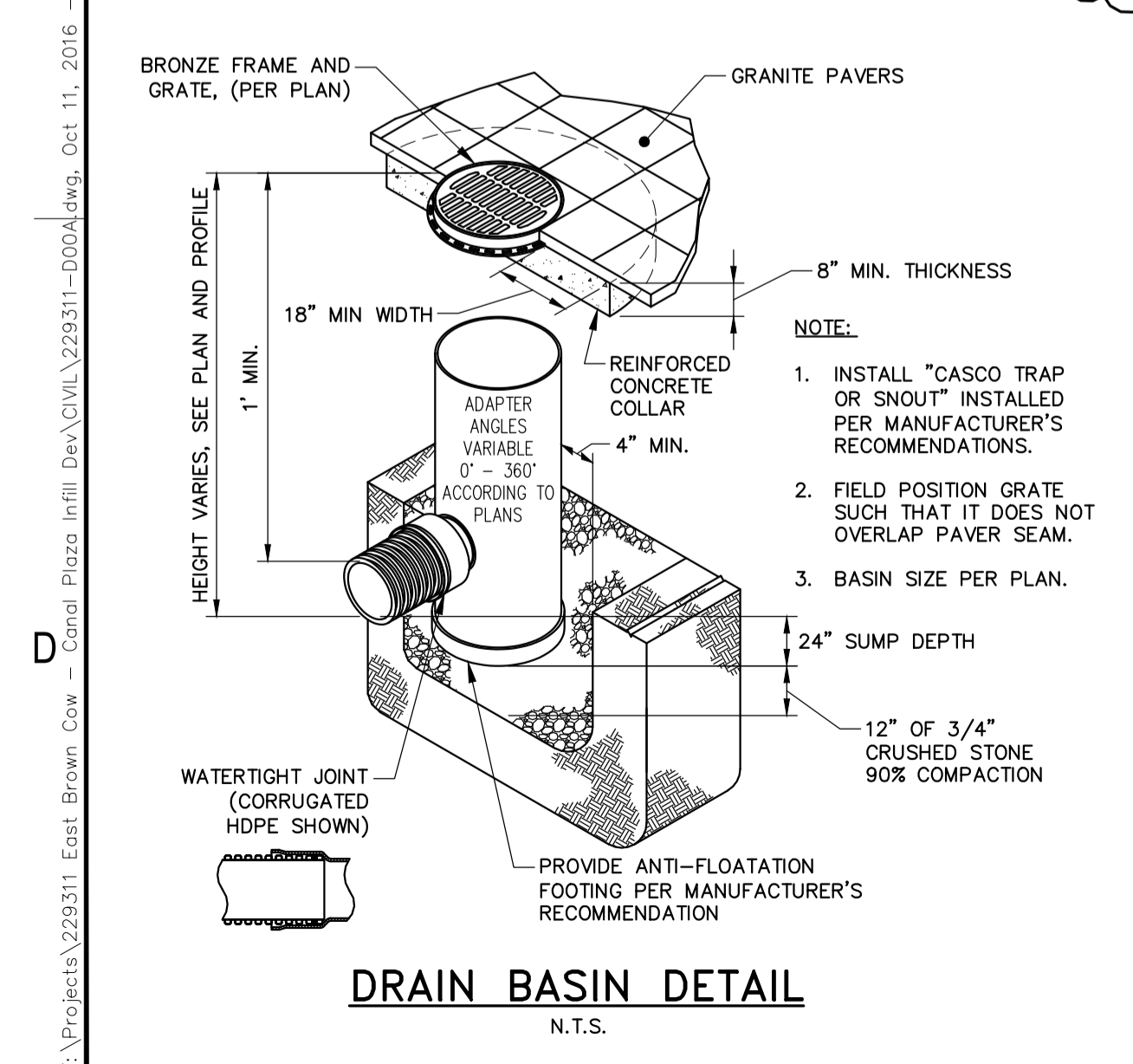


**TREE DRAIN AND SAND BASED STRUCTURAL SOIL DETAIL**  
N.T.S.



41 Hutchins Drive  
Portland, Maine 04102  
800.426.4382 | www.woodardcurran.com

**WOODARD & CURRAN**

COMMITMENT & INTEGRITY DRIVE RESULTS

THIS DOCUMENT IS THE PROPERTY OF WOODARD & CURRAN, INC. AND ITS CLIENT. REPRODUCTION OR MODIFICATION WITHOUT WRITTEN PERMISSION IS PROHIBITED.

LAUREN JANE SPINA  
PROJECT ENGINEER

10/11/2016

REV	DESCRIPTION	DATE	CHECKED BY: DAS
1	ADDENDUM 1	10/11/16	229311-0004.dwg

DESIGNED BY: LJS  
DRAWN BY: JBC

CIVIL DETAILS - 2

CANALSTUDIO

ZERO CANAL PLAZA DEVELOPMENT

JOB NO.: 229311  
DATE: SEPTEMBER 19, 2016  
SCALE: AS NOTED  
SHEET: C-301

**CITY OF PORTLAND**  
APPROVED SITE PLAN  
Subject to Conditions of Approval and Standard Conditions

DATE OF APPROVAL: 10.27.2016, Amend 3.23.2017  
PLANNER: Caitlin Cameron  
PROJECT NO.: 2016-162

E:\Projects\229311\_Estl\_Brown\_Cov - Canal Plaza Infill\_Dev\Civil\229311-0004.dwg, Oct 11, 2016 - 2:22pm