

## 17. CONSISTENCY WITH PORTLAND DESIGN STANDARDS & DESIGN MANUAL

The project will be in conformance with the City of Portland design standards contained within Section 14-526 of the City Code, as well as the B-3 and Downtown Urban Design Guidelines of the City of Portland Design Manual. The proposed development is consistent with the City's design standards as described below.

### 17.1 SITE PLAN STANDARDS (14-526)

#### a) *Transportation Standards*

The proposed Canal Plaza improvements are not anticipated to have a significant impact on the surrounding street systems. The plaza currently serves pedestrians, and the proposed improvements, including the building, have been designed to maintain and improve the pedestrian environment in the area. No changes to the surrounding streets or to any driveways or parking lots are proposed, and there will be no change to traffic access and circulation. Pedestrian access and circulation will also not be significantly impacted, with pedestrian access remaining from Middle Street, Union Street, and Exchange Street.

The proposed work is not anticipated to have a significant impact on parking requirements within the area, and the parking needs for the proposed building will be accommodated by existing parking. The Applicant owns the Fore Street garage located to the south of the plaza. A Portland Metro bus stop is currently located at Canal Plaza and will remain.

Snow will be actively removed from the Plaza area and large amounts will not be stored in the plaza, so as to maintain pedestrian access through the space in the winter.

#### b) *Environmental Quality Standards*

##### 1. *Preservation of Significant Natural Features*

The Site is fully developed and there are no known areas of significant natural features, including unusual natural areas, threatened or endangered botanical features, areas of significant wildlife habitats, aquifers, waterbodies, or wetland areas.

##### 2. *Landscaping & Landscape Preservation*

Landscaping Plans are included in the Design Drawings attached to Section 3 of this Report. The landscaping has been designed to fit the urban, pedestrian-friendly environment. Existing planters and trees will be removed from the plaza area, and new trees will be planted within the space. Two landscaped planters will be located next to the stair access points at the southern end of the plaza, and additional trees will be planted throughout the plaza, as shown on the Landscaping Plans.

##### 3. *Water Quality, Stormwater Management & Erosion Control*

The existing plaza manages Stormwater through a series of catch basins that connect to the existing City of Portland combined sewer systems in Middle, Union, and Fore Streets, which all ultimately combine together in Union Street. The proposed Site will continue to discharge to all three combined sewer systems; however, where most of the site's stormwater currently discharges to Middle Street, the majority of the stormwater from the proposed Site will discharge to Union Street. The stormwater management approach is further described in Section 12 of this Report.

The proposed project will not result in the flooding of adjacent lots or City property. The proposed project is not located within the watershed of an Urban Impaired Stream and is not anticipated to pose a risk of groundwater contamination either during or post-construction.

The proposed project has also been designed to provide for adequate and sanitary disposal of sanitary sewage, as further described in Section 14 of this Report.

c) *Public Infrastructure & Community Safety Standards*

The proposed project's consistency with City Master Plans is further described in Section 13 of this Report. As noted, the intent of the project is to provide improved pedestrian amenities in an existing open space.

The availability and adequate capacity of public utilities is described in Section 14 of this Report.

The full plan set has been provided to the Fire Department Reviewer, along with a cover letter including the items in the Portland Fire Department Site Review Checklist, as described in Section 16 of this Report.

d) *Site Design Standards*

1. *Massing, ventilation, and wind impact:* The proposed building and plaza improvements will not result in any reduction in ventilation to abutting structures or unsafe wind conditions on the site. The proposed building will provide a wind-break for pedestrians from the swirling winds that can occur within the plaza space. Primary HVAC systems will be located on the roof of the adjacent 3 Canal Plaza building, preventing any impact of ventilation systems on pedestrians. The plaza is owned by the owners of the surrounding buildings, and the proposed improvements will help to enhance the entire area.
2. *Shadows:* No adverse impacts from shadows are anticipated to result from the proposed project.
3. *Snow and ice loading:* The proposed building has been designed to accommodate appropriate snow and ice loads and to prevent significant amounts of accumulated snow and ice from falling onto adjacent properties or public ways.
4. *View corridors:* The proposed development will not obstruct public view corridors identified in the City's Downtown Vision View Corridor Protection Plan.
5. *Historic Resources:* The project is not located within a Historic District and does not directly impact any historic landmarks. The Canal Plaza property is located adjacent to the western boundary of the Portland Waterfront (Old Port) Historic District. The District is separated from the proposed project area by the existing 3 Canal Plaza building. The proposed Canal Plaza improvements will not have a detrimental impact on the nearby Historic District. The goal of the project is to improve pedestrian conditions in the area, in hopes of bringing more people to use the Canal Plaza space, and in turn bringing more pedestrians to the surrounding area, including the nearby Historic District.
6. *Exterior Lighting:* A lighting plan and cut sheets for proposed lighting fixtures are attached to this section. The proposed lighting has been designed to enhance the pedestrian space. A Photometric Plan is being developed, and will be submitted under separate cover.
7. *Noise and Vibration:* Noise and vibrations associated with the proposed development will not exceed regulated levels. Proposed HVAC equipment is further described in Section 18 of this Report.
8. *Signage and Wayfinding:* No specific signage is proposed at this time, and will be dependent on the building tenant. Proposed signage will be submitted as part of a separate sign permit application.
9. *Zoning Related Design Standards:* An assessment of the City Zoning requirements is provided in Section 6 of this Report.

---

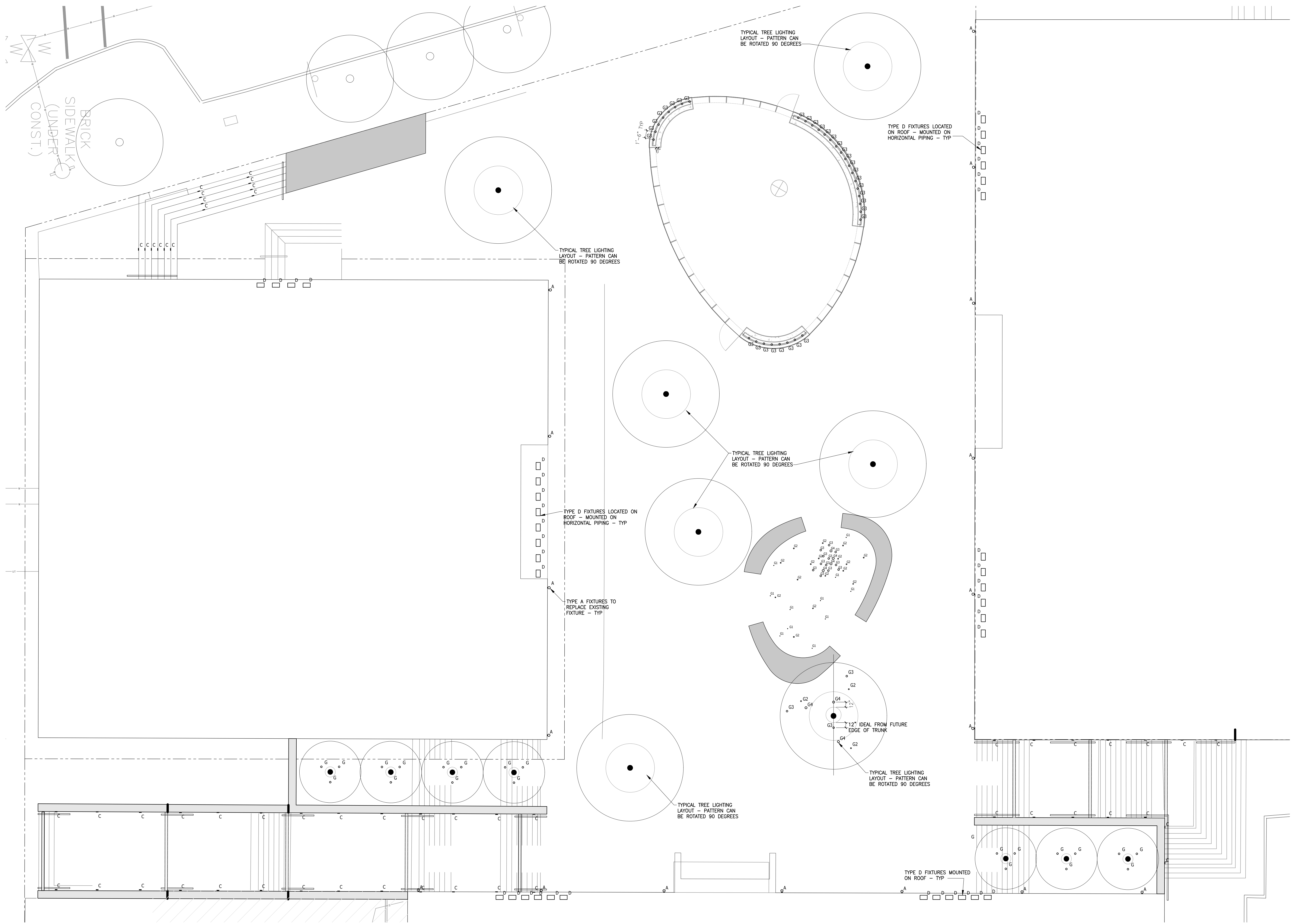
## 17.2 CITY OF PORTLAND DESIGN MANUAL

### 17.2.1 B-3 Standards (Section (b)) and Downtown Urban Design Guidelines (Appendix 1)

- a. *Relationship to the Pedestrian Environment:* The proposed building and plaza renovation offer high quality finishes, lighting, landscaping, and pedestrian-scale features that are absent in the existing plaza. The intent of the design is to create an inviting space for pedestrians. The concrete exterior walls contrast with a custom designed and fabricated glass wall system. The concrete will relate to the concrete elements of the existing office buildings. Low iron glass will make the glass wall system exceptionally transparent. The renewal and enhancement of Canal Plaza will create high quality urban open space.
- b. *Pedestrian Activities District:* The proposed building is transparent, pedestrian-scaled, and positioned to create outdoor seating areas for public engagement. The plaza will continue to provide pedestrian access and connectivity between Middle Street, Union Street, and Exchange Street. The proposed new building will offer the opportunity for retail/restaurant occupancy in a plaza that offers no retail activity.
- c. *Pedestrian Activities District Encouragement Areas:* This standard does not apply as the site is located in the Pedestrian Activities District (PAD) area.
- d. *Sidewalk Areas and Open Space:* The proposed building is transparent, pedestrian-scaled, and positioned to create outdoor seating areas for public engagement. The space between the proposed new building and the public sidewalk is scaled to accommodate tables and chairs. The space behind the building in the plaza offers additional seating with trees for shade.
- e. *Relationship to Existing Development:* The new granite pavers will offer a much higher quality finish than existing hardscape materials. The curvilinear shape of the proposed building will encourage circulation into and through the plaza, while relieving some of the rectilinear character of the existing office buildings. The palette of granite, glass and concrete is consistent with the materials and character of the Canal Plaza buildings and Old Port.
- f. *Shadow Impact on Open Space:* This standard does not apply as the proposed building is not in excess of 65 feet in height. The proposed building and landscaping will not have substantial shadow impacts on the plaza area.
- g. *Wind Impacts:* The proposed building will provide a wind-break for pedestrians and visitors from swirling winds in the plaza.
- h. *Setbacks from Existing Structures:* The proposed building has been designed to provide ample circulation space between it and the adjacent structures. The building will be approximately 22 feet from the existing 3 Canal Plaza Building (east) and 26 feet from the existing 2 Canal Plaza Building (west).
- i. *Building Tops:* This standard does not apply as the proposed building is not in excess of 150 feet in height.

## 17.3 ATTACHMENTS

- Lighting Fixture Cut Sheets
- Lighting Plan



Revisions

Canal Zero

Canal Plaza,  
 Portland, ME

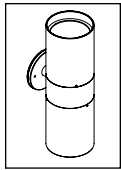
Date: 16. JUNE.16  
 Scale: 1/8"=1'0"

Drawing Title:  
**Lighting Plan**

**LT.1**

NOT FOR CONSTRUCTION

1 CANAL ZERO LIGHTING PLAN  
 Scale: 1/8"=1'0"

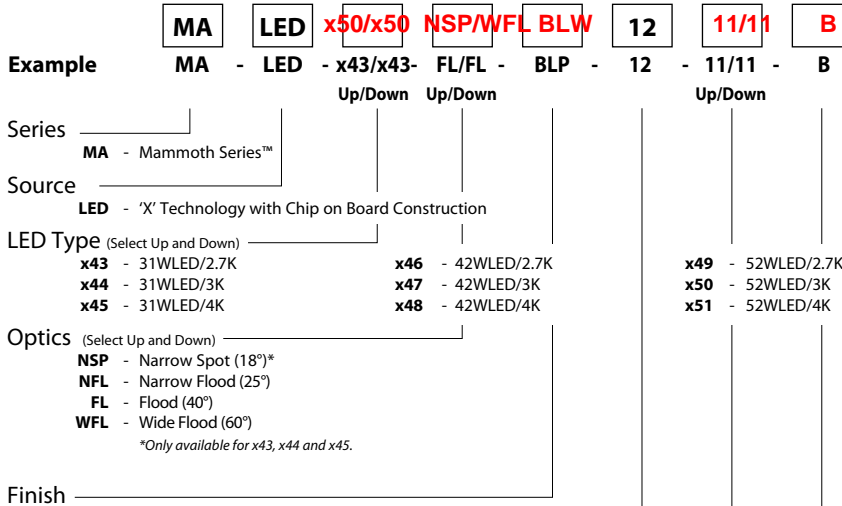


**BKSSL**  
SOLID STATE LIGHTING  
31-52W LED



PROJECT:	
TYPE:	
CATALOG NUMBER:	
SOURCE:	
NOTES:	

**CATALOG NUMBER LOGIC**



**Configure Driver Housing Separately**  
Driver Housing Required

**REMOTE DRIVER HOUSINGS:**  
**PM3DRM** - Universal Power Module 3 Dual Remote  
**DRM** - Dual Remote Wall Mount

**Standard Finish**

Powder Coat Color	Satin	Wrinkle
Bronze	<b>BZP</b>	<b>BZW</b>
Black	<b>BLP</b>	<b>BLW</b>
White (Gloss)	<b>WHP</b>	<b>WHW</b>
Aluminum	<b>SAP</b>	—
Verde	—	<b>VER</b>

**Premium Finish**

<b>ABP</b> Antique Brass Powder	<b>CMG</b> Cascade Mountain Granite	<b>RMG</b> Rocky Mountain Granite
<b>AMG</b> Aleutian Mountain Granite	<b>CRI</b> Cracked Ice	<b>SDS</b> Sonoran Desert Sandstone
<b>AQW</b> Antique White	<b>CRM</b> Cream	<b>SMG</b> Sierra Mountain Granite
<b>BCM</b> Black Chrome	<b>HUG</b> Hunter Green	<b>TXF</b> Textured Forest
<b>BGE</b> Beige	<b>MDS</b> Mojave Desert Sandstone	<b>WCP</b> Weathered Copper
<b>BPP</b> Brown Patina Powder	<b>NBP</b> Natural Brass Powder	<b>WIR</b> Weathered Iron
<b>CAP</b> Clear Anodized Powder	<b>OCP</b> Old Copper	<i>Also available in RAL Finishes See submittal SUB-1439-00</i>

Lens Type **12** - Soft Focus Lens

Shielding (Select Up and Down) **11** - Honeycomb Baffle

Cap Style

- B** - 90°
- C** - Flush
- E** - 90° less Weep Hole (Interior Use Only)

**LM79 DATA**

BK No.	Lumens (Source)(Tj=85°C)	CCT (Typ.)	CRI (Ra. Typ.)	Color Consistency	Input Watts (Typ.)
x43	3150	2700K	80	±60K	31
x44	3300	3000K	80	±60K	31
x45	3450	4000K	80	±60K	31
x46	4200	2700K	80	±60K	42
x47	4350	3000K	80	±60K	42
x48	4600	4000K	80	±60K	42
x49	5700	2700K	80	±60K	52
x50	5900	3000K	80	±60K	52
x51	6200	4000K	80	±60K	52

**L70 DATA**

Minimum Rated Life (hrs.) 70% of initial lumens (L70)
50,000
50,000
50,000
50,000
50,000
50,000
50,000
50,000
50,000

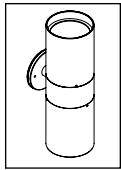
**OPTICAL DATA**

Beam Type	Angle	x45 CBCP	x48 CBCP	x51 CBCP
Narrow Spot	18°	20780	N/A	N/A
Narrow Flood	25°	5908	17560	23105
Flood	40°	4174	5539	7311
Wide Flood	60°	2931	3725	4966

<b>B-K LIGHTING</b>	40429 Brickyard Drive • Madera, CA 93636 • USA 559.438.5800 • FAX 559.438.5900 www.bklighting.com • info@bklighting.com	SUBMITTAL DATE	DRAWING NUMBER
		10-20-15	SUB-2364-00

THIS DOCUMENT CONTAINS PROPRIETARY INFORMATION OF B-K LIGHTING, INC. AND ITS RECEIPT OR POSSESSION DOES NOT CONVEY ANY RIGHTS TO REPRODUCE, DISCLOSE ITS CONTENTS, OR TO MANUFACTURE, USE OR SELL ANYTHING IT MAY DESCRIBE. REPRODUCTION, DISCLOSURE OR USE WITHOUT SPECIFIC WRITTEN AUTHORIZATION OF B-K LIGHTING, INC. IS STRICTLY FORBIDDEN.

# MA-LED-x50/x50-NSP/WFL-BLW-12-11/11-B Canal Zero MAMMOTH™

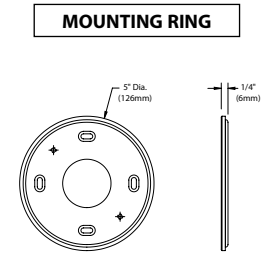
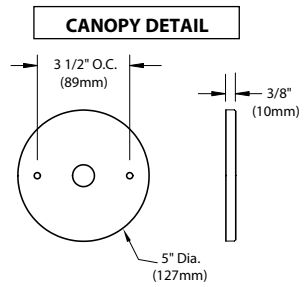
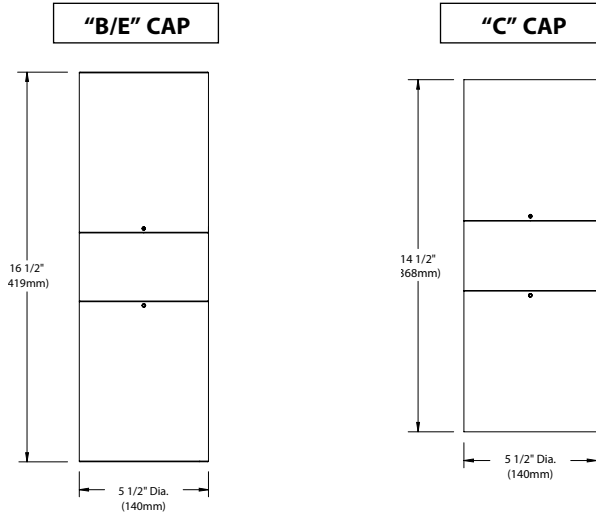


**BKSSL**  
SOLID STATE LIGHTING  
31-52W LED

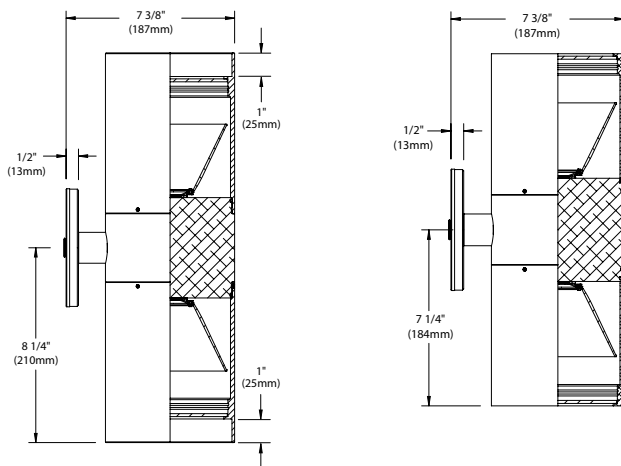


PROJECT:	
TYPE:	

## FRONT VIEW

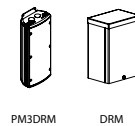


## SIDE VIEW



## Accessories (Configure separately)

### Drivers:



All dimensions indicated on this submittal are nominal. Contact Technical Sales if you require more stringent specifications.

## SPECIFICATIONS

### GreenSource Initiative™

Metal and packaging components are made from recycled materials. Manufactured using renewable solar energy, produced on site. Returnable to manufacturer at end of life to ensure cradle-to-cradle handling. Packaging contains no chlorofluorocarbons (CFC's). Use of this product may qualify for GreenSource efficacy and recycling rebate(s). Consult [www.bklighting.com/greensource](http://www.bklighting.com/greensource) for program requirements.

### Materials

Furnished in Copper-Free Aluminum (Type 6061-T6).

### Body

Fully machined from solid billet. Unibody design provides enclosed, water-proof wireway and integral heat sink for maximum component life. High temperature, silicone 'O' Ring provides water-tight seal.

### Cap

Fully machined. Accommodates [2] lens or louver media. Choose from 1" deep bezel with 90° cutoff ('B' or 'E') or flush lens ('C') cap styles. 'B' caps include weep-hole for water and debris drainage. 'E' caps exclude weep-hole and are for interior use only.

### Lens

Shock resistant, tempered, glass lens is factory adhered to fixture cap and provides hermetically sealed optical compartment.

### BKSSL®

Integrated solid state system with 'X' technology is scalable for field upgrade. Modular design with electrical quick disconnects permit field maintenance. Minimum 50,000 hour rated life at 70% of initial lumens (L70). BKSSL technology provides long life, significant energy reduction and exceptional thermal management.

### Color Management

Chip on board technology delivers natural white light. Exact color point conformity exceeds ANSI C78.377 standard. Module exceeds 80 CRI (RA>80, R9.16). Color point uniformity 2 SDCM color control for 2.7K-4K CCT.

### Remote Driver

For use with remote LED Driver. See remote driver submittal(s) to determine remote distance, dimming range, and wiring requirements prior to detailing field installation of any remote wiring.

### Installation

5" dia., machined canopy with machined aluminum mounting ring permits mounting to 4" octagonal junction box (by others).

### Optics

Interchangeable OPTIKIT™ modules permit field changes to optical distribution.

### Wiring

PVC coated, 18AWG, 150V, 60°C rated and certified to UL 1838 standard.

### Hardware

Tamper-resistant, stainless steel hardware. Canopy mounting screws are additionally black oxide treated for additional corrosion resistance.

### Finish

StarGuard®, our exclusive RoHs compliant, 15 stage chromate-free process cleans and conversion coats aluminum components prior to application of Class 'A' TGIC polyester powder coating.

### Warranty

5 year limited warranty.

### Certification and Listing

ITL tested to IESNA LM-79. Lighting Facts Registration per USDOE ([www.lightingfacts.com](http://www.lightingfacts.com)). ETL Listed to ANSI/UL Standard 1598 and Certified to CAN/CSA Standard C22.2 No. 250. RoHs compliant. Suitable for indoor or outdoor use. Suitable for use in wet locations. IP66 Rated. Made in USA.



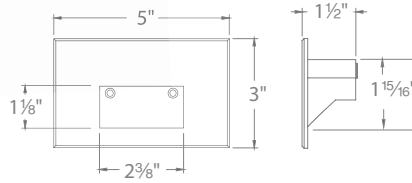
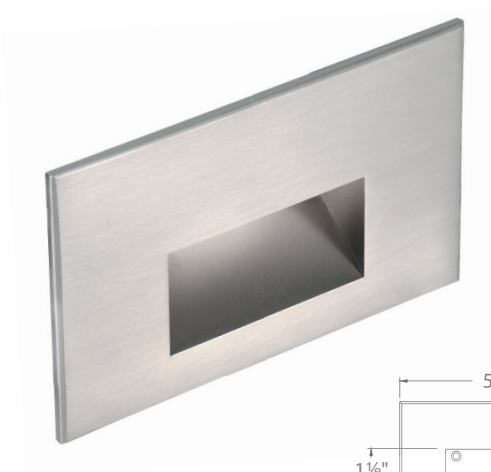
<b>B-K LIGHTING</b>	40429 Brickyard Drive • Madera, CA 93636 • USA 559.438.5800 • FAX 559.438.5900 <a href="http://www.bklighting.com">www.bklighting.com</a> • <a href="mailto:info@bklighting.com">info@bklighting.com</a>	SUBMITTAL DATE	DRAWING NUMBER
		10-20-15	SUB-2364-00

RECTANGLE STEP LIGHTS 12V

WAC

4011

LANDSCAPE LIGHTING



Fixture Type:

Catalog Number:

Project: \_\_\_\_\_

Location: \_\_\_\_\_

**PRODUCT DESCRIPTION**

Horizontal rectangle step light designed for safety and style on stairways, patios, decks, balcony areas, walkways and building perimeters.

Features an architectural design. Energy efficient for long-lasting outdoor lighting solutions. Creates an attractive, romantic impression at night.

**SPECIFICATIONS**

**Input:** 9-15VAC constant output  
**Power:** 2W / 3.1VA  
**Brightness:** Up to 58 lm  
**CRI:** 90  
**Rated Life:** 60,000 hours

**FEATURES**

- Solid diecast brass, corrosion resistant aluminum alloy, or cast stainless steel construction
- IP66 rated, Protected against high-pressure water jets
- Conveniently adapts into existing 12V system
- Invisible hardware
- Maintains constant lumen output against voltage drop
- UL 1838 Listed

**FEATURES**

- IP66 rated, Protected against powerful water jets
- Translucent lens provides for uniform diffused light output
- Solid diecast brass or corrosion resistant aluminum alloy
- ADA compliant
- Maintains constant lumen output against voltage drop
- UL 1838 Listed

**ORDERING NUMBER**

		Color Temp	Finish
4011	12V	27 2700K	<b>BBR</b> Bronze on Brass
			<b>BZ</b> Bronze on Aluminum
			<b>WT</b> White on Aluminum
	30	3000K	<b>BBR</b> Bronze on Brass
			<b>BZ</b> Bronze on Aluminum
			<b>WT</b> White on Aluminum
	<b>AM</b> Amber	<b>SS</b> Cast Stainless Steel	

4011-\_\_\_\_\_

Example: 4011-30BK

wacighting.com  
 Phone (800) 526.2588  
 Fax (800) 526.2585

Headquarters/Eastern Distribution Center  
 44 Harbor Park Drive  
 Port Washington, NY 11050

Central Distribution Center  
 1600 Distribution Ct  
 Lithia Springs, GA 30122

Western Distribution Center  
 1750 Archibald Avenue  
 Ontario, CA 91760



100V 115/120V 230/240V



## GENERAL INFORMATION

ETC's Desire Series D60XTI brings the amazing control of the x7 color system™ and the long throw of a D60 to your facility for permanent installation. With its IP66 rating, this luminaire is ready for mounting inside or outside- wherever you need it. The Selador® x7 color system produces the widest range of spectrally-balanced saturated and tinted color choices available. The D60XTI offers a rugged die-cast enclosure, noiseless fan-free operation and multiple lens options that can be changed on site.

### D60XTI LED ARRAY OPTIONS

D60XTI luminaires are based on the x7 color system that uses seven different LED colors to achieve true, usable broad spectrum color. The D60XTI luminaire is available with any one of the following x7 color arrays to best suit the intended application:

- D60XTI Vivid™ – the x7 color system array balanced for best all-around use as a color-changing wash luminaire
- D60XTI Lustr+™ – optimized with six colors plus high-intensity white LEDs to create an ideal front-light wash fixture. Full range color, with an emphasis on lighter colors and white
- D60XTI Ice™ – uses the cool colors of the x7 system to provide extra-high brightness color in the blue end of the spectrum
- D60XTI Fire™ – uses the warm colors of the x7 system to provide extra-high brightness color in the red end of the spectrum
- D60XTI Studio HD™ – Studio HD combines warm white and cool white LEDs for variable color temperature mixing. Added to this are five carefully chosen LED colors from the Selador x7 color system to fill in the white LED spectral gaps. D60XTI Studio HD provides the richest variable white light possible in an LED luminaire

Also available in the following static white arrays:

- D60XTI Studio Daylight™ – Studio Daylight contains sixty 5600K LEDs for high-intensity, non-variable cool-white output
- D60XTI Studio Tungsten™ – Studio Tungsten contains sixty 3000K LEDs for high-intensity, non-variable warm-white output

## ORDERING INFORMATION

### Selador D60XTI

MODEL	DESCRIPTION
SELD60XTI-V	D60XTI Vivid wash luminaire
SELD60XTI-L	D60XTI Lustr+ front-light wash luminaire
SELD60XTI-F	D60XTI Fire special wash luminaire
SELD60XTI-I	D60XTI Ice special wash luminaire
SELD60XTI-H	D60XTI Studio HD wash luminaire
SELD60XTI-D	D60XTI Studio Daylight wash luminaire
SELD60XTI-T	D60XTI Studio Tungsten wash luminaire

Note: D60XTI luminaires ship with a hanging yoke, attached leads and a data termination board. C-clamp, lenses and other accessories are not included.



SPECIFICATIONS

**GENERAL**

- Easy setup via any RDM device, such as ETC Gateways and Gadget
- 60 LED variable color-mixing light wash luminaire (color-mixing luminaires)
- 60 LED white-light wash luminaire (static white luminaires)
- ETL listed to UL1598
- IP66-rated for exterior wet-location use
- Data termination board for easy installation (included)

**PHYSICAL**

- Rugged die-cast, all-metal housing
- Accessory ring for installation of secondary lenses
- Available in black (standard), white or silver (optional) or custom colors (contact factory)
- Hanging yoke standard.
- Cable diameter: power 0.36" / data 0.34"
- Effective Projected Area (EPA): 0.95

**ELECTRICAL**

- 100VAC to 240VAC 50/60Hz universal power input
- Waterproof, 72" outdoor-rated power lead
- Up to 10 fixtures (15A max) may be fed on the same circuit
- Requires power from a non-dimmable source
- Inrush
  - 120V: 46A (First half-cycle)
  - 240V: 77A (First half-cycle)

**LED\***

- 50,000-hour LED life (50,000 hours to 70% intensity)
- 60 LUXEON® Rebel LED emitters
- Studio Daylight and Studio Tungsten use Rebel ES white light emitters for higher output

\*See additional LED notes on page three

**COLOR**

- Exclusive x7 color system seven-color LED array
- Broad spectrum color interacts seamlessly with conventional sources
- Beautifully illuminates skin tones and other objects for a natural appearance and high color rendering
- Exclusive red-shift option emulates tungsten dimming performance (not available on static white luminaires)
- Studio HD array uses warm and cool white light emitters with additional deep-color emitters to allow variable color temperature from 2700K-6500K
- Studio Tungsten and Studio Daylight provide good color rendering at very high brightness

**OPTICAL**

- Primary field angle of 17° and beam angle of 8°
- Secondary lenses available for multiple beam spread options
- Lenses must be ordered separately
- Refer to accessories chart for lenses available

**CONTROL**

- DMX512 in and thru via termination board (included)
- See DMX Input Channel Profiles for operation modes
- 15-bit virtual dimming engine provides smooth, high-quality theatrical fades and minimizes color shift during dimming
- RDM functionality for address and setting changes

SPECIFICATIONS

**THERMAL**

- Ambient operating temperature of -4° to 104°F (-20° to 40°C)
- Active electronic thermal management for droop-free operation
- Noiseless, fan-free convection cooling for acoustically sensitive installations
- Luminaire is designed for continuous operation up to 104°F (40°C) ambient temperature and requires free flow of air around luminaire housing

ADDITIONAL ORDERING INFORMATION

**Fixtures Accessories**

MODEL	DESCRIPTION
D40XTIWM	Wall-Mount Kit (black)
D40XTIWM-1	Wall-Mount Kit (white)
D40XTISPM	Single Pole Mount Kit (black)
D40XTISPM-1	Single Pole Mount Kit (white)
D40XTIDPM	Double Pole Mount Kit (black)
D40XTIDPM-1	Double Pole Mount Kit (white)
D60XTIL	Egg Crate (black)
D60XTIL-1	Egg Crate (white)
D60XTIHH	Half-Shield (black)
D60XTIHH-1	Half-Shield (white)
400CC	C-Clamp (does not ship with luminaire)
400SC	Safety Cable (32")

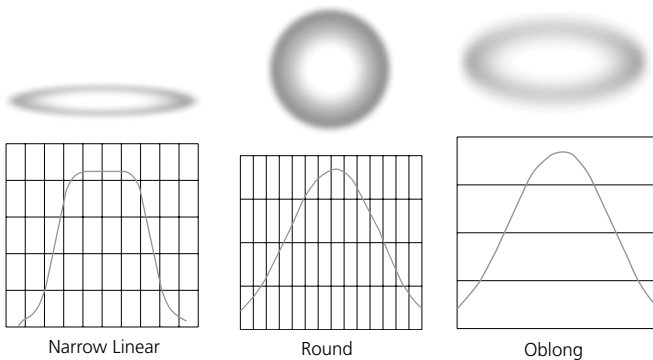
ADDITIONAL ORDERING INFORMATION

Secondary Lens Options

<b>MODEL</b>	<b>DESCRIPTION:</b> The following lenses are cut for D60XTI luminaires and create round, linear or oblong field patterns as described below. These lenses are not for use in Selador Classic™ (Vivid, Lustr®, Paletta™, etc.) fixtures.
<b>Narrow Linear Field</b>	Note: This is the same material as Selador Classic lenses. Not UV-stable, not for outdoors.
<b>Round Field</b>	Any one of the following round lenses may be installed permanently in the luminaires at the factory as a special order. UV-stable for outdoor use.
D60XTI-RVN	Very Narrow lens (round field)
D60XTI-RN	Narrow lens (round field)
D60XTI-RM	Medium lens (round field)
D60XTI-RW	Wide lens (round field)
D60XTI-RXW	Extra Wide lens (round field)
<b>Oblong Field</b>	UV-stable for outdoor use
D60XTI-ON	Narrow lens (oblong field)
D60XTI-OM	Medium lens (oblong field)
D60XTI-OW	Wide lens (oblong field)

[http://www.etconnect.com/docs/docs\\_downloads/miscdocs/Desire vs PAR EA revB.pdf](http://www.etconnect.com/docs/docs_downloads/miscdocs/Desire vs PAR EA revB.pdf)

Typical Lens Field Profiles



Power Consumption at Full Intensity (Average)

MODEL	VOLTAGE (V)	CURRENT (A)	WATTS
D60XTI	120 / 240	1	124

NOTES ABOUT LED LUMINAIRES

All LED sources experience some lessening of light output and color shift over time. LED output will vary with thermal conditions, which can be affected by ambient temperatures and orientation (see the D40 Ambient Temperature and Power Budgeting Guide for more details). Based on the LED manufacturer's B50 L70 specification, a Selador luminaire will achieve ~70% of its initial output after 50,000 hours of typical usage. In individual situations, LEDs will be used for different durations and at different levels. This can eventually lead to minor alterations in color performance, necessitating slight adjustment to presets, cues or programs.

CRI AND CQS RATINGS

Desire luminaires were evaluated for CRI and CQS performance using measured output spectrum and optimized mix solutions for a best spectral match to black body sources at 3200K and 5600K.

Fixture	CRI	CQS	Color Fidelity	Duv
D60XTI Vivid at 3200K	87	89	89	0.000
D60XTI Vivid at 5600K	90	92	92	0.000
D60XTI Lustr+ at 3200K	86	88	88	0.000
D60XTI Lustr+ at 5600K	93	92	90	0.000
D60XTI Studio HD at 3200K	89	90	91	0.000
D60XTI Studio HD at 5600K	92	94	94	0.000
D60XTI Studio Daylight at 5600K	71	70	69	0.001
D60XTI Studio Tungsten at 3000K	86	86	86	0.001

All D60XTI Studio luminaire versions provide excellent color rendering to the eye, particularly at higher color temperature settings such as 5600K. In most cases the Duv is 0.000. A Duv rating of 0.000 indicates that the color mix used is exactly on the black body line, with no green or magenta tint.

Notes to videographers:

- All Desire luminaires use LUXEON Rebel ES emitters specified by the strictest binning standards. However, on-camera LED response varies with different cameras and settings. Daylight LEDs can appear slightly greener than other 5600K sources on camera.
- Luminaires with non-variable single-color daylight arrays such as Studio Daylight may use standard color correction filters (Rosco 3314, Rosco 3316 or similar) to achieve the desired on-camera result.
- Camera tests using your specific set up are recommended to determine the best configuration.

## LENS INFORMATION

## Desire diffusion angle measurements

NOMINAL									
	No Lens	Very Narrow	Narrow	Medium	Wide	Extra Wide	Narrow Oval	Medium Oval	Wide Oval
<b>D60XTI</b>		25°	35°	45°	75°	N/A	20° x 40°	30° x 70°	35° x 80°
<b>LUSTR+</b>	18	22	27	42	69	104	20 x 37	25 x 60	30 x 82
<b>VIVID</b>	18	22	27	42	69	104	20 x 37	25 x 60	30 x 82
<b>FIRE</b>	18	23	28	42	69	103	21 x 38	25 x 60	30 x 82
<b>ICE</b>	18	22	28	42	69	99	20 x 37	25 x 60	30 x 82
<b>STUDIO HD</b>	18	23	28	42	69	104	21 x 29	25 x 61	30 x 82
<b>STUDIO D</b>	22	25	30	43	70	105	24 x 39	28 x 62	32 x 80
<b>STUDIO T</b>	23	25	30	43	70	105	24 x 39	28 x 62	32 x 80

Values in black refer to old lens descriptions.

CONTROL OPTIONS

User settings on D60XTI luminaires allow multiple operational modes and settings for console operation via DMX protocol. Some of the setting options are:

- Multiple DMX options ranging from a simple RGB profile – which effectively controls all seven LED colors via three channels – to nine-channel direct color and intensity control
- Multiple dimming curve options
- Preset colors and sequences for stand-alone (no console required) operation
- White point selection – white light and color behavior based on a specific color temperature white light (i.e. 3200K, 5600K, etc)
- Loss of data behavior options – instant-off, hold last look for two minutes, etc.
- Output modes – three output options that offer the user a choice between maximum output and maximum consistency

See the user manual for a complete explanation of all of the control settings and options for the D60XTI

Quick Setups

To assist in managing the numerous control and luminaire behavior choices, five combinations of operational settings are available to quickly get started. These settings are specifically created for different applications and are easily accessible at the luminaire display. Each setting can then be modified as required to take advantage of all of the possible control features.

Setting Title	Profile	Description	Typical Features*
General	Direct	Factory default: For general purpose use including interior architectural applications.	<ul style="list-style-type: none"> <li>• Standard dimming curve</li> <li>• Regulated output for color consistency</li> </ul>
Stage	HSI Plus 7 Enabled	Theatrical lighting: Duplicates the color and dimming behavior of tungsten stage lighting fixtures.	<ul style="list-style-type: none"> <li>• Incandescent dimming curve</li> <li>• Regulated output for color consistency</li> <li>• 3200K white point setting</li> </ul>
XT Arch	HSI	Exterior architectural lighting: Provides a high degree of color consistency in high ambient temperature environments.	<ul style="list-style-type: none"> <li>• Standard dimming curve</li> <li>• Protected output</li> <li>• 3200K white point setting</li> </ul>
High Impact	RGB	Event lighting: Enables quickest response, simple RGB control and strobe channel for maximum effect usage.	<ul style="list-style-type: none"> <li>• Quick dimming curve</li> <li>• Boost mode for maximum intensity</li> <li>• 5600K white point setting</li> </ul>
Studio	Studio	Video/film lighting: Enables three parameter control of white light (intensity, white point and tint) via DMX from console.	<ul style="list-style-type: none"> <li>• Linear dimming curve</li> <li>• Regulated output mode for color consistency</li> </ul>

\*See user manual for complete list of features for each Quick Setup.

CONTROL OPTIONS

DMX Input Channel Profiles

DMX Profile	DMX Channels	Channel Assignments	Notes
Direct	9	1 – Red 2 – Orange (white if Lustr+) 3 – Amber 4 – Green 5 – Cyan 6 – Blue 7 – Indigo 8 – Intensity 9 – Strobe	Direct control of each individual color with a separate master intensity channel. Color calibration of LEDs is not active in this mode. The nine-channel profile will produce the highest quality color crossfades.
HSI	5	1 – Hue (coarse) 2 – Hue (fine) 3 – Saturation 4 – Intensity 5 – Strobe	High-resolution hue (two-channels), saturation and intensity control. HSI mode will produce color crossfades around the color space.
HSIC	6	1 – Hue (coarse) 2 – Hue (fine) 3 – Saturation 4 – Intensity 5 – Strobe 6 – Color Point (CCT)	High-resolution hue, saturation and intensity control as above, with the addition of a color point channel to adjust the color temperature of the luminaire in both white light and color. Color crossfade performance is the same as EHSI.
RGB	5 (Ch. 4 not used)	1 – Red 2 – Green 3 – Blue 4 – n/a 5 – Strobe	Effectively addresses all seven colors via three channels of control. RGB profile will produce medium quality color crossfades.
Studio	3	1 – Intensity 2 – Color Point (CCT) 3 – Tint	Controls luminaire as a white light unit. If no DMX (i.e. console input) is present, fixture can be adjusted for these three parameters on the UI at the back of the unit.
Additional profile options			
Plus 7		Seven additional color control channels are available in RGB, HSI, HSIC and Studio profile settings. For example: HSI with Plus 7 enabled becomes a 14-channel profile-	
		1 – Hue (coarse) 2 – Hue (fine) 3 – Saturation 4 – Intensity 5 – Strobe 6 – n/a 7 – Plus 7 control on/off 8 – Red 9 – Orange (white if Lustr+) 10 – Amber 11 – Green 12 – Cyan 13 – Blue 14 – Indigo	<p>The desired color and intensity is achieved by using the HSI or RGB channels.</p> <p>Placing channel seven at a value over 51% gives the luminaire a 14-channel profile.</p> <p>Channels 8-14 represent the native colors of the luminaire and allow the operator to adjust individual color channels to fine-tune the color output.</p>
Strobe		Variable strobe control: 0% is no strobe. The fixture output will strobe more rapidly as the strobe channel value approaches 100%.	

CONTROL OPTIONS

Studio Daylight and Studio Tungsten (only)

Quick Set-Ups

Setting Title	Profile	Description	Typical Features*
Studio	Studio	Simple mode for linear intensity control	<ul style="list-style-type: none"> <li>• Linear dimming curve</li> <li>• Regulated output for intensity stability</li> </ul>
Single Channel	Direct	For general purpose architectural use	<ul style="list-style-type: none"> <li>• Standard dimming curve</li> <li>• Regulated output for consistency</li> </ul>
Stage	Direct	Matches conventional luminaire performance	<ul style="list-style-type: none"> <li>• Incandescent dimming curve</li> <li>• Regulated output</li> </ul>

CONTROL OPTIONS

DMX Input Channel Profiles

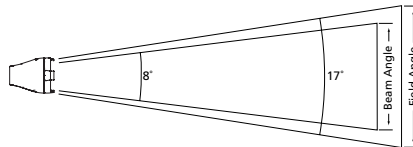
DMX Profile	DMX Channels	Channel Assignments	Notes
Studio	3	1 – Intensity 2 – Strobe 3 – N/A (only used in D60)	Control of parameters is also enabled from the luminaire's user interface. No console required.
Direct	3	1 – Intensity 2 – Strobe 3 – N/A (only used in D60)	

PHOTOMETRICS

D60XTI Vivid™

Mode	Degree	Candela	Field Lumens	Beam Lumens	Lumens Per Watt
Boost - cold	17°	170,540	3,760	1,667	31.9
Regulated	17°	132,451	3,050	1,305	30

Metric conversions: For meters, multiply feet by 0.3048  
For lux, multiply footcandles by 10.76

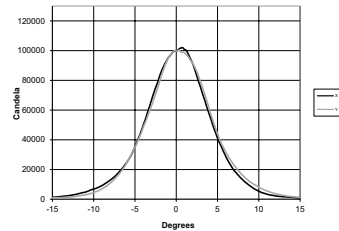


Throw Distance (d)	10.0'	15.0'	20.0'	25.0'	319'
	3.0m	4.6m	6.1m	7.6m	97m
Field Diameter	3.0'	4.4'	5.9'	7.4'	-
	.9m	1.4m	1.8m	2.3m	
Illuminance (fc)	1,617	719	404	259	1
Illuminance (lux)	17,405	7,736	4,351	2,785	10.76

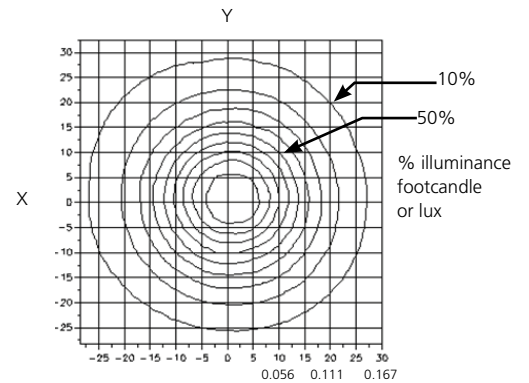
To determine center beam illumination in footcandles at any throw distance, divide candela by the throw distance squared

For field diameter at any distance, multiply distance by 0.295  
For beam diameter at any distance, multiply by 0.145

Cosine Candela Plot



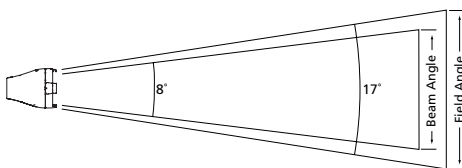
Iso-Illuminance Diagram (Flat Surface Distribution)



D60XTI Lustr+™

Mode	Degree	Candela	Field Lumens	Beam Lumens	Lumens Per Watt
Boost - cold	16°	195,012	4,317	1,931	34.9
Regulated	16°	180,097	3,850	1,748	34.3

Metric conversions: For meters, multiply feet by 0.3048  
For lux, multiply footcandles by 10.76

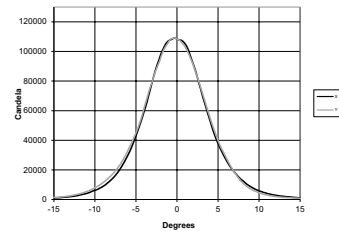


Throw Distance (d)	10'	15.0'	20.0'	25.0'	348'
	3.0m	4.6m	6.1m	7.6m	106m
Field Diameter	2.9'	4.3'	5.8'	7.2'	-
	.9m	1.3m	1.8m	2.2m	
Illuminance (fc)	1,828	812	457	292	1
Illuminance (lux)	19,676	8,745	4,919	3,148	10.76

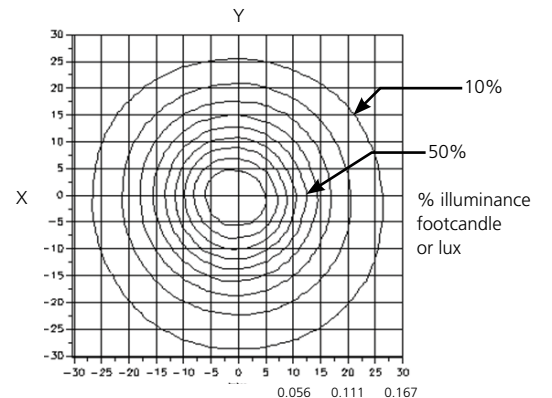
To determine center beam illumination in footcandles at any throw distance, divide candela by the throw distance squared

For field diameter at any distance, multiply distance by 0.288  
For beam diameter at any distance, multiply by 0.112

Cosine Candela Plot



Iso-Illuminance Diagram (Flat Surface Distribution)

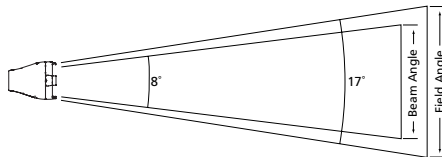


PHOTOMETRICS

D60XTI Fire

Mode	Degree	Candela	Field Lumens	Beam Lumens	Lumens Per Watt
Boost - cold	17°	177,597	4,112	1,866	37.9
Regulated	17°	133,760	3,075	1,399	36.6

Metric conversions: For meters, multiply feet by 0.3048  
For lux, multiply footcandles by 10.76

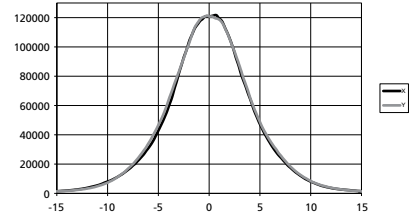


Throw Distance (d)	10.0'	15.0'	20.0'	25.0'	412'
	3.0m	4.6m	6.1m	7.6m	125.7m
Field Diameter	3.0'	4.5'	6.0'	7.5'	-
	.9m	1.4m	1.8m	2.3m	-
Illuminance (fc)	1,701	756	425	272	1
Illuminance (lux)	18,309	8,138	4,577	2,930	10.76

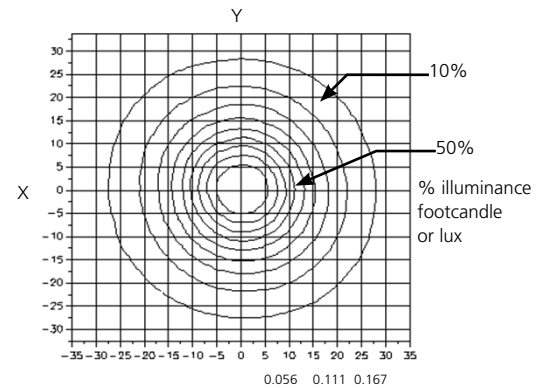
To determine center beam illumination in footcandles at any throw distance, divide candela by the throw distance squared

For field diameter at any distance, multiply distance by 0.301  
For beam diameter at any distance, multiply by 0.144

Cosine Candela Plot



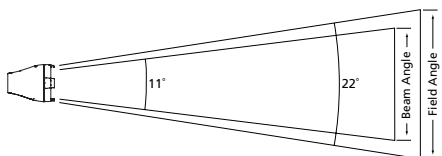
Iso-Illuminance Diagram (Flat Surface Distribution)



D60XTI Ice

Mode	Degree	Candela	Field Lumens	Beam Lumens	Lumens Per Watt
Boost - cold	16°	118,965	2,526	1,243	19.7
Regulated	16°	109,877	2,332	1,149	18.8

Metric conversions: For meters, multiply feet by 0.3048  
For lux, multiply footcandles by 10.76

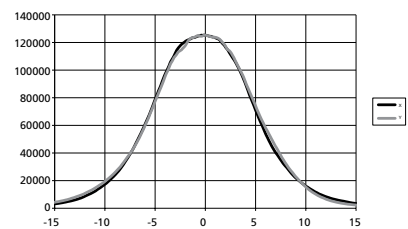


Throw Distance (d)	10.0'	15.0'	20.0'	30.0'	358.3'
	3.0m	4.6m	6.1m	9.1m	109.2m
Field Diameter	2.8'	4.2'	5.6'	7.0'	-
	.8m	1.3m	1.7m	2.1m	-
Illuminance (fc)	1,284	571	321	205	1
Illuminance (lux)	13,821	6,143	3,455	2,211	10.76

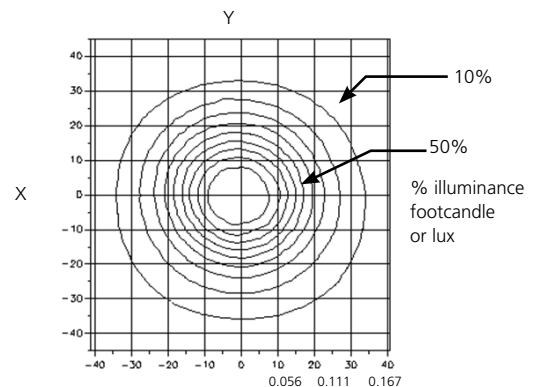
To determine center beam illumination in footcandles at any throw distance, divide candela by the throw distance squared

For field diameter at any distance, multiply distance by 0.278  
For beam diameter at any distance, multiply by 0.142

Cosine Candela Plot



Iso-Illuminance Diagram (Flat Surface Distribution)

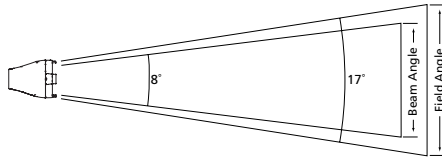


PHOTOMETRICS

D60XTI Studio HD

Mode	Degree	Candela	Field Lumens	Beam Lumens	Lumens Per Watt
Boost - cold	16°	198,209	4,532	1,916	33.4
Regulated	16°	185,414	4,224	1,780	33.7

Metric conversions: For meters, multiply feet by 0.3048  
For lux, multiply footcandles by 10.76

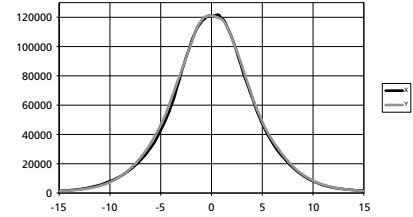


Throw Distance (d)	10.0'	15.0'	20.0'	25.0'	471.4'
	3.0m	4.6m	6.1m	7.6m	143.7m
Field Diameter	2.8'	4.2'	5.6'	7.0'	-
	0.9m	1.3m	1.7m	2.1m	-
Illuminance (fc)	2,222	988	556	356	1
Illuminance (lux)	23,917	10,630	5,979	3,827	10.76

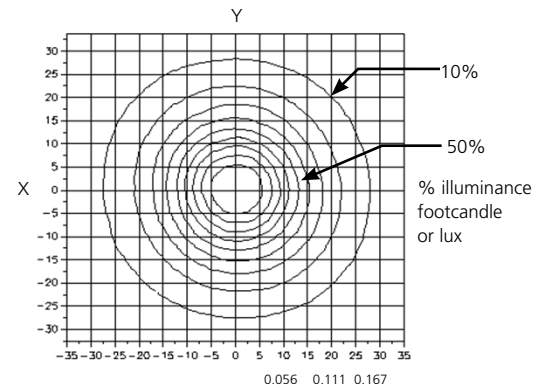
To determine center beam illumination in footcandles at any throw distance, divide candela by the throw distance squared

For field diameter at any distance, multiply distance by 0.281  
For beam diameter at any distance, multiply by 0.142

Cosine Candela Plot



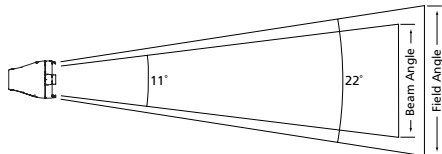
Iso-Illuminance Diagram (Flat Surface Distribution)



D60XTI Studio Daylight

Mode	Degree	Candela	Field Lumens	Beam Lumens	Lumens Per Watt
Boost - cold	22°	209,556	8,216	4,068	55.3
Regulated	22°	193,045	7,610	3,860	54.8

Metric conversions: For meters, multiply feet by 0.3048  
For lux, multiply footcandles by 10.76

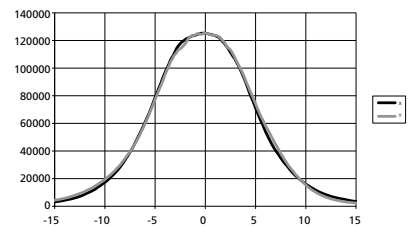


Throw Distance (d)	10'	15'	20'	25'	435.3'
	3.0m	4.6m	6.1m	7.6m	132.7m
Field Diameter	3.9'	5.8'	7.7'	9.7'	-
	1.2m	1.8m	2.4m	2.9m	-
Illuminance (fc)	1,895	842	474	303	1
Illuminance (lux)	20,398	9,066	5,099	3,264	10.76

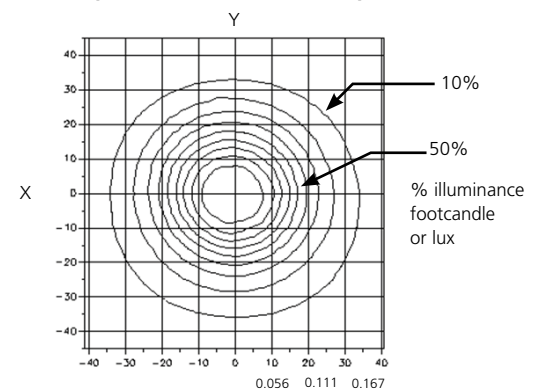
To determine center beam illumination in footcandles at any throw distance, divide candela by the throw distance squared

For field diameter at any distance, multiply distance by 0.387  
For beam diameter at any distance, multiply by 0.194

Cosine Candela Plot



Iso-Illuminance Diagram (Flat Surface Distribution)



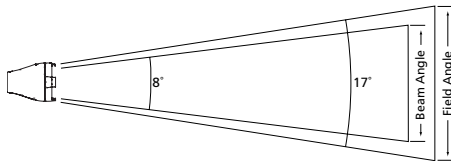


PHOTOMETRICS

D60XTI Studio Tungsten

Mode	Degree	Candela	Field Lumens	Beam Lumens	Lumens Per Watt
Boost - cold	23°	171,089	6,482	3,001	43.2
Regulated	23°	162,409	6,172	2,918	39.6

Metric conversions: For meters, multiply feet by 0.3048  
 For lux, multiply footcandles by 10.76



Throw Distance (d)	10'	15'	20'	25'	373.6'
	3.0m	4.6m	6.1m	7.6m	113.9m
Field Diameter	4.1'	6.2'	8.3'	10.4'	-
	1.3m	1.9m	2.5m	3.2m	-
Illuminance (fc)	1,395	620	349	223	1
Illuminance (lux)	15,020	6,676	3,755	2,403	10.76

For field diameter at any distance, multiply distance by 0.414  
 For beam diameter at any distance, multiply by 0.189

Throw Distance Multiplier (TDM)

To determine the distance from the center of the beam (Origin) to a certain illuminance level at a particular distance, multiply the desired throw distance by the TDM desired on the Iso-Illuminance diagram.

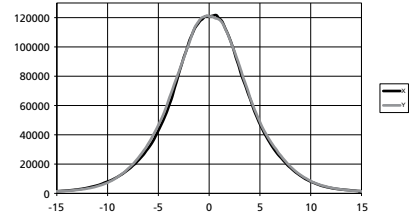
Throw Distance (TD) x Throw Distance Multiplier (TDM) = Distance from the Origin (DfO) (distance from the center of the beam)

Example: 25 feet (TD) x 0.047 (TDM) = 1.175 feet from center of beam (DfO)

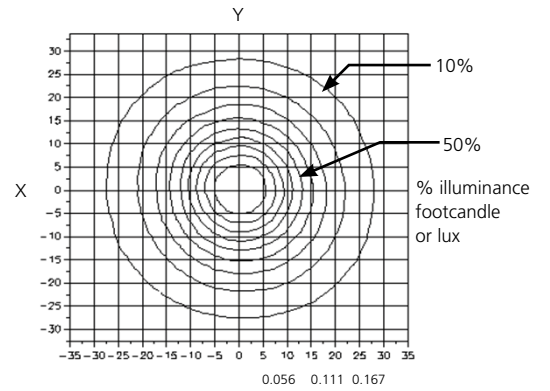
For illumination with any lamp, multiply the candlepower of a beam spread by the multiplying factor (mf) shown for that lamp.

To determine illumination in footcandles or lux at any throw distance, divide candlepower by distance squared.

Cosine Candela Plot



Iso-Illuminance Diagram (Flat Surface Distribution)



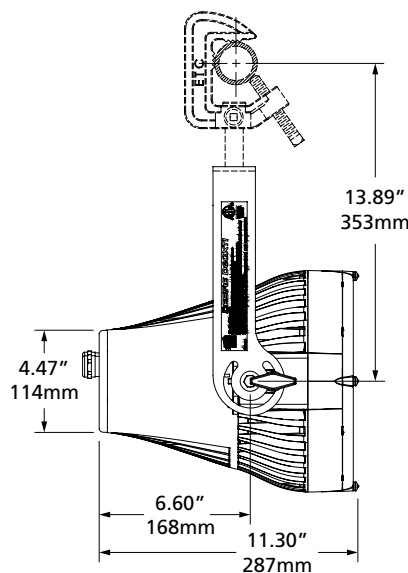
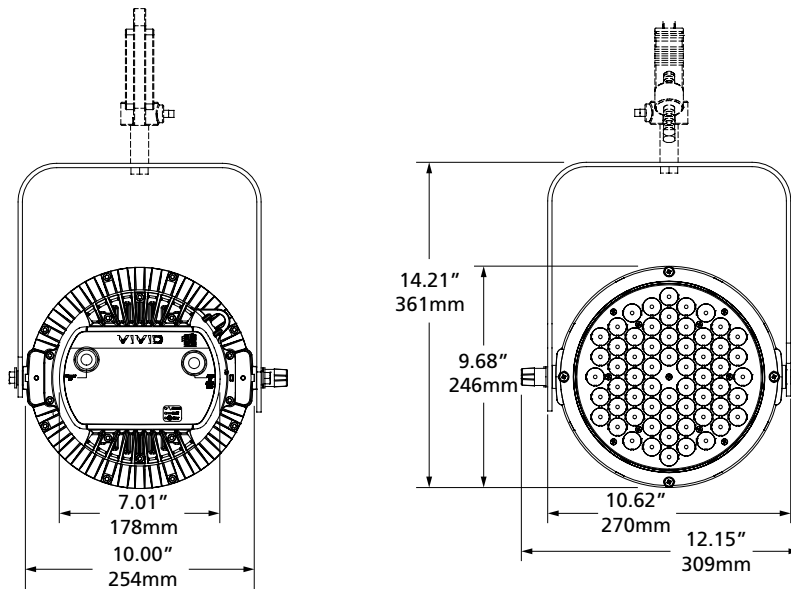
PHYSICAL

Selador D60XTI Weights and Dimensions

Total weight depends on how the individual luminaire is configured.

WEIGHT*		SHIPPING WEIGHT	
lbs	kgs	lbs	kgs
23	10.43	24.7	11.2

\* Does not include mounting hardware



Corporate Headquarters • 3031 Pleasant View Rd, PO Box 620979, Middleton WI 53562 0979 USA • Tel +1 608 831 4116 • Fax +1 608 836 1736

London, UK • Unit 26-28, Victoria Industrial Estate, Victoria Road, London W3 6UU, UK • Tel +44 (0)20 8896 1000 • Fax +44 (0)20 8896 2000

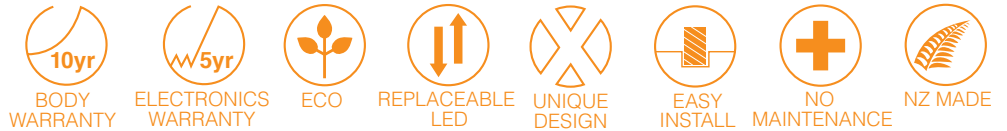
Rome, IT • Via Pieve Torina, 48, 00156 Rome, Italy • Tel +39 (06) 32 111 683 • Fax +44 (0)20 8752 8486

Holzkirchen, DE • Ohmstrasse 3, 83607 Holzkirchen, Germany • Tel +49 (80 24) 47 00-0 • Fax +49 (80 24) 47 00-3 00

Hong Kong • Room 1801, 18/F, Tower 1 Phase 1, Enterprise Square, 9 Sheung Yuet Road, Kowloon Bay, Kowloon, Hong Kong • Tel +852 2799 1220 • Fax +852 2799 9325

Web • www.etcconnect.com • Copyright©2016 ETC. All Rights Reserved. All product information and specifications subject to change. 7410L1013 Rev. E USA 04/2016

## CONFIGURE THIS PRODUCT



<b>M2</b>	<b>Power</b>	<b>Material</b>	<b>Flange</b>	<b>Lens Cover</b>	<b>Beam</b>	<b>Colour</b>	<b>Driver</b>	<b>Mount</b>
M2	2 Watt	A aluminium C copper S s/steel	R round S square L louvre * LR large round LS large square LL large louvre * SP spot GG glare guard WW wall washer * PL path light * SL step light * SLS step light with slot * SQ2 squarelight *	C clear F frosted H hexcell	8 8° TIR 26 26° 74 74° 15 + 40 oval TIR	R red G green B blue A amber WWW warm white 2700°K WW warm white 3000°K NW neutral white 4000°K CW cool white 5000°K	I integral R remote	B bracket BS bracket & spike R recessed WB weighty base

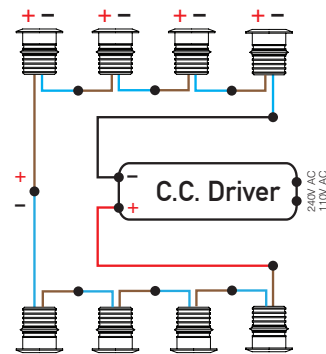
\* Only Colour and Driver options are applicable

## SPECIFICATIONS

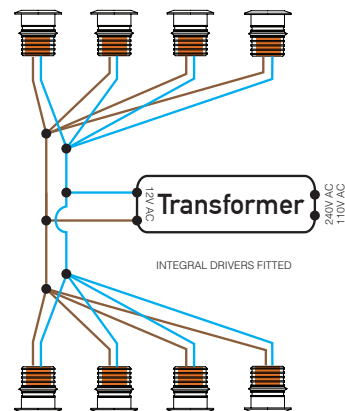
<b>Power</b>	2 Watt
<b>Ingress Protection Rating</b>	IP68
<b>Cable</b>	H05RN - F 1m included
<b>Material</b>	Black Anodised Aluminium excluding pondlight Natural Copper 316 Stainless Steel
<b>Hexcell Baffle Insert</b>	Hexcell beam orientation available for Round, Square & Spot flanges only
<b>Lens Cover</b>	Clear, Frosted Glass
<b>Removable Light Engine</b>	Pin mounted 2W Cree White XTE Chip
<b>Colours</b>	Warm White 2700°K, 3000°K Neutral White 4000°K Cool White 5000°K Red, Green, Blue, Amber
<b>CRI</b>	Ra 82
<b>Efficacy</b>	75 lm/W
<b>Optic Degrees</b>	8°, 26°, 74°, Oval, Path & Step, Wall washer
<b>Input</b>	700mA constant current (Remote) 12V AC (Integral)
<b>Warranty</b>	Electronics Warranty 5 years Body Warranty 10 years
<b>LEDshield</b>	LED Bypass Shunt



## REMOTE DRIVER WIRED IN SERIES



## INTEGRAL DRIVER + TRANSFORMER

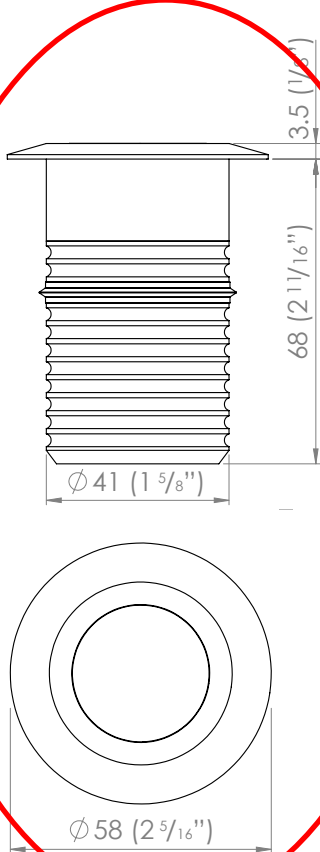


## INSTALLATION INSTRUCTIONS

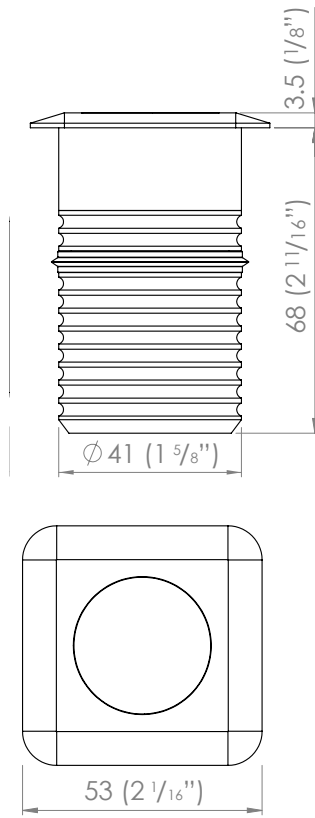
Connect remote driver versions in series.  
Connect integral driver versions in parallel.  
IP68 connector recommended. Never switch the output of a constant current driver. Driver must be switched off when connecting LED's to prevent damage.

ACCESSORIES: PVC Canister

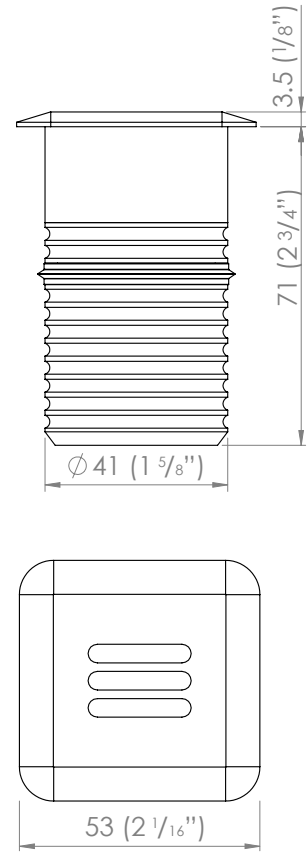
**ROUND DIMENSIONS**



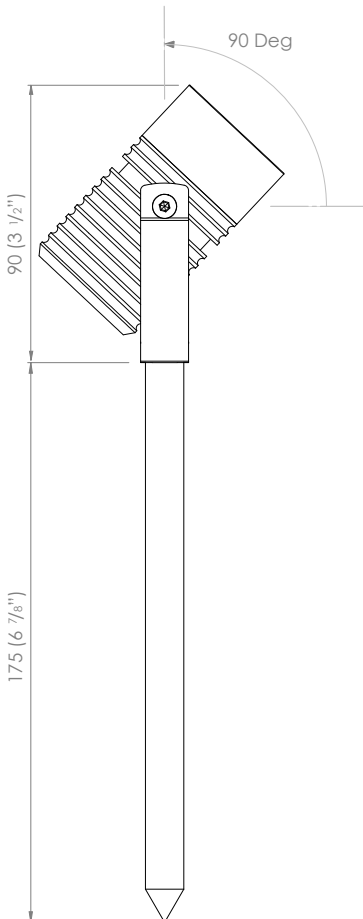
**SQUARE DIMENSIONS**



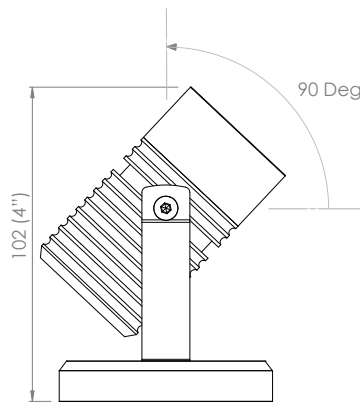
**LOUVRE DIMENSIONS**



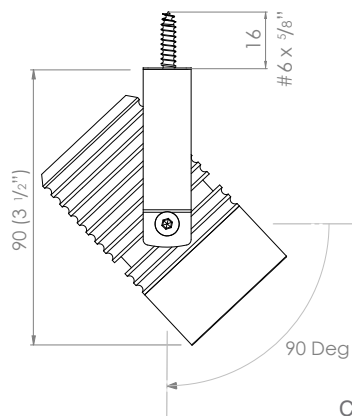
**SPOT LIGHT DIMENSIONS  
SPIKE MOUNT**



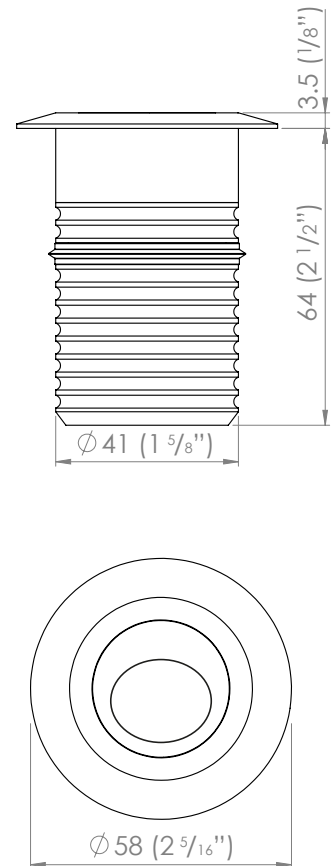
**POND LIGHT DIMENSIONS  
WEIGHTED MOUNT**



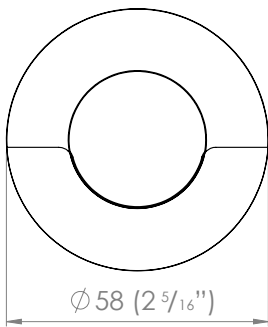
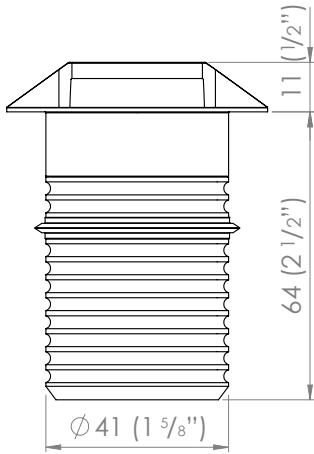
**SPOT WITH BRACKET  
DIMENSIONS**



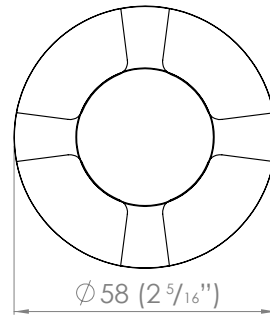
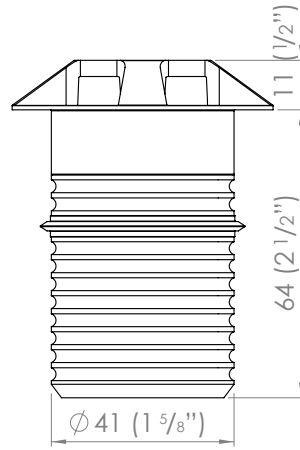
**WALL WASHER DIMENSIONS**



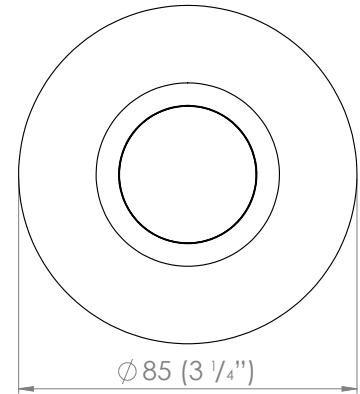
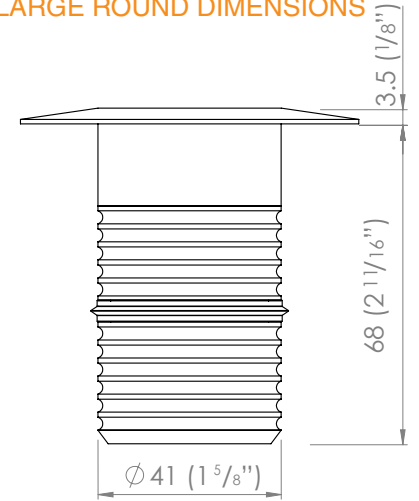
**STEP LIGHT DIMENSIONS**



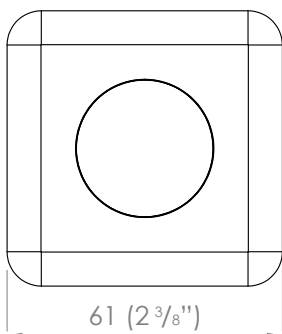
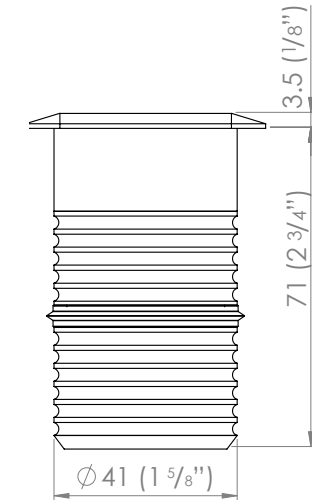
**PATH LIGHT DIMENSIONS**



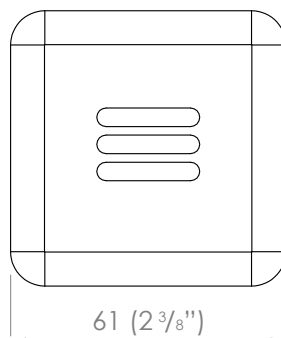
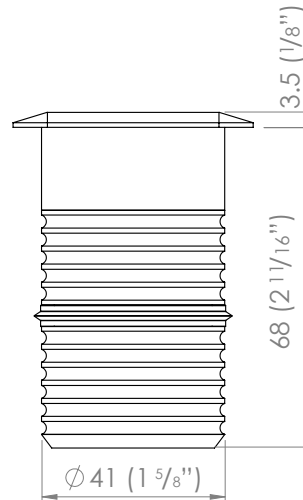
**LARGE ROUND DIMENSIONS**



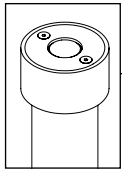
**LARGE SQUARE DIMENSIONS**



**LARGE SQUARE LOUVRE DIMENSIONS**







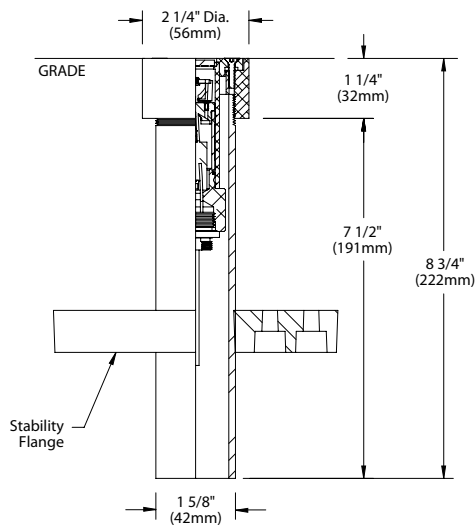
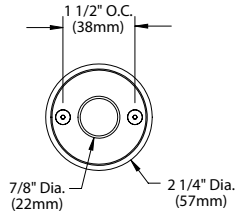
the power of

## MINI-MICRO™ RECESSED UPLIGHT

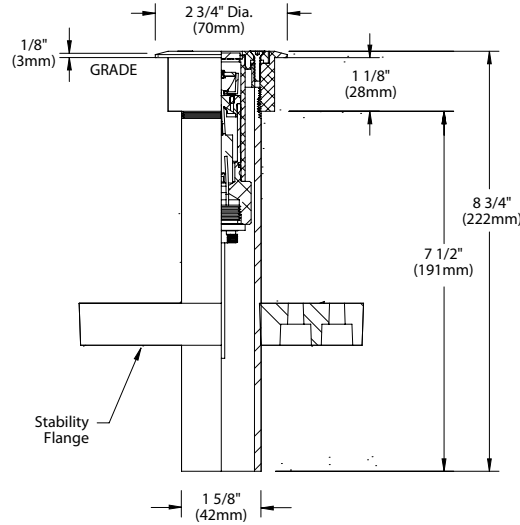
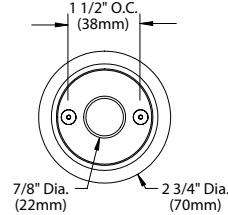


PROJECT:	
TYPE:	

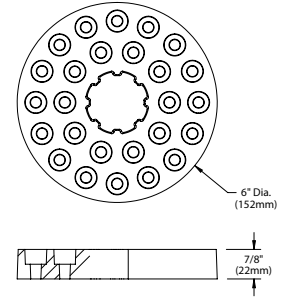
### FLUSH MOUNT



### SURFACE MOUNT



### STABILITY FLANGE



All dimensions indicated on this submittal are nominal. Contact Technical Sales if you require more stringent specifications.

## SPECIFICATIONS

### GreenSource Initiative™

Metal and packaging components are made from recycled materials. Manufactured using renewable solar energy, produced on site. Returnable to manufacturer at end of life to ensure cradle-to-cradle handling. Packaging contains no chlorofluorocarbons (CFC's). Use of this product may qualify for GreenSource efficacy and recycling rebate(s). Consult [www.bklighting.com/greensource](http://www.bklighting.com/greensource) for program requirements.

### Materials

Furnished in Copper-Free Aluminum (Type 6061-T6), Brass (Type 360) or Stainless Steel (Type 304).

### Body

Fully machined from solid billet. Unibody design provides enclosed, water-proof wireway and integral heat sink for maximum component life. High temperature, silicone 'O' Ring provides water-tight seal. Provided with hard-coat (Type III) black anodize finish for maximum corrosion resistance. Weather-tight cable connector with 5' 18Ga, 2 wire low voltage cable.

### Housing

Fixture provided with 1-5/8" dia., Schedule 80 PVC housing for direct burial into soil or concrete. 6" dia., molded stability flange projects into substrate to simplify installation and reinforce housing stability. Integral concrete pour collar for flush installation with finished grade. Collar material and finish to match faceplate. (2) Threaded holes for faceplate installation.

### Faceplate

Fully machined from solid billet. Countersunk holes provide for flush hardware mounting. Accommodates [1] lens or louver media.

### Lens

Shock resistant, tempered, glass lens is factory adhered to faceplate and provides hermetically sealed optical compartment. Specify soft focus (#12) or rectilinear (#13) lens.

### BKSSL®

Integrated solid state system with 'e' technology. High power, forward throw source complies with ANSI C78.377 binning requirements. Exceeds ENERGY STAR® lumen maintenance requirements. LM-80 certified components.

Integral non-dimming driver. Minimum 50,000 hour rated life at 70% of initial lumens (L70). BKSSL technology provides long life, significant energy reduction and exceptional thermal management.

### Optics

OPTIKIT™ modules are color-coded for easy reference: Narrow Spot (NSP) = Red, Spot (SP) = Green. Medium Flood (MFL) = Yellow and Asymmetrical (ASY) = Purple.

### Installation

Flush Mount features integral concrete pour collar. Top edge of collar to be installed flush with finished grade. Collar material and finish to match faceplate. (2) Threaded holes for faceplate installation. Faceplate is suitable for walk-over and drive-over applications to 35,000 lbs. GWW.

Surface Mount features fully machined copper-free aluminum installation collar. Collar material and finish to match faceplate. (2) Threaded holes for faceplate installation.

### Remote Transformer

For use with 12VAC BKSSL remote transformer or magnetic transformers only. B-K Lighting cannot guarantee performance with third party manufacturers' transformers.

### Wiring

PVC coated, 18AWG, 150V, 60°C rated and certified to UL 1838 standard. Anti-Siphon Valve (ASV™) prevents "wicking" through conductor insulation.

### Hardware

Tamper-resistant, stainless steel hardware. Faceplate screws are additionally black oxide treated for additional corrosion resistance.

### Finish

StarGuard®, our exclusive RoHs compliant, 15 stage chromate-free process cleans and conversion coats aluminum components prior to application of Class 'A' TGIC polyester powder coating. Brass components are available in powder coat or handcrafted metal finish. Stainless steel components are available in handcrafted metal finish. (Brushed finish for interior use only).

### Warranty

5 year limited warranty.

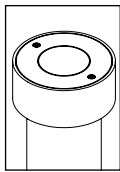
### Certification and Listing

ITL tested to IESNA LM-79. UL Listed. Certified to CAN/CSA/ANSI Standards. RoHs compliant. Suitable for use in wet locations. Suitable for walk-over and drive-over applications to 35,000 lbs. GWW. Suitable for ground-mounted recessed. IP66 Rated. Made in USA.



\*Energy Star is a registered trademark of the United States Environmental Protection Agency.

<b>B-K LIGHTING</b>	40429 Brickyard Drive • Madera, CA 93636 • USA 559.438.5800 • FAX 559.438.5900 www.bklighting.com • info@bklighting.com	RELEASED 01-29-16	DRAWING NUMBER SUB000933
	<p style="text-align: center;"><b>GREG DAY Lighting</b> <span style="float: right;"><b>TYPE G2</b></span></p>		



**BKSSL**  
SOLID STATE LIGHTING



# CANAL PLAZA ARTISTAR™ RECESSED UPLIGHT

<b>PROJECT:</b>	
<b>TYPE:</b>	
<b>CATALOG NUMBER:</b>	
<b>SOURCE:</b>	
<b>NOTES:</b>	

## CATALOG NUMBER LOGIC

**Example**    S - UL - F - AR - LED - e64 - NSP - A6 - BLW - 12 - 11

**Material**  
**Blank** - Aluminum  
**B** - Brass  
**S** - Stainless Steel

**Series**  
**UL** - Recessed Uplight

**Installation**  
**F** - Flush mount  
**S** - Surface mount

**Fixture**  
**AR** - ArtiStar™

**Source**  
**LED** - 'e' Technology with Integral Dimming Driver (25W min. load when dimmed).  
*Designed for use with remote 12VAC BKSSL® transformers. Requires magnetic Low Voltage dimmer.*

**LED Type**

**Optics\***  
**e64** - 7WLED/2.7K      **e66** - 7WLED/4K  
**e65** - 7WLED/3K      **e74** - 7WLED/Amber

**Adjust-e-Lume® Output Intensity** (Choose factory setting)  
**A9** (Standard), **A8, A7, A6, A5, A4, A3, A2, A1**

**Finish**

Aluminum Finish			Brass Finish		Premium Finish		
<b>Powder Coat Color</b>	<b>Satin</b>	<b>Wrinkle</b>	Machined	<b>MAC</b>	<b>ABP</b> Antique Brass Powder	<b>CMG</b> Cascade Mountain Granite	<b>RMG</b> Rocky Mountain Granite
Bronze	<b>BZP</b>	<b>BZW</b>	Polished	<b>POL</b>	<b>AMG</b> Aleutian Mountain Granite	<b>CRI</b> Cracked Ice	<b>SDS</b> Sonoran Desert Sandstone
Black	<b>BLP</b>	<b>BLW</b>	Mitique™	<b>MIT</b>	<b>AQW</b> Antique White	<b>CRM</b> Cream	<b>SMG</b> Sierra Mountain Granite
White (Gloss)	<b>WHP</b>	<b>WHW</b>	Stainless Finish		<b>BCM</b> Black Chrome	<b>HUG</b> Hunter Green	<b>TXF</b> Textured Forest
Aluminum	<b>SAP</b>	—	Machined	<b>MAC</b>	<b>BGE</b> Beige	<b>MDS</b> Mojave Desert Sandstone	<b>WCP</b> Weathered Copper
Verde	—	<b>VER</b>	Polished	<b>POL</b>	<b>BPP</b> Brown Patina Powder	<b>NBP</b> Natural Brass Powder	<b>WIR</b> Weathered Iron
			Brushed	<b>BRU</b> <small>Interior use only.</small>	<b>CAP</b> Clear Anodized Powder	<b>OCP</b> Old Copper	<small>Also available in RAL Finishes See submittal SUB-1439-00</small>

**Lens**  
**12** - Soft Focus Lens      **13** - Rectilinear Lens

**Shielding**  
**11** - Honeycomb Baffle

DRIVER DATA	Input Volts	InRush Current	Operating Current	Dimmable	Operation Ambient Temperature
	12VAC/DC 50/60Hz	250mA (non-dimmed)	700mA	Magnetic Low Voltage Dimmer	-22°F-194°F (-30°C - 90°C)

### LM79 DATA

BK No.	CCT (Typ.)	Input Watts (Typ.)	CRI (Typ.)
e64	2700K	7.0	80
e65	3000K	7.0	80
e66	4000K	7.0	80
e74	Amber (590nm)	7.0	~

### L70 DATA

Minimum Rated Life (hrs.) 70% of initial lumens(L70)
50,000
50,000
50,000
50,000

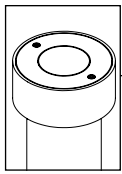
### \* OPTICAL DATA

Beam Type	Angle	e66 CBCP	Visual Indicator
Narrow Spot	13°	6889	Red Dot
Spot	15°	5225	Green Dot
Medium Flood	23°	1984	Yellow Dot
Wide Flood	31°	1300	Blue Dot

<b>B-K LIGHTING</b>	40429 Brickyard Drive • Madera, CA 93636 • USA 559.438.5800 • FAX 559.438.5900 www.bklighting.com • info@bklighting.com	RELEASED 03-01-16	DRAWING NUMBER SUB-2322-00
	THIS DOCUMENT CONTAINS PROPRIETARY INFORMATION OF B-K LIGHTING, INC. AND ITS RECEIPT OR POSSESSION DOES NOT CONVEY ANY RIGHTS TO REPRODUCE, DISCLOSE ITS CONTENTS, OR TO MANUFACTURE, USE OR SELL ANYTHING IT MAY DESCRIBE. REPRODUCTION, DISCLOSURE OR USE WITHOUT SPECIFIC WRITTEN AUTHORIZATION OF B-K LIGHTING, INC. IS STRICTLY FORBIDDEN.		



ARTISTAR™ RECESSED UPLIGHT

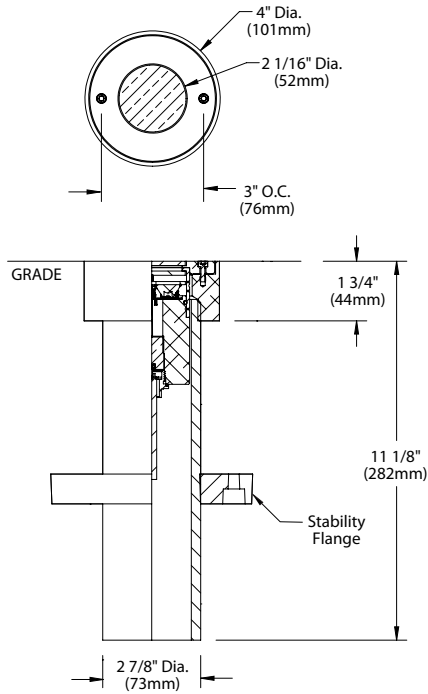


BKSSL®  
SOLID STATE LIGHTING

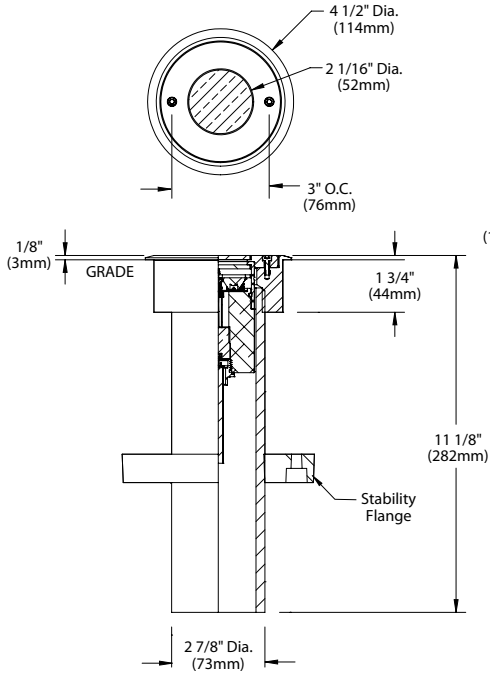
the power of dimming with adjust-e-lume® TECHNOLOGY

PROJECT:	
TYPE:	

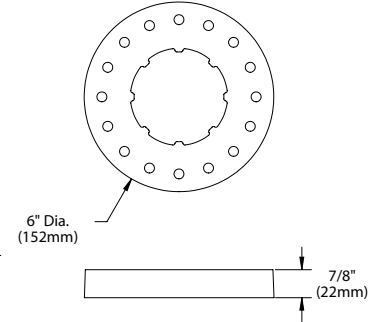
FLUSH MOUNT



SURFACE MOUNT



STABILITY FLANGE



All dimensions indicated on this submittal are nominal. Contact Technical Sales if you require more stringent specifications.

SPECIFICATIONS

GreenSource Initiative™

Metal and packaging components are made from recycled materials. Manufactured using renewable solar energy, produced on site. Returnable to manufacturer at end of life to ensure cradle-to-cradle handling. Packaging contains no chlorofluorocarbons (CFC's). Use of this product may qualify for GreenSource efficacy and recycling rebate(s). Consult [www.bklighting.com/greensource](http://www.bklighting.com/greensource) for program requirements.

Materials

Furnished in Copper-Free Aluminum (Type 6061-T6), Brass (Type 360) or Stainless Steel (Type 304).

Body

Fully machined from solid billet. Unibody design provides enclosed, water-proof wireway and integral heat sink for maximum component life. Provided with hard-coat (Type III) black anodize finish for maximum corrosion resistance. Weather-tight cable connector with 5' 18Ga., 2 wire low voltage cable. High temperature, silicone 'O' Ring provides water-tight seal.

Housing

Fixture provided with 2-7/8" dia., Schedule 80 PVC housing for direct burial into soil or concrete. 6" dia., molded stability flange projects into substrate to simplify installation and reinforce housing stability.

Faceplate

Fully machined from solid billet. Countersunk holes provide for flush hardware mounting. Accommodates [1] lens or louver media.

Lens

Shock resistant, tempered, glass lens is factory adhered to fixture cap and provides hermetically sealed optical compartment. Specify soft focus (#12) or rectilinear (#13) lens.

BKSSL®

Integrated solid state system with 'e' technology is scalable for field upgrade. Modular design with electrical quick disconnects permit field maintenance. High power, forward throw source complies with ANSI C78.377 binning requirements. Exceeds ENERGY STAR® lumen maintenance requirements. LM-80 certified components.

Integral, constant current driver. 12VAC/VDC input. 50/60Hz. Proprietary input control scheme achieves power factor correction and eliminates inrush current. Output, over-voltage, open-circuit, and short circuit protected. Inrush current limited to <250mA (non-dimming). Conforms to Safety Std. C22.2 No. 250.13-12.

Line voltage dimmable via magnetic low voltage dimmer. For use with low voltage dimmer with dedicated neutral conductor. For purposes of dimming: Remote magnetic transformer with BKSSL® Power of 'e' technology loads should be loaded to 25% of the transformer VA (watts) rated value.

Adjust-e-Lume® (Pat. Pending)

Integral electronics allows dynamic lumen response at the individual fixture. Indexed (100% to 25% nom.) lumen output. Maintains output at desired level or may be changed as conditions require. Specify factory preset output intensity.

Optics

Interchangeable OPTIKIT™ modules permit field changes to optical distribution. Color-coded for easy reference: Narrow Spot (NSP) = Red. Spot (SP) = Green. Medium Flood (MFL) = Yellow. Wide Flood (WFL) = Blue.

Installation

Flush Mount features integral concrete pour collar. Top edge of collar to be installed flush with finished grade. Collar material and finish to match faceplate. (2) Threaded holes for faceplate installation. Faceplate is suitable for walk-over and drive-over applications to 35,000 lbs. GW.

Surface Mount features fully machined copper-free aluminum installation collar. Collar material and finish to match faceplate. (2) Threaded holes for faceplate installation.

Remote transformer

For use with 12VAC remote transformer or magnetic transformers only. B-K Lighting cannot guarantee performance with third party manufacturers' transformers.

Wiring

PVC coated, 18AWG, 150V, 60°C rated and certified to UL 1838 standard. Anti-Siphon Valve (ASV™) prevents "wicking" through conductor insulation.

Hardware

Tamper-resistant, stainless steel hardware. Faceplate screws are additionally black oxide treated for additional corrosion resistance.

Finish

StarGuard®, our exclusive RoHs compliant, 15 stage chromate-free process cleans and conversion coats aluminum components prior to application of Class 'A' TGIC polyester powder coating. Brass components are available in powder coat or handcrafted metal finish. Stainless steel components are available in handcrafted metal finish. (Brushed finish for interior use only).

Warranty

5 year limited warranty.

Certification and Listing





ITL tested to IESNA LM-79. UL Listed. Certified to CAN/CSA/ANSI Standards. RoHs compliant. Suitable for indoor or outdoor use. Suitable for use in wet locations. IP 66 Rated. Made in USA.



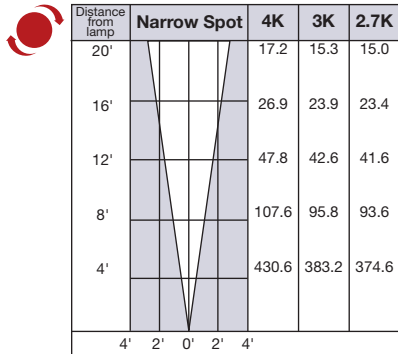
\*Energy Star is a registered trademark of the United States Environmental Protection Agency.

<p><b>B-K LIGHTING</b></p>	<p>40429 Brickyard Drive • Madera, CA 93636 • USA 559.438.5800 • FAX 559.438.5900 <a href="http://www.bklighting.com">www.bklighting.com</a> • <a href="mailto:info@bklighting.com">info@bklighting.com</a></p>	RELEASED	DRAWING NUMBER
		03-01-16	SUB-2322-00

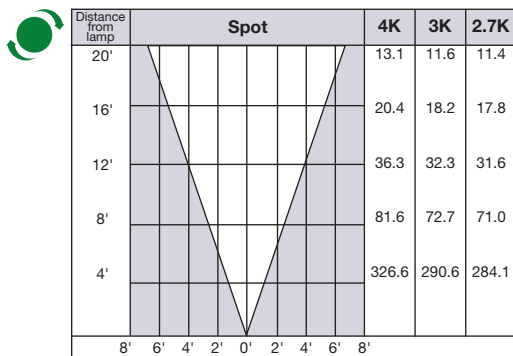
Select OptiKit™ for desired distribution

- RED**  **Narrow Spot (NSP)**
- GREEN**  **Spot (SP)**
- YELLOW**  **Medium Flood (MFL)**
- BLUE**  **Wide Flood (WFL)**

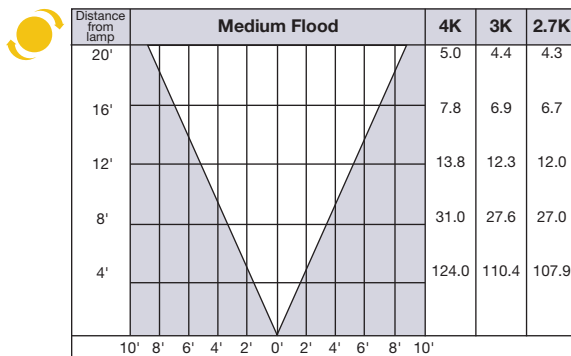
Set adjust-e-lume® Dial to desired output



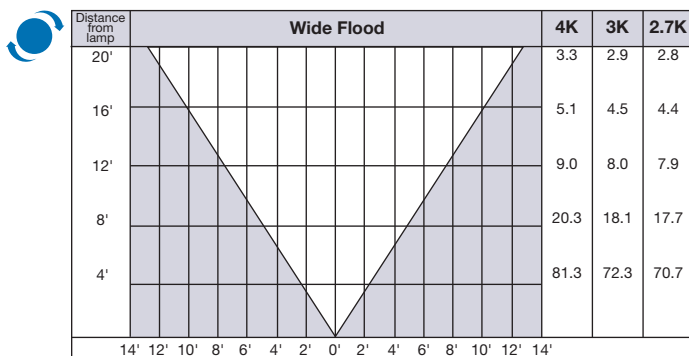
Note: If using No. 11 honeycomb baffle multiply footcandle values by .80



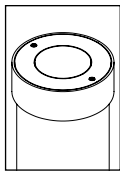
Note: If using No. 11 honeycomb baffle multiply footcandle values by .80



Note: If using No. 11 honeycomb baffle multiply footcandle values by .80



Note: If using No. 11 honeycomb baffle multiply footcandle values by .80



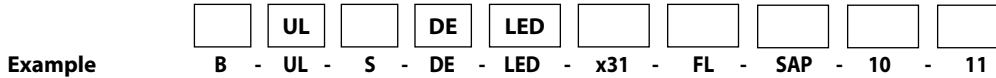
**BKSSL**  
SOLID STATE LIGHTING  
18-29W LED



# CANAL PLAZA DENALI™ RECESSED UPLIGHT

<b>PROJECT:</b>	
<b>TYPE:</b>	
<b>CATALOG NUMBER:</b>	
<b>SOURCE:</b>	
<b>NOTES:</b>	

## CATALOG NUMBER LOGIC



**Material**  
**Blank** - Aluminum  
**B** - Brass  
**S** - Stainless Steel

**Series**  
**UL** - Recessed Uplight

**Installation**  
**F** - Flush mount  
**S** - Surface mount

**Fixture**  
**DE** - Denali Series™

**Source**  
**LED** - 'X' Module with Cold Phosphor Technology

**LED Type**  
**x30** - 18WLED/2.7K      **x32** - 18WLED/4K      **x34** - 29WLED/3K  
**x31** - 18WLED/3K      **x33** - 29WLED/2.7K      **x35** - 29WLED/4K

**Optics\***  
**SP** - Spot (20°)      **FL** - Flood (40°)      **WFL** - Wide Flood (60°)

**Finish**

**Configure Driver Housing Separately**  
**Driver Housing Required**  
**REMOTE DRIVER HOUSINGS:**  
**HP2RM** - HP2 Remote Housing  
**PM2RM** - Universal Power Module 2 Remote  
**PM2DRM** - Universal Power Module 2 Dual Remote  
**RM** - Remote Wall Mount  
**DRM** - Dual Remote Wall Mount

Aluminum Finish			Brass Finish		Premium Finish		
Powder Coat Color	Satin	Wrinkle	Machined	MAC	ABP	CMG	RMG
Bronze	<b>BZP</b>	<b>BZW</b>	Polished	<b>POL</b>	<b>AMG</b> Aleutian Mountain Granite	<b>CRI</b> Cracked Ice	<b>SDS</b> Sonoran Desert Sandstone
Black	<b>BLP</b>	<b>BLW</b>	Mitique™	<b>MIT</b>	<b>AQW</b> Antique White	<b>CRM</b> Cream	<b>SMG</b> Sierra Mountain Granite
White (Gloss)	<b>WHP</b>	<b>WHW</b>	Stainless Finish		<b>BCM</b> Black Chrome	<b>HUG</b> Hunter Green	<b>TXF</b> Textured Forest
Aluminum	<b>SAP</b>	—	Machined	<b>MAC</b>	<b>BGE</b> Beige	<b>MDS</b> Mojave Desert Sandstone	<b>WCP</b> Weathered Copper
Verde	—	<b>VER</b>	Polished	<b>POL</b>	<b>BPP</b> Brown Patina Powder	<b>NBP</b> Natural Brass Powder	<b>WIR</b> Weathered Iron
			Brushed	<b>BRU</b> <small>Interior use only.</small>	<b>CAP</b> Clear Anodized Powder	<b>OCP</b> Old Copper	<small>Also available in RAL Finishes See submittal SUB-1439-00</small>

**Lens**  
**9** - Clear (Standard)      **10** - Spread Lens      **12** - Soft Focus Lens      **13** - Rectilinear Lens

**Shielding**  
**11** - Honeycomb Baffle

\*Accommodates only 2 Lens/Shielding media

### LM79 DATA

BK No.	Lumens (Source)	CCT (Typ.)	CRI (Ra. Typ.)	Color Consistency	Input Watts (Typ.)
x30	1300	2700K	>80	±40K	18
x31	1300	3000K	>80	±50K	18
x32	1300	4000K	>80	±70K	18
x33	2000	2700K	>80	±40K	29
x34	2000	3000K	>80	±50K	29
x35	2000	4000K	>80	±70K	29

### L70 DATA

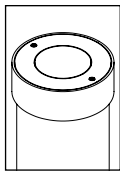
Minimum Rated Life (hrs.) 70% of initial lumens (L70)
50,000
50,000
50,000

### OPTICAL DATA

Beam Type	Angle	(x32) CBCP	(x35) CBCP
Spot	20°	2899	4222
Flood	40°	1270	1878
Wide Flood	60°	968	1450

<b>B-K LIGHTING</b>	40429 Brickyard Drive • Madera, CA 93636 • USA 559.438.5800 • FAX 559.438.5900 www.bklighting.com • info@bklighting.com	RELEASED 07-10-15	DRAWING NUMBER SUB-2323-00
	THIS DOCUMENT CONTAINS PROPRIETARY INFORMATION OF B-K LIGHTING, INC. AND ITS RECEIPT OR POSSESSION DOES NOT CONVEY ANY RIGHTS TO REPRODUCE, DISCLOSE ITS CONTENTS, OR TO MANUFACTURE, USE OR SELL ANYTHING IT MAY DESCRIBE. REPRODUCTION, DISCLOSURE OR USE WITHOUT SPECIFIC WRITTEN AUTHORIZATION OF B-K LIGHTING, INC. IS STRICTLY FORBIDDEN.		

DENALI™ RECESSED UPLIGHT

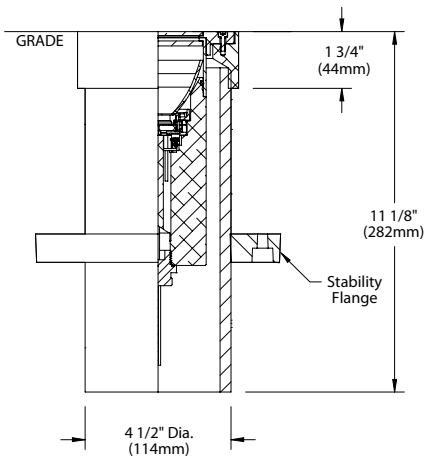
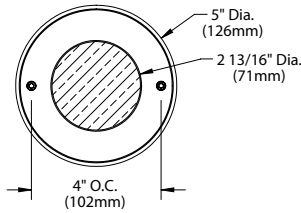


**BKSSL**  
SOLID STATE LIGHTING  
18-29W LED

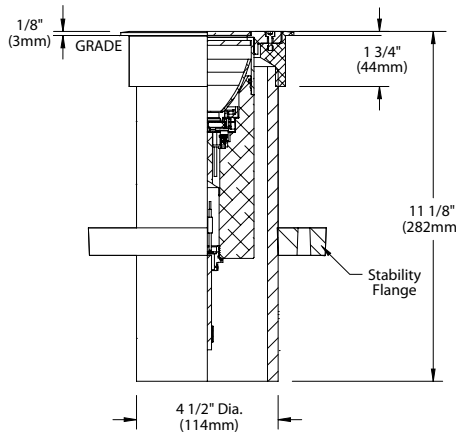
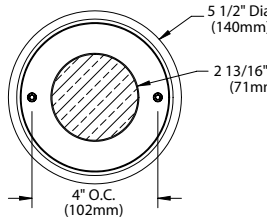


PROJECT:	
TYPE:	

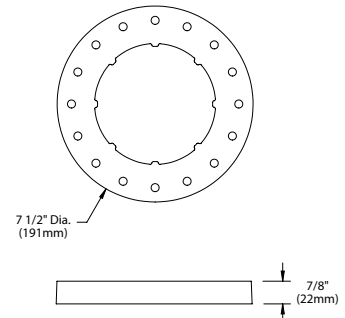
**FLUSH MOUNT**



**SURFACE MOUNT**

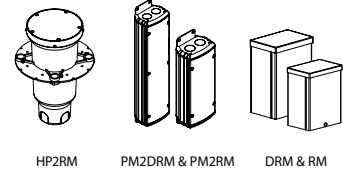


**STABILITY FLANGE**



Accessories (Configure separately)

Drivers:



All dimensions indicated on this submittal are nominal.  
Contact Technical Sales if you require more stringent specifications.

**SPECIFICATIONS**

**GreenSource Initiative™**

Metal and packaging components are made from recycled materials. Manufactured using renewable solar energy, produced on site. Returnable to manufacturer at end of life to ensure cradle-to-cradle handling. Packaging contains no chlorofluorocarbons (CFC's). Use of this product may qualify for GreenSource efficacy and recycling rebate(s). Consult [www.bklighting.com/greensource](http://www.bklighting.com/greensource) for program requirements.

**Materials**

Furnished in Copper-Free Aluminum (Type 6061-T6), Brass (Type 360) or Stainless Steel (Type 304).

**Body**

Fully machined from solid billet. Unibody design provides enclosed, water-proof wireway and integral heat sink for maximum component life. Provided with hard-coat (Type III) black anodize finish for maximum corrosion resistance. Weather-tight cable connector with 5' 18Ga., 2 wire low voltage cable. High temperature, silicone 'O' Ring provides water-tight seal.

**Housing**

Fixture provided with 4-1/2" dia., Schedule 80 PVC housing for direct burial into soil or concrete. 7.5" dia., molded stability flange projects into substrate to simplify installation and reinforce housing stability.

**Faceplate**

Fully machined from solid billet. Countersunk holes provide for flush hardware mounting. Accommodates [2] lens or louver media.

**Lens**

Shock resistant, tempered, glass lens is factory adhered to fixture cap and provides hermetically sealed optical compartment. Specify (#10) spread lens, soft focus (#12) or rectilinear (#13) lens.

**BKSSL™**

Integrated solid state system with 'X' technology is scalable for field upgrade. Modular design with electrical quick disconnects permit field maintenance.

LM-80 certified. Minimum 50,000 hour rated life at 70% of initial lumens (L70). BKSSL technology provides long life, significant energy reduction and exceptional thermal management.

**Color Management**

Corrected cold phosphor technology delivers near-perfect natural white light. Long term phosphor maintenance over product life. Exact color point conformity exceeds ANSI C78.377 standard. Provides uniform beam with no color variation over angle. Module exceeds 80 CRI (RA>80, R9>16).

**Installation**

Flush Mount features integral concrete pour collar. Top edge of collar to be installed flush with finished grade. Collar material and finish to match faceplate. (2) Threaded holes for faceplate installation. Faceplate is suitable for walk-over and drive-over applications to 35,000 lbs. GWW.

Surface Mount features fully machined copper-free aluminum installation collar. Collar material and finish to match faceplate. (2) Threaded holes for faceplate installation.

**Remote Driver**

For use with remote LED driver. See remote driver submittal to determine remote distance and wiring requirements prior to detailing field installation of any remote wiring.

**Driver**

1A, Class A, constant current driver. 120-277VAC (nominal) primary input voltage. 50/60Hz. >0.94 Power Factor, <15.0A in-rush current, 0.25A input current, ≤20%THD (nominal at 120VAC full load). Output over-voltage, over-current, and short circuit protection with auto recovery. EMC: FCC47CFR Part 15 Class B compliant.

Dimming driver for use with standard incandescent dimmers. 10-100% range.

**Optics**

Interchangeable OPTIKIT™ modules permit field changes to optical distribution.

**Wiring**

PVC coated, 18AWG, 150V, 60°C rated and certified to UL 1838 standard. Anti-Siphon Valve (ASV™) prevents "wicking" through conductor insulation.

**Hardware**

Tamper-resistant, stainless steel hardware. Faceplate screws are additionally black oxide treated for additional corrosion resistance.

**Finish**

StarGuard®, our exclusive RoHs compliant, 15 stage chromate-free process cleans and conversion coats aluminum components prior to application of Class 'A' TGIC polyester powder coating. Brass components are available in powder coat or handcrafted metal finish. Stainless steel components are available in handcrafted metal finish. (Brushed finish for interior use only).

**Warranty**

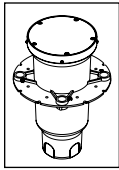
5 year limited warranty.

**Certification and Listing**

ITL tested to IESNA LM-79. Lighting Facts Registration per USDOE ([www.lightingfacts.com](http://www.lightingfacts.com)). ETL Listed to ANSI/UL Standard 1598 and UL Standard 8750. Certified to CAN/CSA Standard C22.2 No. 250. RoHs compliant. Suitable for indoor or outdoor use. Suitable for use in wet locations. Suitable for installation within 4' of the ground. IP66 Rated. Made in USA.



<b>B-K LIGHTING</b>	40429 Brickyard Drive • Madera, CA 93636 • USA 559.438.5800 • FAX 559.438.5900 <a href="http://www.bklighting.com">www.bklighting.com</a> • <a href="mailto:info@bklighting.com">info@bklighting.com</a>	RELEASED 07-10-15	DRAWING NUMBER SUB-2323-00
---------------------	--	----------------------	-------------------------------



Precision<sup>2</sup>  
OF THE BEST IN GRADE LIGHTING

BKSSL  
SOLID STATE LIGHTING

THE POWER OF



# CANAL PLAZA HP<sup>2</sup>RM DRIVER HOUSING

PROJECT:	
TYPE:	
CATALOG NUMBER:	
LAMP(S):	
NOTES:	

## CATALOG NUMBER LOGIC

	HP2RM			MT	
--	-------	--	--	----	--

Example

B - HP2RM - D31 - BZW - MT - GM-R

Material

- Blank - Aluminum
- B - Brass
- S - Stainless Steel

Remote Driver Housing

- HP2RM - Remote In-Grade (Flush) Driver Housing

Driver Type

For use with Incandescent Dimmer, 120V only for Dimming:

- D11INC - 11W Dimming Driver
- D18INC - 18W Dimming Driver
- D29INC - 29W Dimming Driver

For use with 0-10 Dimmer:

- D31 - 31W Dimming Driver (Standard Dimming 1-100%)
- D42 - 42W Dimming Driver (Standard Dimming 1-100%)
- D52 - 52W Dimming Driver (Standard Dimming 10-100%)
- D31ARC - 31W Dimming Driver (Architectural Dimming 0.1-100%)
- D42ARC - 42W Dimming Driver (Architectural Dimming 0.1-100%)

Finish

Aluminum & Brass Faceplates

Brass Faceplates

Premium Finish

Powder Coat Color	Satin	Wrinkle	Machined	MAC	ABP	CMG	RMG	
Bronze	BZP	BZW	Polished	POL	Antique Brass Powder	Cascade Mountain Granite	Rocky Mountain Granite	
Black	BLP	BLW	Mitique™	MIT	AMG	Cracked Ice	SDS	
White (Gloss)	WHP	WHW	Stainless Faceplates		AQW	Cream	SMG	
Aluminum	SAP	—	Machined	MAC	BCM	Hunter Green	TXF	
Verde	—	VER	Polished	POL	BGE	Mojave Desert Sandstone	WCP	
			Brushed	BRU <small>Interior use only.</small>	BPP	Natural Brass Powder	WIR	
					CAP	Old Copper	<small>Also available in RAL Finishes See submittal SUB-1439-00</small>	

Input Voltage

- MT - 120-277 VAC Input

Option

- GM-R - Round Grout Mask
- GM-S - Square Grout Mask

## DRIVER ELECTRICAL DATA

TYPE	AC INPUT RANGE	Frequency Hz	DIMMING	POWER FACTOR AT FULL LOAD	THD	OPER. AMBIENT TEMPERATURE	DIMMER TYPE	DIMMER RANGE
D11INC	120-277	50/60	YES	>0.94	≤5%	-30° C ~ 50° C	Incandescent	10-100%
D18INC	120-277	50/60	YES	>0.94	≤5%	-30° C ~ 50° C	Incandescent	10-100%
D29INC	120-277	50/60	YES	>0.94	≤5%	-30° C ~ 50° C	Incandescent	10-100%
D31	120/208/240/277	50/60	YES	>0.9	≤20%	-20° C ~ 50° C	0-10V	1-100%
D42	120/208/240/277	50/60	YES	>0.9	≤20%	-20° C ~ 50° C	0-10V	1-100%
D52	120/208/240/277	50/60	YES	>0.9	≤20%	-30° C ~ 60° C	0-10V	10-100%
D31ARC	120/208/240/277	50/60	YES	>0.9	≤20%	-20° C ~ 50° C	0-10V	0.1-100%
D42ARC	120/208/240/277	50/60	YES	>0.9	≤20%	-20° C ~ 50° C	0-10V	0.1-100%

## ⚠ REMOTE WIRING

### LED Driver

Remote driver installations require inter-connected wiring between the LED and driver (By Others). Drivers have specific wiring requirements between these components. Driver manufacturers regularly recommend the following wiring details for such installations:

- Do not exceed 50 foot overall wiring distance using 12 gauge copper wire.

**Failure to comply with specific wiring requirements will void product warranty.**

# B-K LIGHTING

40429 Brickyard Drive • Madera, CA 93636 • USA  
559.438.5800 • FAX 559.438.5900  
www.bklighting.com • info@bklighting.com

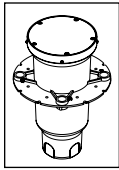
SUBMITTAL DATE  
12-16-14

DRAWING NUMBER  
SUB-2183-00

THIS DOCUMENT CONTAINS PROPRIETARY INFORMATION OF B-K LIGHTING, INC. AND ITS RECEIPT OR POSSESSION DOES NOT CONVEY ANY RIGHTS TO REPRODUCE, DISCLOSE ITS CONTENTS, OR TO MANUFACTURE, USE OR SELL ANYTHING IT MAY DESCRIBE HEREIN. PERMISSION IS GRANTED TO REPRODUCE THIS DOCUMENT FOR YOUR OWN USE ONLY WITH THE EXPRESS WRITTEN AUTHORIZATION OF B-K LIGHTING, INC. IS STRICTLY FORBIDDEN.

# GREG DAY Lighting

# TYPE G4



**Precision<sup>2</sup>**  
IP-68 Rated In-Grade Lighting

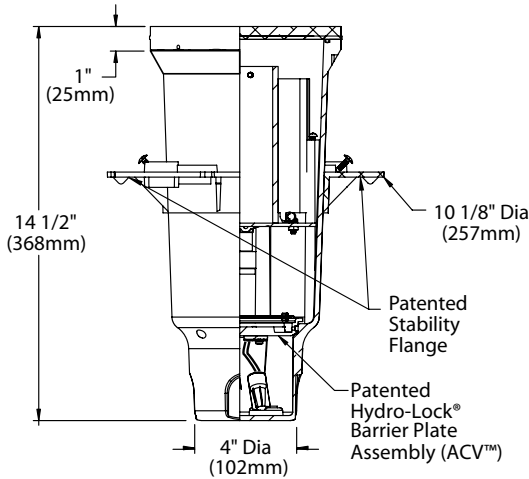
**BKSSL**  
SOLID STATE LIGHTING



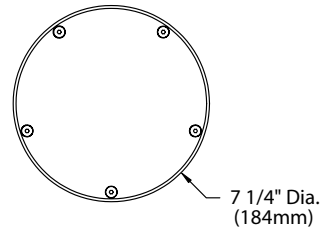
# CANAL PLAZA HP<sup>2</sup>RM DRIVER HOUSING

PROJECT:	
TYPE:	

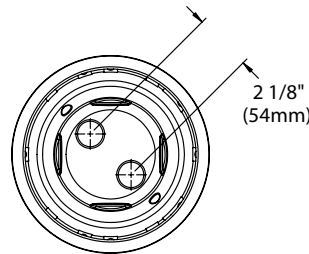
**SIDE VIEW**



**TOP VIEW**



**BOTTOM VIEW**



All dimensions indicated on this submittal are nominal.  
Contact Technical Sales if you require more stringent specifications.

## SPECIFICATIONS

### GreenSource Initiative™

Metal and packaging components are made from recycled materials. Manufactured using renewable solar energy, produced on site. Returnable to manufacturer at end of life to ensure cradle-to-cradle handling. Packaging contains no chlorofluorocarbons (CFC's). Use of this product may qualify for GreenSource efficacy and recycling rebate(s). Consult [www.bklighting.com/greensource](http://www.bklighting.com/greensource) for program requirements.

### Materials

Furnished in Copper-Free Aluminum (Type 6061-T6), Brass (Type 360) or Stainless Steel (Type 304).

### Faceplate

Solid, 1/2" machined faceplate with (5) black oxidized, captive, stainless steel mounting screws. Faceplate installs flush to grade.

### Housing

Corrosion-free composite, made from high strength, thermo-formed, sheet molded polyester compound. Glass reinforced, flame retardant and UV stabilized. (2) Bottom-Entry, 3/4" NPT female conduit entries with knockout plugs and (4) side flats for 1/2" or 3/4" conduit adapters.

### Stability Flange

Patented, corrosion-free composite flange projects into installation sub-strate to reinforce housing stability. Integral REBAR saddles simplify installation onto concrete form. (4) Orthogonal bosses permit use of 1/2" PVC conduit or EMT to simplify vertical position and leveling of housing. Pre-set self-tapping screws anchor housing at proper elevation.

### Installation

Integral, copper-free aluminum concrete pour collar (CPC), furnished in Black finish, permits for direct burial installation in soil or concrete. Consult Drainage Installation Guide for In-Grade Fixtures (DIG-IT) for compliance with proper soil preparation and drainage requirements prior to installation. For use with remote fixture (specified separately). Suitable for walk-over and drive-over applications to 35,000 lbs.

### Water Management

IP-68 rated, vacuum sealed enclosure. Patented Anti-Condensation Valve (ACV™) eliminates condensation from ballast chamber. High temperature silicone 'O' Ring at faceplate. Patented HydroLock™ technology provides fail safe water barrier between junction box and interior components. Anti-siphon valve (ASV™) prevents "wicking" through conductor insulation.

### Driver (11-29W)

For use with [1] 700mA (D11) or 1.05A (D18, D29), Class A, constant current driver. 120-277VAC (nominal) primary input voltage. 50/60Hz. >0.94 Power Factor, <15.0A in-rush current, 0.25A input current, <20%THD (nominal at 120VAC full load). Output over-voltage, over-current, and short circuit protection with auto recovery. EMC: FCC47CFR Part 15 Class B compliant. Dimming driver for use with standard incandescent dimmers. 10-100% range.

### Driver (31-52W)

[1] 1.05A (D31, D42) or 1.4A (D52), Class A, constant current driver. 120-277VAC (nominal) primary input voltage. 50/60Hz. >0.90 Power Factor, <15.0A in-rush current, <20%THD (nominal at 120VAC full load). Output over-voltage, over-current, and short circuit protection with auto recovery. EMC: FCC47CFR Part 15 Class B compliant. Dimming driver for use with standard 0-10V dimmers and switch controls. 0.1-100% range (Refer to driver electrical data).

### Wiring / Connectors

Teflon® coated wire, 18 gauge, 600V, 250°C rated and certified to UL1659 standard. Gear tray quick disconnects. Patented HydroLock® with anti-siphon valve (ASV™) wireway. (5) Water-tight connectors supplied for branch circuit and lamp connection. Maximum (2) #10 & (1) #18. Minimum (1) #12 & (1) #18 per connector.

### Finish

StarGuard®, our exclusive RoHs compliant, 15 stage chromate-free process cleans and conversion coats aluminum components prior to application of Class 'A' TGIC polyester powder coating. Brass components are available in powder coat or handcrafted metal finish. Stainless steel components are available in handcrafted metal finish. (Brushed finish for interior use only).

### Warranty

5 year limited warranty.

### Listings

IP-68 Rated Enclosure. ETL Listed to ANSI/UL Standard 1598 and Certified to CAN/CSA Standard C22.2 No. 250. RoHs compliant. Made in USA.

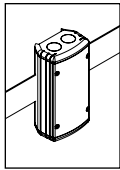


\*Teflon is a registered trademark of DuPont Corporation.

<b>B-K LIGHTING</b>	40429 Brickyard Drive • Madera, CA 93636 • USA 559.438.5800 • FAX 559.438.5900 <a href="http://www.bklighting.com">www.bklighting.com</a> • <a href="mailto:info@bklighting.com">info@bklighting.com</a>	SUBMITTAL DATE	DRAWING NUMBER
		12-16-14	SUB-2183-00

PRECISION<sup>2</sup> and its fixtures are covered by U.S. Patent Nos. 7,033,038; 6,254,258 B1; 7,249,867 B2; 7,370,988 B2; 7,553,042; 7,560,148; and 7,699,489

# TYPE G4



UNIVERSAL POWER MODULE  
**UPM**

**BKSSL**  
SOLID STATE LIGHTING

Constant Current Driver



# CANAL PLAZA PM2RM TREE STRAP™

PROJECT:	
TYPE:	
CATALOG NUMBER:	
LAMP(S):	
NOTES:	

## CATALOG NUMBER LOGIC



### Example

**PM2RM - TS-20 - D15INC - BZP - 120 - SC - MB**

Series

**PM2RM** - Universal Power Module™ 2 Remote

Mounting

**TS - Length** - Tree Strap™ (Specify Adjustable Strap Length)  
Minimum 3" Adjustable Strap (Standard)

Driver Type

**D11INC** - 11W Dimming Driver (for use with Incandescent Dimmer)\*

**D15** - 15W Driver (non-dimming)

**D15INC** - 15W Dimming Driver (for use with Incandescent Dimmer)\*

**D25** - 25W Driver (non-dimming)

**D25INC** - 25W Dimming Driver (for use with Incandescent Dimmer)\*

\*120V only

Finish

#### Standard Finish

Powder Coat Color	Satin	Wrinkle
Bronze	<b>BZP</b>	<b>BZW</b>
Black	<b>BLP</b>	<b>BLW</b>
White (Gloss)	<b>WHP</b>	<b>WHW</b>
Aluminum	<b>SAP</b>	—
Verde	—	<b>VER</b>

#### Premium Finish

<b>ABP</b> Antique Brass Powder	<b>CMG</b> Cascade Mountain Granite	<b>RMG</b> Rocky Mountain Granite
<b>AMG</b> Aleutian Mountain Granite	<b>CRI</b> Cracked Ice	<b>SDS</b> Sonoran Desert Sandstone
<b>AQW</b> Antique White	<b>CRM</b> Cream	<b>SMG</b> Sierra Mountain Granite
<b>BCM</b> Black Chrome	<b>HUG</b> Hunter Green	<b>TXF</b> Textured Forest
<b>BGE</b> Beige	<b>MDS</b> Mojave Desert Sandstone	<b>WCP</b> Weathered Copper
<b>BPP</b> Brown Patina Powder	<b>NBP</b> Natural Brass Powder	<b>WIR</b> Weathered Iron
<b>CAP</b> Clear Anodized Powder	<b>OCP</b> Old Copper	Also available in RAL Finishes See submittal SUB-1439-00

Input Voltage

**120** - 120 VAC Input (for use with D15INC and D25INC only)

**MT** - 120-277 VAC Input

Options

**SC** - Safety Cable. For use with Tree Strap™ (TS) mount. Cable length to match strap length.

**MB** - Mounting Brackets

## ⚠ REMOTE WIRING

### LED Driver

Remote driver installations require inter-connected wiring between the LED and driver (by others). Drivers have specific wiring requirements between these components. Driver manufacturers regularly recommend the following wiring details for such installations:

- Do not exceed 50 foot overall wiring distance using 12 gauge copper wire.

**Failure to comply with specific wiring requirements will void product warranty.**

## DRIVER ELECTRICAL DATA

TYPE	AC INPUT RANGE	Frequency Hz	DIMMING	POWER FACTOR	THD	OPER. AMBIENT TEMPERATURE	DIMMER TYPE	DIMMER RANGE
D11INC	120/208/240/277	50/60	YES	>0.92	≤20%	-30° C ~ 50°C	Incandescent	10-100%
D15	120/208/240/277	50/60	NO	>0.92	≤20%	-30° C ~ 50°C	—	—
D15INC	120	50/60	YES	>0.96	≤20%	-30° C ~ 60°C	Incandescent	10-100%
D25	120/208/240/277	50/60	NO	>0.92	≤20%	-30° C ~ 50°C	—	—
D25INC	120	50/60	YES	>0.96	≤20%	-30° C ~ 60°C	Incandescent	10-100%

# B-K LIGHTING

40429 Brickyard Drive • Madera, CA 93636 • USA  
559.438.5800 • FAX 559.438.5900  
www.bklighting.com • info@bklighting.com

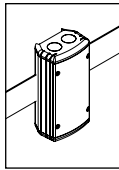
SUBMITTAL DATE  
06-23-14

DRAWING NUMBER  
SUB000795.5

THIS DOCUMENT CONTAINS PROPRIETARY INFORMATION OF B-K LIGHTING, INC. AND ITS RECEIPT OR POSSESSION DOES NOT CONVEY ANY RIGHTS TO REPRODUCE, DISCLOSE ITS CONTENTS, OR TO MANUFACTURE, USE OR SELL ANYTHING IT MAY DESCRIBE. REPRODUCTION, DISCLOSURE OR USE WITHOUT SPECIFIC WRITTEN AUTHORIZATION OF B-K LIGHTING, INC. IS STRICTLY FORBIDDEN.

# GREG DAY Lighting

# TYPE G4



UNIVERSAL POWER MODULE  
**UPM**

**BKSSL**  
SOLID STATE LIGHTING

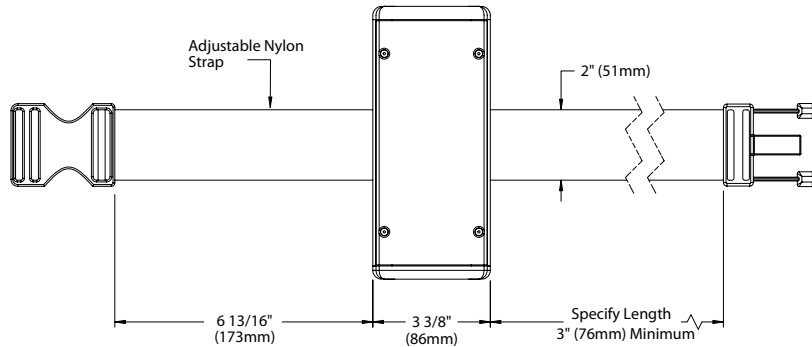
Constant Current Driver



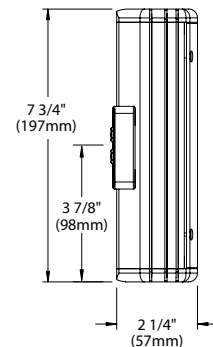
# CANAL PLAZA PM2RM TREE STRAP™

PROJECT:	
TYPE:	

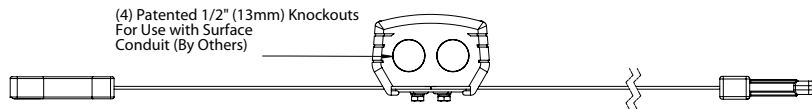
## FRONT VIEW



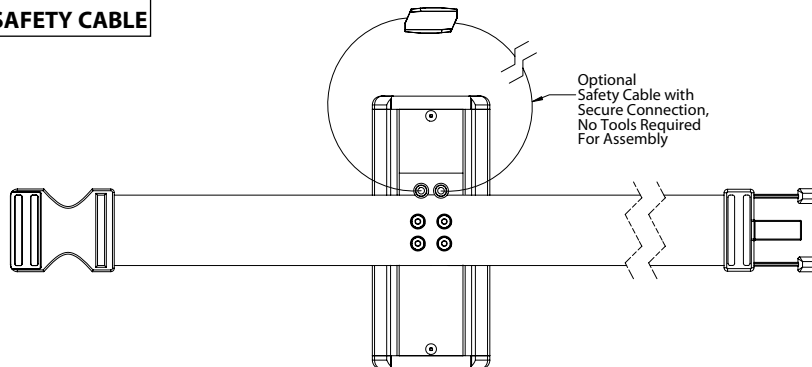
## SIDE VIEW



## END VIEW



## SAFETY CABLE



## SPECIFICATIONS

### GreenSource Initiative™

Metal and packaging components are made from recycled materials. Manufactured using renewable solar energy, produced onsite. Returnable to manufacturer at end of life to ensure cradle-to-cradle handling. Packaging contains no chlorofluorocarbons (CFC's). Use of this product may qualify for GreenSource efficacy and recycling rebate(s). Consult [www.bklighting.com/greensource](http://www.bklighting.com/greensource) for program requirements.

### Tree Installation

Tree Strap™ mounting system facilitates non-invasive installation. Adjustable nylon strap is mold and mildew resistant and will not hinder tree growth. Optional stainless steel safety cable maintains UPM mounting when nylon strap is disengaged.

### Housing

Copper free, aluminum extrusion with die cast end caps. Surface mounted with flow through back channel to prevent water and debris collection. Machined aluminum cover with countersunk holes for flush hardware installation. Tamper-resistant,

captivity, black oxide stainless steel mounting screws. Front access for ease of installation and inspection. [2] 1/2" NPT female conduit entries per end cap for through wiring.

### Installation Tether

Stainless steel cable with integral loop allows cover to temporarily suspend from housing during installation to simplify wire connection and component attachment.

### Patented Knockouts

[4] 1/2" NPT, machined aluminum knockouts. High temperature, silicone 'O' Ring for water-tight seal. Patented design allows knockout to be reinserted without compromising seal integrity.

### Driver

[1] 700mA, Class A, constant current driver. 120-277VAC (nominal) primary input voltage. 50/60Hz. >0.90 Power Factor, <15.0A in-rush current, ≤20%THD (nominal at 120VAC full load). Output over-voltage, over-current, and short circuit protection with auto recovery. EMC: FCC47CFR Part 15 Class B compliant.

Dimming driver for use with standard incandescent dimmers. 10-100% range.

### Finish

StarGuard®, our exclusive RoHs compliant, 15 stage chromate-free process cleans and conversion coats aluminum components prior to application of Class 'A' TGIC polyester powder coating.

### Warranty

5 year limited warranty.

### Listings

NEMA 4X / IP-66 Rated Enclosure. ETL Listed to ANSI/UL Standard 50/50E and Certified to CAN/CSA Standard C22.2 No. 94.1/94.2. RoHs compliant. Made in USA.



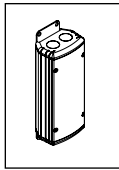
# B-K LIGHTING

40429 Brickyard Drive • Madera, CA 93636 • USA  
559.438.5800 • FAX 559.438.5900  
[www.bklighting.com](http://www.bklighting.com) • [info@bklighting.com](mailto:info@bklighting.com)

SUBMITTAL DATE  
06-23-14

DRAWING NUMBER  
SUB000795.5





UNIVERSAL POWER MODULE  
**UPM**

**BKSSL**  
SOLID STATE LIGHTING

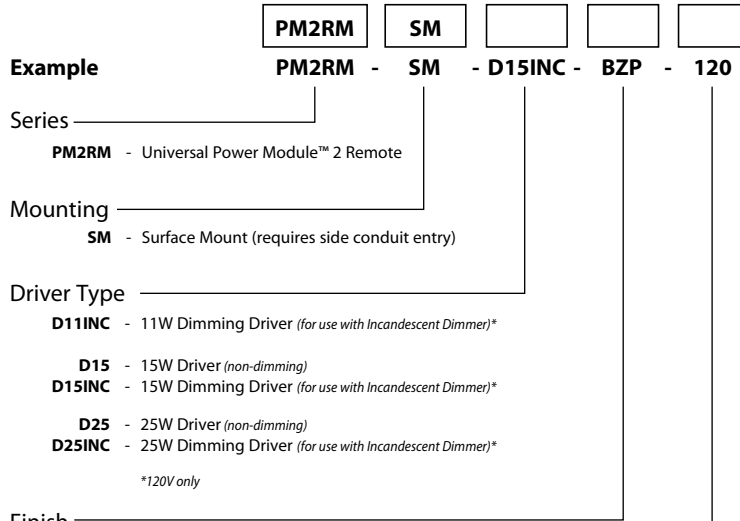
Constant Current Driver



# CANAL PLAZA PM2RM SURFACE MOUNT

PROJECT:	
TYPE:	
CATALOG NUMBER:	
LAMP(S):	
NOTES:	

## CATALOG NUMBER LOGIC



### Standard Finish

Powder Coat Color	Satin	Wrinkle
Bronze	<b>BZP</b>	<b>BZW</b>
Black	<b>BLP</b>	<b>BLW</b>
White (Gloss)	<b>WHP</b>	<b>WHW</b>
Aluminum	<b>SAP</b>	—
Verde	—	<b>VER</b>

### Premium Finish

<b>ABP</b> Antique Brass Powder	<b>CMG</b> Cascade Mountain Granite	<b>RMG</b> Rocky Mountain Granite
<b>AMG</b> Aleutian Mountain Granite	<b>CRI</b> Cracked Ice	<b>SDS</b> Sonoran Desert Sandstone
<b>AQW</b> Antique White	<b>CRM</b> Cream	<b>SMG</b> Sierra Mountain Granite
<b>BCM</b> Black Chrome	<b>HUG</b> Hunter Green	<b>TXF</b> Textured Forest
<b>BGE</b> Beige	<b>MDS</b> Mojave Desert Sandstone	<b>WCP</b> Weathered Copper
<b>BPP</b> Brown Patina Powder	<b>NBP</b> Natural Brass Powder	<b>WIR</b> Weathered Iron
<b>CAP</b> Clear Anodized Powder	<b>OCP</b> Old Copper	<i>Also available in RAL Finishes See submittal SUB-1439-00</i>

Input Voltage

- 120** - 120 VAC Input (for use with D15INC and D25INC only)
- MT** - 120-277 VAC Input

## ⚠ REMOTE WIRING

### LED Driver

Remote driver installations require inter-connected wiring between the LED and driver (by others). Drivers have specific wiring requirements between these components. Driver manufacturers regularly recommend the following wiring details for such installations:

- Do not exceed 50 foot overall wiring distance using 12 gauge copper wire.

**Failure to comply with specific wiring requirements will void product warranty.**

## DRIVER ELECTRICAL DATA

TYPE	AC INPUT RANGE	Frequency Hz	DIMMING	POWER FACTOR	THD	OPER. AMBIENT TEMPERATURE	DIMMER TYPE	DIMMER RANGE
D11INC	120/208/240/277	50/60	YES	>0.92	≤20%	-30° C ~ 50°C	Incandescent	10-100%
D15	120/208/240/277	50/60	NO	>0.92	≤20%	-30° C ~ 50°C	—	—
D15INC	120	50/60	YES	>0.96	≤20%	-30° C ~ 60°C	Incandescent	10-100%
D25	120/208/240/277	50/60	NO	>0.92	≤20%	-30° C ~ 50°C	—	—
D25INC	120	50/60	YES	>0.96	≤20%	-30° C ~ 60°C	Incandescent	10-100%

# B-K LIGHTING

40429 Brickyard Drive • Madera, CA 93636 • USA  
559.438.5800 • FAX 559.438.5900  
www.bklighting.com • info@bklighting.com

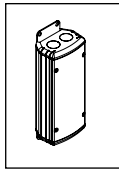
SUBMITTAL DATE  
06-23-14

DRAWING NUMBER  
SUB000795.6

THIS DOCUMENT CONTAINS PROPRIETARY INFORMATION OF B-K LIGHTING, INC. AND ITS RECEIPT OR POSSESSION DOES NOT CONVEY ANY RIGHTS TO REPRODUCE, DISCLOSE ITS CONTENTS, OR TO MANUFACTURE, USE OR SELL ANYTHING IT MAY DESCRIBE. REPRODUCTION, DISCLOSURE OR USE WITHOUT SPECIFIC WRITTEN AUTHORIZATION OF B-K LIGHTING, INC. IS STRICTLY FORBIDDEN.

## GREG DAY Lighting

## TYPE G4



UNIVERSAL POWER MODULE  
**UPM**

**BKSSL**  
SOLID STATE LIGHTING

Constant Current Driver

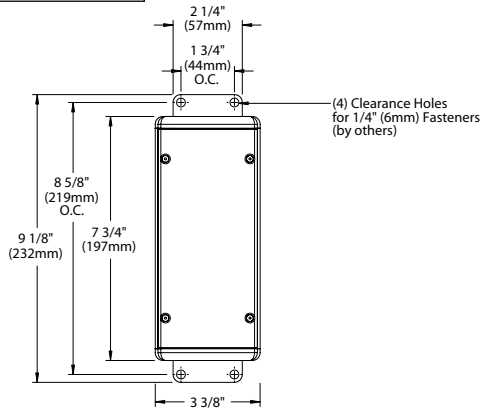


# CANAL PLAZA PM2RM SURFACE MOUNT

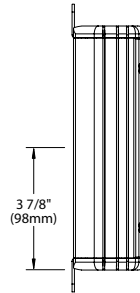
PROJECT:

TYPE:

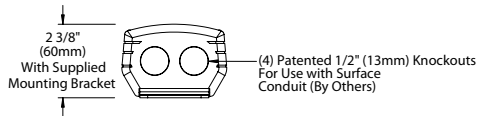
**TOP VIEW**



**SIDE VIEW**



**END VIEW**



## SPECIFICATIONS

### GreenSource Initiative™

Metal and packaging components are made from recycled materials. Manufactured using renewable solar energy, produced onsite. Returnable to manufacturer at end of life to ensure cradle-to-cradle handling. Packaging contains no chlorofluorocarbons (CFC's). Use of this product may qualify for GreenSource efficacy and recycling rebate(s). Consult [www.bklighting.com/greensource](http://www.bklighting.com/greensource) for program requirements.

### Surface Mount

For use with side entry, surface conduits. Stainless steel mounting brackets provide for direct anchor to architectural surfaces in any orientation.

### Housing

Copper free, aluminum extrusion with die cast end caps. Surface mounted with flow through back channel to prevent water and debris collection. Machined aluminum cover with countersunk holes for flush hardware installation. Tamper-resistant, captive, black oxide stainless steel mounting screws. Front access for ease of installation and inspection. [1] 1/2" NPT female conduit entries per end cap for through wiring.

### Installation Tether

Stainless steel cable with integral loop allows cover to temporarily suspend from housing during installation to simplify wire connection and component attachment.

### Patented Knockouts

[4] 1/2" NPT, machined aluminum knockouts. High temperature, silicone 'O' Ring for water-tight seal. Patented design allows knockout to be reinserted without compromising seal integrity.

### Driver

[1] 700mA, Class A, constant current driver. 120-277VAC (nominal) primary input voltage. 50/60Hz. >0.90 Power Factor, <15.0A in-rush current, ≤20%THD (nominal at 120VAC full load). Output over-voltage, over-current, and short circuit protection with auto recovery. EMC: FCC47CFR Part 15 Class B compliant.

Dimming driver for use with standard incandescent dimmers. 10-100% range.

### Finish

StarGuard®, our exclusive RoHs compliant, 15 stage chromate-free process cleans and conversion coats aluminum components prior to application of Class 'A' TGIC polyester powder coating.

### Warranty

5 year limited warranty.

### Listings

NEMA 4X / IP-66 Rated Enclosure. ETL Listed to ANSI/UL Standard 50/50E and Certified to CAN/CSA Standard C22.2 No. 94.1/94.2. RoHs compliant. Made in USA.

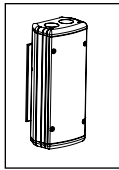


**B-K LIGHTING**

40429 Brickyard Drive • Madera, CA 93636 • USA  
559.438.5800 • FAX 559.438.5900  
[www.bklighting.com](http://www.bklighting.com) • [info@bklighting.com](mailto:info@bklighting.com)

SUBMITTAL DATE  
06-23-14

DRAWING NUMBER  
SUB000795.6



UNIVERSAL POWER MODULE  
**UPM**

**BKSSL**  
SOLID STATE LIGHTING

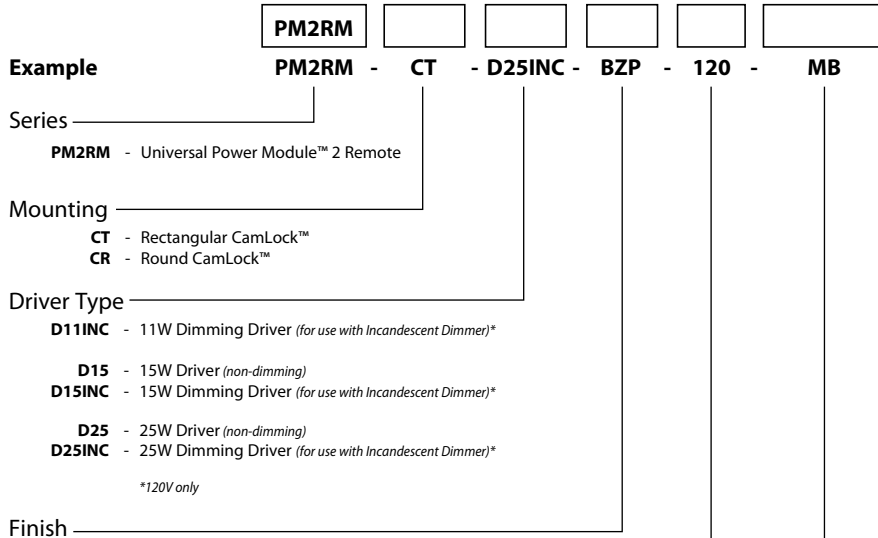
Constant Current Driver



# CANAL PLAZA PM2RM JUNCTION BOX (CAMLOCK™)

PROJECT:	
TYPE:	
CATALOG NUMBER:	
LAMP(S):	
NOTES:	

## CATALOG NUMBER LOGIC



## ⚠ REMOTE WIRING

### LED Driver

Remote driver installations require inter-connected wiring between the LED and driver (by others). Drivers have specific wiring requirements between these components. Driver manufacturers regularly recommend the following wiring details for such installations:

- Do not exceed 50 foot overall wiring distance using 12 gauge copper wire.

**Failure to comply with specific wiring requirements will void product warranty.**

Standard Finish		
Powder Coat Color	Satin	Wrinkle
Bronze	<b>BZP</b>	<b>BZW</b>
Black	<b>BLP</b>	<b>BLW</b>
White (Gloss)	<b>WHP</b>	<b>WHW</b>
Aluminum	<b>SAP</b>	—
Verde	—	<b>VER</b>

Premium Finish		
<b>ABP</b> Antique Brass Powder	<b>CMG</b> Cascade Mountain Granite	<b>RMG</b> Rocky Mountain Granite
<b>AMG</b> Aleutian Mountain Granite	<b>CRI</b> Cracked Ice	<b>SDS</b> Sonoran Desert Sandstone
<b>AQW</b> Antique White	<b>CRM</b> Cream	<b>SMG</b> Sierra Mountain Granite
<b>BCM</b> Black Chrome	<b>HUG</b> Hunter Green	<b>TXF</b> Textured Forest
<b>BGE</b> Beige	<b>MDS</b> Mojave Desert Sandstone	<b>WCP</b> Weathered Copper
<b>BPP</b> Brown Patina Powder	<b>NBP</b> Natural Brass Powder	<b>WIR</b> Weathered Iron
<b>CAP</b> Clear Anodized Powder	<b>OCP</b> Old Copper	<small>Also available in RAL Finishes See submittal SUB-1439-00</small>

Input Voltage 120 - 120 VAC Input (for use with D15INC and D25INC only)  
MT - 120-277 VAC Input

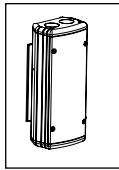
Options MB - Mounting Brackets

## DRIVER ELECTRICAL DATA

TYPE	AC INPUT RANGE	Frequency Hz	DIMMING	POWER FACTOR	THD	OPER. AMBIENT TEMPERATURE	DIMMER TYPE	DIMMER RANGE
D11INC	120/208/240/277	50/60	YES	>0.92	≤20%	-30° C ~ 50° C	Incandescent	10-100%
D15	120/208/240/277	50/60	NO	>0.92	≤20%	-30° C ~ 50° C	—	—
D15INC	120	50/60	YES	>0.96	≤20%	-30° C ~ 60° C	Incandescent	10-100%
D25	120/208/240/277	50/60	NO	>0.92	≤20%	-30° C ~ 50° C	—	—
D25INC	120	50/60	YES	>0.96	≤20%	-30° C ~ 60° C	Incandescent	10-100%

<b>B-K LIGHTING</b>	40429 Brickyard Drive • Madera, CA 93636 • USA 559.438.5800 • FAX 559.438.5900 www.bklighting.com • info@bklighting.com	SUBMITTAL DATE	DRAWING NUMBER
		06-23-14	SUB000795.7

THIS DOCUMENT CONTAINS PROPRIETARY INFORMATION OF B-K LIGHTING, INC. AND ITS RECEIPT OR POSSESSION DOES NOT CONVEY ANY RIGHTS TO REPRODUCE, DISCLOSE ITS CONTENTS, OR TO MANUFACTURE, USE OR SELL ANYTHING IT MAY DESCRIBE. REPRODUCTION, DISCLOSURE OR USE WITHOUT SPECIFIC WRITTEN AUTHORIZATION OF B-K LIGHTING, INC. IS STRICTLY FORBIDDEN.



UNIVERSAL POWER MODULE  
**UPM**

**BKSSL**  
SOLID STATE LIGHTING

Constant Current Driver



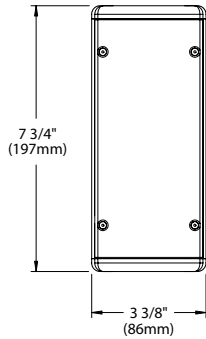
# PM2RM JUNCTION BOX (CAMLOCK™)

**CANAL PLAZA**

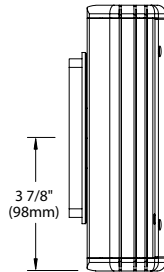
PROJECT:

TYPE:

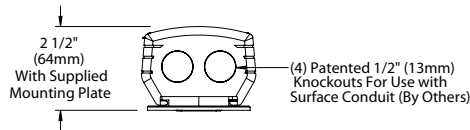
**FRONT VIEW**



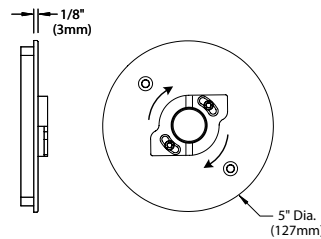
**SIDE VIEW**



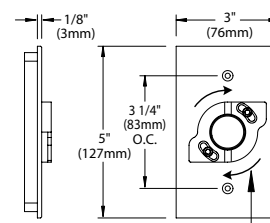
**END VIEW**



**ROUND CAMLOCK™ CANOPY**



**RECTANGULAR CAMLOCK™ CANOPY**



## SPECIFICATIONS

### GreenSource Initiative™

Metal and packaging components are made from recycled materials. Manufactured using renewable solar energy, produced onsite. Returnable to manufacturer at end of life to ensure cradle-to-cradle handling. Packaging contains no chlorofluorocarbons (CFC's). Use of this product may qualify for GreenSource efficacy and recycling rebate(s). Consult [www.bklighting.com/greensource](http://www.bklighting.com/greensource) for program requirements.

### Round CamLock™ Canopy (Recessed Junction Box)

5" diameter, machined aluminum construction. Includes stainless steel universal mounting ring for use with 4" octagonal junction box. [2] tamper-resistant, black oxide stainless steel mounting screws. 1/8" thick HT-805A silicone foam gasket for water-tight seal. Integral CamLock™ provides additional 30° adjustment for precision alignment of UPM regardless of junction box orientation. Integral wiper seal maintains water-tight integrity between UPM and junction box. Optional stainless steel mounting brackets may be specified to provide additional anchor to architectural surface.

### Rectangular CamLock™ Canopy (Recessed Junction Box)

Machined aluminum, 3" x 5" rectangular canopy for use with single gang junction box. [2] tamper resistant, black oxide stainless steel mounting screws.

1/8" thick HT-805A silicone foam gasket for water-tight seal. Integral CamLock™ provides additional 30° adjustment for precision alignment of UPM regardless of junction box orientation. Integral wiper seal maintains water-tight integrity between UPM and junction box. Optional stainless steel mounting brackets may be specified to provide additional anchor to architectural surface.

### Housing

Copper free, aluminum extrusion with die cast end caps. Surface mounted with flow through back channel to prevent water and debris collection. Machined aluminum cover with countersunk holes for flush hardware installation. Tamper-resistant, captive, black oxide stainless steel mounting screws. Front access for ease of installation and inspection. [2] 1/2" NPT female conduit entries per end cap for through wiring.

### Installation Tether

Stainless steel cable with integral loop allows cover to temporarily suspend from housing during installation to simplify wire connection and component attachment.

### Patented Knockouts

[4] 1/2" NPT, machined aluminum knockouts. High temperature, silicone 'O' Ring for water-tight seal. Patented design allows knockout to be reinserted without compromising seal integrity.

### Driver

[1] 700mA, Class A, constant current driver. 120-277VAC (nominal) primary input voltage. 50/60Hz. >0.90 Power Factor, <15.0A in-rush current, ≤20%THD (nominal at 120VAC full load). Output over-voltage, over-current, and short circuit protection with auto recovery. EMC: FCC47CFR Part 15 Class B compliant.

Dimming driver for use with standard incandescent dimmers. 10-100% range.

### Finish

StarGuard®, our exclusive RoHs compliant, 15 stage chromate-free process cleans and conversion coats aluminum components prior to application of Class 'A' TGIC polyester powder coating.

### Warranty

5 year limited warranty.

### Listings

NEMA 4X / IP-66 Rated Enclosure. ETL Listed to ANSI/UL Standard 50/50E and Certified to CAN/CSA Standard C22.2 No. 94.1/94.2. RoHs compliant. Made in USA.

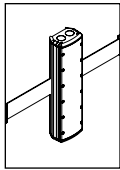


**B-K LIGHTING**

40429 Brickyard Drive • Madera, CA 93636 • USA  
559.438.5800 • FAX 559.438.5900  
[www.bklighting.com](http://www.bklighting.com) • [info@bklighting.com](mailto:info@bklighting.com)

SUBMITTAL DATE  
06-23-14

DRAWING NUMBER  
SUB000795.7



UNIVERSAL POWER MODULE



BKSSL  
SOLID STATE LIGHTING

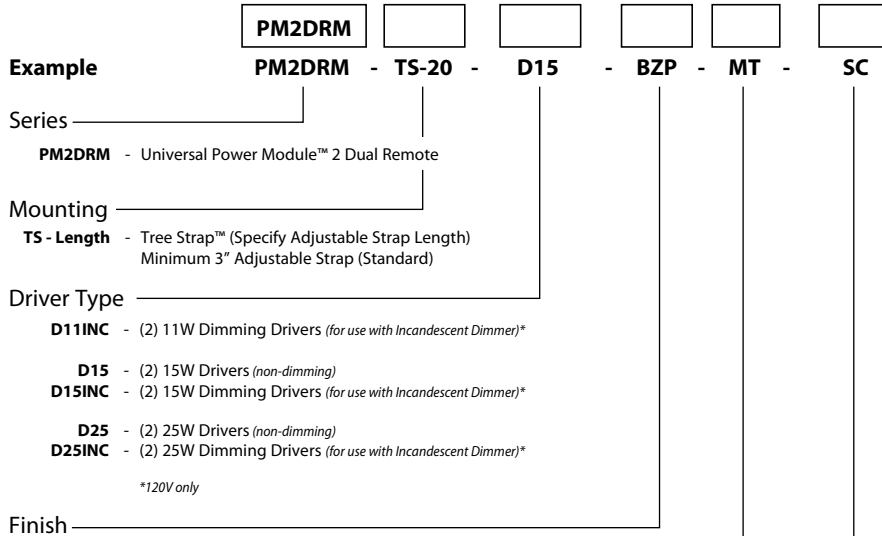
Constant Current Driver



# CANAL PLAZA PM2 DUAL RM TREE STRAP™

PROJECT:	
TYPE:	
CATALOG NUMBER:	
LAMP(S):	
NOTES:	

## CATALOG NUMBER LOGIC



## REMOTE WIRING

### LED Driver

Remote driver installations require inter-connected wiring between the LED and driver (by others). Drivers have specific wiring requirements between these components. Driver manufacturers regularly recommend the following wiring details for such installations:

- Do not exceed 50 foot overall wiring distance using 12 gauge copper wire.

**Failure to comply with specific wiring requirements will void product warranty.**

### Standard Finish

Powder Coat Color	Satin	Wrinkle
Bronze	<b>BZP</b>	<b>BZW</b>
Black	<b>BLP</b>	<b>BLW</b>
White (Gloss)	<b>WHP</b>	<b>WHW</b>
Aluminum	<b>SAP</b>	—
Verde	—	<b>VER</b>

### Premium Finish

<b>ABP</b> Antique Brass Powder	<b>CMG</b> Cascade Mountain Granite	<b>RMG</b> Rocky Mountain Granite
<b>AMG</b> Aleutian Mountain Granite	<b>CRI</b> Cracked Ice	<b>SDS</b> Sonoran Desert Sandstone
<b>AQW</b> Antique White	<b>CRM</b> Cream	<b>SMG</b> Sierra Mountain Granite
<b>BCM</b> Black Chrome	<b>HUG</b> Hunter Green	<b>TXF</b> Textured Forest
<b>BGE</b> Beige	<b>MDS</b> Mojave Desert Sandstone	<b>WCP</b> Weathered Copper
<b>BPP</b> Brown Patina Powder	<b>NBP</b> Natural Brass Powder	<b>WIR</b> Weathered Iron
<b>CAP</b> Clear Anodized Powder	<b>OCP</b> Old Copper	<i>Also available in RAL Finishes See submittal SUB-1439-00</i>

### Input Voltage

- 120** - 120 VAC Input (for use with D15INC and D25INC only)
- MT** - 120-277 VAC Input

### Options

- SC** - Safety Cable. For use with Tree Strap™ (TS) mount. Cable length to match strap length.
- MB** - Mounting Brackets

## DRIVER ELECTRICAL DATA

TYPE	AC INPUT RANGE	Frequency Hz	DIMMING	POWER FACTOR	THD	OPER. AMBIENT TEMPERATURE	DIMMER TYPE	DIMMER RANGE
D11INC	120/208/240/277	50/60	YES	>0.92	≤20%	-30° C ~ 50° C	Incandescent	10-100%
D15	120/208/240/277	50/60	NO	>0.92	≤20%	-30° C ~ 50° C	—	—
D15INC	120	50/60	YES	>0.96	≤20%	-30° C ~ 60° C	Incandescent	10-100%
D25	120/208/240/277	50/60	NO	>0.92	≤20%	-30° C ~ 50° C	—	—
D25INC	120	50/60	YES	>0.96	≤20%	-30° C ~ 60° C	Incandescent	10-100%

# B-K LIGHTING

40429 Brickyard Drive • Madera, CA 93636 • USA  
559.438.5800 • FAX 559.438.5900  
www.bklighting.com • info@bklighting.com

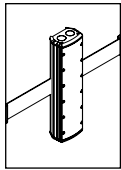
SUBMITTAL DATE  
06-24-14

DRAWING NUMBER  
SUB000800.5

THIS DOCUMENT CONTAINS PROPRIETARY INFORMATION OF B-K LIGHTING, INC. AND ITS RECEIPT OR POSSESSION DOES NOT CONVEY ANY RIGHTS TO REPRODUCE, DISCLOSE ITS CONTENTS, OR TO MANUFACTURE, USE OR SELL ANYTHING IT MAY DESCRIBE. REPRODUCTION, DISCLOSURE OR USE WITHOUT SPECIFIC WRITTEN AUTHORIZATION OF B-K LIGHTING, INC. IS STRICTLY FORBIDDEN.

# GREG DAY Lighting

# TYPE G4



UNIVERSAL POWER MODULE  
**UPM**

**BKSSL**  
SOLID STATE LIGHTING

Constant Current Driver

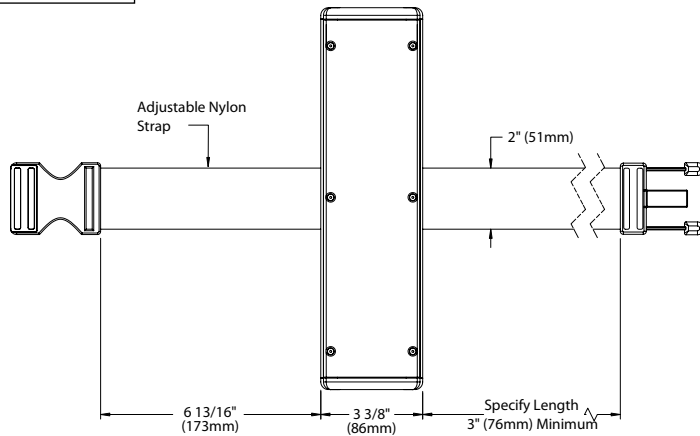


# CANAL PLAZA PM2 DUAL RM TREE STRAP™

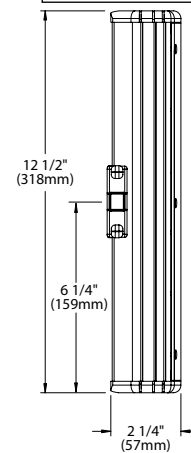
PROJECT:

TYPE:

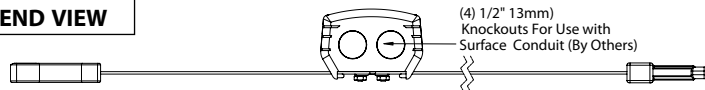
## FRONT VIEW



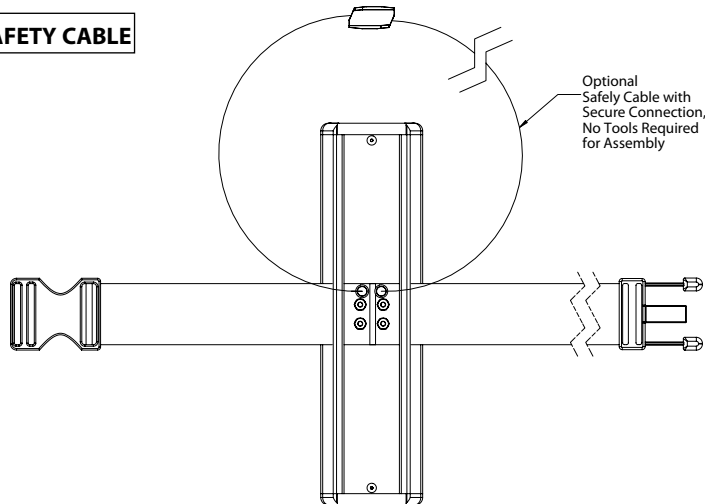
## SIDE VIEW



## END VIEW



## SAFETY CABLE



## SPECIFICATIONS

### GreenSource Initiative™

Metal and packaging components are made from recycled materials. Manufactured using renewable solar energy, produced onsite. Returnable to manufacturer at end of life to ensure cradle-to-cradle handling. Packaging contains no chlorofluorocarbons (CFC's). Use of this product may qualify for GreenSource efficacy and recycling rebate(s). Consult [www.bklighting.com/greensource](http://www.bklighting.com/greensource) for program requirements.

### Tree Installation

Tree Strap™ mounting system facilitates non-invasive installation. Adjustable nylon strap is mold and mildew resistant and will not hinder tree growth. Optional stainless steel safety cable maintains UPM mounting when nylon strap is disengaged.

### Housing

Copper free, aluminum extrusion with die cast end caps. Surface mounted with flow through back channel to prevent water and debris collection. Machined aluminum cover with countersunk holes for flush hardware installation. Tamper-resistant,

captive, black oxide stainless steel mounting screws. Front access for ease of installation and inspection. [2] 1/2" NPT female conduit entries per end cap for through wiring.

### Installation Tether

Stainless steel cable with integral loop allows cover to temporarily suspend from housing during installation to simplify wire connection and component attachment.

### Patented Knockouts

[4] 1/2" NPT, machined aluminum knockouts. High temperature, silicone 'O' Ring for water-tight seal. Patented design allows knockout to be reinserted without compromising seal integrity.

### Driver

[2] 700mA, Class A, constant current drivers. 120-277VAC (nominal) primary input voltage. 50/60Hz. >0.90 Power Factor, <15.0A in-rush current, ≤20%THD (nominal at 120VAC full load). Output over-voltage, over-current, and short circuit protection with auto recovery. EMC: FCC47CFR Part 15 Class B compliant.

Dimming driver for use with standard incandescent dimmers. 10-100% range.

### Finish

StarGuard®, our exclusive RoHs compliant, 15 stage chromate-free process cleans and conversion coats aluminum components prior to application of Class 'A' TGIC polyester powder coating.

### Warranty

5 year limited warranty.

### Listings

NEMA 4X / IP-66 Rated Enclosure. ETL Listed to ANSI/UL Standard 50/50E and Certified to CAN/CSA Standard C22.2 No. 94.1/94.2. RoHs compliant. Made in USA.

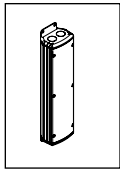


# B-K LIGHTING

40429 Brickyard Drive • Madera, CA 93636 • USA  
559.438.5800 • FAX 559.438.5900  
[www.bklighting.com](http://www.bklighting.com) • [info@bklighting.com](mailto:info@bklighting.com)

SUBMITTAL DATE  
06-24-14

DRAWING NUMBER  
SUB000800.5



UNIVERSAL POWER MODULE  
**UPM**

**BKSSL**  
SOLID STATE LIGHTING

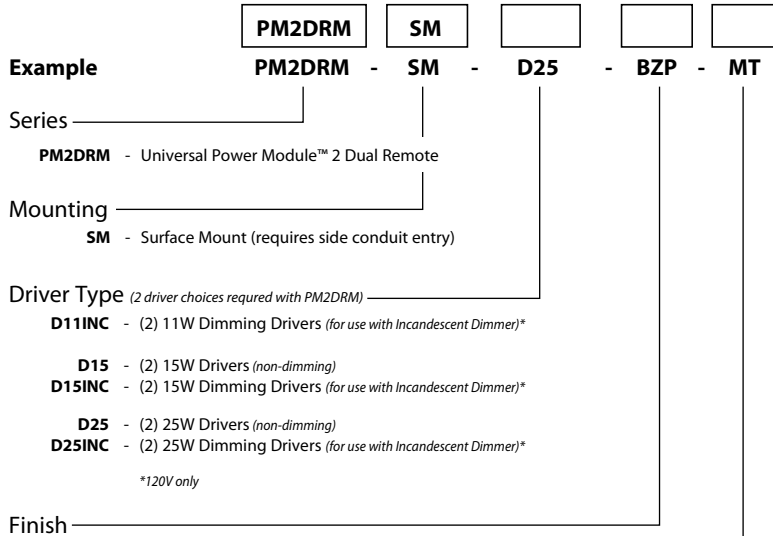
Constant Current Driver



# CANAL PLAZA PM2 DUAL RM SURFACE MOUNT

PROJECT:	
TYPE:	
CATALOG NUMBER:	
LAMP(S):	
NOTES:	

## CATALOG NUMBER LOGIC



### Standard Finish

Powder Coat Color	Satin	Wrinkle
Bronze	<b>BZP</b>	<b>BZW</b>
Black	<b>BLP</b>	<b>BLW</b>
White (Gloss)	<b>WHP</b>	<b>WHW</b>
Aluminum	<b>SAP</b>	—
Verde	—	<b>VER</b>

### Premium Finish

<b>ABP</b> Antique Brass Powder	<b>CMG</b> Cascade Mountain Granite	<b>RMG</b> Rocky Mountain Granite
<b>AMG</b> Aleutian Mountain Granite	<b>CRI</b> Cracked Ice	<b>SDS</b> Sonoran Desert Sandstone
<b>AQW</b> Antique White	<b>CRM</b> Cream	<b>SMG</b> Sierra Mountain Granite
<b>BCM</b> Black Chrome	<b>HUG</b> Hunter Green	<b>TXF</b> Textured Forest
<b>BGE</b> Beige	<b>MDS</b> Mojave Desert Sandstone	<b>WCP</b> Weathered Copper
<b>BPP</b> Brown Patina Powder	<b>NBP</b> Natural Brass Powder	<b>WIR</b> Weathered Iron
<b>CAP</b> Clear Anodized Powder	<b>OCP</b> Old Copper	<i>Also available in RAL Finishes See submittal SUB-1439-00</i>

Input Voltage ————

- 120** - 120 VAC Input (for use with D15INC and D25INC only)
- MT** - 120-277 VAC Input

## ⚠ REMOTE WIRING

### LED Driver

Remote driver installations require inter-connected wiring between the LED and driver (by others). Drivers have specific wiring requirements between these components. Driver manufacturers regularly recommend the following wiring details for such installations:

- Do not exceed 50 foot overall wiring distance using 12 gauge copper wire.

**Failure to comply with specific wiring requirements will void product warranty.**

## DRIVER ELECTRICAL DATA

TYPE	AC INPUT RANGE	Frequency Hz	DIMMING	POWER FACTOR	THD	OPER. AMBIENT TEMPERATURE	DIMMER TYPE	DIMMER RANGE
D11INC	120/208/240/277	50/60	YES	>0.92	≤20%	-30° C ~ 50°C	Incandescent	10-100%
D15	120/208/240/277	50/60	NO	>0.92	≤20%	-30° C ~ 50°C	—	—
D15INC	120	50/60	YES	>0.96	≤20%	-30° C ~ 60°C	Incandescent	10-100%
D25	120/208/240/277	50/60	NO	>0.92	≤20%	-30° C ~ 50°C	—	—
D25INC	120	50/60	YES	>0.96	≤20%	-30° C ~ 60°C	Incandescent	10-100%

**B-K LIGHTING**

40429 Brickyard Drive • Madera, CA 93636 • USA  
559.438.5800 • FAX 559.438.5900  
www.bklighting.com • info@bklighting.com

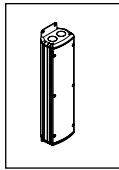
SUBMITTAL DATE  
06-24-14

DRAWING NUMBER  
SUB000800.6

THIS DOCUMENT CONTAINS PROPRIETARY INFORMATION OF B-K LIGHTING, INC. AND ITS RECEIPT OR POSSESSION DOES NOT CONVEY ANY RIGHTS TO REPRODUCE, DISCLOSE ITS CONTENTS, OR TO MANUFACTURE, USE OR SELL ANYTHING IT MAY DESCRIBE. REPRODUCTION, DISCLOSURE OR USE WITHOUT SPECIFIC WRITTEN AUTHORIZATION OF B-K LIGHTING, INC. IS STRICTLY FORBIDDEN.

**GREG DAY Lighting**

**TYPE G4**



UNIVERSAL POWER MODULE  
**UPM**

**BKSSL**  
SOLID STATE LIGHTING

Constant Current Driver

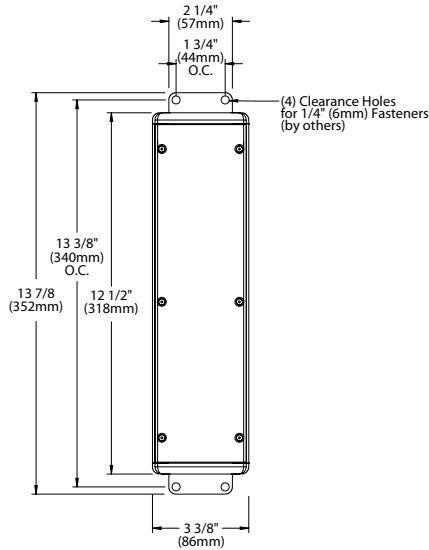


# CANAL PLAZA PM2 DUAL RM SURFACE MOUNT

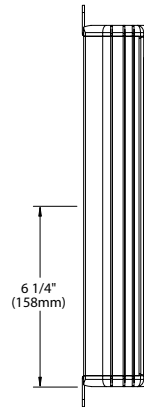
PROJECT:

TYPE:

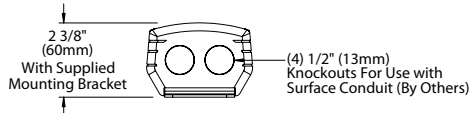
TOP VIEW



SIDE VIEW



END VIEW



## SPECIFICATIONS

### GreenSource Initiative™

Metal and packaging components are made from recycled materials. Manufactured using renewable solar energy, produced onsite. Returnable to manufacturer at end of life to ensure cradle-to-cradle handling. Packaging contains no chlorofluorocarbons (CFC's). Use of this product may qualify for GreenSource efficacy and recycling rebate(s). Consult [www.bklighting.com/greensource](http://www.bklighting.com/greensource) for program requirements.

### Surface Mount

For use with side entry, surface conduits. Stainless steel mounting brackets provide for direct anchor to architectural surfaces in any orientation.

### Housing

Copper free, aluminum extrusion with die cast end caps. Surface mounted with flow through back channel to prevent water and debris collection. Machined aluminum cover with countersunk holes for flush hardware installation. Tamper-resistant, captive, black oxide stainless steel mounting screws. Front access for ease of installation and inspection. [2] 1/2" NPT female conduit entries per end cap for through wiring.

### Installation Tether

Stainless steel cable with integral loop allows cover to temporarily suspend from housing during installation to simplify wire connection and component attachment.

### Patented Knockouts

[4] 1/2" NPT, machined aluminum knockouts. High temperature, silicone 'O' Ring for water-tight seal. Patented design allows knockout to be reinserted without compromising seal integrity.

### Driver

[2] 700mA, Class A, constant current drivers. 120-277VAC (nominal) primary input voltage. 50/60Hz. >0.90 Power Factor, <15.0A in-rush current, ≤20%THD (nominal at 120VAC full load). Output over-voltage, over-current, and short circuit protection with auto recovery. EMC: FCC47CFR Part 15 Class B compliant.

Dimming driver for use with standard incandescent dimmers. 10-100% range.

### Finish

StarGuard®, our exclusive RoHs compliant, 15 stage chromate-free process cleans and conversion coats aluminum components prior to application of Class 'A' TGIC polyester powder coating.

### Warranty

5 year limited warranty.

### Listings

NEMA 4X / IP-66 Rated Enclosure. ETL Listed to ANSI/UL Standard 50/50E and Certified to CAN/CSA Standard C22.2 No. 94.1/94.2. RoHs compliant. Made in USA.



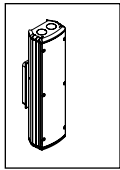
**B-K LIGHTING**

40429 Brickyard Drive • Madera, CA 93636 • USA  
559.438.5800 • FAX 559.438.5900  
[www.bklighting.com](http://www.bklighting.com) • [info@bklighting.com](mailto:info@bklighting.com)

SUBMITTAL DATE  
06-24-14

DRAWING NUMBER  
SUB000800.6





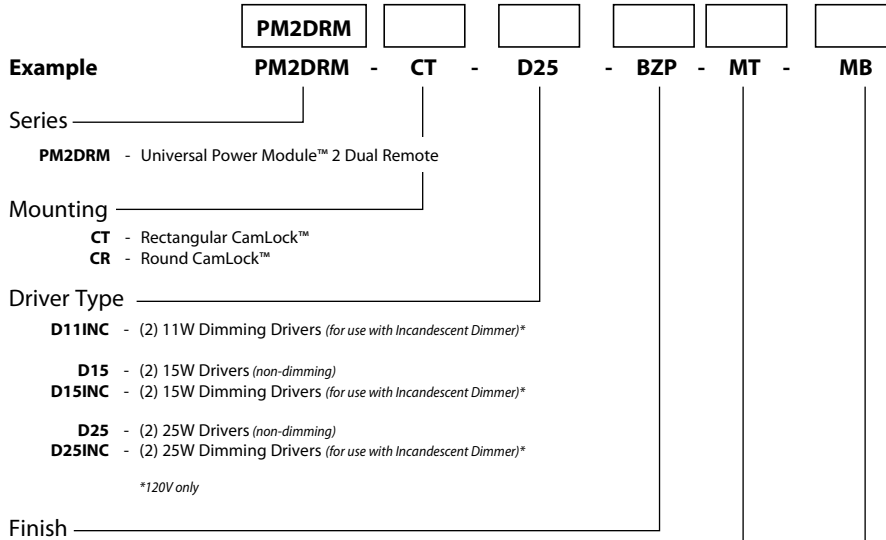
UNIVERSAL POWER MODULE  
**UPM**  
**BKSSL**  
SOLID STATE LIGHTING



# CANAL PLAZA PM2 DUAL RM JUNCTION BOX (CAMLOCK™)

PROJECT:	
TYPE:	
CATALOG NUMBER:	
LAMP(S):	
NOTES:	

## CATALOG NUMBER LOGIC



### Standard Finish

Powder Coat Color	Satin	Wrinkle
Bronze	<b>BZP</b>	<b>BZW</b>
Black	<b>BLP</b>	<b>BLW</b>
White (Gloss)	<b>WHP</b>	<b>WHW</b>
Aluminum	<b>SAP</b>	—
Verde	—	<b>VER</b>

### Premium Finish

<b>ABP</b> Antique Brass Powder	<b>CMG</b> Cascade Mountain Granite	<b>RMG</b> Rocky Mountain Granite
<b>AMG</b> Aleutian Mountain Granite	<b>CRI</b> Cracked Ice	<b>SDS</b> Sonoran Desert Sandstone
<b>AQW</b> Antique White	<b>CRM</b> Cream	<b>SMG</b> Sierra Mountain Granite
<b>BCM</b> Black Chrome	<b>HUG</b> Hunter Green	<b>TXF</b> Textured Forest
<b>BGE</b> Beige	<b>MDS</b> Mojave Desert Sandstone	<b>WCP</b> Weathered Copper
<b>BPP</b> Brown Patina Powder	<b>NBP</b> Natural Brass Powder	<b>WIR</b> Weathered Iron
<b>CAP</b> Clear Anodized Powder	<b>OCP</b> Old Copper	<i>Also available in RAL Finishes See submittal SUB-1439-00</i>

Input Voltage ————

- 120** - 120 VAC Input (for use with D15INC and D25INC only)  
**MT** - 120-277 VAC Input

Options ————

- MB** - Mounting Brackets

## ⚠ REMOTE WIRING

### LED Driver

Remote driver installations require inter-connected wiring between the LED and driver (by others). Drivers have specific wiring requirements between these components. Driver manufacturers regularly recommend the following wiring details for such installations:

- Do not exceed 50 foot overall wiring distance using 12 gauge copper wire.

**Failure to comply with specific wiring requirements will void product warranty.**

## DRIVER ELECTRICAL DATA

TYPE	AC INPUT RANGE	Frequency Hz	DIMMING	POWER FACTOR	THD	OPER. AMBIENT TEMPERATURE	DIMMER TYPE	DIMMER RANGE
D11INC	120/208/240/277	50/60	YES	>0.92	≤20%	-30° C ~ 50° C	Incandescent	10-100%
D15	120/208/240/277	50/60	NO	>0.92	≤20%	-30° C ~ 50° C	—	—
D15INC	120	50/60	YES	>0.96	≤20%	-30° C ~ 60° C	Incandescent	10-100%
D25	120/208/240/277	50/60	NO	>0.92	≤20%	-30° C ~ 50° C	—	—
D25INC	120	50/60	YES	>0.96	≤20%	-30° C ~ 60° C	Incandescent	10-100%

# B-K LIGHTING

40429 Brickyard Drive • Madera, CA 93636 • USA  
559.438.5800 • FAX 559.438.5900  
www.bklighting.com • info@bklighting.com

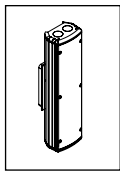
SUBMITTAL DATE  
06-24-14

DRAWING NUMBER  
SUB000800.7

THIS DOCUMENT CONTAINS PROPRIETARY INFORMATION OF B-K LIGHTING, INC. AND ITS RECEIPT OR POSSESSION DOES NOT CONVEY ANY RIGHTS TO REPRODUCE, DISCLOSE ITS CONTENTS, OR TO MANUFACTURE, USE OR SELL ANYTHING IT MAY DESCRIBE. REPRODUCTION, DISCLOSURE OR USE WITHOUT SPECIFIC WRITTEN AUTHORIZATION OF B-K LIGHTING, INC. IS STRICTLY FORBIDDEN.

## GREG DAY Lighting

## TYPE G4



UNIVERSAL POWER MODULE  
**UPM**

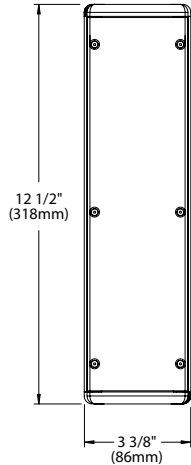
**BKSSL**  
SOLID STATE LIGHTING

Constant Current Driver

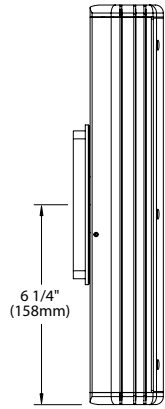
# CANAL PLAZA PM2 DUAL RM JUNCTION BOX (CAMLOCK™)

PROJECT:	
TYPE:	

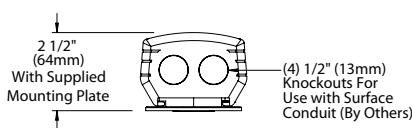
**TOP VIEW**



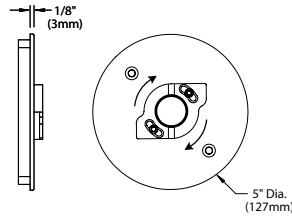
**SIDE VIEW**



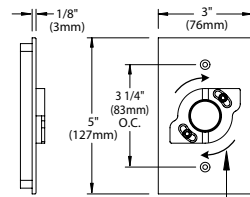
**END VIEW**



**ROUND CAMLOCK™ CANOPY**



**RECTANGULAR CAMLOCK™ CANOPY**



## SPECIFICATIONS

### GreenSource Initiative™

Metal and packaging components are made from recycled materials. Manufactured using renewable solar energy, produced onsite. Returnable to manufacturer at end of life to ensure cradle-to-cradle handling. Packaging contains no chlorofluorocarbons (CFC's). Use of this product may qualify for GreenSource efficacy and recycling rebate(s). Consult [www.bklighting.com/greensource](http://www.bklighting.com/greensource) for program requirements.

### Round CamLock™ Canopy (Recessed Junction Box)

5" diameter, machined aluminum construction. Includes stainless steel universal mounting ring for use with 4" octagonal junction box. [2] tamper-resistant, black oxide stainless steel mounting screws. 1/8" thick HT-805A silicone foam gasket for water-tight seal. Integral CamLock™ provides additional 30° adjustment for precision alignment of UPM regardless of junction box orientation. Integral wiper seal maintains water-tight integrity between UPM and junction box. Optional stainless steel mounting brackets may be specified to provide additional anchor to architectural surface.

### Rectangular CamLock™ Canopy (Recessed Junction Box)

Machined aluminum, 3" x 5" rectangular canopy for use with single gang junction box. [2] tamper resistant, black oxide stainless steel mounting screws. 1/8" thick HT-805A silicone foam gasket for water-tight seal. Integral

CamLock™ provides additional 30° adjustment for precision alignment of UPM regardless of junction box orientation. Integral wiper seal maintains water-tight integrity between UPM and junction box. Optional stainless steel mounting brackets may be specified to provide additional anchor to architectural surface.

### Housing

Copper free, aluminum extrusion with die cast end caps. Surface mounted with flow through back channel to prevent water and debris collection. Machined aluminum cover with countersunk holes for flush hardware installation. Tamper-resistant, captive, black oxide stainless steel mounting screws. Front access for ease of installation and inspection. [2] 1/2" NPT female conduit entries per end cap for through wiring.

### Installation Tether

Stainless steel cable with integral loop allows cover to temporarily suspend from housing during installation to simplify wire connection and component attachment.

### Patented Knockouts

[4] 1/2" NPT, machined aluminum knockouts. High temperature, silicone 'O' Ring for water-tight seal. Patented design allows knockout to be reinserted without compromising seal integrity.

### Driver

[2] 700mA, Class A, constant current drivers. 120-277VAC (nominal) primary input voltage. 50/60Hz. >0.90 Power Factor, <1.50A in-rush current, ≤20%THD (nominal at 120VAC full load). Output over-voltage, over-current, and short circuit protection with auto recovery. EMC: FCC47CFR Part 15 Class B compliant.

Dimming driver for use with standard incandescent dimmers. 10-100% range.

### Finish

StarGuard®, our exclusive RoHs compliant, 15 stage chromate-free process cleans and conversion coats aluminum components prior to application of Class 'A' TGIC polyester powder coating.

### Warranty

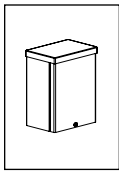
5 year limited warranty.

### Listings

NEMA 4X / IP-66 Rated Enclosure. ETL Listed to ANSI/UL Standard 50/50E and Certified to CAN/CSA Standard C22.2 No. 94.1/94.2. RoHs compliant. Made in USA.



<b>B-K LIGHTING</b>	40429 Brickyard Drive • Madera, CA 93636 • USA 559.438.5800 • FAX 559.438.5900 <a href="http://www.bklighting.com">www.bklighting.com</a> • <a href="mailto:info@bklighting.com">info@bklighting.com</a>	SUBMITTAL DATE 06-24-14	DRAWING NUMBER SUB000800.7
---------------------	--	----------------------------	-------------------------------



Constant Current Driver



# CANAL PLAZA NEMA 3R Remote Driver Housing

PROJECT:	
TYPE:	
CATALOG NUMBER:	
LAMP(S):	
NOTES:	

## CATALOG NUMBER LOGIC



Remote Driver Housing  
**RM** - NEMA 3R Remote Driver Housing  
*Specify Fixture Separately*

Driver Type

**For use with Incandescent Dimmer. 120V only for Dimming:**

- D11INC** - 11W Dimming Driver
- D18INC** - 18W Dimming Driver
- D29INC** - 29W Dimming Driver

**For use with 0-10 Dimmer:**

- D31** - 31W Dimming Driver *(Standard Dimming 1-100%)*
- D42** - 42W Dimming Driver *(Standard Dimming 1-100%)*
- D52** - 52W Dimming Driver *(Standard Dimming 10-100%)*
- D31ARC** - 31W Dimming Driver *(Architectural Dimming 0.1-100%)*
- D42ARC** - 42W Dimming Driver *(Architectural Dimming 0.1-100%)*

Finish

### Aluminum & Brass Faceplates

Powder Coat Color	Satin	Wrinkle
Bronze	<b>BZP</b>	<b>BZW</b>
Black	<b>BLP</b>	<b>BLW</b>
White (Gloss)	<b>WHP</b>	<b>WHW</b>
Aluminum	<b>SAP</b>	—
Verde	—	<b>VER</b>

### Premium Finish

<b>ABP</b> Antique Brass Powder	<b>CMG</b> Cascade Mountain Granite	<b>RMG</b> Rocky Mountain Granite
<b>AMG</b> Aleutian Mountain Granite	<b>CRI</b> Cracked Ice	<b>SDS</b> Sonoran Desert Sandstone
<b>AQW</b> Antique White	<b>CRM</b> Cream	<b>SMG</b> Sierra Mountain Granite
<b>BCM</b> Black Chrome	<b>HUG</b> Hunter Green	<b>TXF</b> Textured Forest
<b>BGE</b> Beige	<b>MDS</b> Mojave Desert Sandstone	<b>WCP</b> Weathered Copper
<b>BPP</b> Brown Patina Powder	<b>NBP</b> Natural Brass Powder	<b>WIR</b> Weathered Iron
<b>CAP</b> Clear Anodized Powder	<b>OCP</b> Old Copper	<i>Also available in RAL Finishes See submittal SUB-1439-00</i>

Input Voltage

**MT** - 120-277 VAC Input

## ⚠ REMOTE WIRING

### LED Driver

Remote driver installations require inter-connected wiring between the LED and driver (by others). Drivers have specific wiring requirements between these components. Driver manufacturers regularly recommend the following wiring details for such installations:

- Do not exceed 50 foot overall wiring distance using 12 gauge copper wire.

**Failure to comply with specific wiring requirements will void product warranty.**

## DRIVER ELECTRICAL DATA

TYPE	AC INPUT RANGE	Frequency Hz	DIMMING	POWER FACTOR AT FULL LOAD	THD	OPER. AMBIENT TEMPERATURE	DIMMER TYPE	DIMMER RANGE
D11INC	120-277	50/60	YES	>0.94	≤5%	-30° C ~ 50° C	Incandescent	10-100%
D18INC	120-277	50/60	YES	>0.94	≤5%	-30° C ~ 50° C	Incandescent	10-100%
D29INC	120-277	50/60	YES	>0.94	≤5%	-30° C ~ 50° C	Incandescent	10-100%
D31	120/208/240/277	50/60	YES	>0.9	≤20%	-20° C ~ 50° C	0-10V	1-100%
D42	120/208/240/277	50/60	YES	>0.9	≤20%	-20° C ~ 50° C	0-10V	1-100%
D52	120/208/240/277	50/60	YES	>0.9	≤20%	-30° C ~ 60° C	0-10V	10-100%
D31ARC	120/208/240/277	50/60	YES	>0.9	≤20%	-20° C ~ 50° C	0-10V	0.1-100%
D42ARC	120/208/240/277	50/60	YES	>0.9	≤20%	-20° C ~ 50° C	0-10V	0.1-100%

# B-K LIGHTING

40429 Brickyard Drive • Madera, CA 93636 • USA  
 559.438.5800 • FAX 559.438.5900  
 www.bklighting.com • info@bklighting.com

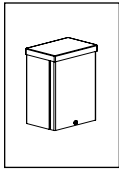
SUBMITTAL DATE  
12-16-14

DRAWING NUMBER  
SUB001124

THIS DOCUMENT CONTAINS PROPRIETARY INFORMATION OF B-K LIGHTING, INC. AND ITS RECEIPT OR POSSESSION DOES NOT CONVEY ANY RIGHTS TO REPRODUCE, DISCLOSE ITS CONTENTS, OR TO MANUFACTURE, USE OR SELL ANYTHING IT MAY DESCRIBE. REPRODUCTION, DISCLOSURE OR USE WITHOUT SPECIFIC WRITTEN AUTHORIZATION OF B-K LIGHTING, INC. IS STRICTLY FORBIDDEN.

## GREG DAY Lighting

## TYPE G4



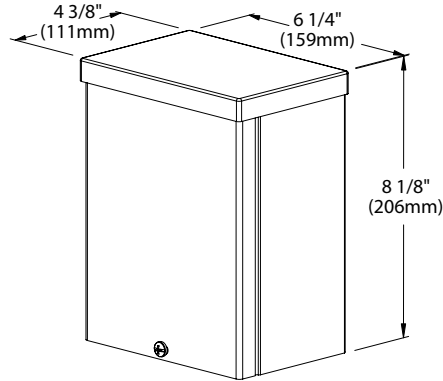
Constant Current Driver



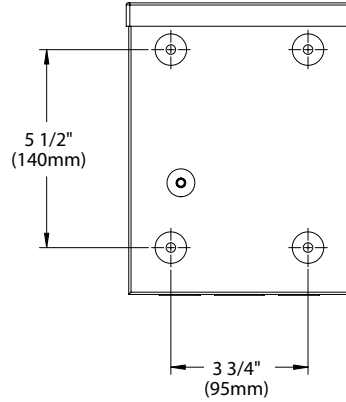
# NEMA 3R Remote Driver Housing

PROJECT:	
TYPE:	

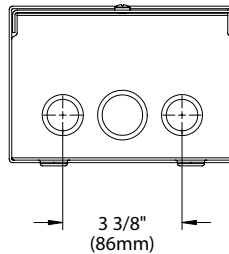
**SIDE VIEW**



**BACK VIEW**



**END VIEW**



## SPECIFICATIONS

### GreenSource Initiative™

Metal and packaging components are made from recycled materials. Manufactured using renewable solar energy, produced on site. Returnable to manufacturer at end of life to ensure cradle-to-cradle handling. Packaging contains no chlorofluorocarbons (CFC's). Use of this product may qualify for GreenSource efficacy and recycling rebate(s). Consult [www.bklighting.com/greensource](http://www.bklighting.com/greensource) for program requirements.

### Installation

Nema 3R, surface mount design. For use with remote fixture (specified separately).

### Housing

Steel construction with screw cover. Front access for ease of installation and inspection. [2] bottom entry, 3/4" conduit knockouts.

### Wiring / Connectors

Teflon® coated wire, 18 gauge, 600V, 250°C rated and certified to UL1659 standard. Pre-wired and labeled terminal strip.

### Driver (11-29W)

For use with [1] 700mA (D11) or 1.05A (D18, D29), Class A, constant current driver. 120-277VAC (nominal) primary input voltage. 50/60Hz. >0.94 Power Factor, <15.0A in-rush current, 0.25A input current, ≤20%THD (nominal at 120VAC full load). Output over-voltage, over-current, and short circuit protection with auto recovery. EMC: FCC47CFR Part 15 Class B compliant. Dimming driver for use with standard incandescent dimmers. 10-100% range.

### Driver (31-52W)

[1] 1.05A (D31, D42) or 1.4A (D52), Class A, constant current driver. 120-277VAC (nominal) primary input voltage. 50/60Hz. >0.90 Power Factor, <15.0A in-rush current, ≤20%THD (nominal at 120VAC full load). Output over-voltage, over-current, and short circuit protection with auto recovery. EMC: FCC47CFR Part 15 Class B compliant. Dimming driver for use with standard 0-10V dimmers and switch controls. 0.1-100% range (refer to driver electrical data).

### Finish

StarGuard®, our exclusive RoHs compliant, 15 stage chromate-free process cleans and conversion coats aluminum components prior to application of Class 'A' TGIC polyester powder coating.

### Warranty

5 year limited warranty.

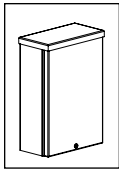
### Listings

NEMA 3R Enclosure. ETL Listed to ANSI/UL Standard 50/50E and Certified to CAN/CSA Standard C22.2 No. 94.1/94.2. RoHs compliant. Made in USA.



®Teflon is a registered trademark of DuPont Corporation.

<h1>B-K LIGHTING</h1>	40429 Brickyard Drive • Madera, CA 93636 • USA 559.438.5800 • FAX 559.438.5900 <a href="http://www.bklighting.com">www.bklighting.com</a> • <a href="mailto:info@bklighting.com">info@bklighting.com</a>	SUBMITTAL DATE	DRAWING NUMBER
		12-16-14	SUB001124



Constant Current Driver



# CANAL PLAZA NEMA 3R Dual Remote Driver Housing

PROJECT:	
TYPE:	
CATALOG NUMBER:	
LAMP(S):	
NOTES:	

## CATALOG NUMBER LOGIC

DRM			MT
-----	--	--	----

Example

DRM - D18INC - SAP - MT

Remote Driver Housing

DRM - NEMA 3R Remote Dual Driver Housing  
*Specify Fixture Separately*

Driver Type

For use with Incandescent Dimmer. 120V only for Dimming:

- D11INC - (2) 11W Dimming Drivers
- D18INC - (2) 18W Dimming Drivers
- D29INC - (2) 29W Dimming Drivers

For use with 0-10 Dimmer:

- D31 - (2) 31W Dimming Drivers (*Standard Dimming 1-100%*)
- D42 - (2) 42W Dimming Drivers (*Standard Dimming 1-100%*)
- D52 - (2) 52W Dimming Drivers (*Standard Dimming 10-100%*)
- D31ARC - (2) 31W Dimming Drivers (*Architectural Dimming 0.1-100%*)
- D42ARC - (2) 42W Dimming Drivers (*Architectural Dimming 0.1-100%*)

Finish

### Aluminum & Brass Faceplates

Powder Coat Color	Satin	Wrinkle
Bronze	BZP	BZW
Black	BLP	BLW
White (Gloss)	WHP	WHW
Aluminum	SAP	—
Verde	—	VER

### Premium Finish

ABP	Antique Brass Powder	CMG	Cascade Mountain Granite	RMG	Rocky Mountain Granite
AMG	Aleutian Mountain Granite	CRI	Cracked Ice	SDS	Sonoran Desert Sandstone
AQW	Antique White	CRM	Cream	SMG	Sierra Mountain Granite
BCM	Black Chrome	HUG	Hunter Green	TXF	Textured Forest
BGE	Beige	MDS	Mojave Desert Sandstone	WCP	Weathered Copper
BPP	Brown Patina Powder	NBP	Natural Brass Powder	WIR	Weathered Iron
CAP	Clear Anodized Powder	OCP	Old Copper	<i>Also available in RAL Finishes See submittal SUB-1439-00</i>	

Input Voltage

MT - 120-277 VAC Input

## ⚠ REMOTE WIRING

### LED Driver

Remote driver installations require inter-connected wiring between the LED and driver (by others). Drivers have specific wiring requirements between these components. Driver manufacturers regularly recommend the following wiring details for such installations:

- Do not exceed 50 foot overall wiring distance using 12 gauge copper wire.

**Failure to comply with specific wiring requirements will void product warranty.**

## DRIVER ELECTRICAL DATA

TYPE	AC INPUT RANGE	Frequency Hz	DIMMING	POWER FACTOR AT FULL LOAD	THD	OPER. AMBIENT TEMPERATURE	DIMMER TYPE	DIMMER RANGE
D11INC	120-277	50/60	YES	>0.94	≤5%	-30° C ~ 50° C	Incandescent	10-100%
D18INC	120-277	50/60	YES	>0.94	≤5%	-30° C ~ 50° C	Incandescent	10-100%
D29INC	120-277	50/60	YES	>0.94	≤5%	-30° C ~ 50° C	Incandescent	10-100%
D31	120/208/240/277	50/60	YES	>0.9	≤20%	-20° C ~ 50° C	0-10V	1-100%
D42	120/208/240/277	50/60	YES	>0.9	≤20%	-20° C ~ 50° C	0-10V	1-100%
D52	120/208/240/277	50/60	YES	>0.9	≤20%	-30° C ~ 60° C	0-10V	10-100%
D31ARC	120/208/240/277	50/60	YES	>0.9	≤20%	-20° C ~ 50° C	0-10V	0.1-100%
D42ARC	120/208/240/277	50/60	YES	>0.9	≤20%	-20° C ~ 50° C	0-10V	0.1-100%

# B-K LIGHTING

40429 Brickyard Drive • Madera, CA 93636 • USA  
559.438.5800 • FAX 559.438.5900  
www.bklighting.com • info@bklighting.com

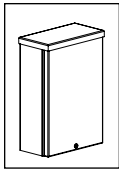
SUBMITTAL DATE  
12-16-14

DRAWING NUMBER  
SUB001125

THIS DOCUMENT CONTAINS PROPRIETARY INFORMATION OF B-K LIGHTING, INC. AND ITS RECEIPT OR POSSESSION DOES NOT CONVEY ANY RIGHTS TO REPRODUCE, DISCLOSE ITS CONTENTS, OR TO MANUFACTURE, USE OR SELL ANYTHING IT MAY DESCRIBE. REPRODUCTION, DISCLOSURE OR USE WITHOUT SPECIFIC WRITTEN AUTHORIZATION OF B-K LIGHTING, INC. IS STRICTLY FORBIDDEN.

## GREG DAY Lighting

## TYPE G4



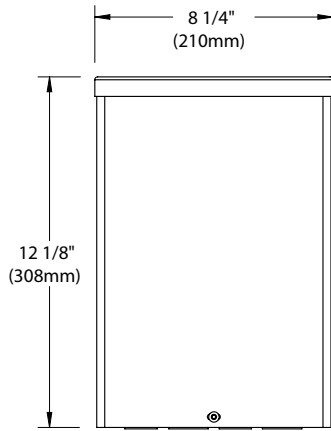
Constant Current Driver



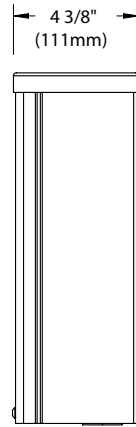
# NEMA 3R Dual Remote Driver Housing

PROJECT:	
TYPE:	

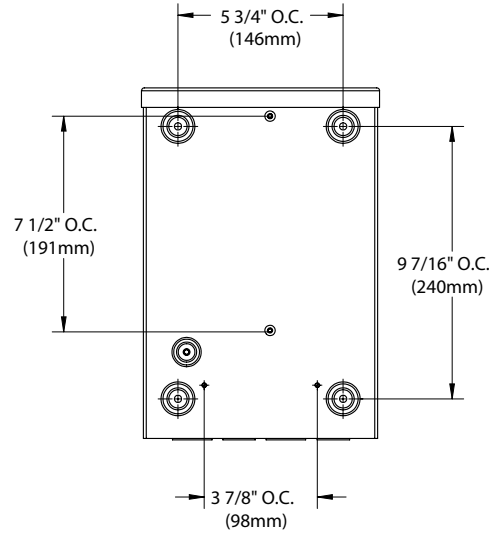
**FRONT VIEW**



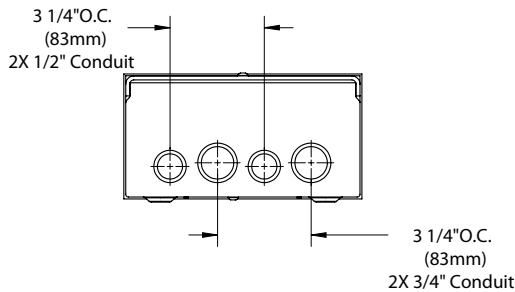
**SIDE VIEW**



**BACK VIEW**



**END VIEW**



## SPECIFICATIONS

### GreenSource Initiative™

Metal and packaging components are made from recycled materials. Manufactured using renewable solar energy, produced on site. Returnable to manufacturer at end of life to ensure cradle-to-cradle handling. Packaging contains no chlorofluorocarbons (CFC's). Use of this product may qualify for GreenSource efficacy and recycling rebate(s). Consult [www.bklighting.com/greenSource](http://www.bklighting.com/greenSource) for program requirements.

### Installation

Nema 3R, surface mount design. For use with remote fixtures (specified separately).

### Housing

Steel construction with screw cover. Front access for ease of installation and inspection. [2] bottom entry, 3/4" conduit knockouts.

### Wiring / Connectors

Teflon® coated wire, 18 gauge, 600V, 250°C rated and certified to UL1659 standard. Pre-wired and labeled terminal strip.

### Driver (11-29W)

For use with [2] 700mA (D11) or 1.05A (D18, D29), Class A, constant current drivers. 120-277VAC (nominal) primary input voltage. 50/60Hz. >0.94 Power Factor, <15.0A in-rush current, 0.25A input current, ≤20%THD (nominal at 120VAC full load). Output over-voltage, over-current, and short circuit protection with auto recovery. EMC: FCC47CFR Part 15 Class B compliant. Dimming driver for use with standard incandescent dimmers. 10-100% range.

### Driver (31-52W)

[2] 1.05A (D31, D42) or 1.4A (D52), Class A, constant current drivers. 120-277VAC (nominal) primary input voltage. 50/60Hz. >0.90 Power Factor, <15.0A in-rush current, ≤20%THD (nominal at 120VAC full load). Output over-voltage, over-current, and short circuit protection with auto recovery. EMC: FCC47CFR Part 15 Class B compliant. Dimming driver for use with standard 0-10V dimmers and switch controls. 0.1-100% range (refer to driver electrical data).

### Finish

StarGuard®, our exclusive RoHS compliant, 15 stage chromate-free process cleans and conversion coats aluminum components prior to application of Class 'A' TGIC polyester powder coating.

### Warranty

5 year limited warranty.

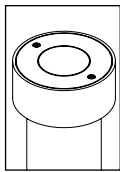
### Listings

NEMA 3R Enclosure. ETL Listed to ANSI/UL Standard 50/50E and Certified to CAN/CSA Standard C22.2 No. 94.1/94.2. RoHS compliant. Made in USA.



©Teflon is a registered trademark of DuPont Corporation.

<b>B-K LIGHTING</b>	40429 Brickyard Drive • Madera, CA 93636 • USA 559.438.5800 • FAX 559.438.5900 <a href="http://www.bklighting.com">www.bklighting.com</a> • <a href="mailto:info@bklighting.com">info@bklighting.com</a>	SUBMITTAL DATE	DRAWING NUMBER
		12-16-14	SUB001125



**BKSSL**  
SOLID STATE LIGHTING



# CANAL PLAZA ARTISTAR™ RECESSED UPLIGHT

PROJECT:	
TYPE:	
CATALOG NUMBER:	
SOURCE:	
NOTES:	

## CATALOG NUMBER LOGIC

Example S - UL - F - AR - LED - e64 - NSP - A6 - BLW - 12 - 11

### Material

- Blank** - Aluminum
- B** - Brass
- S** - Stainless Steel

### Series

- UL** - Recessed Uplight

### Installation

- F** - Flush mount
- S** - Surface mount

### Fixture

- AR** - ArtiStar™

### Source

- LED** - 'e' Technology with Integral Dimming Driver (25W min. load when dimmed).  
*Designed for use with remote 12VAC BKSSL® transformers. Requires magnetic Low Voltage dimmer.*

### LED Type

- e64** - 7WLED/2.7K
- e65** - 7WLED/3K
- e66** - 7WLED/4K
- e74** - 7WLED/Amber

### Optics\*

- NSP** - Narrow Spot (Red Indicator)
- SP** - Spot (Green Indicator)
- MFL** - Medium Flood (Yellow Indicator)
- WFL** - Wide Flood (Blue Indicator)

### Adjust-e-Lume® Output Intensity (Choose factory setting)

- A9** (Standard), **A8, A7, A6, A5, A4, A3, A2, A1**

### Finish

#### Aluminum Finish

Powder Coat Color	Satin	Wrinkle
Bronze	<b>BZP</b>	<b>BZW</b>
Black	<b>BLP</b>	<b>BLW</b>
White (Gloss)	<b>WHP</b>	<b>WHW</b>
Aluminum	<b>SAP</b>	—
Verde	—	<b>VER</b>

#### Brass Finish

Machined	<b>MAC</b>
Polished	<b>POL</b>
Mitique™	<b>MIT</b>

#### Stainless Finish

Machined	<b>MAC</b>
Polished	<b>POL</b>
Brushed	<b>BRU</b> <small>Interior use only.</small>

#### Premium Finish

<b>ABP</b> Antique Brass Powder	<b>CMG</b> Cascade Mountain Granite	<b>RMG</b> Rocky Mountain Granite
<b>AMG</b> Aleutian Mountain Granite	<b>CRI</b> Cracked Ice	<b>SDS</b> Sonoran Desert Sandstone
<b>AQW</b> Antique White	<b>CRM</b> Cream	<b>SMG</b> Sierra Mountain Granite
<b>BCM</b> Black Chrome	<b>HUG</b> Hunter Green	<b>TXF</b> Textured Forest
<b>BGE</b> Beige	<b>MDS</b> Mojave Desert Sandstone	<b>WCP</b> Weathered Copper
<b>BPP</b> Brown Patina Powder	<b>NBP</b> Natural Brass Powder	<b>WIR</b> Weathered Iron
<b>CAP</b> Clear Anodized Powder	<b>OCP</b> Old Copper	<small>Also available in RAL Finishes See submittal SUB-1439-00</small>

### Lens

- 12** - Soft Focus Lens
- 13** - Rectilinear Lens

### Shielding

- 11** - Honeycomb Baffle

## DRIVER DATA

Input Volts	InRush Current	Operating Current	Dimmable	Operation Ambient Temperature
12VAC/DC 50/60Hz	250mA (non-dimmed)	700mA	Magnetic Low Voltage Dimmer	-22°F-194°F (-30°C - 90°C)

## LM79 DATA

BK No.	CCT (Typ.)	Input Watts (Typ.)	CRI (Typ.)
e64	2700K	7.0	80
e65	3000K	7.0	80
e66	4000K	7.0	80
e74	Amber (590nm)	7.0	~

## L70 DATA

Minimum Rated Life (hrs.) 70% of initial lumens(L70)
50,000
50,000
50,000
50,000

## \* OPTICAL DATA

Beam Type	Angle	e66 CBCP	Visual Indicator
Narrow Spot	13°	6889	Red Dot
Spot	15°	5225	Green Dot
Medium Flood	23°	1984	Yellow Dot
Wide Flood	31°	1300	Blue Dot

# B-K LIGHTING

40429 Brickyard Drive • Madera, CA 93636 • USA  
559.438.5800 • FAX 559.438.5900  
www.bklighting.com • info@bklighting.com

RELEASED  
03-01-16

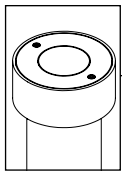
DRAWING NUMBER  
SUB-2322-00

THIS DOCUMENT CONTAINS PROPRIETARY INFORMATION OF B-K LIGHTING, INC. AND ITS RECEIPT OR POSSESSION DOES NOT CONVEY ANY RIGHTS TO REPRODUCE, DISCLOSE ITS CONTENTS, OR TO MANUFACTURE, USE OR SELL ANYTHING IT MAY DESCRIBE. REPRODUCTION, DISCLOSURE OR USE WITHOUT SPECIFIC WRITTEN AUTHORIZATION OF B-K LIGHTING, INC. IS STRICTLY FORBIDDEN.

# GREG DAY Lighting

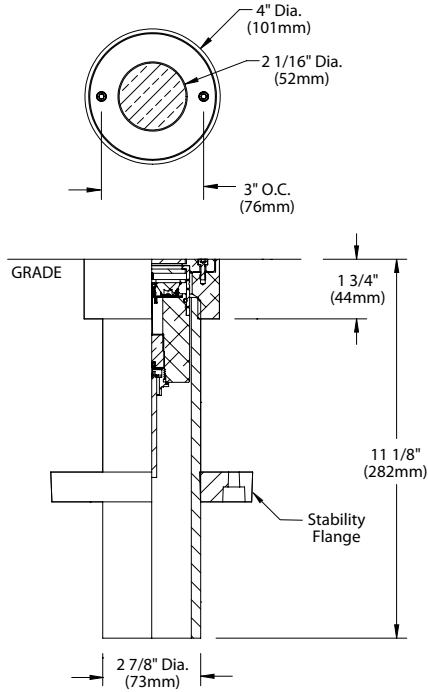
# TYPE G5

ARTISTAR™ RECESSED UPLIGHT

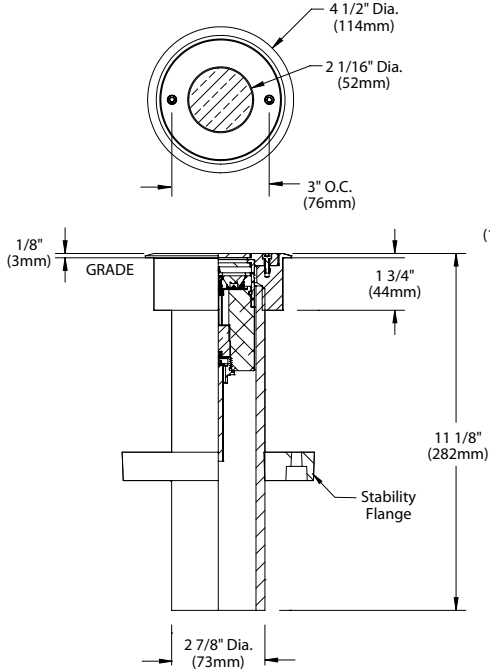


PROJECT:	
TYPE:	

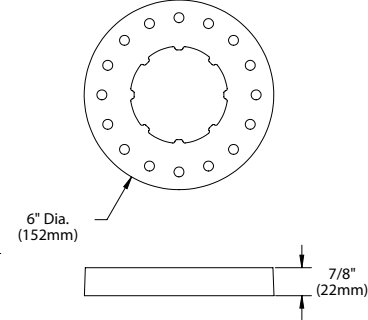
FLUSH MOUNT



SURFACE MOUNT



STABILITY FLANGE



All dimensions indicated on this submittal are nominal. Contact Technical Sales if you require more stringent specifications.

SPECIFICATIONS

GreenSource Initiative™

Metal and packaging components are made from recycled materials. Manufactured using renewable solar energy, produced on site. Returnable to manufacturer at end of life to ensure cradle-to-cradle handling. Packaging contains no chlorofluorocarbons (CFC's). Use of this product may qualify for GreenSource efficacy and recycling rebate(s). Consult [www.bklighting.com/greensource](http://www.bklighting.com/greensource) for program requirements.

Materials

Furnished in Copper-Free Aluminum (Type 6061-T6), Brass (Type 360) or Stainless Steel (Type 304).

Body

Fully machined from solid billet. Unibody design provides enclosed, water-proof wireway and integral heat sink for maximum component life. Provided with hard-coat (Type III) black anodize finish for maximum corrosion resistance. Weather-tight cable connector with 5' 18Ga., 2 wire low voltage cable. High temperature, silicone 'O' Ring provides water-tight seal.

Housing

Fixture provided with 2-7/8" dia., Schedule 80 PVC housing for direct burial into soil or concrete. 6" dia., molded stability flange projects into substrate to simplify installation and reinforce housing stability.

Faceplate

Fully machined from solid billet. Countersunk holes provide for flush hardware mounting. Accommodates [1] lens or louver media.

Lens

Shock resistant, tempered, glass lens is factory adhered to fixture cap and provides hermetically sealed optical compartment. Specify soft focus (#12) or rectilinear (#13) lens.

BKSSL®

Integrated solid state system with 'e' technology is scalable for field upgrade. Modular design with electrical quick disconnects permit field maintenance. High power, forward throw source complies with ANSI C78.377 binning requirements. Exceeds ENERGY STAR® lumen maintenance requirements. LM-80 certified components.

Integral, constant current driver. 12VAC/VDC input. 50/60Hz. Proprietary input control scheme achieves power factor correction and eliminates inrush current. Output, over-voltage, open-circuit, and short circuit protected. Inrush current limited to <250mA (non-dimming). Conforms to Safety Std. C22.2 No. 250.13-12.

Line voltage dimmable via magnetic low voltage dimmer. For use with low voltage dimmer with dedicated neutral conductor. For purposes of dimming: Remote magnetic transformer with BKSSL® Power of 'e' technology loads should be loaded to 25% of the transformer VA (watts) rated value.

Adjust-e-Lume® (Pat. Pending)

Integral electronics allows dynamic lumen response at the individual fixture. Indexed (100% to 25% nom.) lumen output. Maintains output at desired level or may be changed as conditions require. Specify factory preset output intensity.

Optics

Interchangeable OPTIKIT™ modules permit field changes to optical distribution. Color-coded for easy reference: Narrow Spot (NSP) = Red. Spot (SP) = Green. Medium Flood (MFL) = Yellow. Wide Flood (WFL) = Blue.

Installation

Flush Mount features integral concrete pour collar. Top edge of collar to be installed flush with finished grade. Collar material and finish to match faceplate. (2) Threaded holes for faceplate installation. Faceplate is suitable for walk-over and drive-over applications to 35,000 lbs. GW.

Surface Mount features fully machined copper-free aluminum installation collar. Collar material and finish to match faceplate. (2) Threaded holes for faceplate installation.

Remote transformer

For use with 12VAC remote transformer or magnetic transformers only. B-K Lighting cannot guarantee performance with third party manufacturers' transformers.

Wiring

PVC coated, 18AWG, 150V, 60°C rated and certified to UL 1838 standard. Anti-Siphon Valve (ASV™) prevents "wicking" through conductor insulation.

Hardware

Tamper-resistant, stainless steel hardware. Faceplate screws are additionally black oxide treated for additional corrosion resistance.

Finish

StarGuard®, our exclusive RoHs compliant, 15 stage chromate-free process cleans and conversion coats aluminum components prior to application of Class 'A' TGIC polyester powder coating. Brass components are available in powder coat or handcrafted metal finish. Stainless steel components are available in handcrafted metal finish. (Brushed finish for interior use only).

Warranty

5 year limited warranty.

Certification and Listing

ITL tested to IESNA LM-79. UL Listed. Certified to CAN/CSA/ANSI Standards. RoHs compliant. Suitable for indoor or outdoor use. Suitable for use in wet locations. IP 66 Rated. Made in USA.







\*Energy Star is a registered trademark of the United States Environmental Protection Agency.

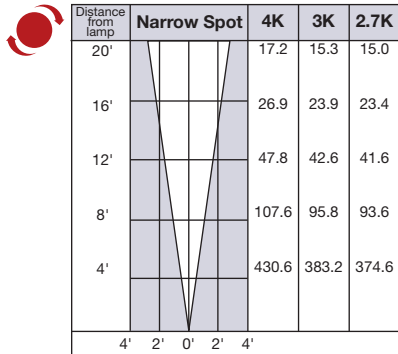
<b>B-K LIGHTING</b>	40429 Brickyard Drive • Madera, CA 93636 • USA 559.438.5800 • FAX 559.438.5900 <a href="http://www.bklighting.com">www.bklighting.com</a> • <a href="mailto:info@bklighting.com">info@bklighting.com</a>	RELEASED 03-01-16	DRAWING NUMBER SUB-2322-00
	<p><b>GREG DAY Lighting</b> <span style="float: right;"><b>TYPE G5</b></span></p>		



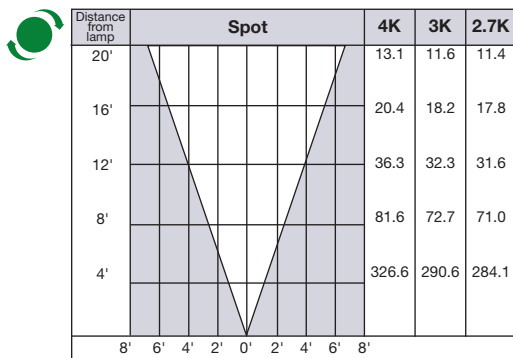
Select OptiKit™ for desired distribution

- RED**  **Narrow Spot (NSP)**
- GREEN**  **Spot (SP)**
- YELLOW**  **Medium Flood (MFL)**
- BLUE**  **Wide Flood (WFL)**

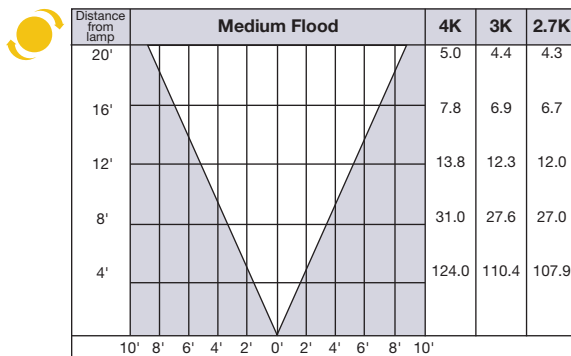
Set adjust-e-lume® Dial to desired output



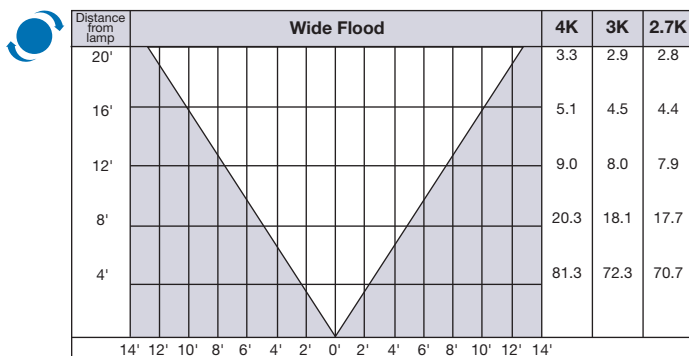
Note: If using No. 11 honeycomb baffle multiply footcandle values by .80



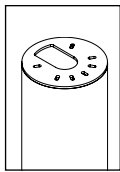
Note: If using No. 11 honeycomb baffle multiply footcandle values by .80



Note: If using No. 11 honeycomb baffle multiply footcandle values by .80



Note: If using No. 11 honeycomb baffle multiply footcandle values by .80



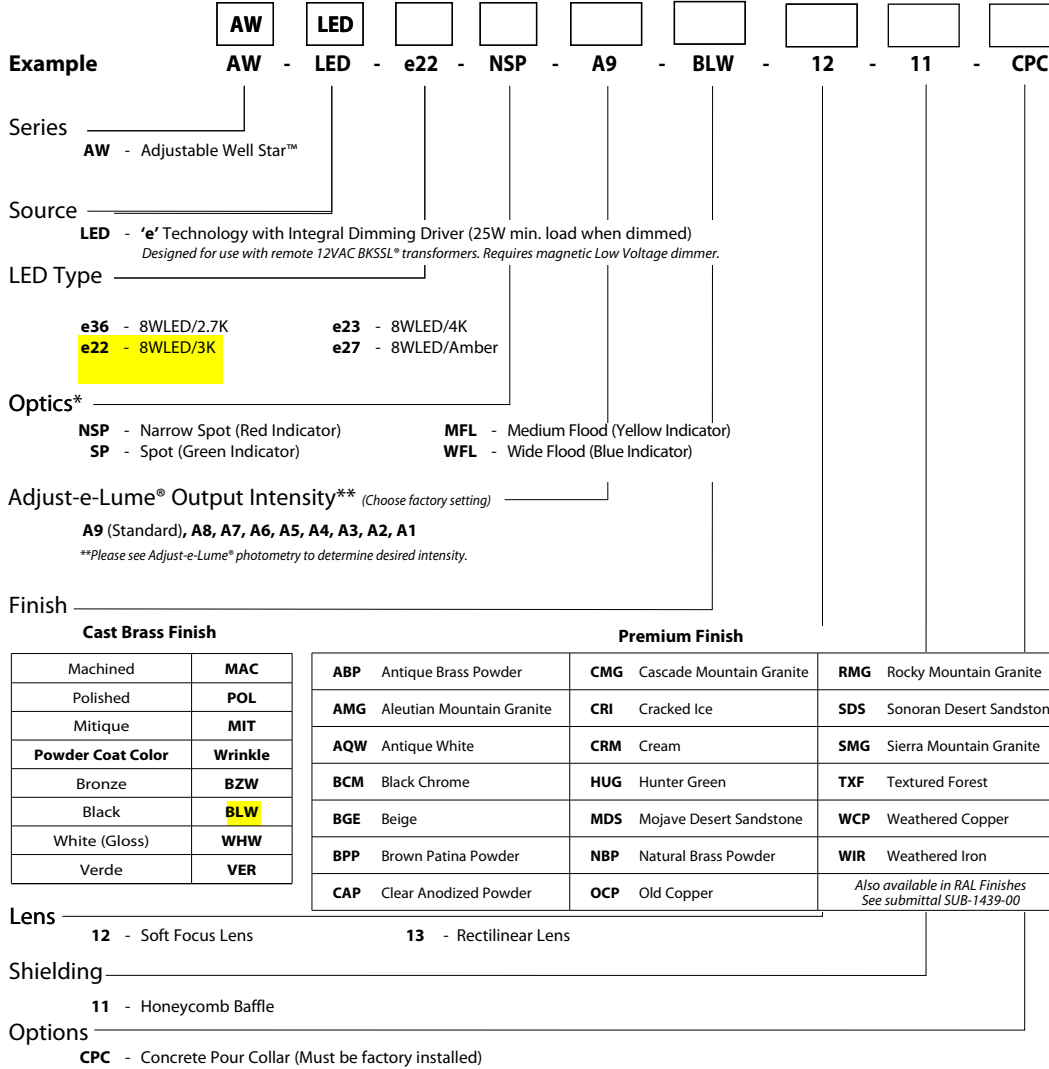
**BKSSL**  
SOLID STATE LIGHTING



# Canal Zero ADJUSTABLE WELL STAR™

<b>PROJECT:</b>	
<b>TYPE:</b>	
<b>CATALOG NUMBER:</b>	
<b>SOURCE:</b>	
<b>NOTES:</b>	

## CATALOG NUMBER LOGIC



<b>DRIVER DATA</b>	<b>Input Volts</b> 12VAC/DC 50/60Hz	<b>InRush Current</b> <1A (non-dimmed)	<b>Dimmable</b> Magnetic Low Voltage Dimmer	<b>Operation Ambient Temperature</b> -10°F-130°F
--------------------	--	---	--	---

### LM79 DATA

BK No.	CCT (Typ.)	Input Watts (Typ.)	CRI (Typ.)
e36	2700K	8.4	90
e22	3100K	8.4	90
e23	4100K	8.4	75
e27	Amber (590nm)	7.9	~

### L70 DATA

Minimum Rated Life (hrs.) 70% of initial lumens (L70)
50,000
50,000
50,000
50,000

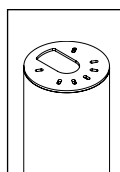
### \*OPTICAL DATA

Beam Type	Angle	Visual Indicator
Narrow Spot	14°	Red Dot
Spot	18°	Green Dot
Medium Flood	25°	Yellow Dot
Wide Flood	36°	Blue Dot

<b>B-K LIGHTING</b>	40429 Brickyard Drive • Madera, CA 93636 • USA 559.438.5800 • FAX 559.438.5900 www.bklighting.com • info@bklighting.com	RELEASED 07-10-15	DRAWING NUMBER SUB000967
---------------------	---	----------------------	-----------------------------

THIS DOCUMENT CONTAINS PROPRIETARY INFORMATION OF B-K LIGHTING, INC. AND ITS RECEIPT OR POSSESSION DOES NOT CONVEY ANY RIGHTS TO REPRODUCE, DISCLOSE ITS CONTENTS, OR TO MANUFACTURE, USE OR SELL ANYTHING IT MAY DESCRIBE. REPRODUCTION, DISCLOSURE OR USE WITHOUT SPECIFIC WRITTEN AUTHORIZATION OF B-K LIGHTING, INC. IS STRICTLY FORBIDDEN.

# ADJUSTABLE WELL STAR™

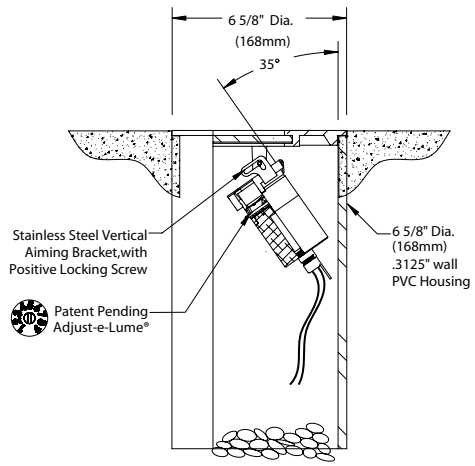


**BKSSL**  
SOLID STATE LIGHTING

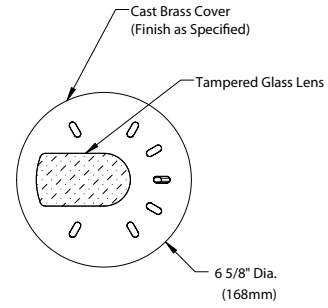
the power of dimming with **adjust-e-Lume®** TECHNOLOGY

<b>PROJECT:</b>	
<b>TYPE:</b>	

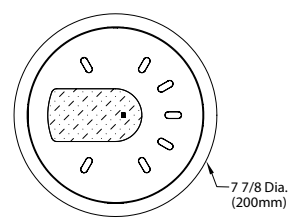
**SIDE VIEW**



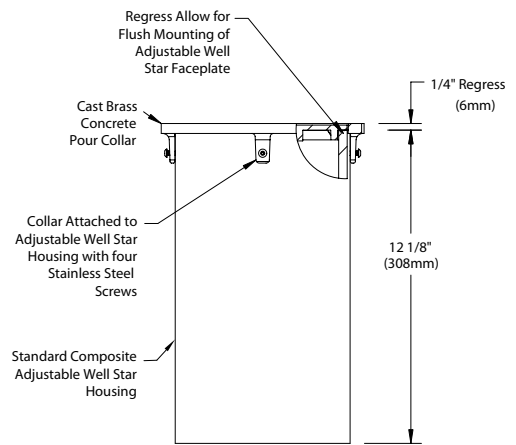
**FACEPLATE DETAIL**



**FACEPLATE W/OPTIONAL CPC**

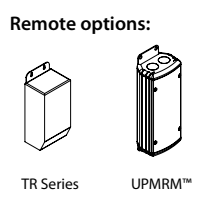


**SIDE VIEW WITH CPC**



All dimensions indicated on this submittal are nominal. Contact Technical Sales if you require more stringent specifications.

**Accessories (Configure separately)**



## SPECIFICATIONS

**GreenSource Initiative™**  
Metal and packaging components are made from recycled materials. Manufactured using renewable solar energy, produced on site. Returnable to manufacturer at end of life to ensure cradle-to-cradle handling. Packaging contains no chlorofluorocarbons (CFC's). Use of this product may qualify for GreenSource efficacy and recycling rebate(s). Consult [www.bklighting.com/greensource](http://www.bklighting.com/greensource) for program requirements.

**Materials**  
Furnished in Brass (Type 360).

**Well Cover**  
Cast construction. Slotted, flow through design. (3) Visually concealed set screws for faceplate installation. Shock resistant, tempered secondary glass lens.

**Body**  
Fully machined from solid billet. Unibody design provides enclosed, water-proof wireway and integral heat sink for maximum component life. High temperature, silicone 'O' Ring provides water-tight seal. Provided with hard-coat (Type III) black anodize finish for maximum corrosion resistance. Weather-tight cable connector with 5'0," 12Ga., 2 wire low voltage cable.

**Cap**  
Fully machined. Accommodates [1] lens or louver media. Flush lens.

**Lens**  
Shock resistant, tempered, primary glass lens is factory adhered to cap and provides hermetically sealed optical compartment. Specify soft focus (#12) or rectilinear (#13) lens.

**BKSSL®**  
Integrated solid state system with 'e' technology is scalable for field upgrade. Modular design with electrical quick disconnects permit field maintenance. High power, forward throw source complies with ANSI C78.377 binning requirements. Exceeds ENERGY STAR® lumen maintenance requirements. LM-80 certified components.

Integral, constant current driver. 12VAC/VDC input. 50/60Hz. Proprietary input control scheme achieves power factor correction and eliminates inrush current. Output, over-voltage, open-circuit, and short circuit protected. Inrush current limited to <1A (non-dimming). Conforms to Safety Std. C22.2 No. 250.13-12.

Line dimmable. For use with low voltage dimmer with dedicated neutral conductor. Minimum 25 watt load required for dimming.

**Adjust-e-Lume®** (Pat. Pending)  
Integral electronics allows dynamic lumen response at the individual fixture. Indexed (100% to 25% nom.) lumen output. Maintains output at desired level or may be changed as conditions require. Specify factory preset output intensity.

**Optics**  
Interchangeable OPTIKIT™ modules permit field changes to optical distribution. Color-coded for easy reference: Narrow Spot (NSP) = Red. Spot (SP) = Green. Medium Flood (MFL) = Yellow. Wide Flood (WFL) = Blue.

**Installation**  
6-5/8" dia., heavy wall composite housing for direct burial into soil or concrete. Flow through design for drainage (drain material by others). Optional concrete pour collar for flush installation with finished grade. Stainless steel vertical aiming bracket with positive locking screw permits up to 35° vertical adjustment from nadir. Biaxial source control with 360° horizontal rotation in addition to vertical adjustment.

For direct burial in soil or concrete. Consult Drainage Installation Guide for In-Grade Fixtures (DIG-IT) for compliance with proper soil preparation and drainage requirements prior to installation.

**Transformer**  
For use with 12VAC BKSSL remote transformer or magnetic transformers only. B-K Lighting cannot guarantee performance with third party manufacturers' transformers.

**Wiring**  
Teflon® coated, 18AWG, 600V, 250° C rated and certified to UL 1659 standard. Anti-Siphon Valve (ASV™) prevents "wicking" through conductor insulation.

**Hardware**  
Tamper-resistant, stainless steel hardware.

**Finish**  
Brass components are available in Class 'A' TGIC polyester powder coat or handcrafted metal finish.

**Warranty**  
5 year limited warranty.




**Certification and Listing**  
ITL tested to IESNA LM-79. Lighting Facts Registration per USDOE ([www.lightingfacts.com](http://www.lightingfacts.com)). ETL Listed to ANSI/UL Standard 1838 and UL Subject 8750 and Certified to CAN/CSA Standard C22.2 No. 9. RoHS compliant. Suitable for use in wet locations. Suitable for ground-mounted recessed. IP66 Rated. Made in USA.



\*Teflon is a registered trademark of DuPont Corporation.  
\*Energy Star is a registered trademark of the United States Environmental Protection Agency.






<b>B-K LIGHTING</b>	40429 Brickyard Drive • Madera, CA 93636 • USA 559.438.5800 • FAX 559.438.5900 <a href="http://www.bklighting.com">www.bklighting.com</a> • <a href="mailto:info@bklighting.com">info@bklighting.com</a>	RELEASED 07-10-15	DRAWING NUMBER SUB000967

Select OptiKit™ for desired distribution






- RED**  **Narrow Spot (NSP)**
- GREEN**  **Spot (SP)**
- YELLOW**  **Medium Flood (MFL)**
- BLUE**  **Wide Flood (WFL)**

Set adjust-e-lume™ Dial to desired output








Distance from lamp	Narrow Spot	Adjust-e-Lume™ Setting								
		1	2	3	4	5	6	7	8	9
20'		2.4	3.1	5.0	6.3	7.6	8.9	9.2	9.3	9.3
16'		3.8	4.9	7.9	9.9	11.9	13.9	14.3	14.6	14.6
12'		6.7	8.6	14.0	17.6	21.2	24.7	25.5	25.9	25.9
8'		15.1	19.4	31.4	39.7	47.6	55.5	57.3	58.3	58.3
4'		60.4	77.7	125.8	158.6	190.4	222.1	229.2	233.0	233.2
	4' 2' 0' 2' 4'									






Note: If using No. 11 honeycomb baffle multiply footcandle values by .80

Distance from lamp	Spot	Adjust-e-Lume™ Setting								
		1	2	3	4	5	6	7	8	9
20'		1.6	2.1	3.3	4.3	5.3	5.9	6.1	6.3	6.3
16'		2.6	3.3	5.2	6.7	8.2	9.3	9.6	9.8	9.9
12'		4.5	5.8	9.3	12.0	14.7	16.5	17.0	17.5	17.5
8'		10.2	13.0	20.9	26.9	33.0	37.0	38.3	39.4	39.4
4'		40.9	52.1	83.4	107.8	131.9	148.1	153.1	157.5	157.8
	8' 6' 4' 2' 0' 2' 4' 6' 8'									

Note: If using No. 11 honeycomb baffle multiply footcandle values by .80

Distance from lamp	Medium Flood	Adjust-e-Lume™ Setting								
		1	2	3	4	5	6	7	8	9
20'		0.9	1.3	2.0	2.5	3.1	3.4	3.6	3.6	3.6
16'		1.5	2.0	3.1	3.9	4.8	5.4	5.6	5.6	5.7
12'		2.6	3.6	5.5	6.9	8.6	9.5	9.9	9.9	10.1
8'		5.9	8.0	12.3	15.5	19.3	21.5	22.2	22.4	22.6
4'		23.6	32.1	49.3	62.2	77.1	85.8	88.9	89.5	90.5
	10' 8' 6' 4' 2' 0' 2' 4' 6' 8' 10'									

Note: If using No. 11 honeycomb baffle multiply footcandle values by .80

Distance from lamp	Wide Flood	Adjust-e-Lume™ Setting								
		1	2	3	4	5	6	7	8	9
20'		0.4	0.6	0.9	1.1	1.4	1.6	1.6	1.7	1.7
16'		0.7	0.9	1.4	1.8	2.1	2.5	2.6	2.6	2.6
12'		1.2	1.6	2.5	3.2	3.8	4.4	4.6	4.7	4.7
8'		2.7	3.7	5.6	7.2	8.6	10.0	10.3	10.5	10.6
4'		10.9	14.8	22.3	28.6	34.3	39.9	41.1	42.2	42.3
	14' 12' 10' 8' 6' 4' 2' 0' 2' 4' 6' 8' 10' 12' 14'									


Note: If using No. 11 honeycomb baffle multiply footcandle values by .80

Select OptiKit™ for desired distribution

- RED**  **Narrow Spot (NSP)**
- GREEN**  **Spot (SP)**
- YELLOW**  **Medium Flood (MFL)**
- BLUE**  **Wide Flood (WFL)**


Set adjust-e-lume™ Dial to desired output



 **Narrow Spot**


Distance from lamp	Narrow Spot	Adjust-e-Lume™ Setting									
		1	2	3	4	5	6	7	8	9	
20'		2.4	2.9	4.9	6.1	7.3	8.8	9.1	9.3	9.3	
16'		3.8	4.6	7.6	9.6	11.4	13.8	14.3	14.5	14.6	
12'		6.7	8.2	13.5	17.0	20.3	24.5	25.4	25.7	25.9	
8'		15.1	18.4	30.3	38.2	45.8	55.2	57.0	57.9	58.2	
4'		60.3	73.6	121.3	152.8	183.1	220.9	228.2	231.6	232.8	
		4'	2'	0'	2'	4'					

Note: If using No. 11 honeycomb baffle multiply footcandle values by .80

 **Spot**


Distance from lamp	Spot	Adjust-e-Lume™ Setting								
		1	2	3	4	5	6	7	8	9
20'		1.6	2.1	3.1	4.1	4.9	6.0	6.1	6.2	6.3
16'		2.5	3.3	4.9	6.4	7.6	9.3	9.6	9.8	9.9
12'		4.5	5.9	8.7	11.4	13.5	16.6	17.0	17.3	17.5
8'		10.2	13.2	19.5	25.6	30.5	37.3	38.3	39.0	39.4
4'		40.6	52.7	78.1	102.3	121.9	149.1	153.1	156.0	157.8
		8'	6'	4'	2'	0'	2'	4'	6'	8'

Note: If using No. 11 honeycomb baffle multiply footcandle values by .80

 **Medium Flood**

Distance from lamp	Medium Flood	Adjust-e-Lume™ Setting										
		1	2	3	4	5	6	7	8	9		
20'		1.0	1.2	1.9	2.4	2.9	3.4	3.5	3.6	3.7		
16'		1.5	1.8	2.9	3.8	4.6	5.3	5.4	5.7	5.8		
12'		2.6	3.3	5.2	6.7	8.1	9.5	9.6	10.1	10.2		
8'		6.0	7.4	11.8	15.0	18.3	21.3	21.6	22.8	23.0		
4'		23.8	29.5	47.0	60.2	73.3	85.1	86.4	91.2	92.2		
		10'	8'	6'	4'	2'	0'	2'	4'	6'	8'	10'

Note: If using No. 11 honeycomb baffle multiply footcandle values by .80

 **Wide Flood**

Distance from lamp	Wide Flood	Adjust-e-Lume™ Setting														
		1	2	3	4	5	6	7	8	9						
20'		0.4	0.5	0.9	1.1	1.3	1.6	1.7	1.7	1.7						
16'		0.7	0.8	1.4	1.7	2.0	2.4	2.6	2.7	2.7						
12'		1.2	1.5	2.5	3.0	3.5	4.3	4.7	4.7	4.7						
8'		2.8	3.4	5.5	6.7	7.9	9.8	10.5	10.7	10.7						
4'		11.1	13.4	22.2	26.8	31.7	39.0	41.9	42.6	42.7						
		14'	12'	10'	8'	6'	4'	2'	0'	2'	4'	6'	8'	10'	12'	14'


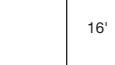



Note: If using No. 11 honeycomb baffle multiply footcandle values by .80

Select OptiKit™ for desired distribution


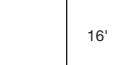
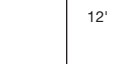


- RED**  **Narrow Spot (NSP)**
- GREEN**  **Spot (SP)**
- YELLOW**  **Medium Flood (MFL)**
- BLUE**  **Wide Flood (WFL)**

Set adjust-e-lume™ Dial to desired output





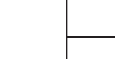


Distance from lamp	Narrow Spot	Adjust-e-Lume™ Setting								
		1	2	3	4	5	6	7	8	9
20'		2.7	3.7	5.5	6.9	8.5	10.1	10.4	10.6	10.6
16'		4.3	5.7	8.7	10.8	13.3	15.7	16.2	16.5	16.5
12'		7.6	10.2	15.4	19.2	23.6	27.9	28.8	29.3	29.4
8'		17.1	23.0	34.7	43.2	53.0	62.8	64.8	66.0	66.1
4'		68.6	91.9	138.6	172.9	212.1	251.3	259.2	263.8	264.3
	4' 2' 0' 2' 4'									





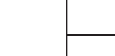
Note: If using No. 11 honeycomb baffle multiply footcandle values by .80

Distance from lamp	Spot	Adjust-e-Lume™ Setting								
		1	2	3	4	5	6	7	8	9
20'		1.9	2.4	3.7	4.8	6.0	6.8	7.1	7.1	7.1
16'		2.9	3.7	5.9	7.4	9.4	10.6	11.0	11.1	11.2
12'		5.2	6.6	10.4	13.2	16.7	18.9	19.6	19.8	19.8
8'		11.8	14.9	23.4	29.7	37.6	42.5	44.1	44.6	44.6
4'		47.0	59.6	93.6	118.9	150.3	170.1	176.3	178.3	178.6
	8' 6' 4' 2' 0' 2' 4' 6' 8'									

Note: If using No. 11 honeycomb baffle multiply footcandle values by .80

Distance from lamp	Medium Flood	Adjust-e-Lume™ Setting								
		1	2	3	4	5	6	7	8	9
20'		1.1	1.4	2.2	2.8	3.3	3.8	4.0	4.1	4.1
16'		1.7	2.1	3.4	4.3	5.1	5.9	6.3	6.4	6.4
12'		3.0	3.8	6.1	7.7	9.1	10.5	11.2	11.3	11.4
8'		6.7	8.5	13.8	17.3	20.5	23.7	25.2	25.4	25.6
4'		26.9	34.2	55.0	69.3	81.9	94.7	100.6	101.6	102.4
	10' 8' 6' 4' 2' 0' 2' 4' 6' 8' 10'									

Note: If using No. 11 honeycomb baffle multiply footcandle values by .80

Distance from lamp	Wide Flood	Adjust-e-Lume™ Setting								
		1	2	3	4	5	6	7	8	9
20'		0.5	0.6	1.0	1.2	1.4	1.7	1.8	1.8	1.8
16'		0.8	1.0	1.5	1.8	2.2	2.7	2.8	2.8	2.9
12'		1.3	1.8	2.7	3.3	3.9	4.7	4.9	5.0	5.1
8'		3.0	4.0	6.0	7.3	8.8	10.7	11.1	11.3	11.4
4'		12.0	15.9	23.9	29.3	35.1	42.6	44.4	45.1	45.7
	14' 12' 10' 8' 6' 4' 2' 0' 2' 4' 6' 8' 10' 12' 14'									

Note: If using No. 11 honeycomb baffle multiply footcandle values by .80

Adjustable Well Star™ - Spot

# lighting facts<sup>CM</sup>

A Program of the U.S. DOE

<b>Light Output (Lumens)</b>	<b>253</b>
<b>Watts</b>	<b>8.2</b>
<b>Lumens per Watt (Efficacy)</b>	<b>30</b>

---

<b>Color Accuracy</b>	<b>83</b>
Color Rendering Index (CRI)	

---

**Light Color** 3182 (Bright White)

Correlated Color Temperature (CCT)

2700K 3000K 4500K 6500K

Warm White    Bright White    Daylight

All results are according to IESNA LM-79-2008: *Approved Method for the Electrical and Photometric Testing of Solid-State Lighting*. The U.S. Department of Energy (DOE) verifies product test data and results.

Visit [www.lightingfacts.com](http://www.lightingfacts.com) for the *Label Reference Guide*.

Registration Number: GCXV-D61NTW  
 Model Number: AW-LED-e23-SP-12  
 Type: Other

Adjustable Well **Canal Zero**

# lighting facts<sup>CM</sup>

A Program of the U.S. DOE

<b>Light Output (Lumens)</b>	<b>365</b>
<b>Watts</b>	<b>8.2</b>
<b>Lumens per Watt (Efficacy)</b>	<b>44</b>

---

<b>Color Accuracy</b>	<b>68</b>
Color Rendering Index (CRI)	

---

**Light Color** 4102 (Bright White)

Correlated Color Temperature (CCT)

2700K 3000K 4500K 6500K

Warm White    Bright White    Daylight

All results are according to IESNA LM-79-2008: *Approved Method for the Electrical and Photometric Testing of Solid-State Lighting*. The U.S. Department of Energy (DOE) verifies product test data and results.

Visit [www.lightingfacts.com](http://www.lightingfacts.com) for the *Label Reference Guide*.

Registration Number: GCXV-JVFWH4  
 Model Number: AW-LED-e23-NSP-12  
 Type: Other

Adjustable Well Star™ - W. Flood

# lighting facts<sup>CM</sup>

A Program of the U.S. DOE

<b>Light Output (Lumens)</b>	<b>345</b>
<b>Watts</b>	<b>8.3</b>
<b>Lumens per Watt (Efficacy)</b>	<b>41</b>

---

<b>Color Accuracy</b>	<b>67</b>
Color Rendering Index (CRI)	

---

**Light Color** 3981 (Bright White)

Correlated Color Temperature (CCT)

2700K 3000K 4500K 6500K

Warm White    Bright White    Daylight

All results are according to IESNA LM-79-2008: *Approved Method for the Electrical and Photometric Testing of Solid-State Lighting*. The U.S. Department of Energy (DOE) verifies product test data and results.

Visit [www.lightingfacts.com](http://www.lightingfacts.com) for the *Label Reference Guide*.

Registration Number: GCXV-4TK5VQ  
 Model Number: AW-LED-e23-WFL-12  
 Type: Other

Adjustable Well Star™ - Med. Flood - Rectilinear

# lighting facts<sup>CM</sup>

A Program of the U.S. DOE

<b>Light Output (Lumens)</b>	<b>299</b>
<b>Watts</b>	<b>8.5</b>
<b>Lumens per Watt (Efficacy)</b>	<b>35</b>

---

<b>Color Accuracy</b>	<b>66</b>
Color Rendering Index (CRI)	

---

**Light Color** 4022 (Bright White)

Correlated Color Temperature (CCT)

2700K 3000K 4500K 6500K

Warm White    Bright White    Daylight

All results are according to IESNA LM-79-2008: *Approved Method for the Electrical and Photometric Testing of Solid-State Lighting*. The U.S. Department of Energy (DOE) verifies product test data and results.

Visit [www.lightingfacts.com](http://www.lightingfacts.com) for the *Label Reference Guide*.

Registration Number: GCXV-DXMQAN  
 Model Number: AW-LED-e23-MFL-13  
 Type: Other

Adjustable Well Star™ - Spot

# lighting facts<sup>CM</sup>

A Program of the U.S. DOE

<b>Light Output (Lumens)</b>	<b>354</b>
<b>Watts</b>	<b>8.1</b>
<b>Lumens per Watt (Efficacy)</b>	<b>43</b>

---

<b>Color Accuracy</b>	<b>68</b>
Color Rendering Index (CRI)	

---

**Light Color** 4080 (Bright White)

Correlated Color Temperature (CCT)

2700K 3000K 4500K 6500K

Warm White    Bright White    Daylight

All results are according to IESNA LM-79-2008: *Approved Method for the Electrical and Photometric Testing of Solid-State Lighting*. The U.S. Department of Energy (DOE) verifies product test data and results.

Visit [www.lightingfacts.com](http://www.lightingfacts.com) for the *Label Reference Guide*.

Registration Number: GCXV-Z5L1D4  
 Model Number: AW-LED-e23-SP-12

Adjustable Well Star™ - Med. Flood

# lighting facts<sup>CM</sup>

A Program of the U.S. DOE

<b>Light Output (Lumens)</b>	<b>346</b>
<b>Watts</b>	<b>8.2</b>
<b>Lumens per Watt (Efficacy)</b>	<b>42</b>

---

<b>Color Accuracy</b>	<b>68</b>
Color Rendering Index (CRI)	

---

**Light Color** 4047 (Bright White)

Correlated Color Temperature (CCT)

2700K 3000K 4500K 6500K

Warm White    Bright White    Daylight

All results are according to IESNA LM-79-2008: *Approved Method for the Electrical and Photometric Testing of Solid-State Lighting*. The U.S. Department of Energy (DOE) verifies product test data and results.

Visit [www.lightingfacts.com](http://www.lightingfacts.com) for the *Label Reference Guide*.

Registration Number: GCXV-2ZMGV8  
 Model Number: AW-LED-e23-MFL-12  
 Type: Other