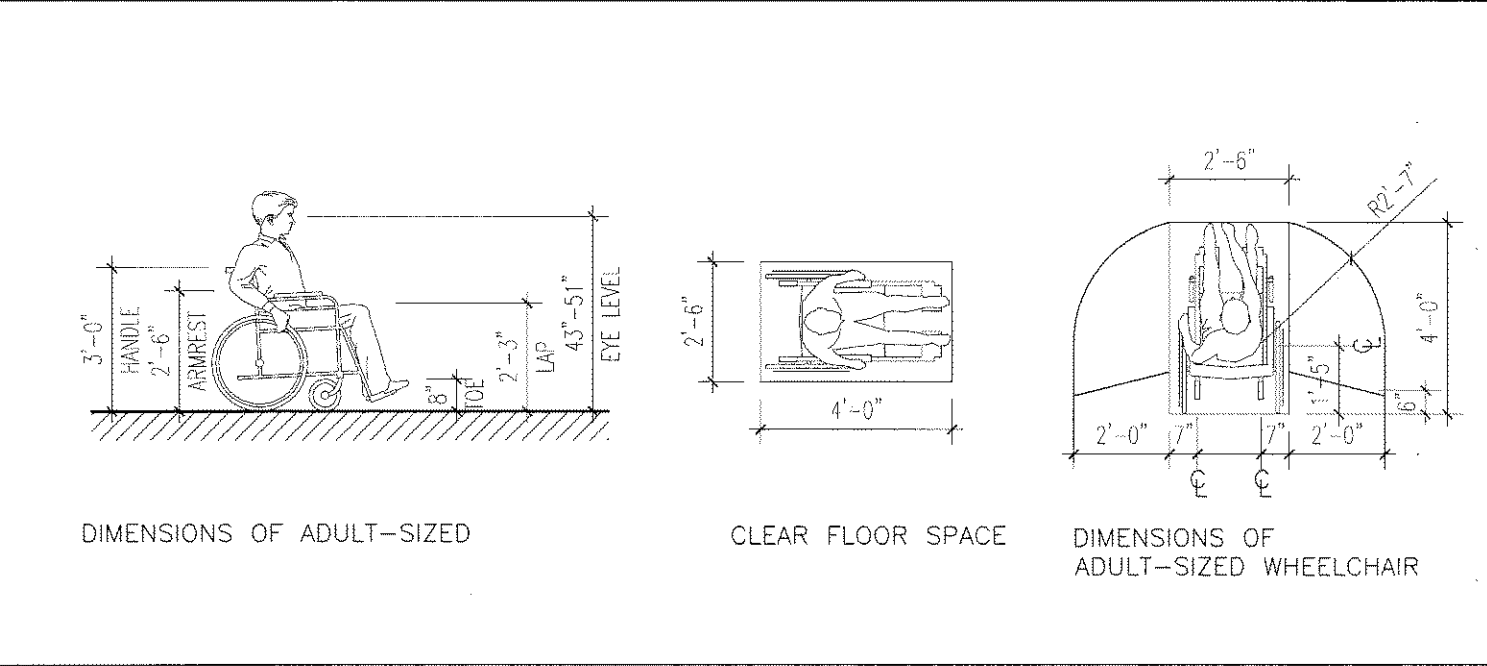


303.2 CHANGES IN LEVEL
303.2 CHANGES IN LEVEL OF 1/2 INCH MAXIMUM SHALL BE PERMITTED TO BE VERTICAL.

3.3.3 BEVELED CHANGES IN LEVEL GREATER THAN 1/2 INCH IN HEIGHT AND NOT MORE THAN 1/2 INCH MAXIMUM IN HEIGHT SHALL BE BEVELED WITH A SLOPE NOT STEEPER THAN 1:2.

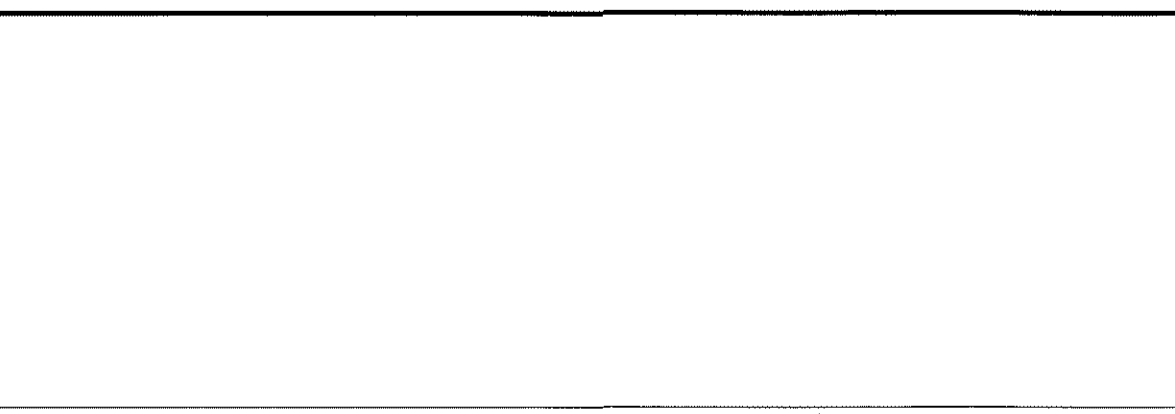
404.2.4 THRESHOLDS AT DOORWAYS IF PROVIDED, THRESHOLDS AT DOORWAYS SHALL BE 1/2 INCH MAXIMUM IN RISER HEIGHT. RAISED THRESHOLDS AND CHANGES IN LEVEL AT DOORWAYS SHALL COMPLY WITH SECTIONS 302 AND 303.



P1 MIN. CHANGES IN LEVEL & DOOR THRESHOLDS

M1 ADULT-SIZED WHEELCHAIR DETAILS

M6 SINGLE WHEELCHAIR



4.2 SPACE ALLOWANCE AND REACH RANGES.

4.2.1* WHEELCHAIR PASSAGE WIDTH. THE MINIMUM CLEAR WIDTH FOR A SINGLE WHEELCHAIR PASSAGE SHALL BE 32" (815MM) AT A POINT AND 36" (915MM) CONTINUOUSLY.

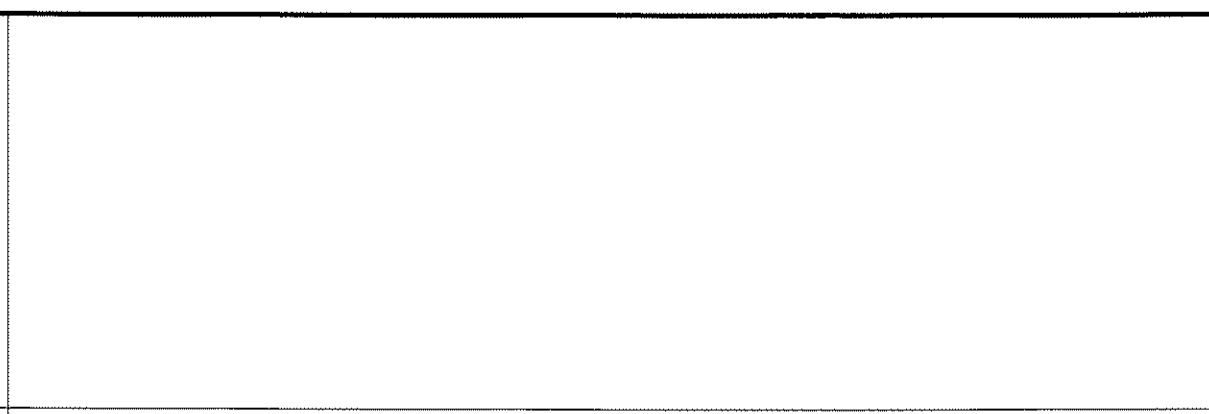
P14 35620 FEDERAL REGISTER/ VOL. 56,NO.144/ FRIDAY,JULY 26 1991/ RULES AND REGULATIONS

4.2.2 WIDTH FOR WHEELCHAIR PASSING. THE MINIMUM WIDTH FOR TWO WHEELCHAIRS TO PASS IS 60" (1525mm)

P14 35620 FEDERAL REGISTER/ VOL. 56,NO.144/ FRIDAY,JULY 26 1991/ RULES AND REGULATIONS

4.2.3* WHEELCHAIR TURNING SPACE. THE SPACE REQUIRED FOR A WHEELCHAIR TO MAKE A 180° TURN IS A CLEAR SPACE OF 5'-0" (1525mm) DIAMETER OR A T-SHAPED SPACE (5/6101).

P14 35620 FEDERAL REGISTER/ VOL. 56,NO.144/ FRIDAY,JULY 26 1991/ RULES AND REGULATIONS

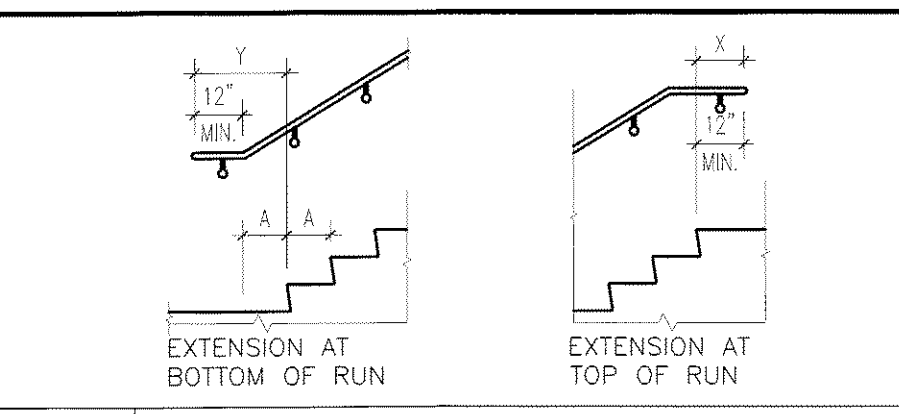


P14 STAIR HANDRAIL EXTENSION

1/4"=1'-0"

4.2.2.1 X IS THE 12 INCH MINIMUM HANDRAIL EXTENSION REQUIRED AT EACH TOP RISER.

4.2.2.2 Y IS THE MINIMUM HANDRAIL EXTENSION OF 12 INCHES PLUS THE WIDTH OF ONE TREAD THAT IS REQUIRED AT EACH BOTTOM RISER.

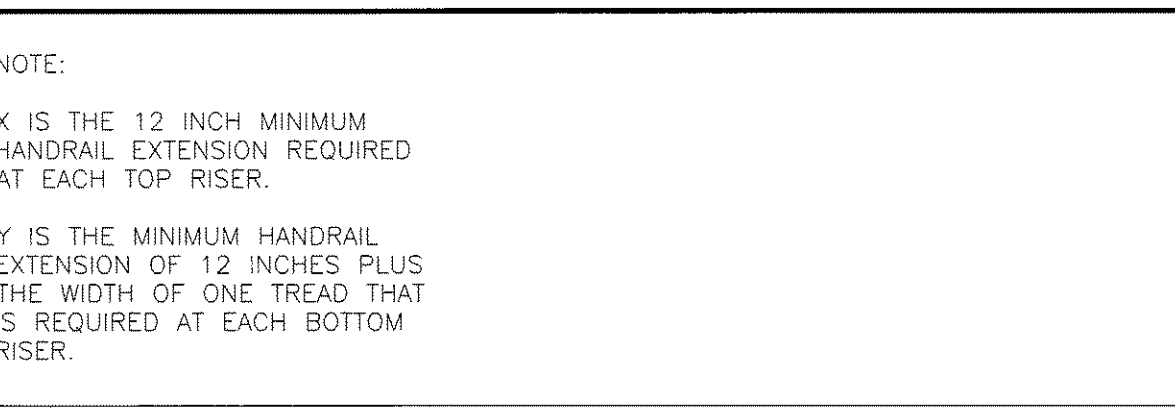


M14 TURNING SPACE

1/4"=1'-0"

4.2.3* WHEELCHAIR TURNING SPACE. THE SPACE REQUIRED FOR A WHEELCHAIR TO MAKE A 180° TURN IS A CLEAR SPACE OF 5'-0" (1525mm) DIAMETER OR A T-SHAPED SPACE (5/6101).

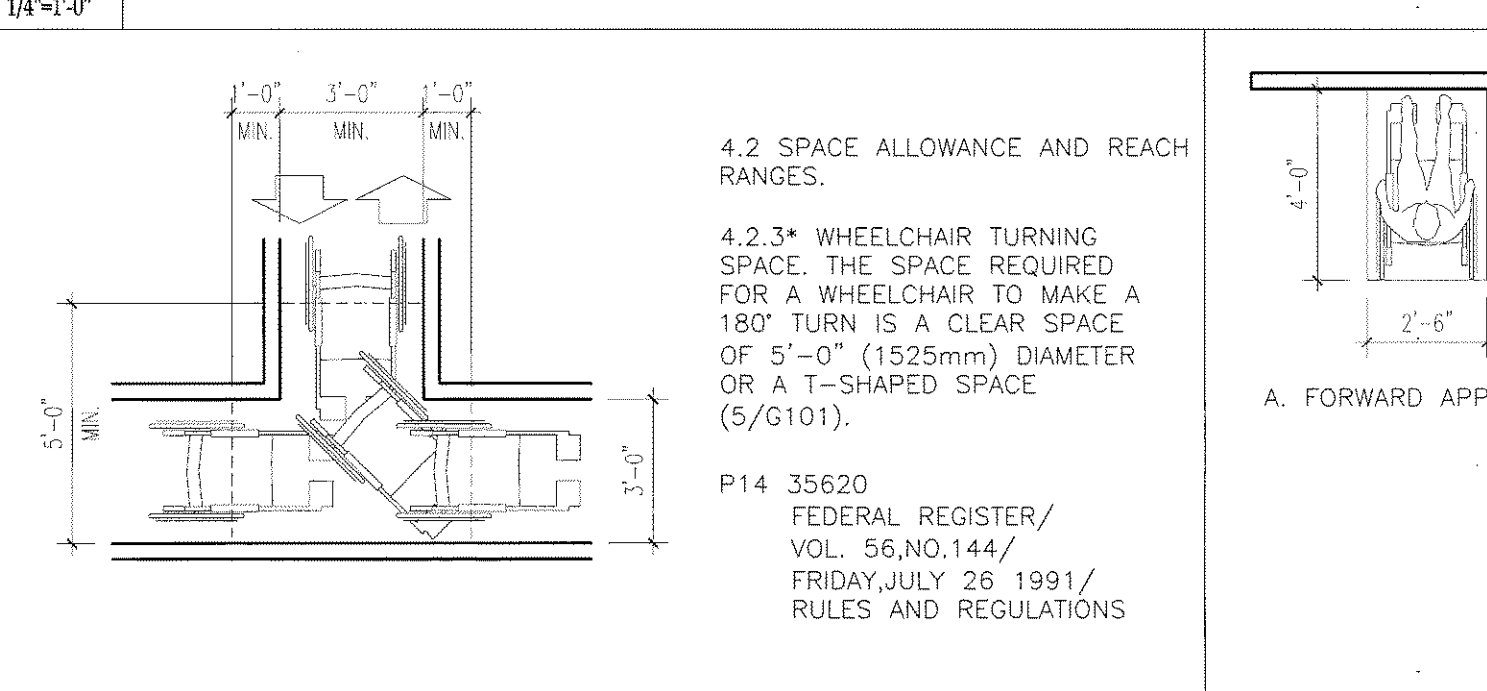
P14 35620 FEDERAL REGISTER/ VOL. 56,NO.144/ FRIDAY,JULY 26 1991/ RULES AND REGULATIONS



M17 CANE CLEARANCES

1/4"=1'-0"

4.2.2.3 WALL MOUNTED FIXTURES ARE TO BE 4" OR LESS FROM WALL UP TO A HEIGHT OF 6'-8" ABOVE FINISHED FLOOR.

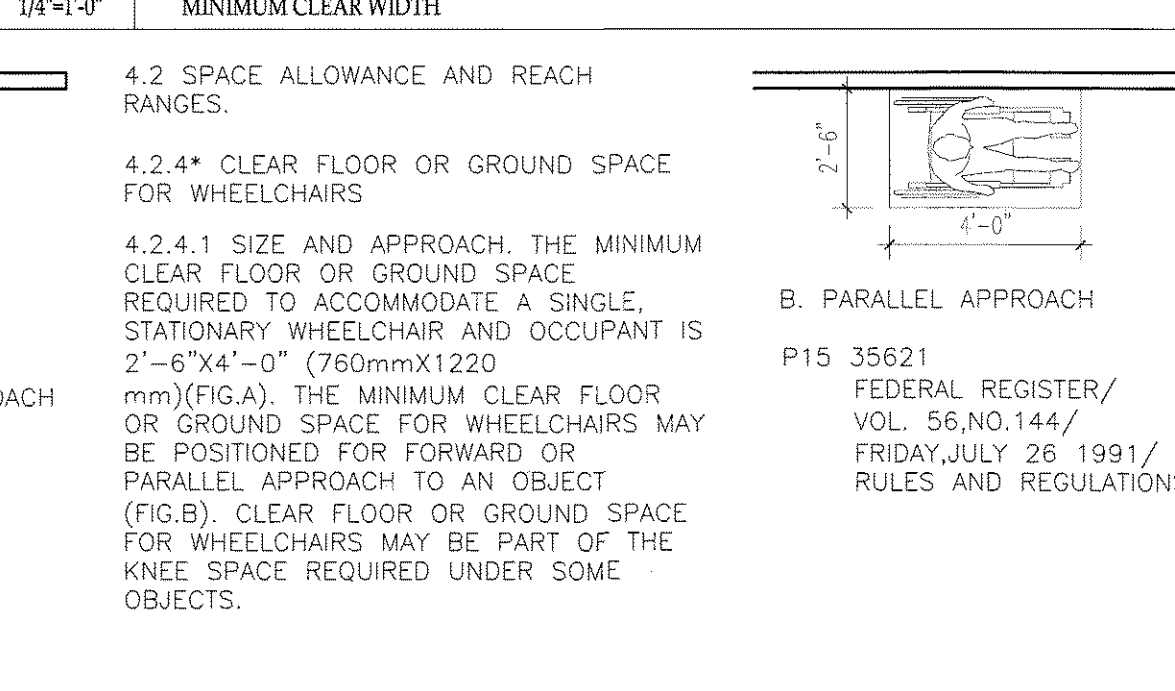


J1 T-SHAPED SPACE FOR 180° TURNS

1/4"=1'-0"

4.2.3* WHEELCHAIR TURNING SPACE. THE SPACE REQUIRED FOR A WHEELCHAIR TO MAKE A 180° TURN IS A CLEAR SPACE OF 5'-0" (1525mm) DIAMETER OR A T-SHAPED SPACE (5/6101).

P14 35620 FEDERAL REGISTER/ VOL. 56,NO.144/ FRIDAY,JULY 26 1991/ RULES AND REGULATIONS



J5 FORWARD AND PARALLEL APPROACHES

1/4"=1'-0"

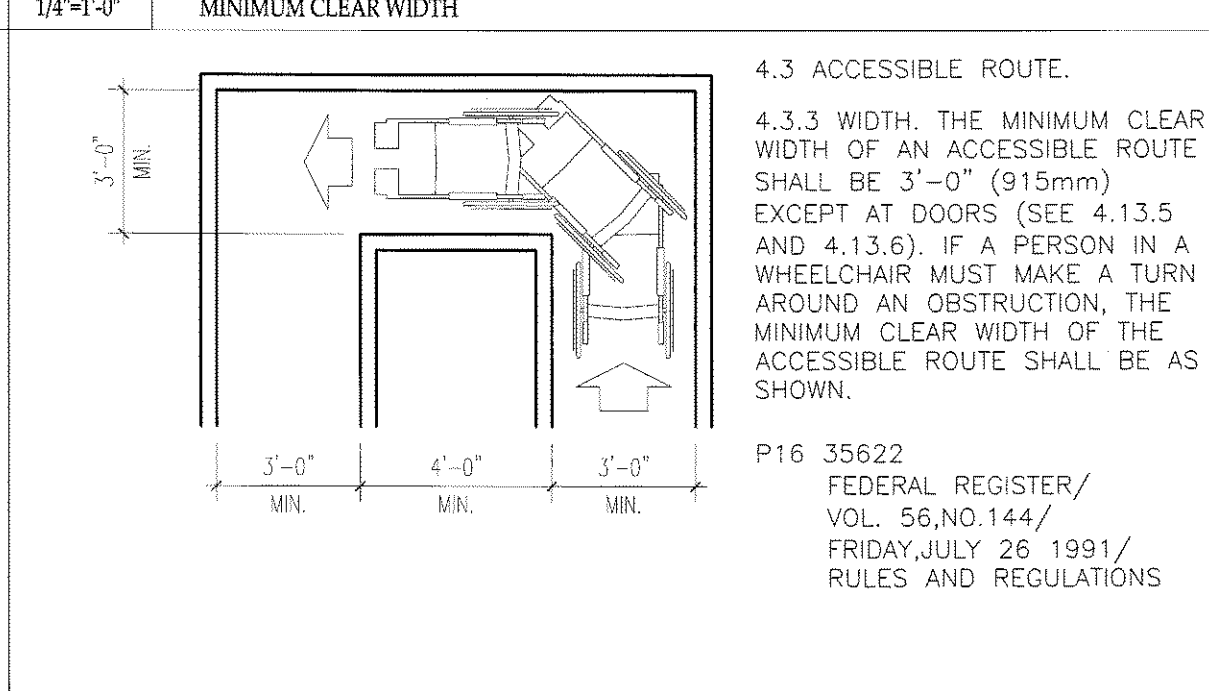
4.2.4* CLEAR FLOOR OR GROUND SPACE FOR WHEELCHAIRS

4.2.4.1 SIZE AND APPROACH. THE MINIMUM CLEAR FLOOR OR GROUND SPACE FOR WHEELCHAIRS MAY BE POSITIONED FOR FORWARD OR PARALLEL APPROACH TO AN OBJECT (FIG.A). CLEAR FLOOR OR GROUND SPACE FOR WHEELCHAIRS MAY BE PART OF THE KNEE SPACE REQUIRED UNDER SOME OBJECTS.

A. FORWARD APPROACH

B. PARALLEL APPROACH

P15 35621 FEDERAL REGISTER/ VOL. 56,NO.144/ FRIDAY,JULY 26 1991/ RULES AND REGULATIONS



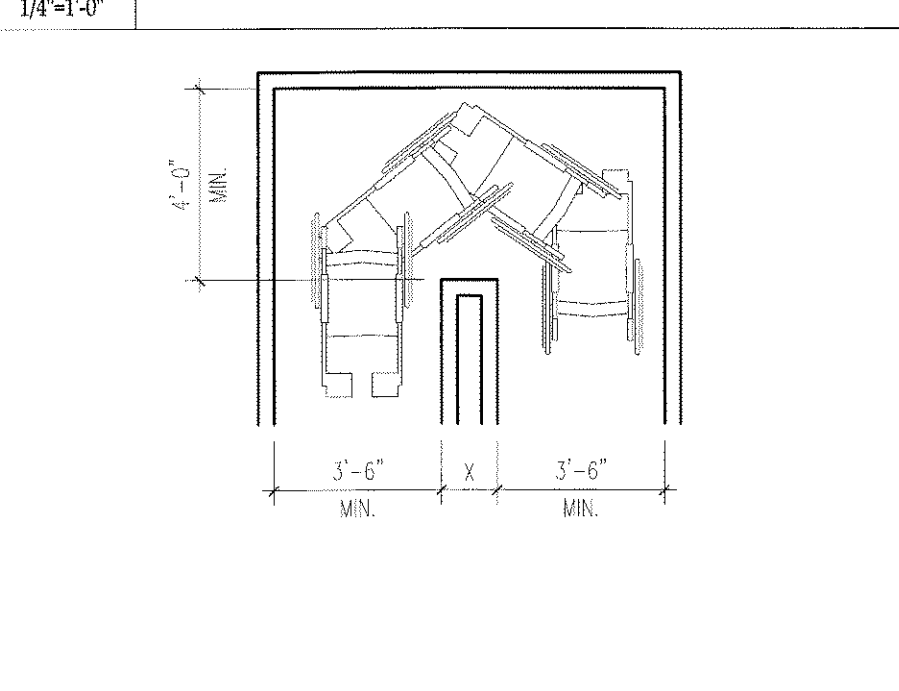
J10 90° TURNS

1/4"=1'-0"

4.3 ACCESSIBLE ROUTE.

4.3.3 WIDTH. THE MINIMUM CLEAR WIDTH OF AN ACCESSIBLE ROUTE SHALL BE 3'-0" (915mm) EXCEPT AT DOORS (SEE 4.13.5 AND 4.13.6). IF A PERSON IN A WHEELCHAIR MUST MAKE A TURN AROUND AN OBSTRUCTION, THE MINIMUM CLEAR WIDTH OF THE ACCESSIBLE ROUTE SHALL BE AS SHOWN.

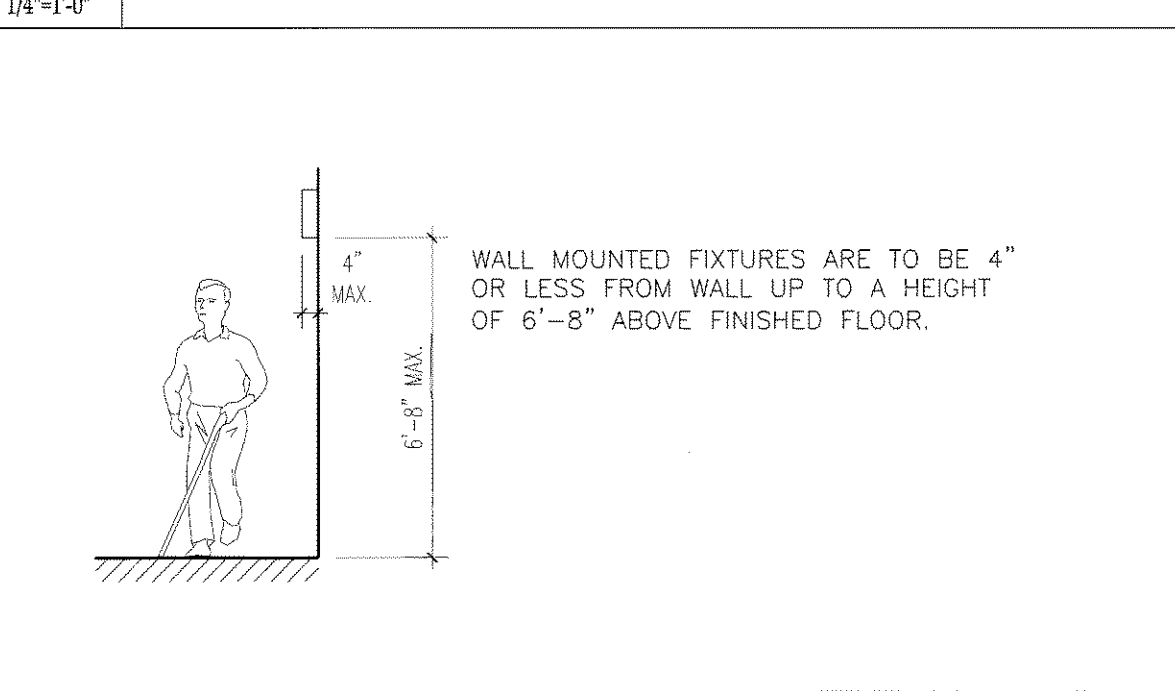
P16 35622 FEDERAL REGISTER/ VOL. 56,NO.144/ FRIDAY,JULY 26 1991/ RULES AND REGULATIONS



J14 TURN AROUND

1/4"=1'-0"

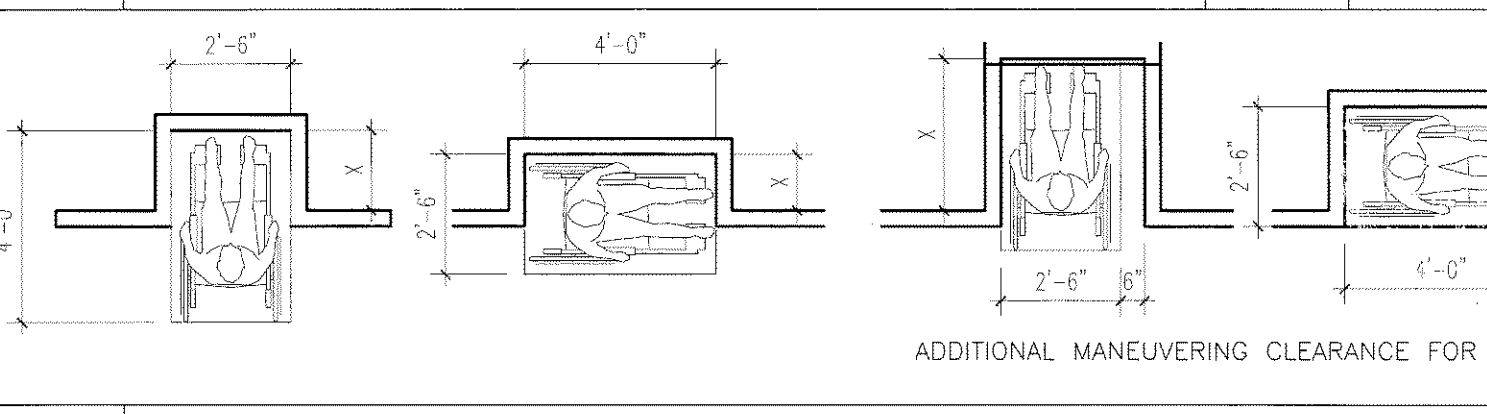
AND OBSTRUCTIONS



J17 WALL MOUNTED FIXTURES

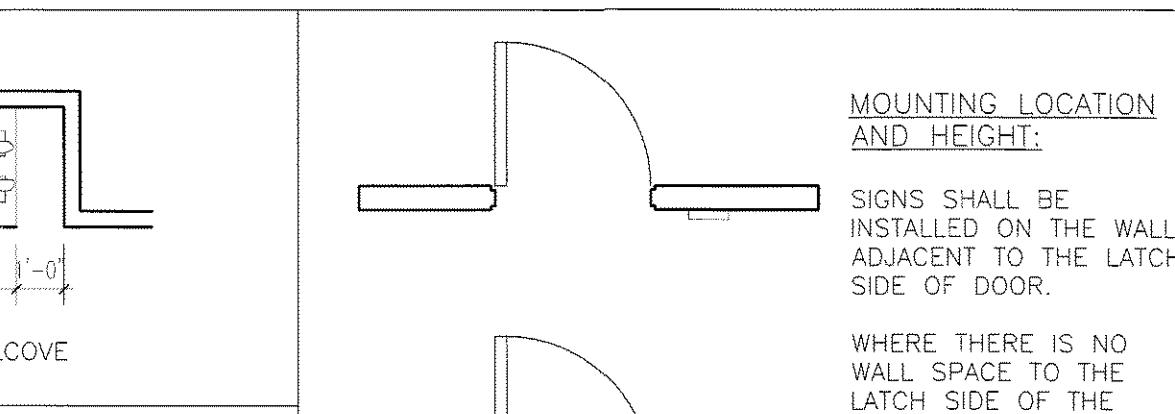
1/4"=1'-0"

CLEARANCES



G1 CLEAR FLOOR SPACE IN ALCOVE

1/4"=1'-0"



D7 SIGNAGE

1/4"=1'-0"

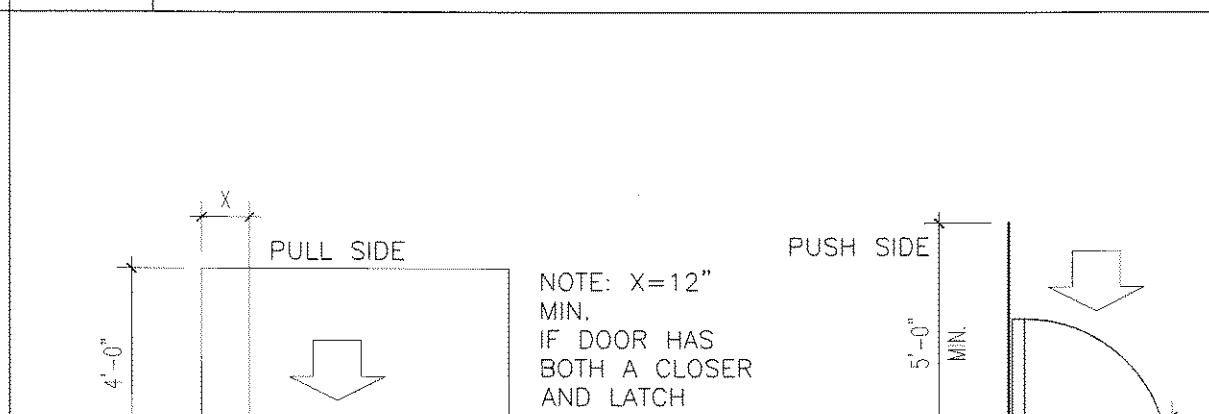
MOUNTING LOCATION AND HEIGHT:

SIGNS SHALL BE INSTALLED ON THE WALL ADJACENT TO THE LATCH SIDE OF DOOR.

WHERE THERE IS NO WALL SPACE TO THE LATCH SIDE OF THE DOOR, SIGNS SHALL BE PLACED ON THE NEAREST ADJACENT WALL.

MOUNTING HEIGHT SHALL BE 60 IN. ABOVE THE FINISH FLOOR TO THE CENTERLINE OF THE SIGN.

MOUNTING HEIGHT SHALL BE SO A PERSON MAY APPROACH WITHIN 3 IN. OF SIGNAGE WITHOUT ENCOUNTERING PROTRUDING OBJECTS OR STANDING WITHIN THE SWING OF A DOOR.



D10 MANEUVERING CLEARANCES AT DOOR

1/4"=1'-0"

FRONT APPROACH- SWINGING DOOR

PULL SIDE NOTE: X=12" MIN. IF DOOR HAS BOTH A CLOSER AND LATCH

PUSH SIDE 5'-0" MIN.

HINGE SIDE APPROACH- SWINGING DOOR

PULL SIDE NOTE: Y=48" MIN. IF DOOR HAS BOTH A CLOSER AND LATCH

PUSH SIDE 4'-6" MIN.

LATCH SIDE APPROACH- SWINGING DOOR

PULL SIDE NOTE: Y=54" MIN. IF DOOR HAS BOTH A CLOSER

PUSH SIDE 4'-0" MIN.

LATCH SIDE APPROACH- SWINGING DOOR

LATCH SIDE APPROACH- SLIDING OR FOLDING DOORS

PULL SIDE 3'-6" MIN.

LATCH SIDE APPROACH- SLIDING OR FOLDING DOORS

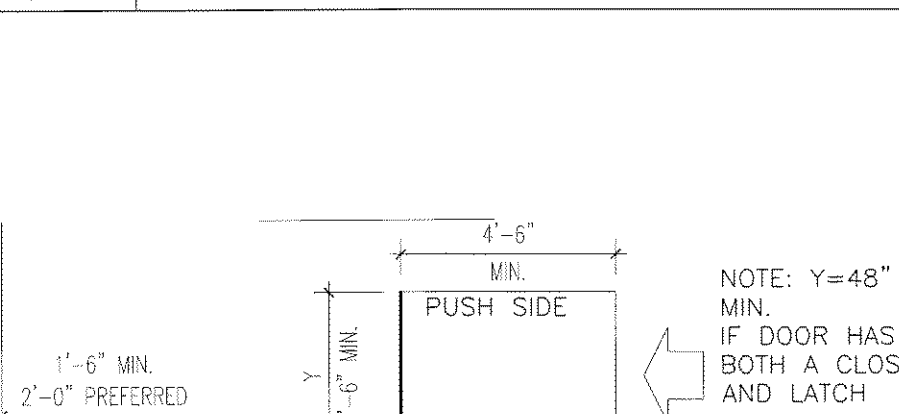
SLIDE SIDE APPROACH- SLIDING OR FOLDING DOORS

PULL SIDE 4'-6" MIN.

LATCH SIDE APPROACH- SLIDING OR FOLDING DOORS

PULL SIDE 3'-6" MIN.

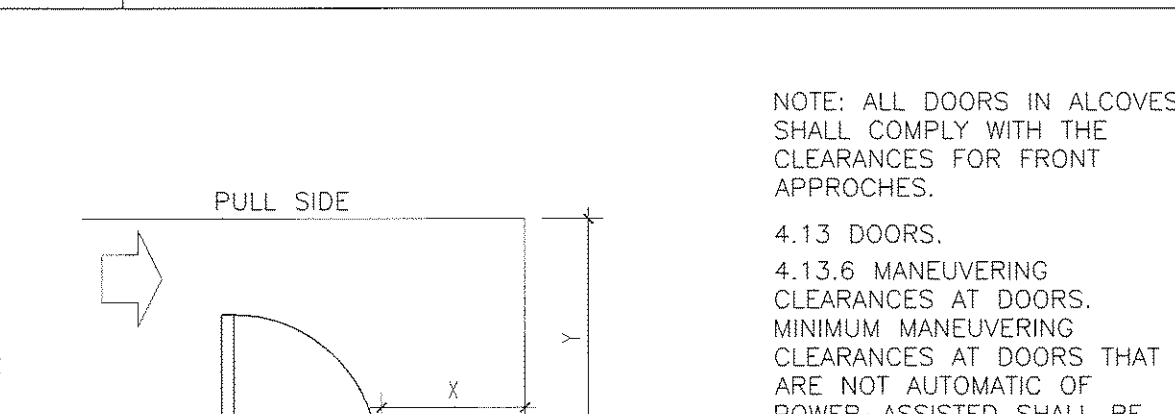
LATCH SIDE APPROACH- SLIDING OR FOLDING DOORS



J14 TURN AROUND

1/4"=1'-0"

AND OBSTRUCTIONS



J17 WALL MOUNTED FIXTURES

1/4"=1'-0"

CLEARANCES

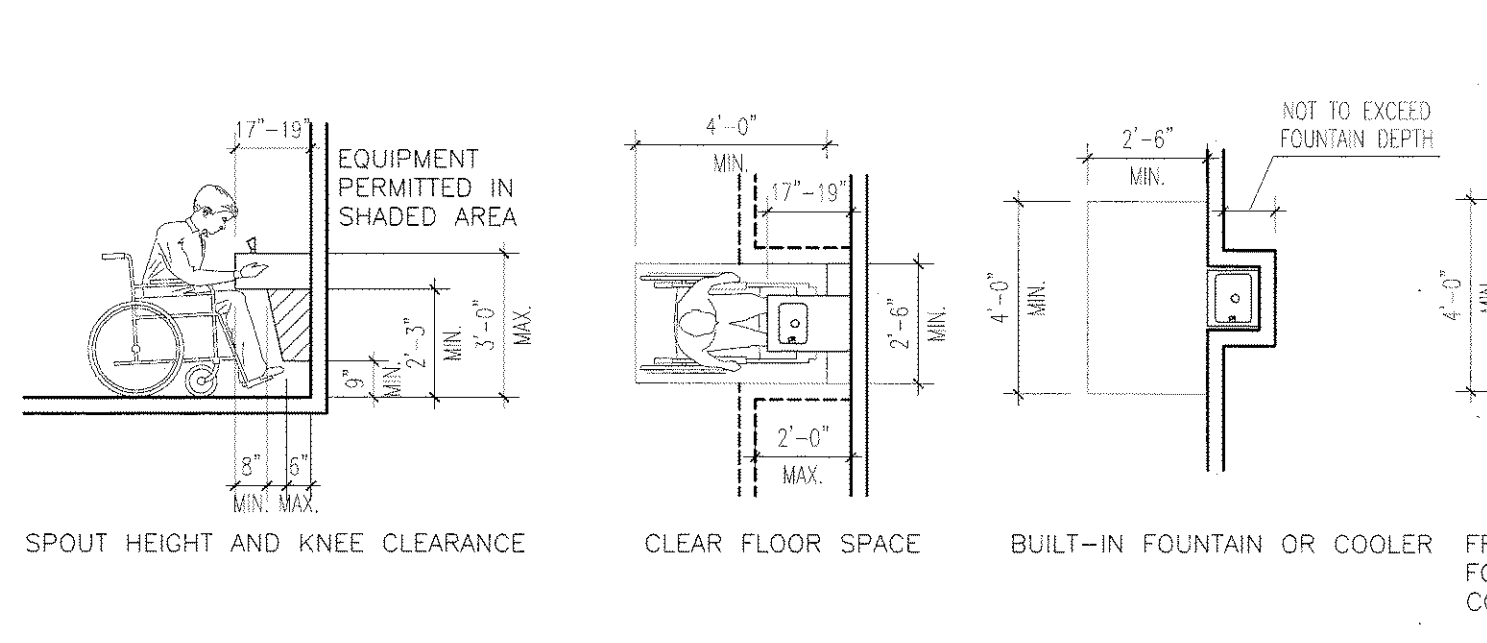
NOTE: ALL DOORS IN ALCOVES SHALL COMPLY WITH THE CLEARANCES FOR FRONT APPROACHES.

4.13 DOORS.

4.13.6 MANEUVERING CLEARANCES AT DOORS. MINIMUM MANEUVERING CLEARANCES AT DOORS THAT ARE NOT AUTOMATIC OR POWER-ASSISTED SHALL BE AS SHOWN. THE FLOOR OR GROUND AREA WITHIN THE REQUIRED CLEARANCES SHALL BE LEVEL AND CLEAR.

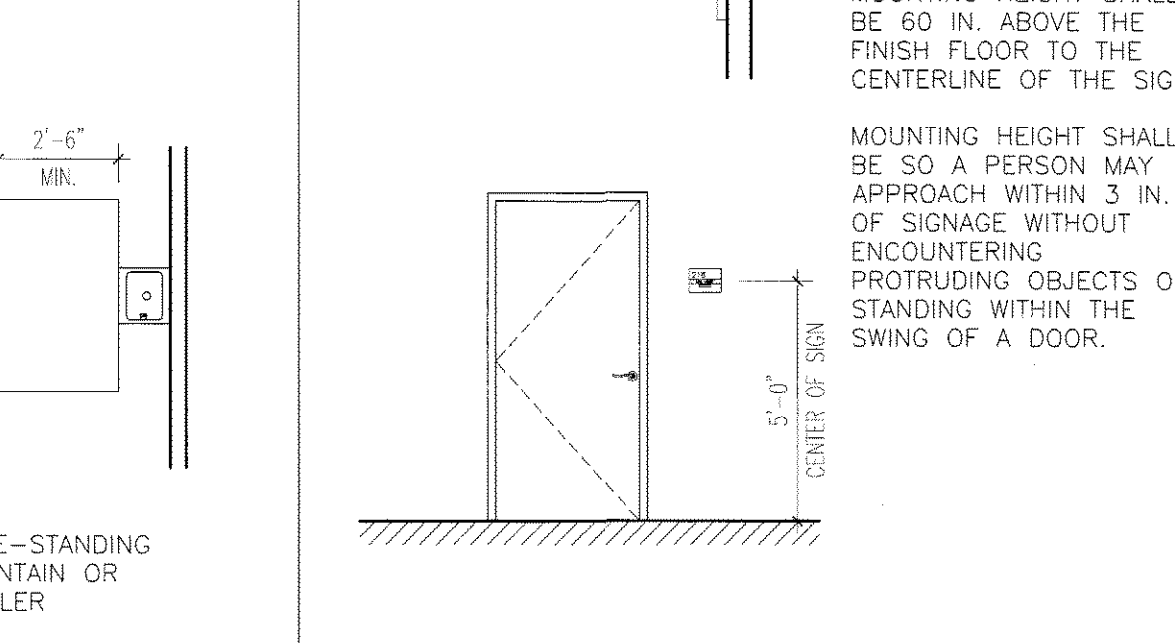
EXCEPTION: ENTRY DOORS TO ACUTE CARE HOSPITAL BEDROOMS FOR IN-PATIENTS SHALL BE EXEMPTED FROM THE REQUIREMENT FOR SPECIAL LATCH SIDE OF THE DOOR (SEE DIMENSION "X"). IF THE DOOR IS AT LEAST 44" (1220mm) WIDE.

P36 35642 FEDERAL REGISTER/ VOL. 56,NO.144/ FRIDAY,JULY 26 1991/ RULES AND REGULATIONS



D1 CLEARANCES FOR FOUNTAIN

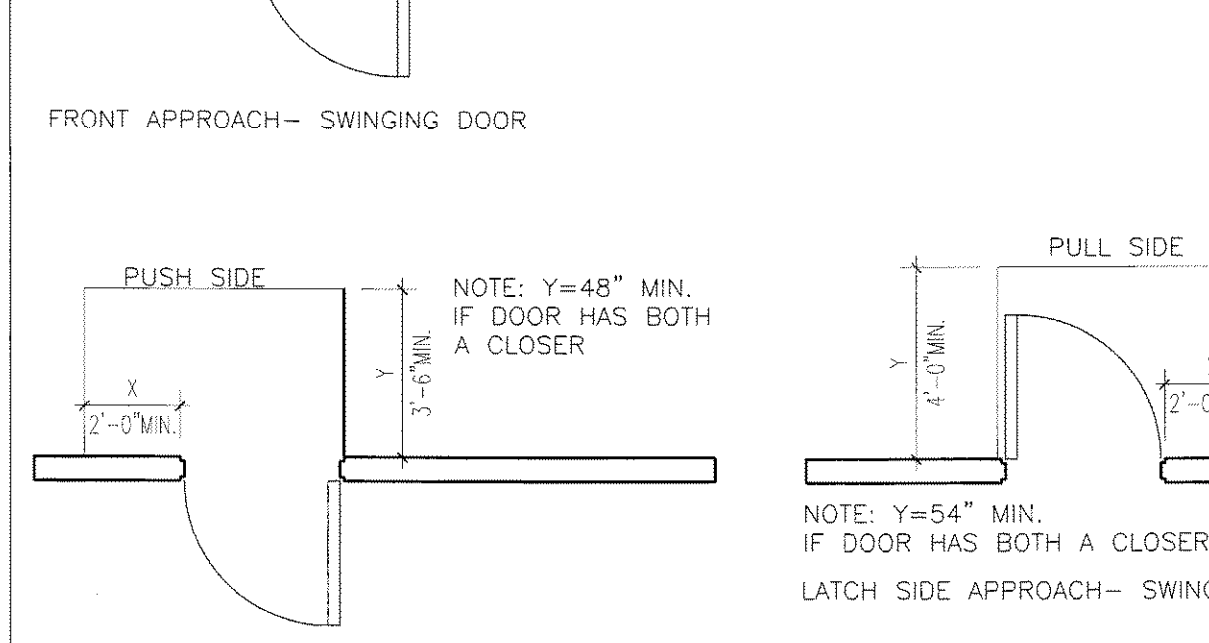
1/4"=1'-0"



D7 SIGNAGE

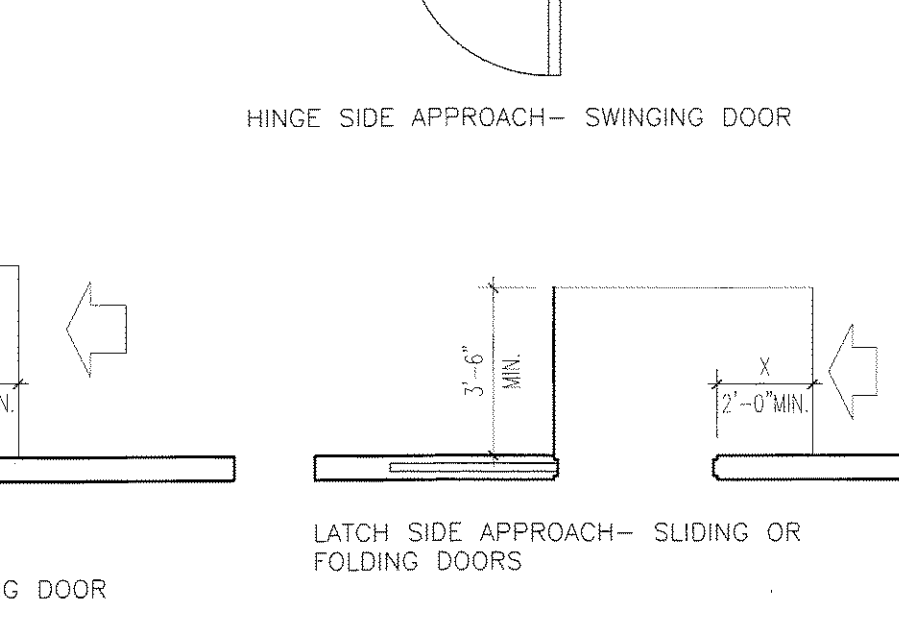
1/4"=1'-0"

MOUNTING LOCATION AND HEIGHT



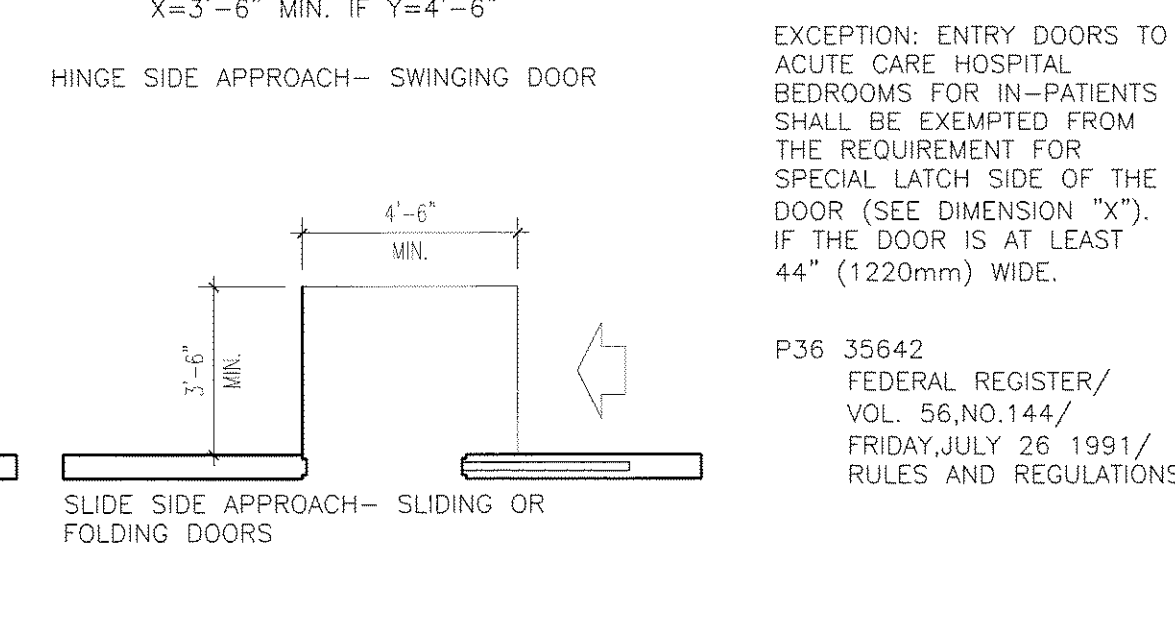
D10 MANEUVERING CLEARANCES AT DOOR

1/4"=1'-0"



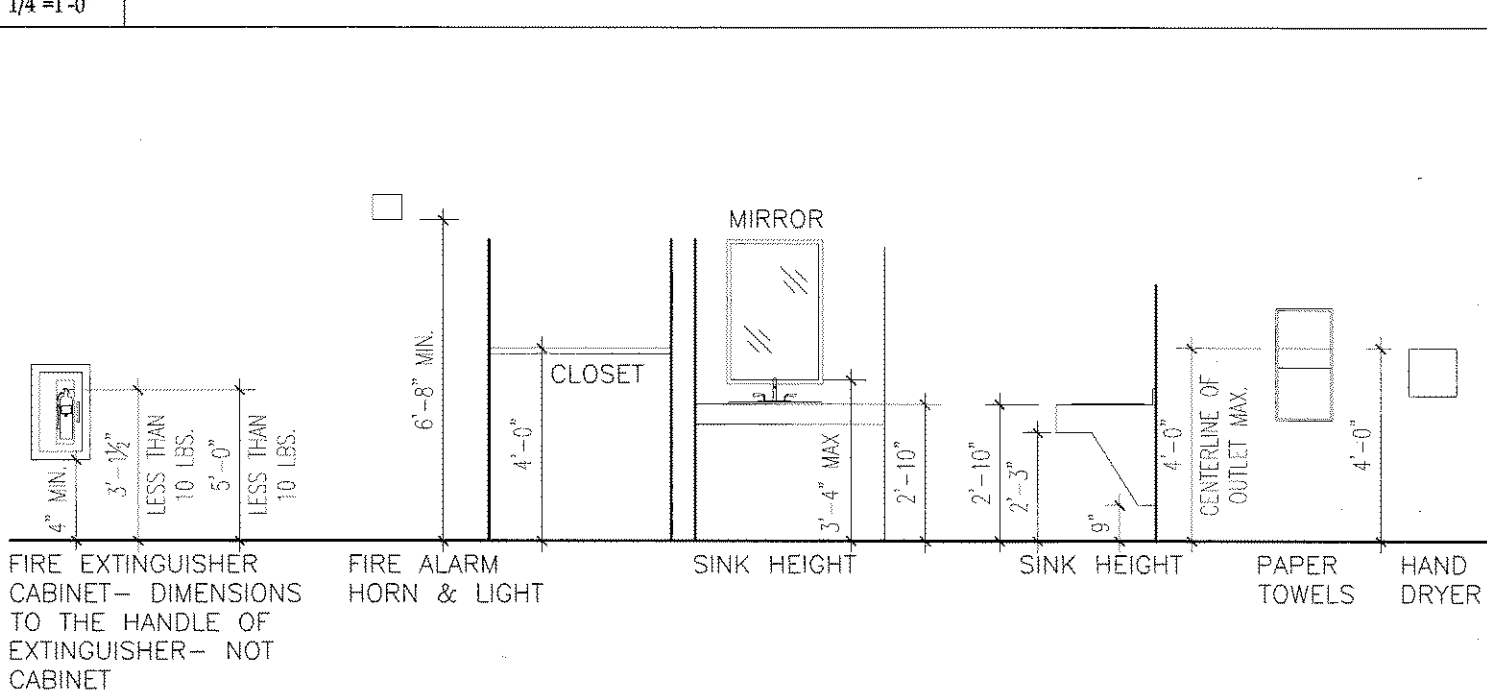
A17 TWO HINGED DOORS IN SERIES

1/4"=1'-0"



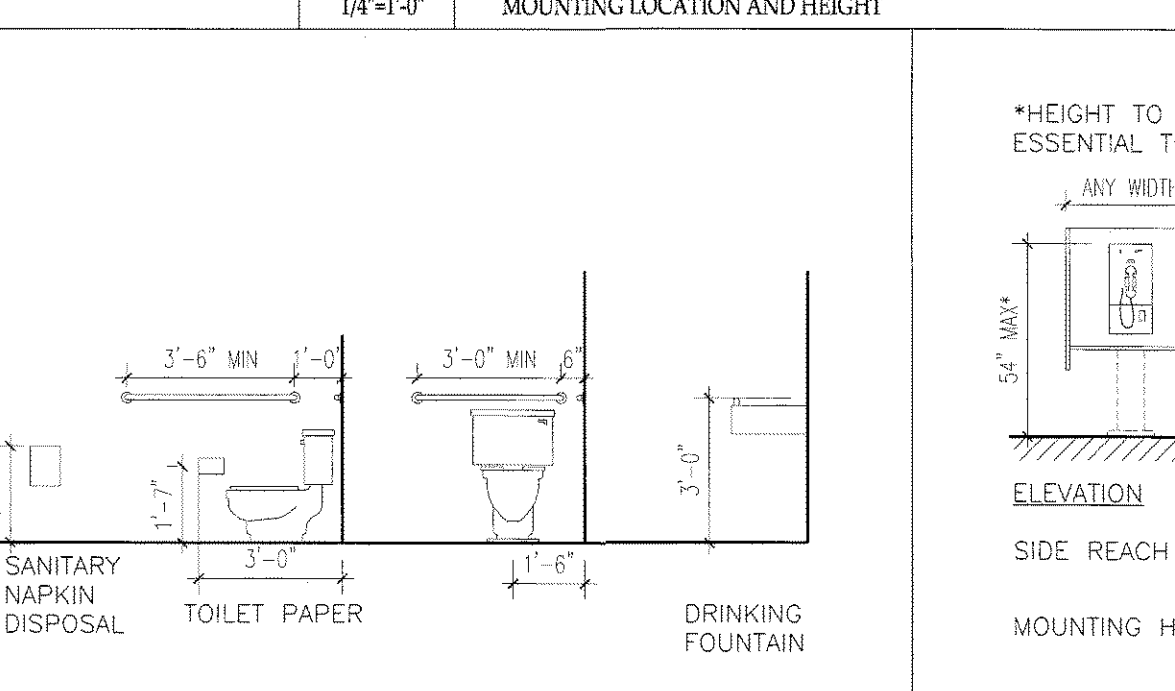
D1 CLEARANCES FOR FOUNTAIN

1/4"=1'-0"



A1 CLEARANCES FOR BATHROOMS AND MISCELLANEOUS ITEMS

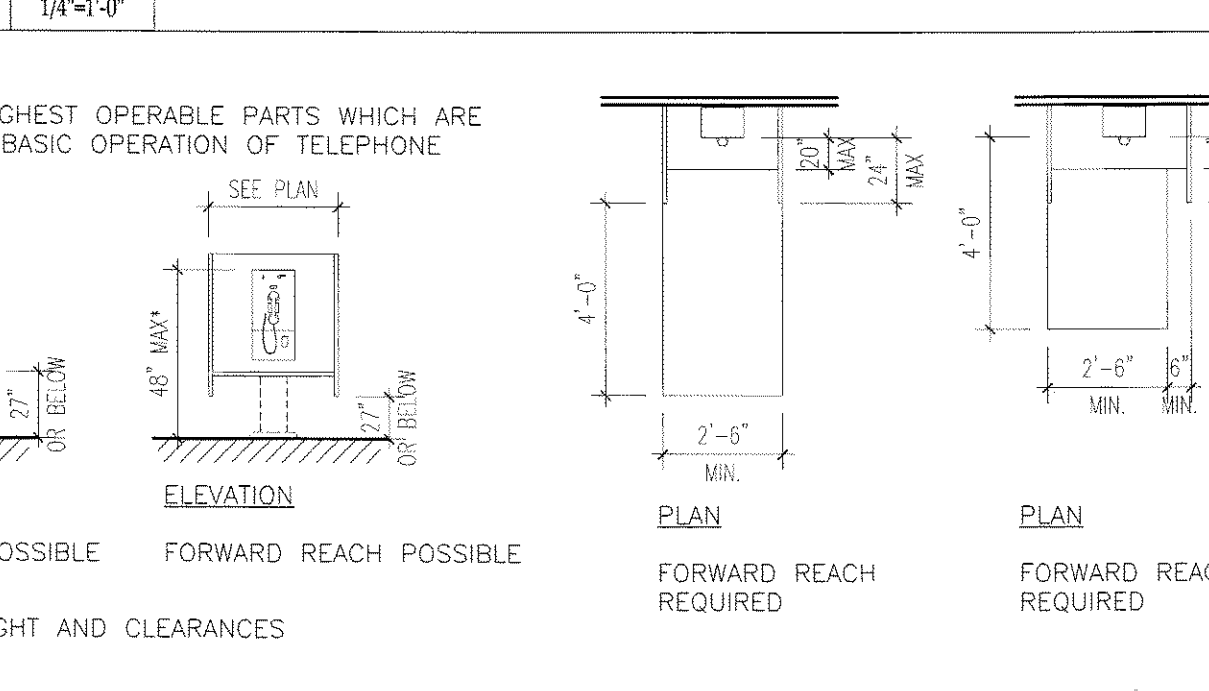
1/4"=1'-0"



D7 SIGNAGE

1/4"=1'-0"

MOUNTING LOCATION AND HEIGHT



A9 CLEARANCES FOR TELEPHONE

1/4"=1'-0"

*HEIGHT TO HIGHEST OPERABLE PARTS WHICH ARE ESSENTIAL TO BASIC OPERATION OF TELEPHONE

ELEVATION SIDE REACH POSSIBLE

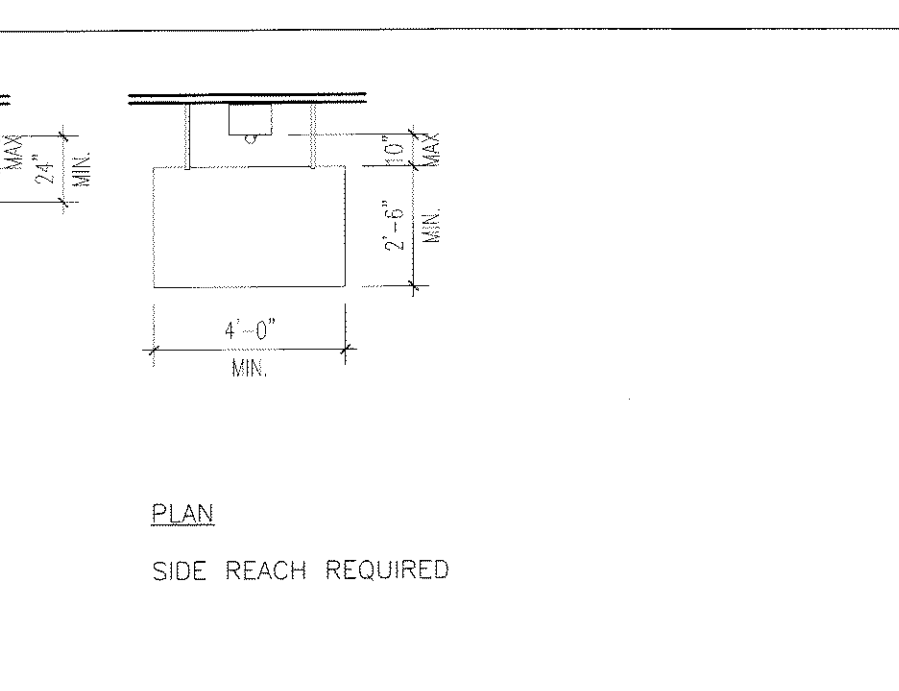
ELEVATION FORWARD REACH POSSIBLE

PLAN FORWARD REACH REQUIRED

PLAN FORWARD REACH REQUIRED

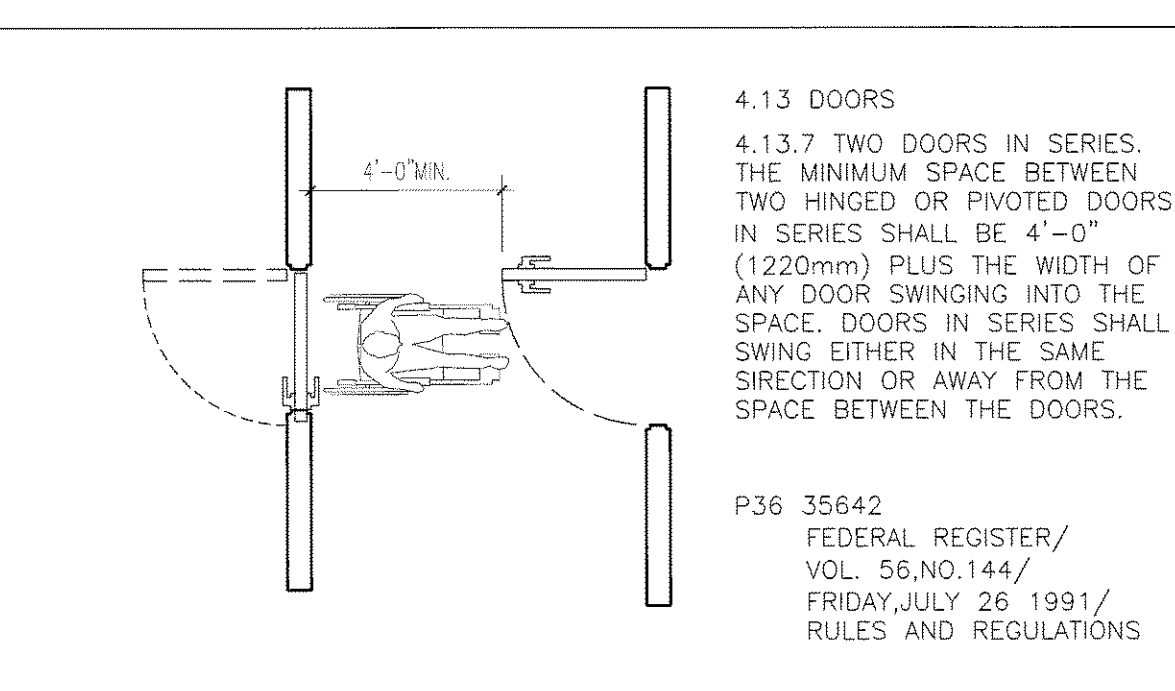
PLAN SIDE REACH REQUIRED

MOUNTING HEIGHT AND CLEARANCES



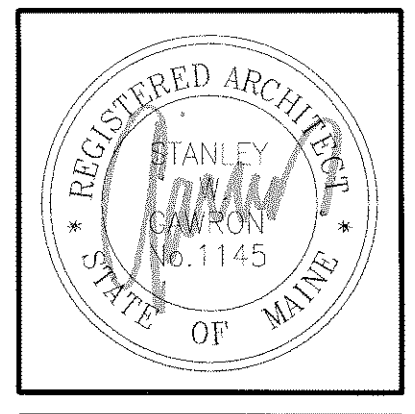
A17 TWO HINGED DOORS IN SERIES

1/4"=1'-0"



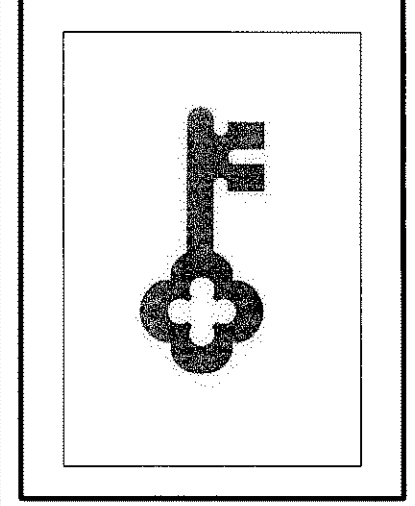
A1 CLEARANCES FOR BATHROOMS AND MISCELLANEOUS ITEMS

1/4"=1'-0"



GAWRON TURGEON ARCHITECTS
29 Black Point Road
Scarborough, ME 04074
www.gawronturgeon.com
Tel. 207. 883. 6307
Fax. 207. 883. 0361

KeyBank
Office Renovation
One Canal Plaza



REVISIONS	
#	DESCRIPTION
1	08.29.07
2	10.29.07

DATE:	10.22.07
PROJECT #	028007
DRAWN BY:	LAP
CHECKED BY:	MET
DRAWING SCALE	AS NOTED

SHEET TITLE

GENERAL ADA STANDARDS

G104

© COPYRIGHT 1985-2006
REPRODUCTION OR RESALE OF THIS DOCUMENT WITHOUT WRITTEN PERMISSION OF GAWRON TURGEON ARCHITECTS IS PROHIBITED.