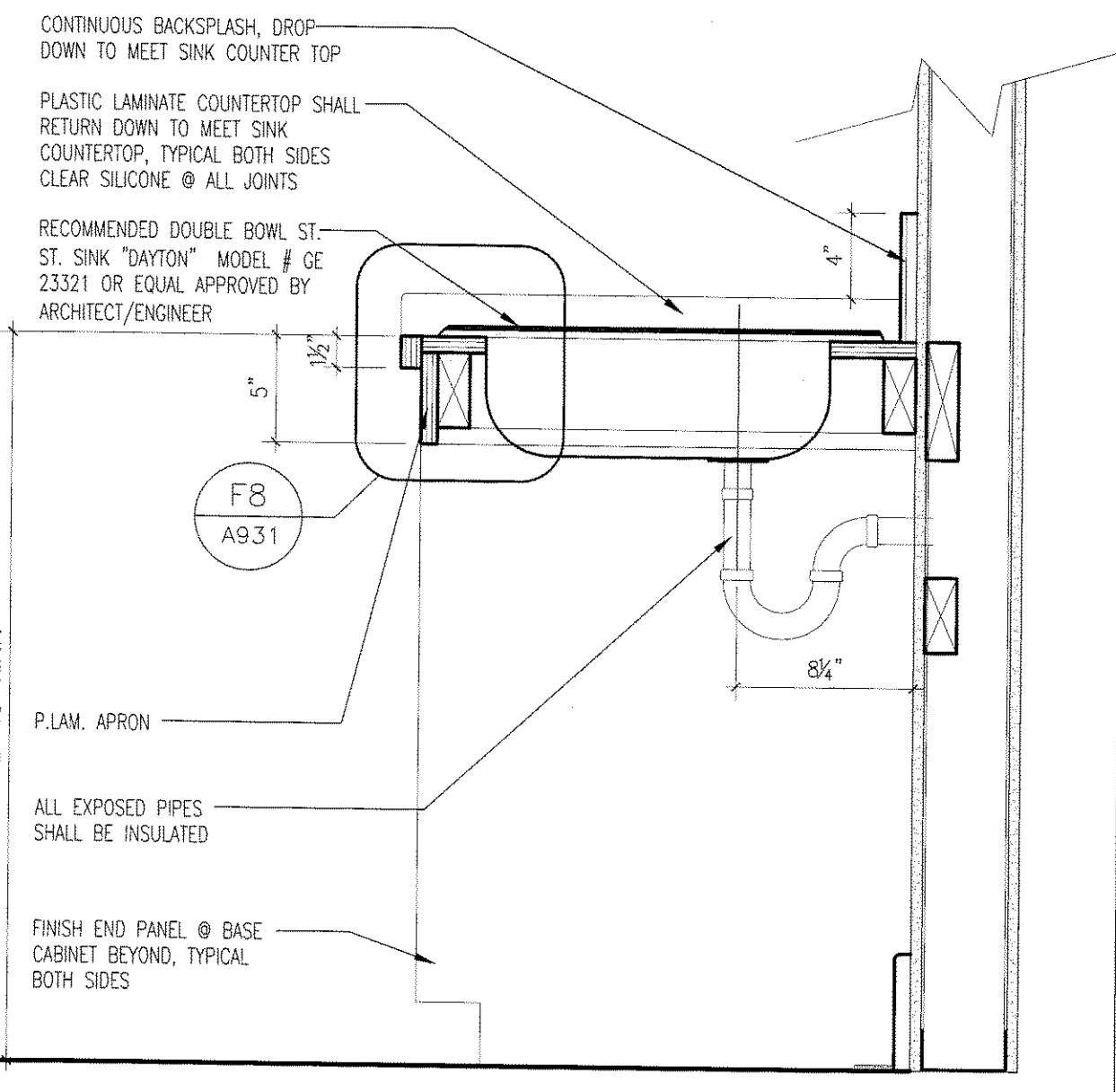


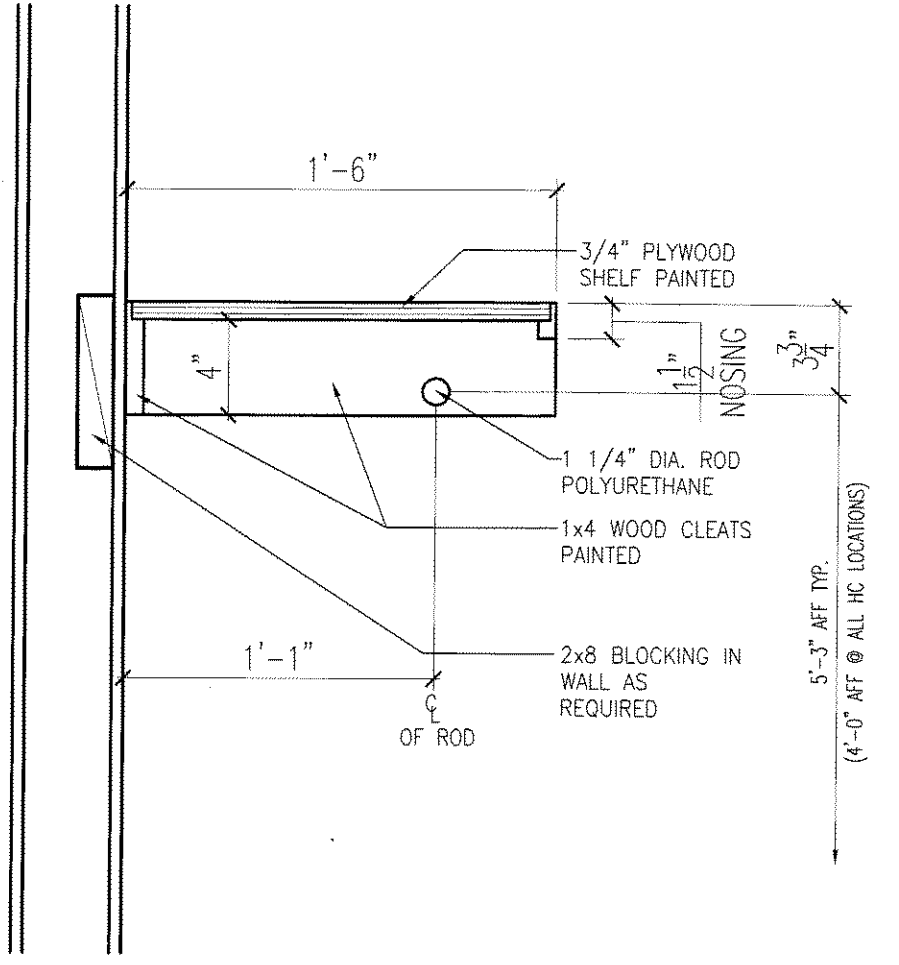
L1 PLINTH DETAIL @ CASING

1 1/2"=1'-0"



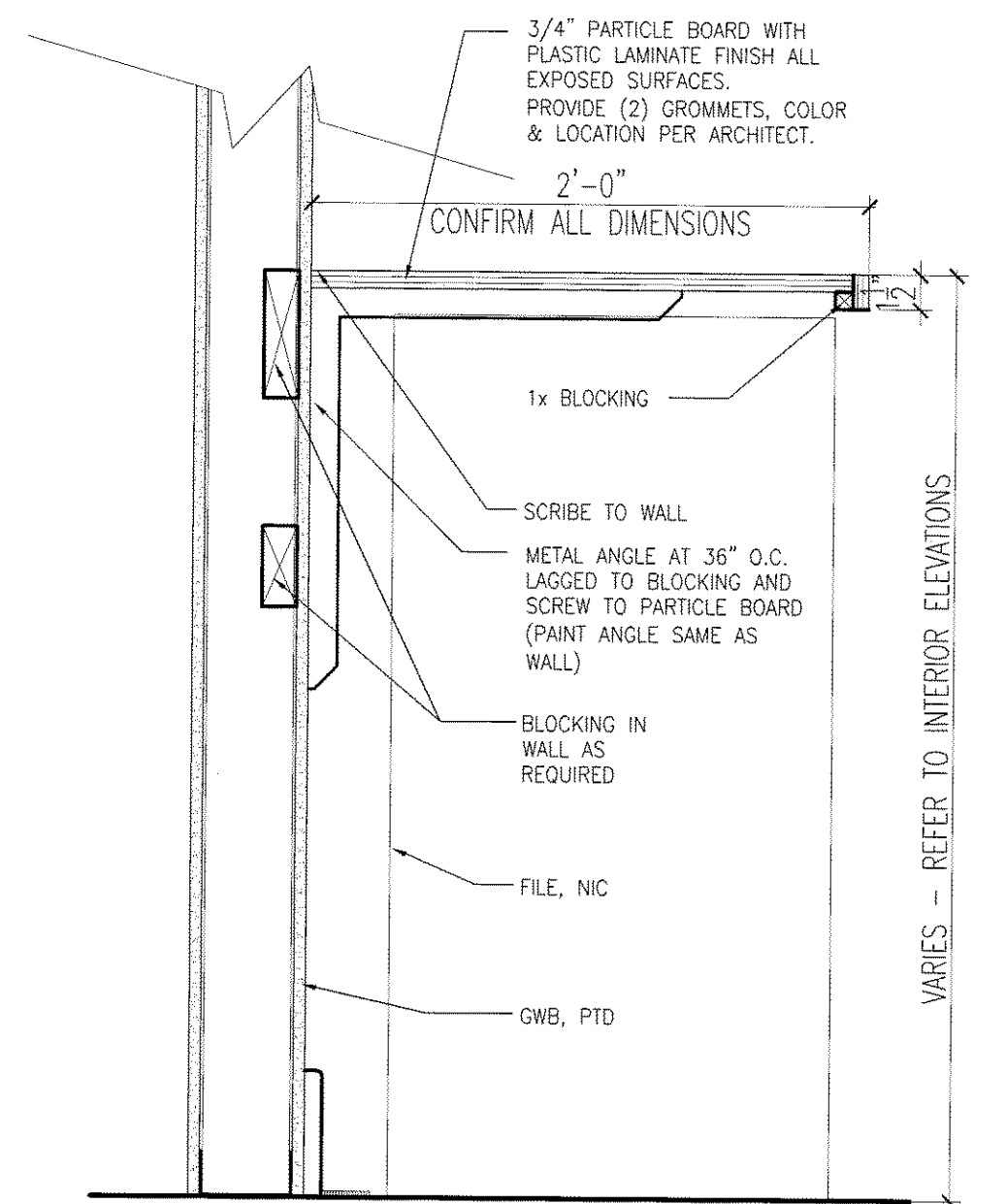
L8 ADA SINK DETAIL

1 1/2"=1'-0"



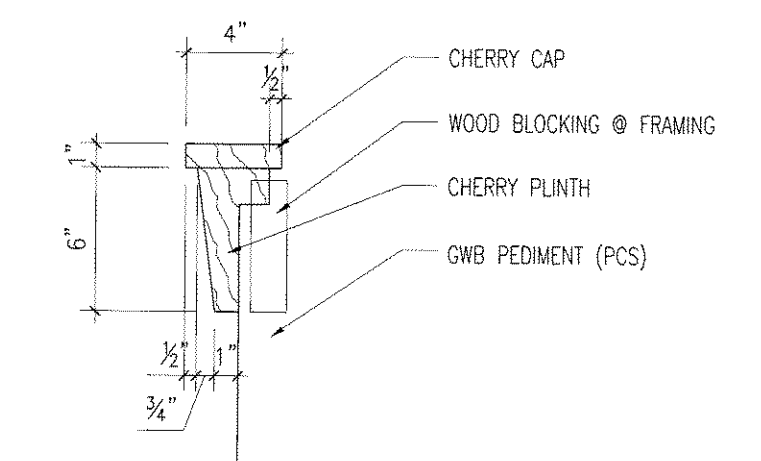
L13 ROD & SHELF

1 1/2"=1'-0"



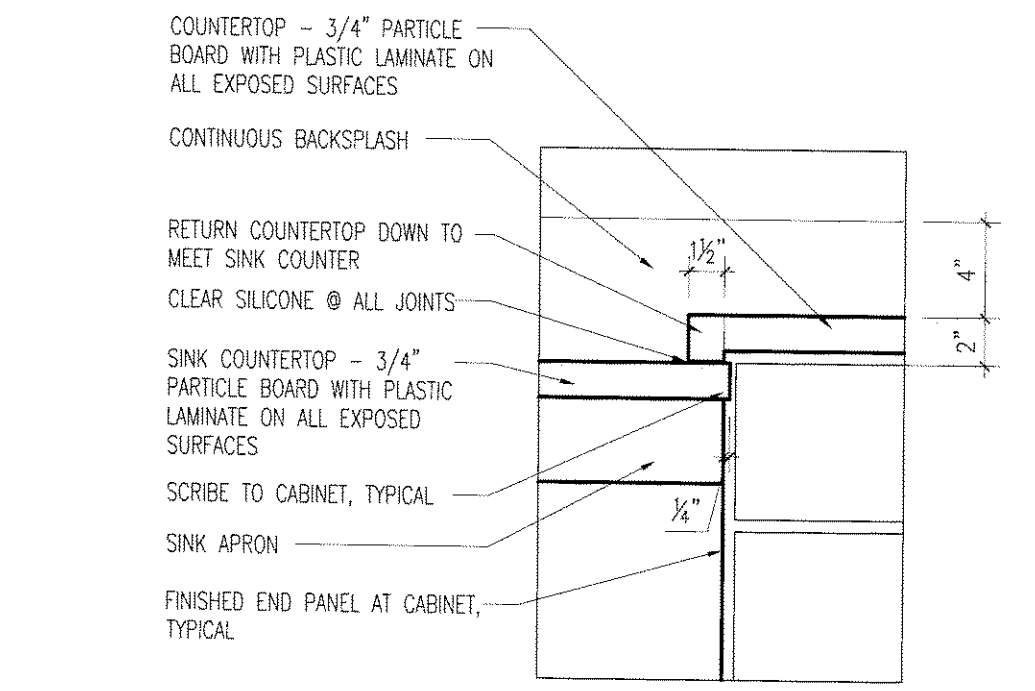
L17 P.LAM. WORKSURFACE

1 1/2"=1'-0"



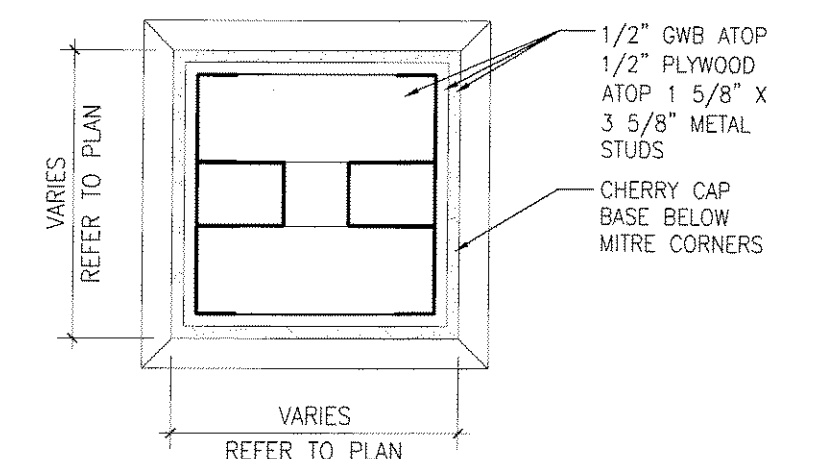
F1 PLINTH DETAIL @ PEDIMENT - SIDE VIEW

1 1/2"=1'-0"



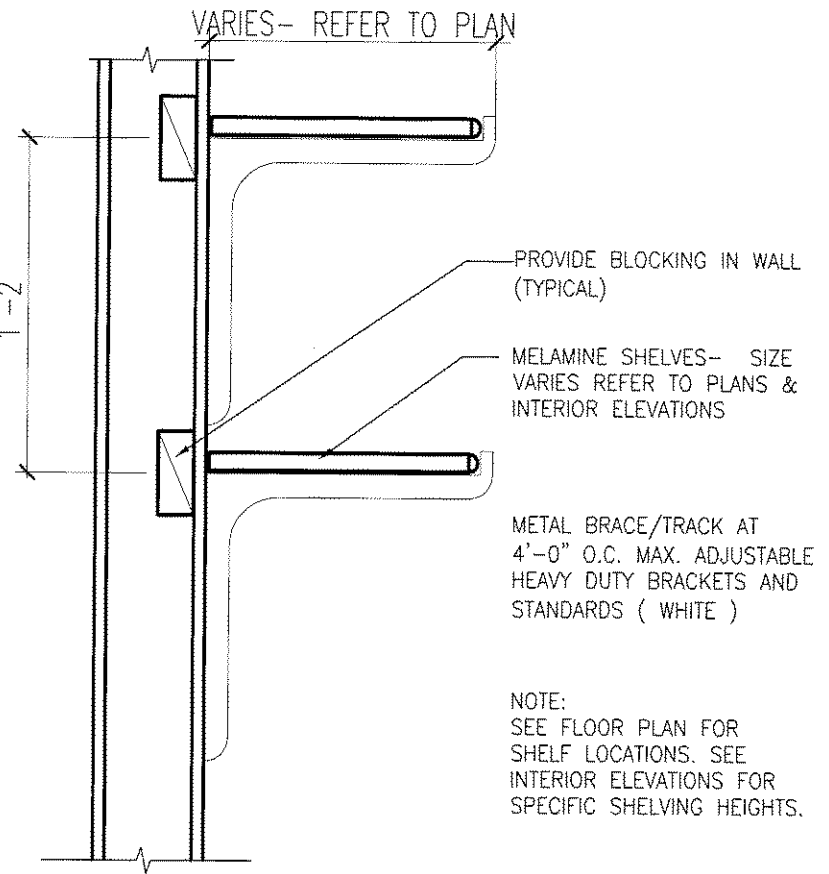
F8 ADA COUNTER DETAIL

1 1/2"=1'-0"



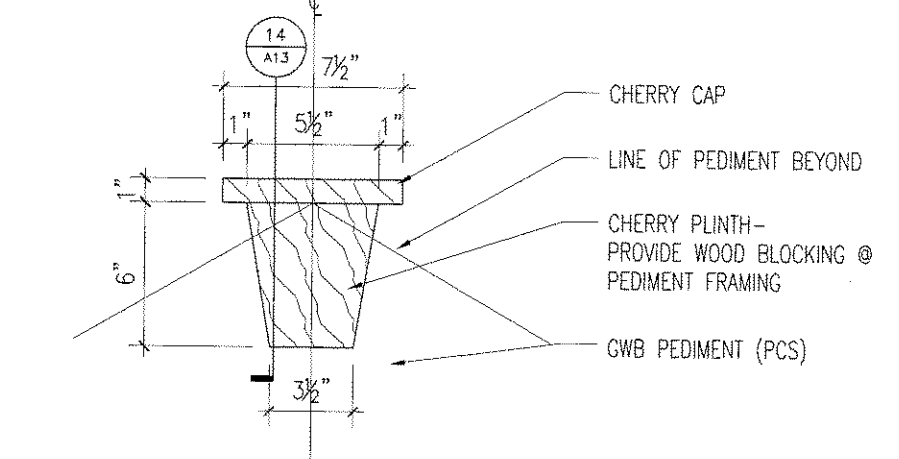
F13 DETAIL AT NEW COLUMN

1 1/2"=1'-0"



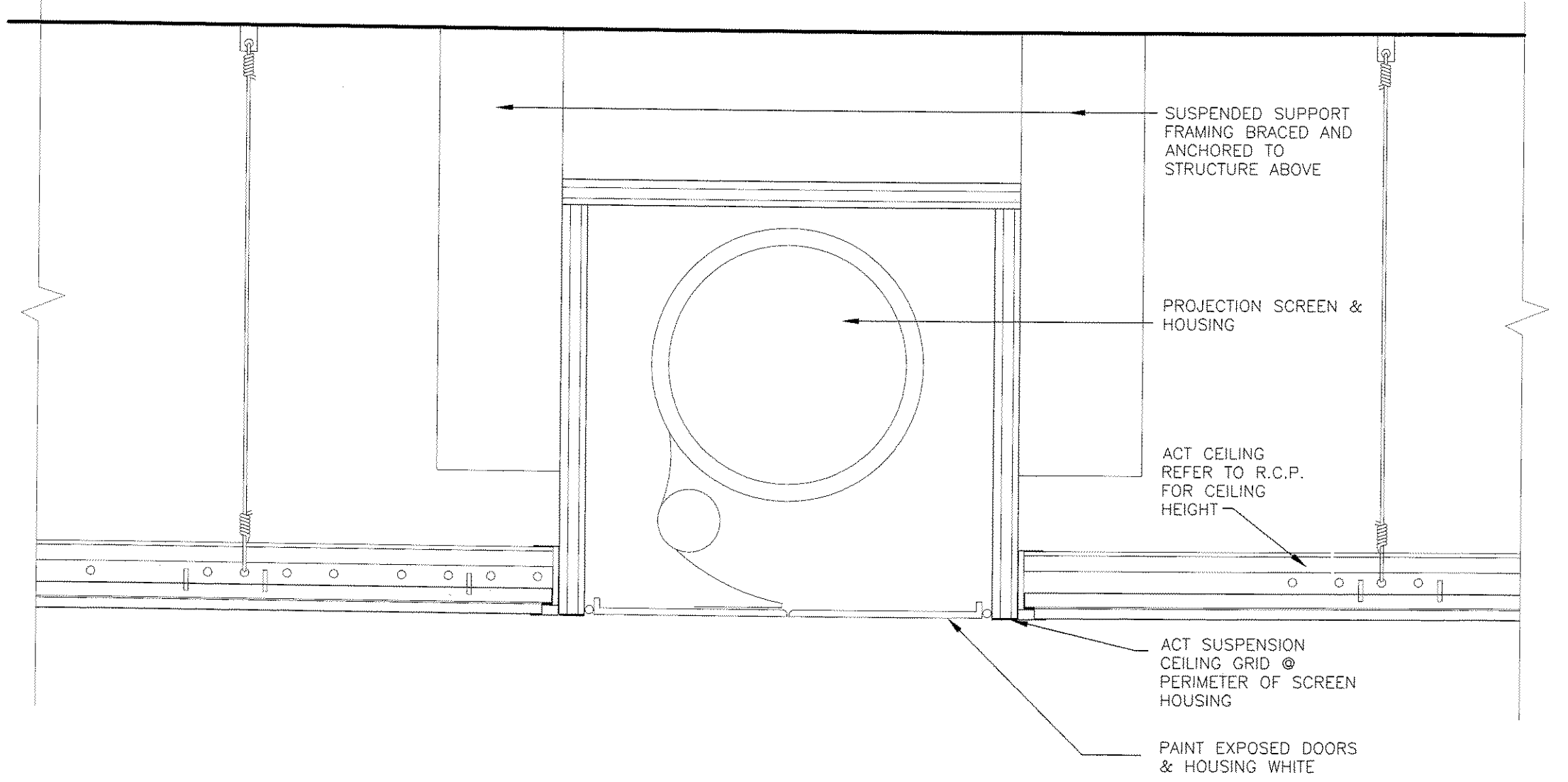
F17 ADJUSTABLE SHELVING

1 1/2"=1'-0"



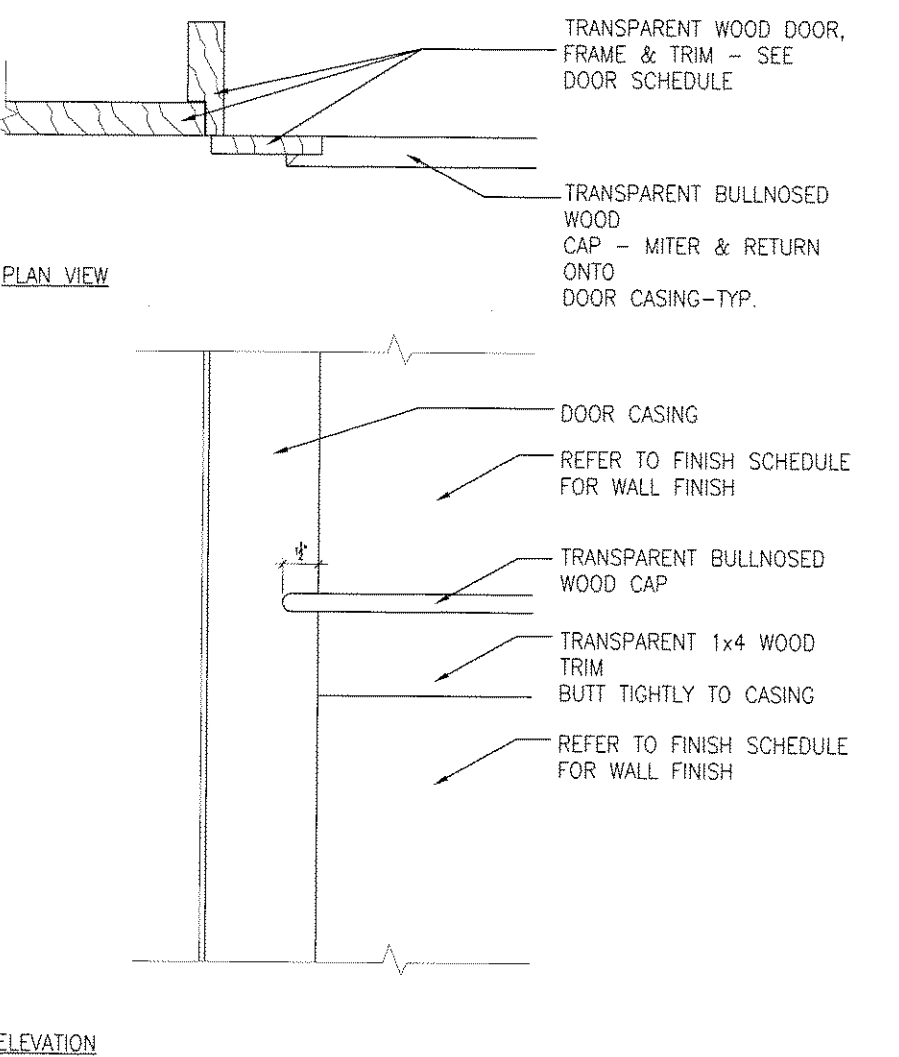
A1 PLINTH DETAIL @ PEDIMENT - ELEV

1 1/2"=1'-0"



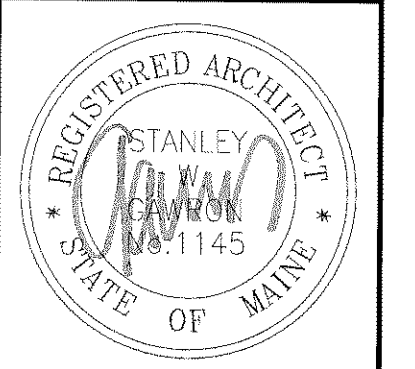
A8 PROJECTION SCREEN DETAIL

3"=1'-0"



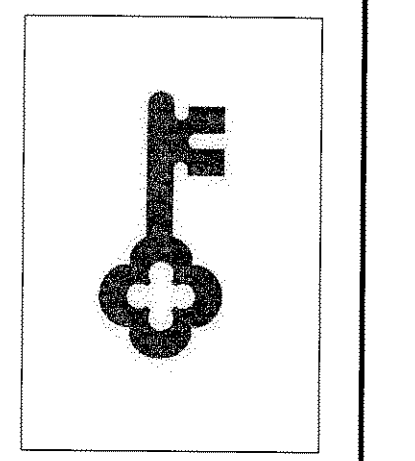
A17 CHAIRRAIL TERMINATION

1 1/2"=1'-0"



**GAWRON TURGEON ARCHITECTS**  
 29 Black Point Road  
 Scarborough, ME 04074  
 www.gawronturgeon.com  
 Tel. 207. 883. 6307  
 Fax. 207. 883. 0361

**KeyBank**  
 Office Renovation  
 One Canal Plaza



REVISIONS		
#	DATE	DESCRIPTION

REVISIONS		
#	DATE	DESCRIPTION
1	08.29.07	PROCESS RELEASE - RJC CONSULTING
2	10.29.07	PRICING SET RELEASE

DATE:	10.22.07
PROJECT #	020807
DRAWN BY:	LAP
CHECKED BY:	MET
DRAWING SCALE	AS NOTED

**SHEET TITLE**  
 CANAL PLAZA  
 INTERIOR DETAILS

**A931**

© COPYRIGHT 1985-2006  
 REPRODUCTION OR ABUSE OF THIS  
 DOCUMENT WITHOUT WRITTEN  
 PERMISSION OF GAWRON TURGEON  
 ARCHITECTS IS PROHIBITED