

**GAWRON
TURGEON
ARCHITECTS**
29 Black Point Road
Scarborough, ME 04074
www.gawronturgeon.com
Tel. 207 . 883 . 6307
Fax. 207 . 883 . 0361

KeyBank
Office Renovation
One Canal Plaza



REVISIONS

#	DATE	DESCRIPTION

REVISIONS

#	DATE	DESCRIPTION
1	08.29.07	PROGRESS RELEASE - RJC CONSULTING
2	10.29.07	PRICING SET RELEASE

DATE: 10.22.07

PROJECT #: 020807

DRAWN BY: LAP

CHECKED BY: MET

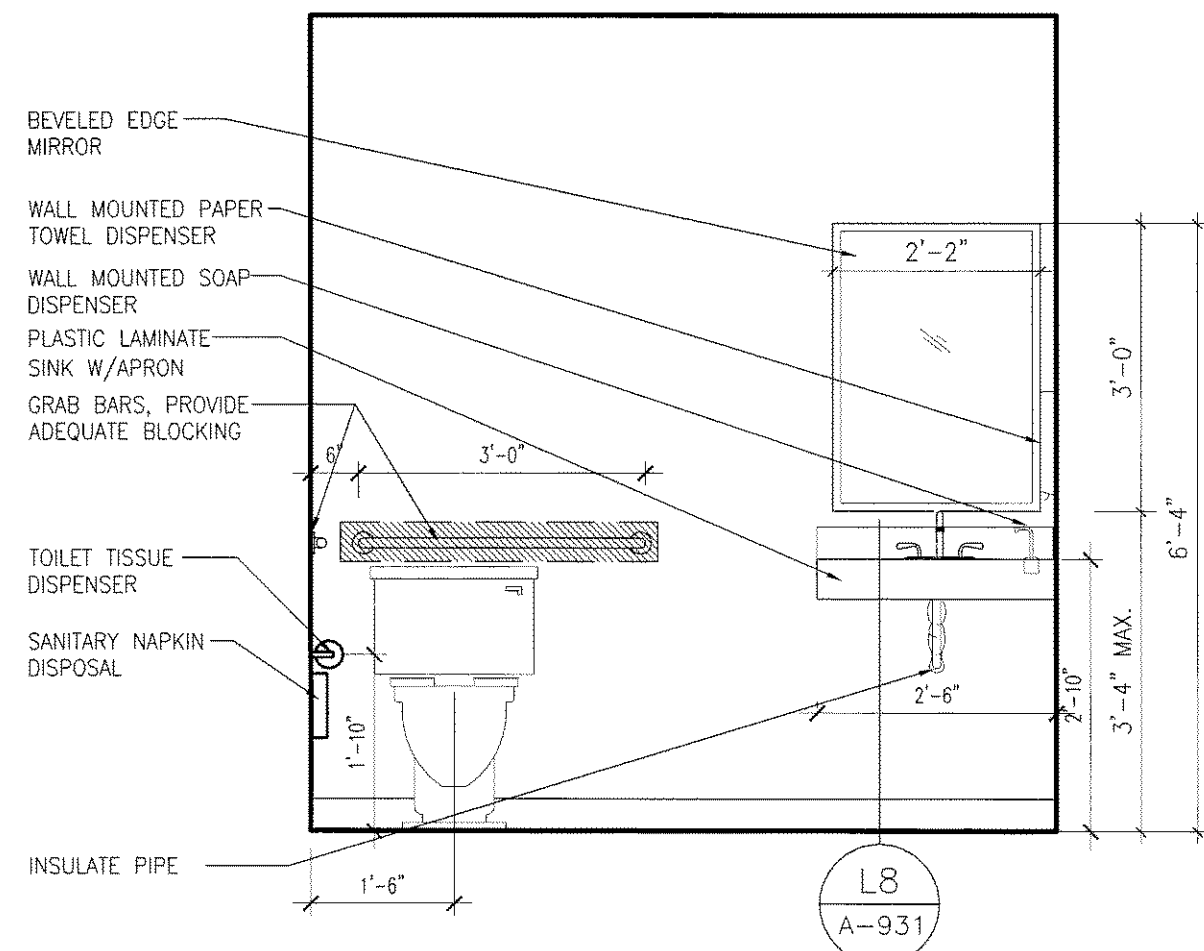
DRAWING SCALE: AS NOTED

SHEET TITLE

CANAL PLAZA
INTERIOR ELEVATIONS

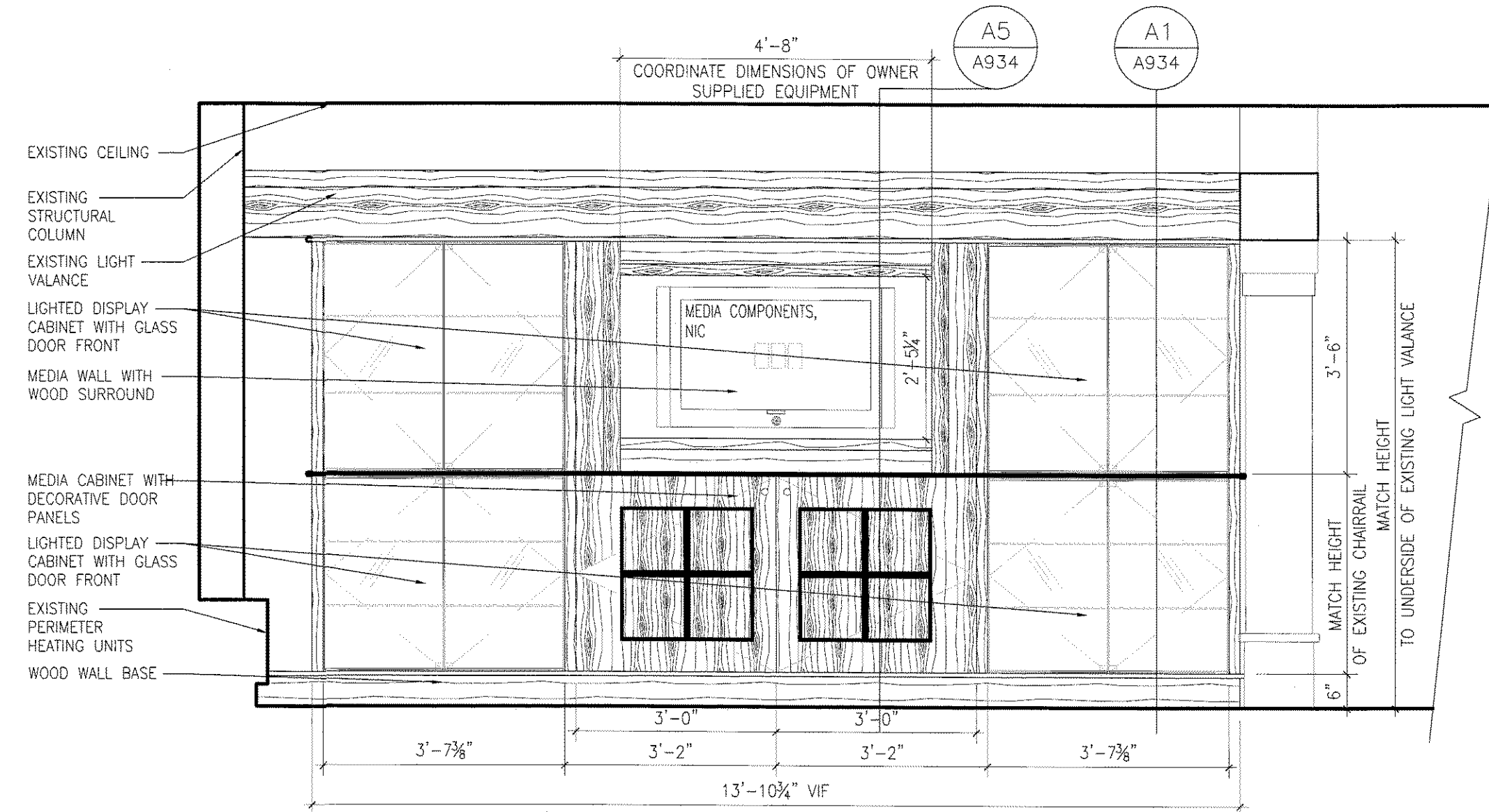
A924

© COPYRIGHT 1985-2006
REPRODUCTION OR RESALE OF THIS
DOCUMENT WITHOUT WRITTEN
PERMISSION OF GAWRON TURGEON
ARCHITECTS IS PROHIBITED



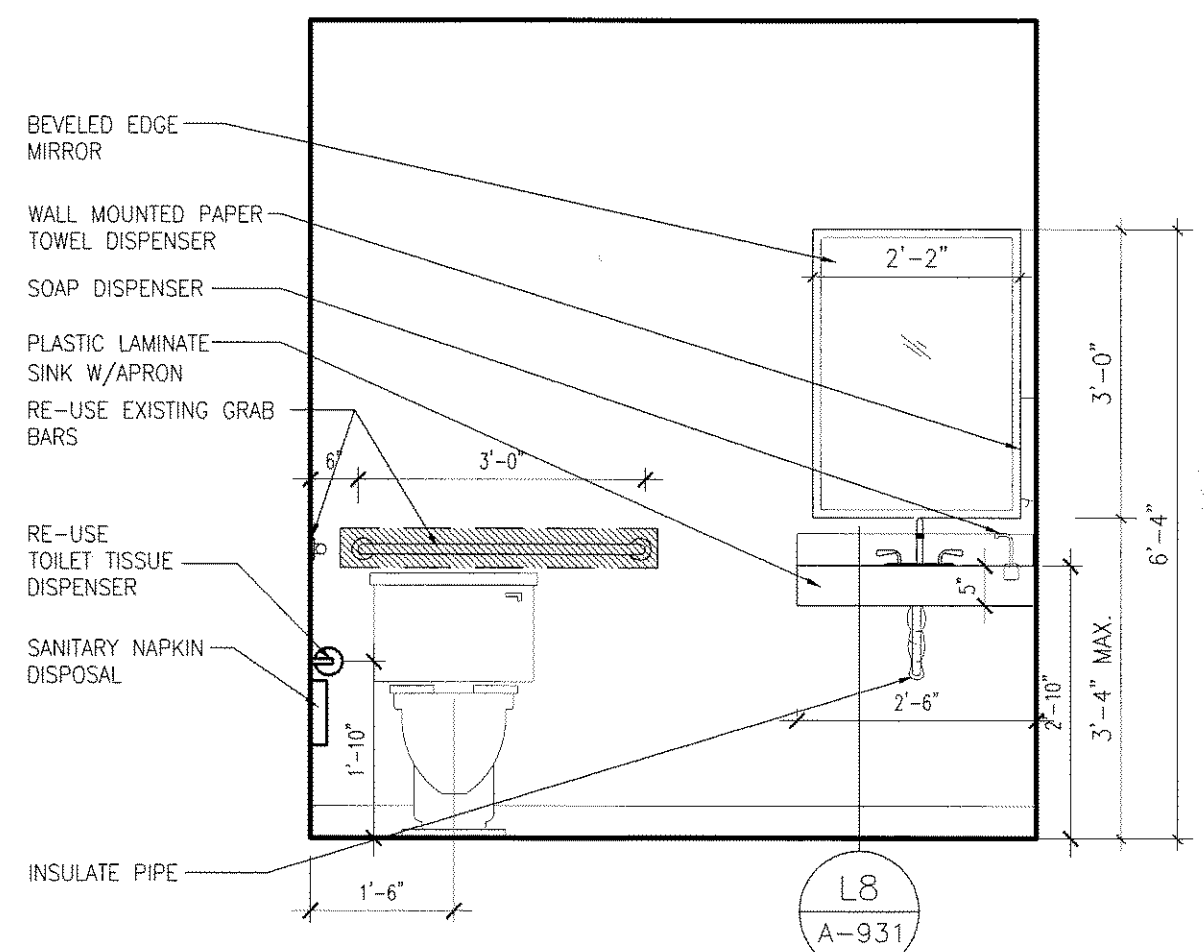
F1 TOILET 424

1/2"=1'-0" CANAL PLAZA, FOURTH FLOOR



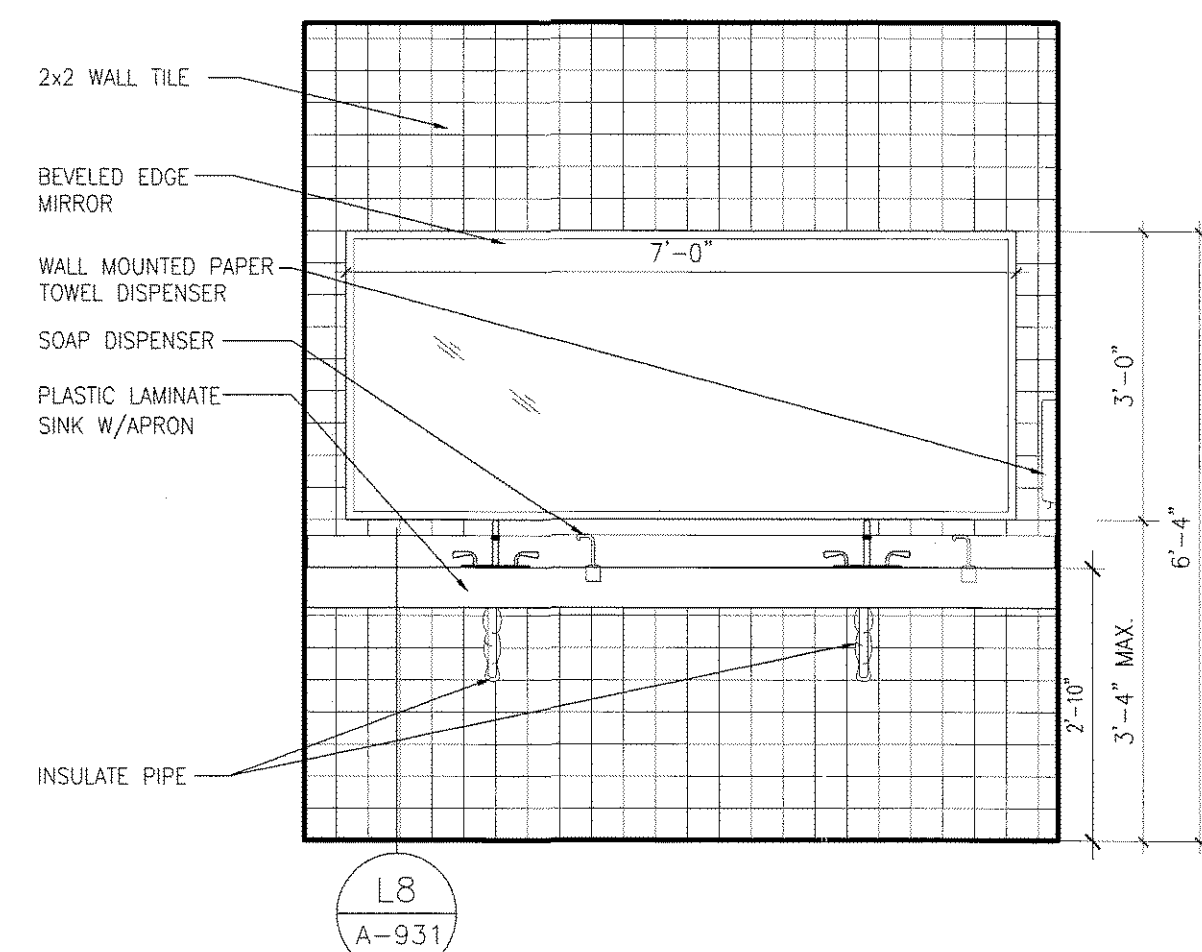
F6 WAITING 704 - MEDIA / DISPLAY WALL

1/2"=1'-0" CANAL PLAZA, SEVENTH FLOOR



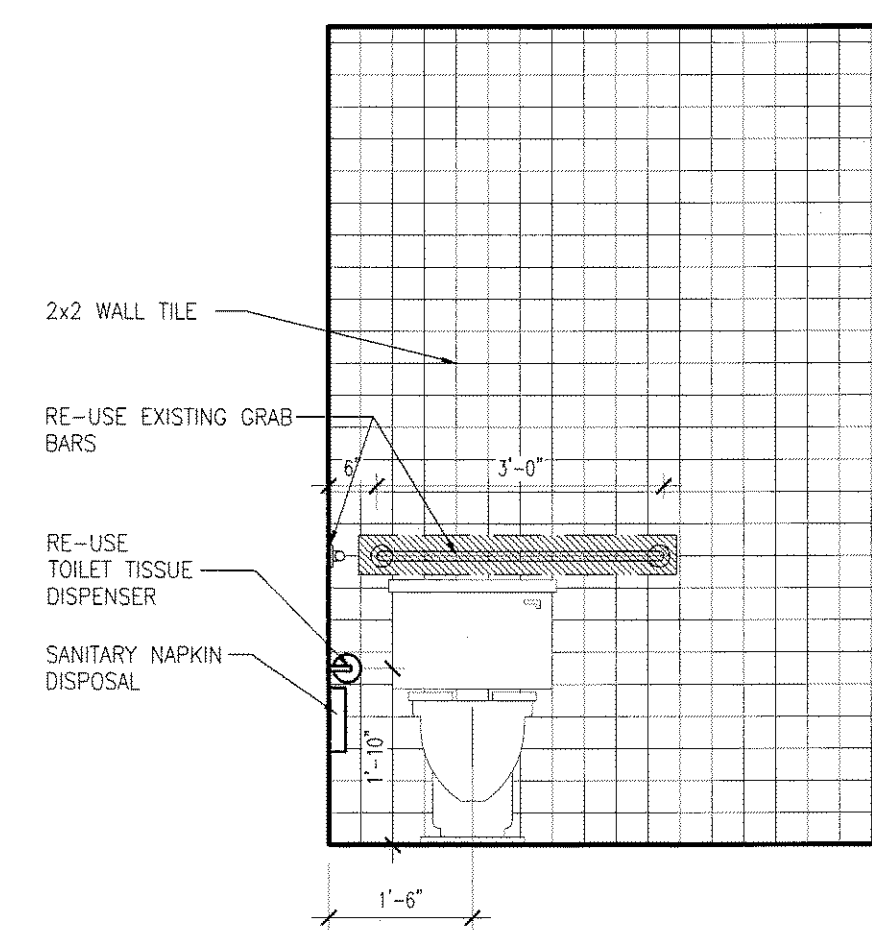
A1 TOILET ROOM 216 - ADA

1/2"=1'-0" CANAL PLAZA, SECOND FLOOR



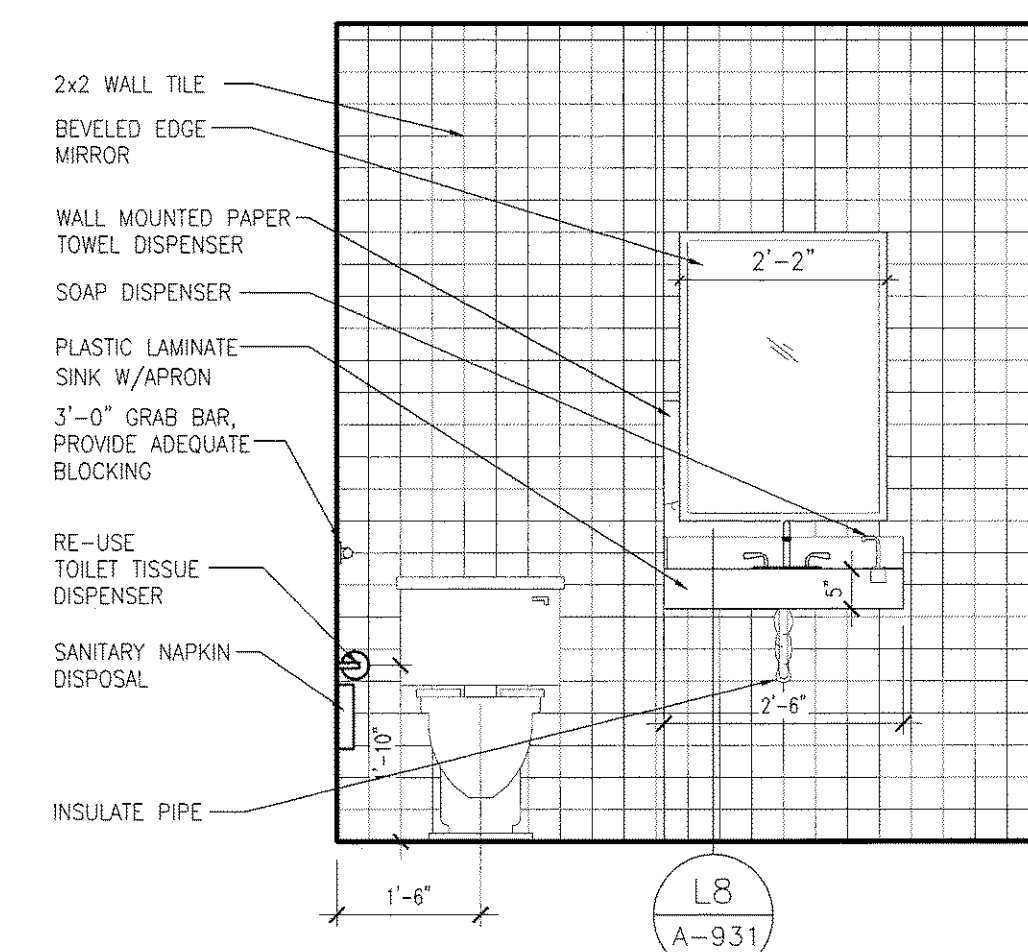
A6 WOMENS ROOM 228

1/2"=1'-0" CANAL PLAZA, SECOND FLOOR



A11 WOMENS ROOM 228

1/2"=1'-0" CANAL PLAZA, SECOND FLOOR



A15 TOILET 235 - TOILET 236 SIMILAR

1/2"=1'-0" CANAL PLAZA, SECOND FLOOR