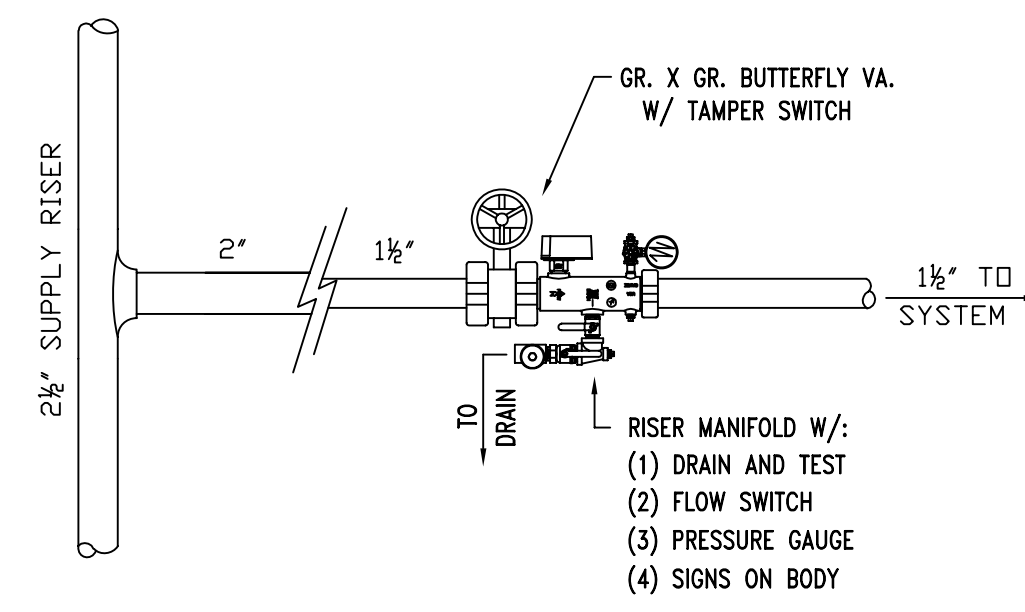
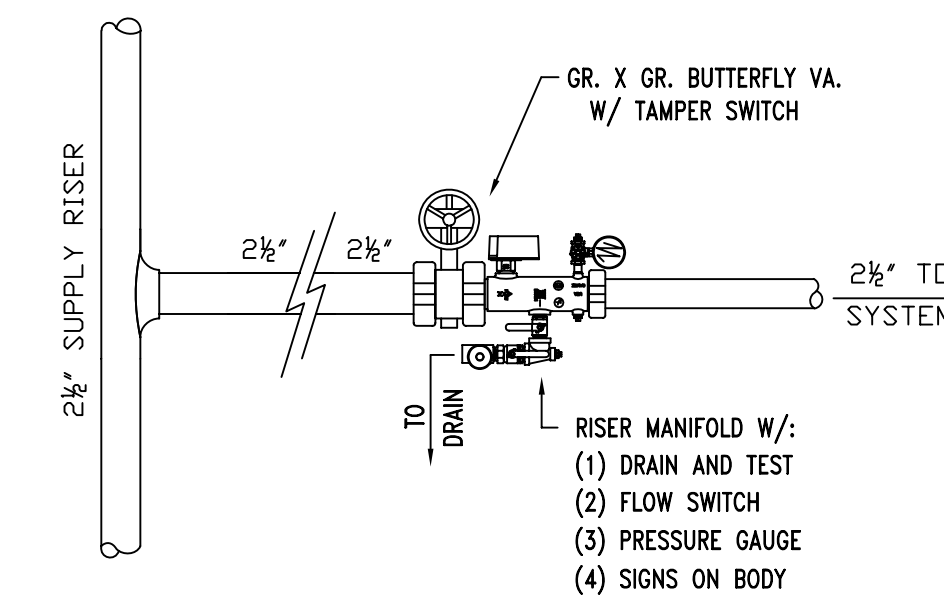


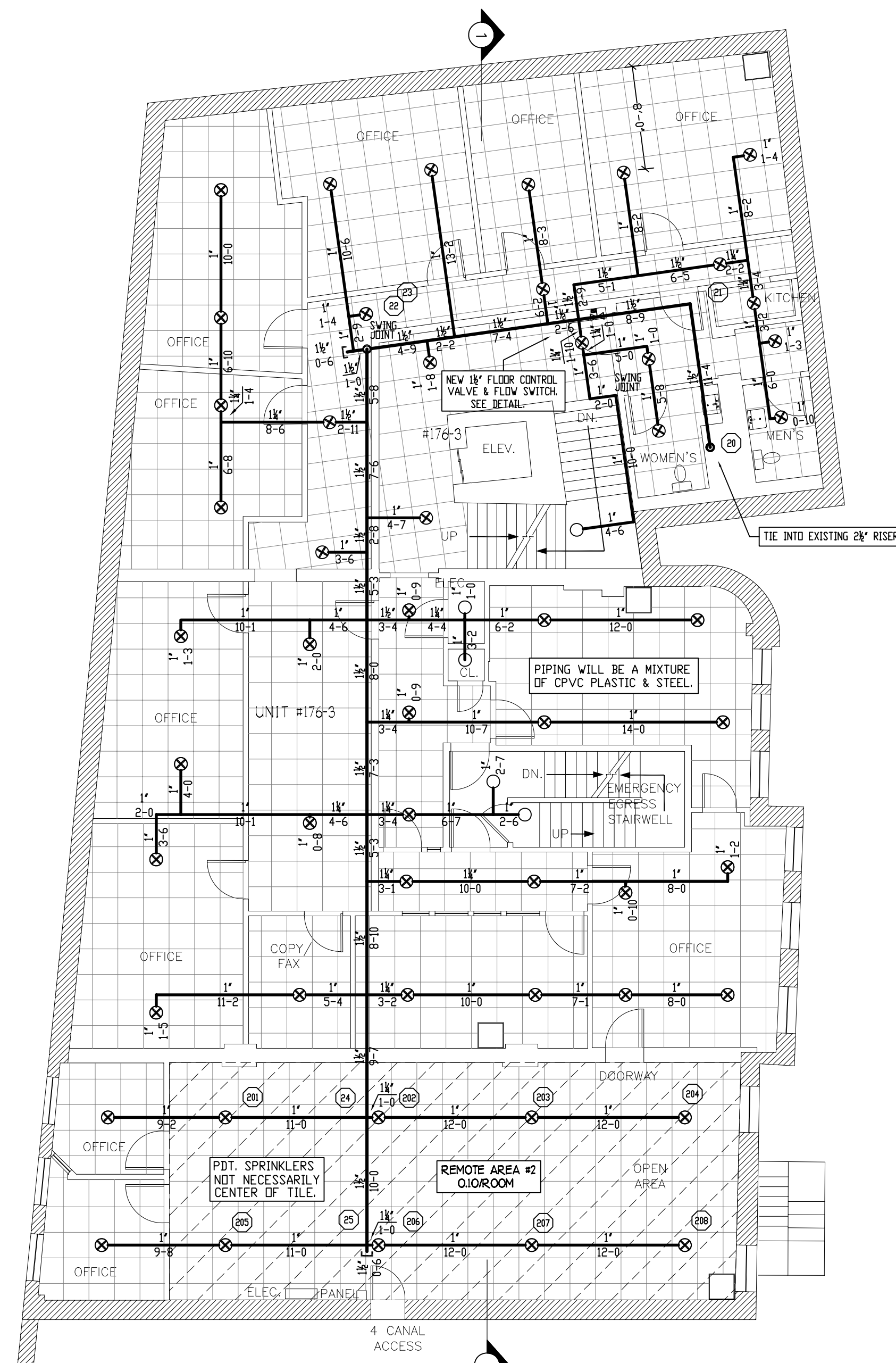
3RD FLOOR CONTROL VALVE



4TH FLOOR CONTROL VALVE



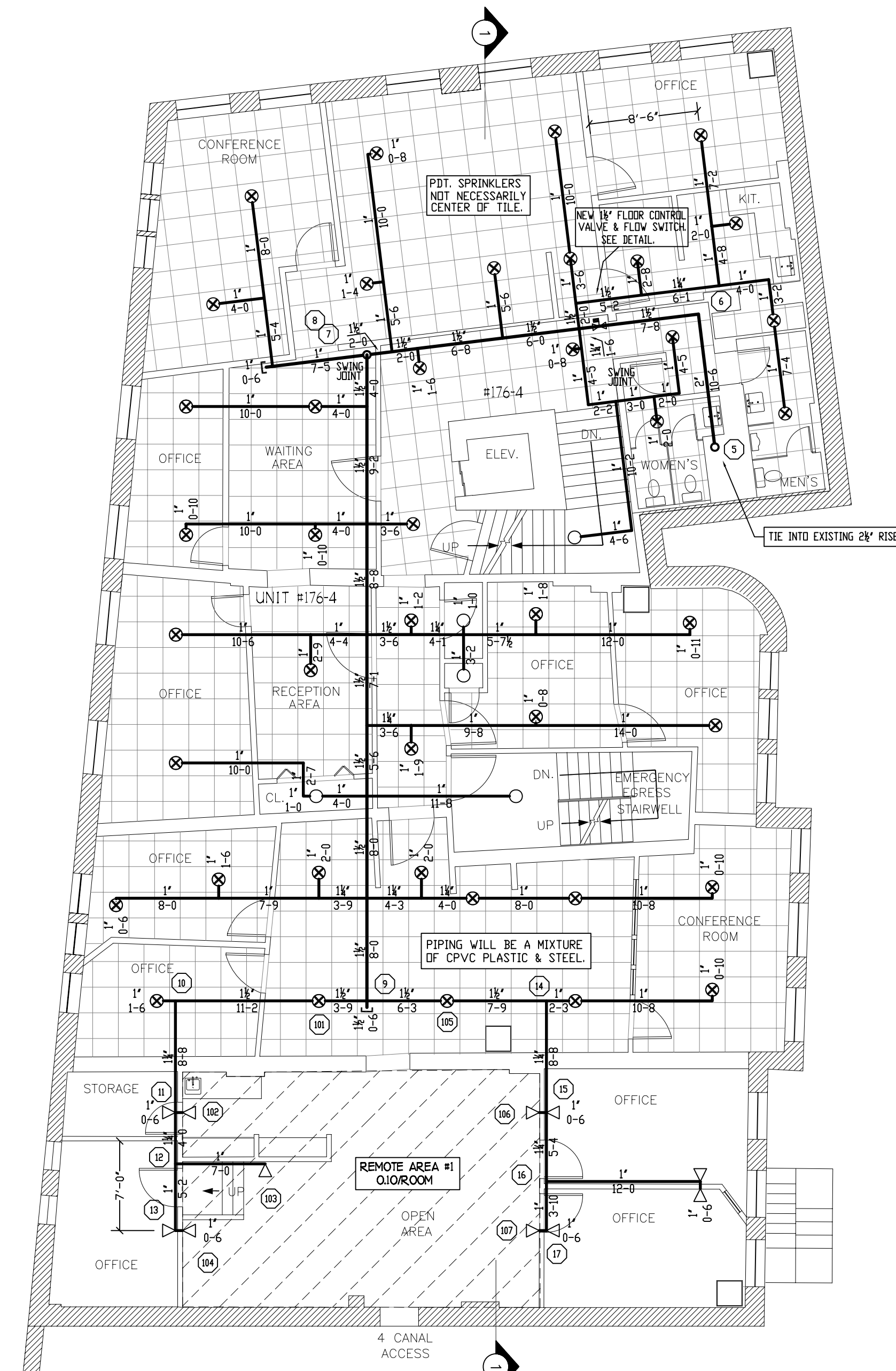
5TH FLOOR CONTROL VALVE



THIRD FLOOR FIRE PROTECTION

SCALE 1/8"=1'-0"
 QUANTITY ○ = 54
 QUANTITY ○ = 59

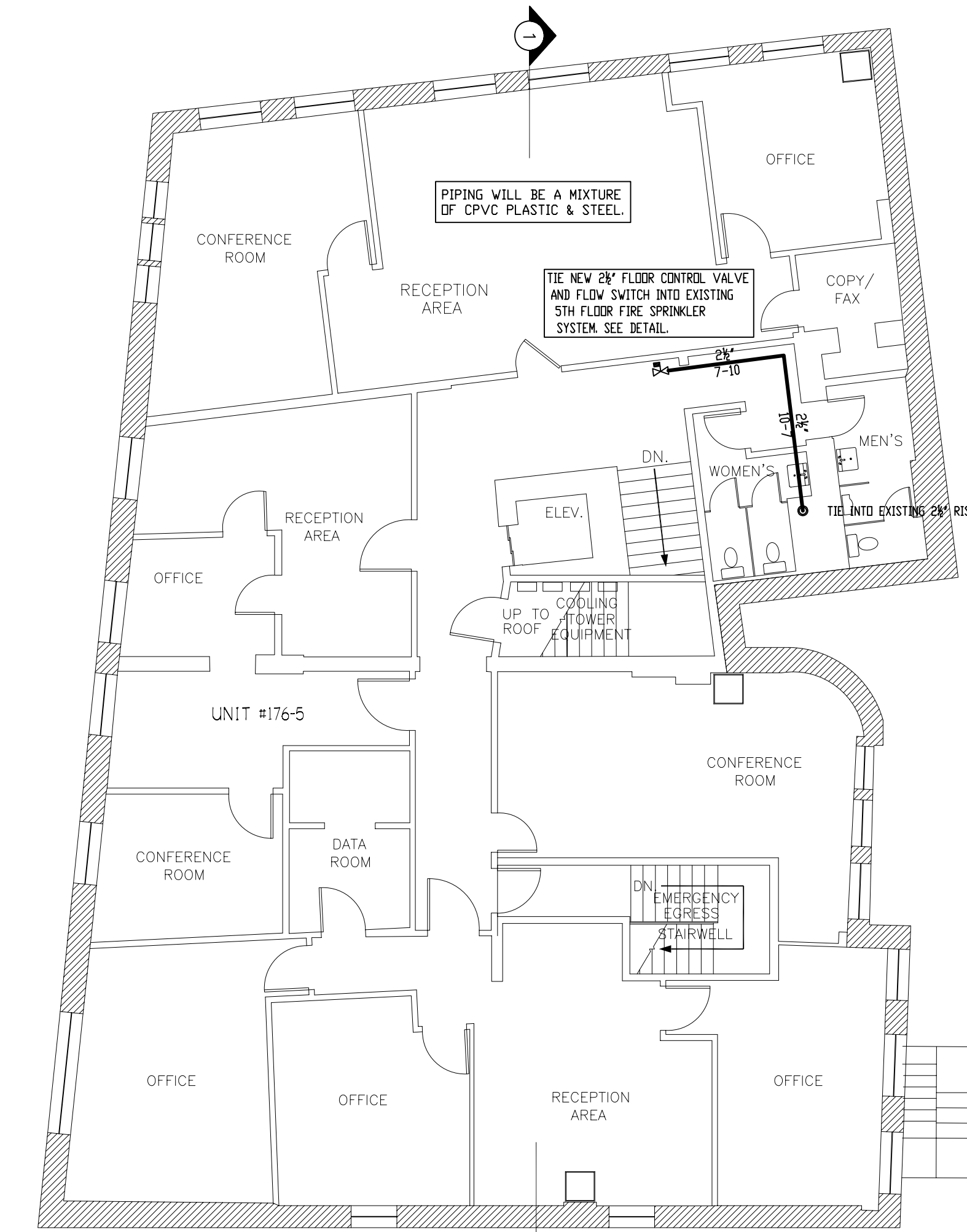
| HYDRAULIC DESIGN DATA | |
|------------------------------------|----------|
| System # & Area | #1 - #2 |
| No. of Sprinklers | 8 |
| Density | 0.10 GPM |
| Designed Area | ROOM |
| Hose Allowance | 100 GPM |
| Water Flow Rate | 247 GPM |
| Residual Pressure at Base of Riser | 71 PSI |
| Safety Factor at Base of Riser | 8.37 PSI |



FOURTH FLOOR FIRE PROTECTION

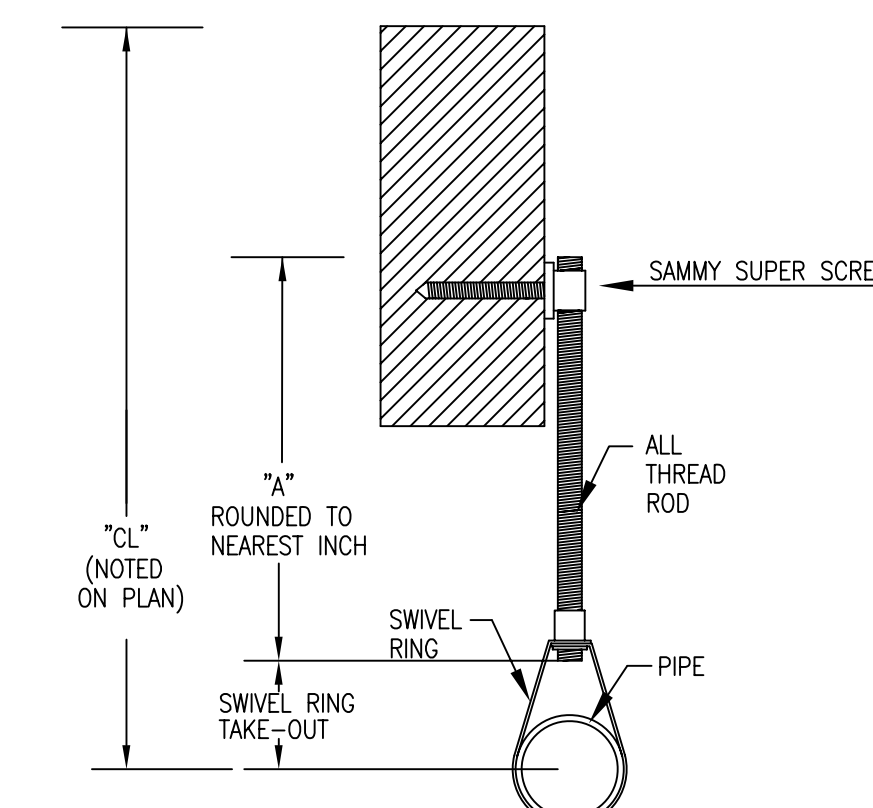
SCALE 1/8"=1'-0"
 QUANTITY ○ = 30
 QUANTITY ○ = 47

| HYDRAULIC DESIGN DATA | |
|------------------------------------|----------|
| System # & Area | #1 - #1 |
| No. of Sprinklers | 7 |
| Density | 0.10 GPM |
| Designed Area | ROOM |
| Hose Allowance | 100 GPM |
| Water Flow Rate | 219 GPM |
| Residual Pressure at Base of Riser | 73 PSI |
| Safety Factor at Base of Riser | 7.36 PSI |



FIFTH FLOOR FIRE PROTECTION

SCALE 1/8"=1'-0"



TYPE #10 HANGER

| REVISIONS | NOTES |
|-----------|--|
| | K=56 UPRIGHT & PENDANT SPRINKLER COVERAGE: 15'X15' |

| SPRINKLER TYPE | IDENTIFICATION NO. | MFG. | ESC. | MODEL | FINISH | ORIFICE | TEMP. | SYMBOL | QUANT. |
|-------------------------------|--------------------|------|------|--------|--------|---------|-------|--------|--------|
| QUICK RESP. PENDANT K=5.6 | TY3231 | TYCO | N/A | TY-FRB | WHITE | 1/2" | 155° | ○ | 84 |
| QUICK RESP. UPRIGHT K=5.6 | TY3131 | TYCO | N/A | TY-FRB | BRASS | 1/2" | 155° | ○ | 106 |
| QUICK RESP. SIDEWALL K=5.6 | TY 3331 | TYCO | N/A | TY-FRB | WHITE | 1/2" | 155° | △ | 11 |
| TOTAL SPRINKLERS THIS DRAWING | | | | | | | | | 201 |

| STANDARD SYMBOLS | | STANDARD SYMBOLS | |
|------------------|-----------------------|------------------|-----------------------------|
| ○ | POST INDICATOR VALVE | ○ | ALARM CHECK VALVE |
| ◇ | KEY VALVE | ◇ | RISER W/ALARM VALVE |
| △ | FIRE HYDRANT | △ | RISER W/DRY VALVE |
| □ | FIRE DEPT. CONNECTION | □ | RISER W/ELEC. FLOW SWITCH |
| ○ | O.S. & Y GATE VALVE | ○ | RISER W/DELUGE VALVE |
| ○ | SWING CHECK VALVE | ○ | WATER MOTOR BELL |
| ○ | NEW UNDERGROUND | ○ | ELECTRIC BELL |
| ○ | EXIST UNDERGROUND | ○ | FLUSH FIRE DEPT. CONNECTION |

| INSPECTIONS | |
|-------------|--|
| 1. | |
| 2. | |
| 3. | |
| 4. | |
| 5. | |

178 MIDDLE STREET
 PORTLAND, MAINE 04101

FIRE PROTECTION PLAN

FREEDOM FIRE PROTECTION, INC.
 209 QUAKER RIDGE ROAD
 CASCO, MAINE 04015

JOB No. M0103
 DATE 1/7/13
 DRAWN BY M.J.N.
 SCALE AS NOTED
 SHEET No. FP-3 of 3