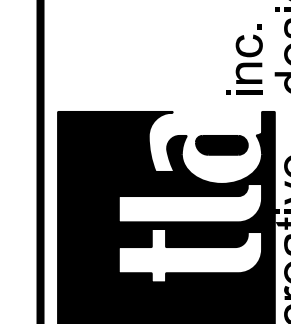


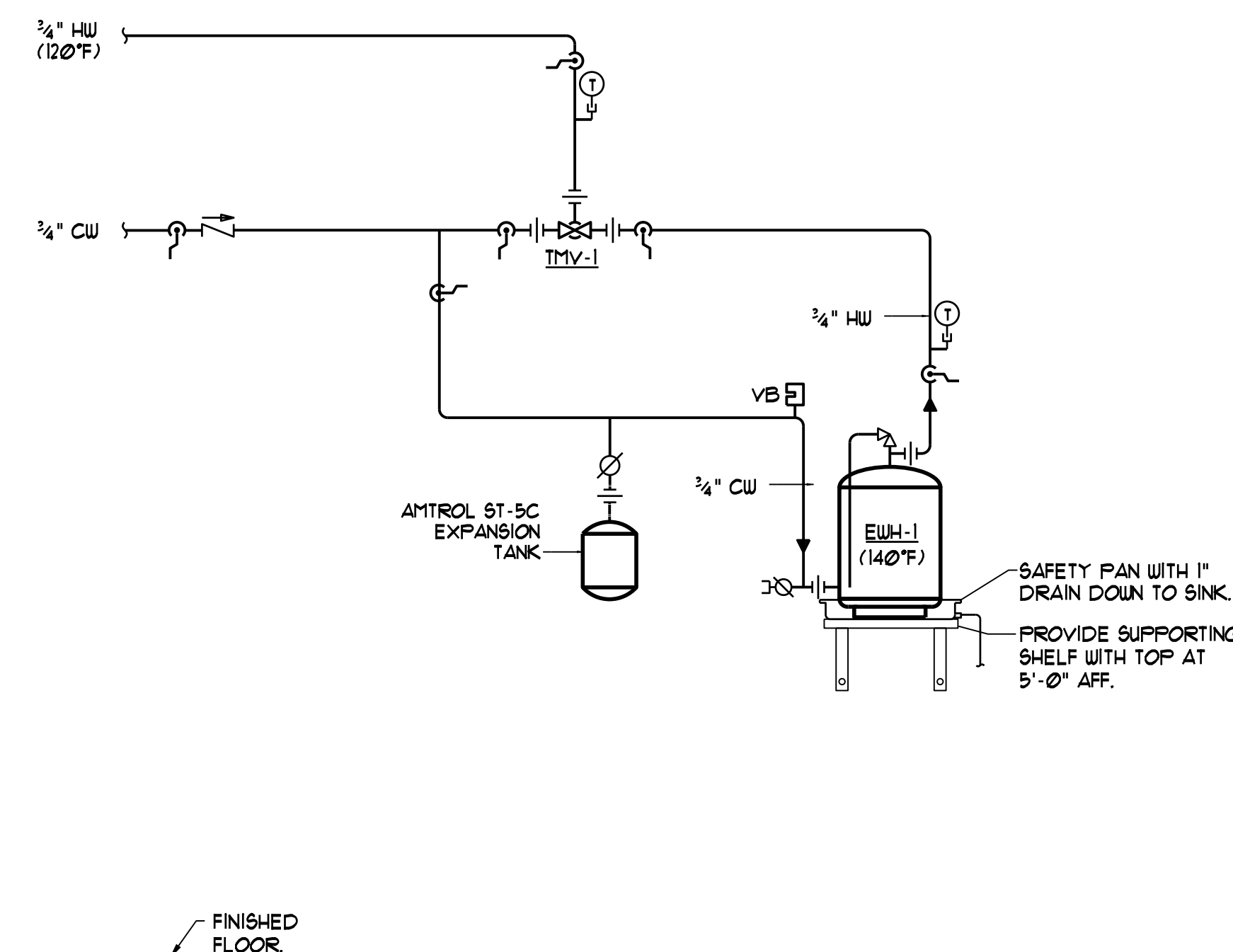
400 US Route One, Suite A South
Falmouth, ME 04105
Tel: (207) 842-6260
Fax: (207) 842-6271
1 (800) 232-2253



Rev. No.	Date	Description	Drawn by: JFD

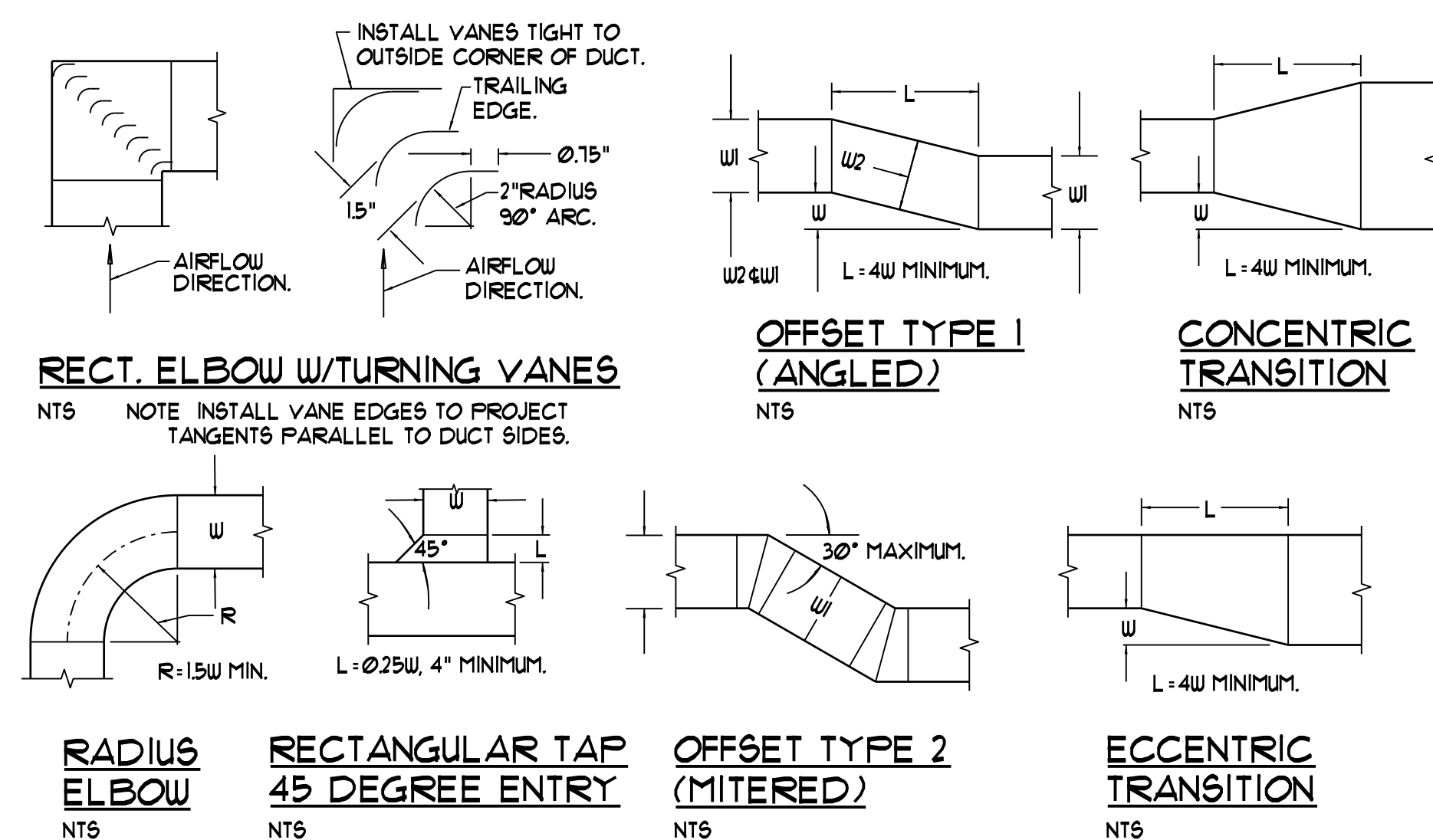
Machias Savings Bank
193 Middle Street, Portland, Maine
Mechanical Details

M3	sheet number	16
	issued: 6-24-16	
	project no.	



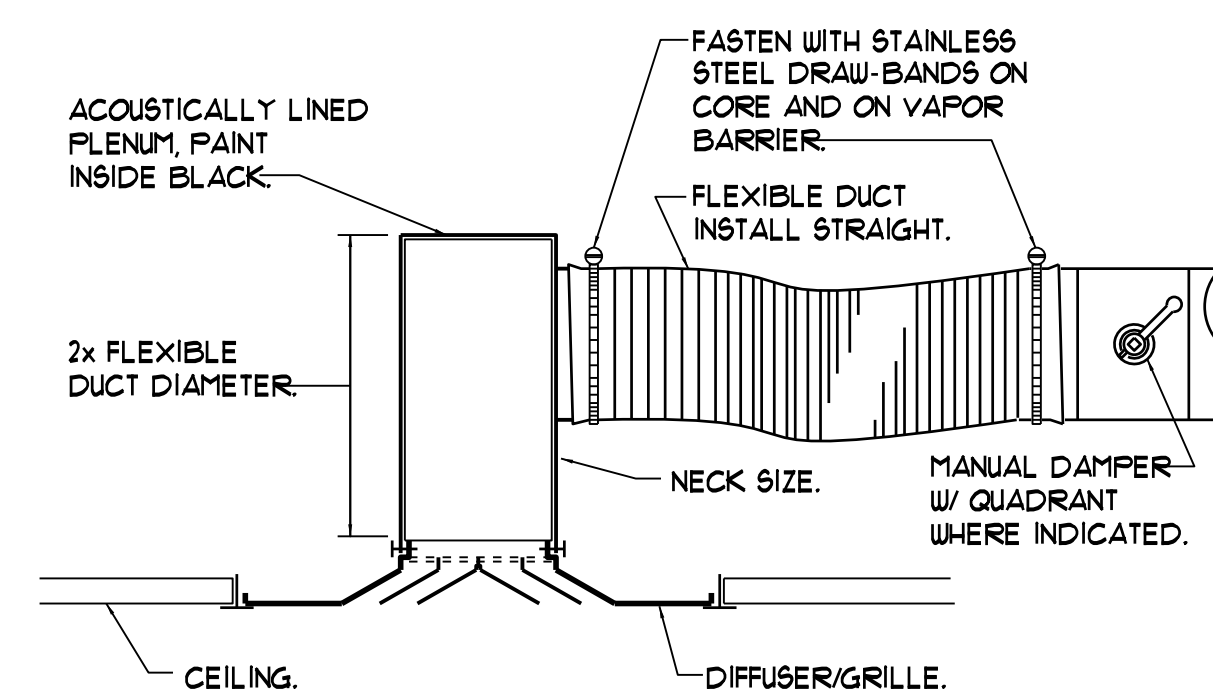
DOMESTIC HOT WATER PIPING SCHEMATIC

NTS



LOW PRESSURE DUCT CONSTRUCTION DETAILS - TYPICAL

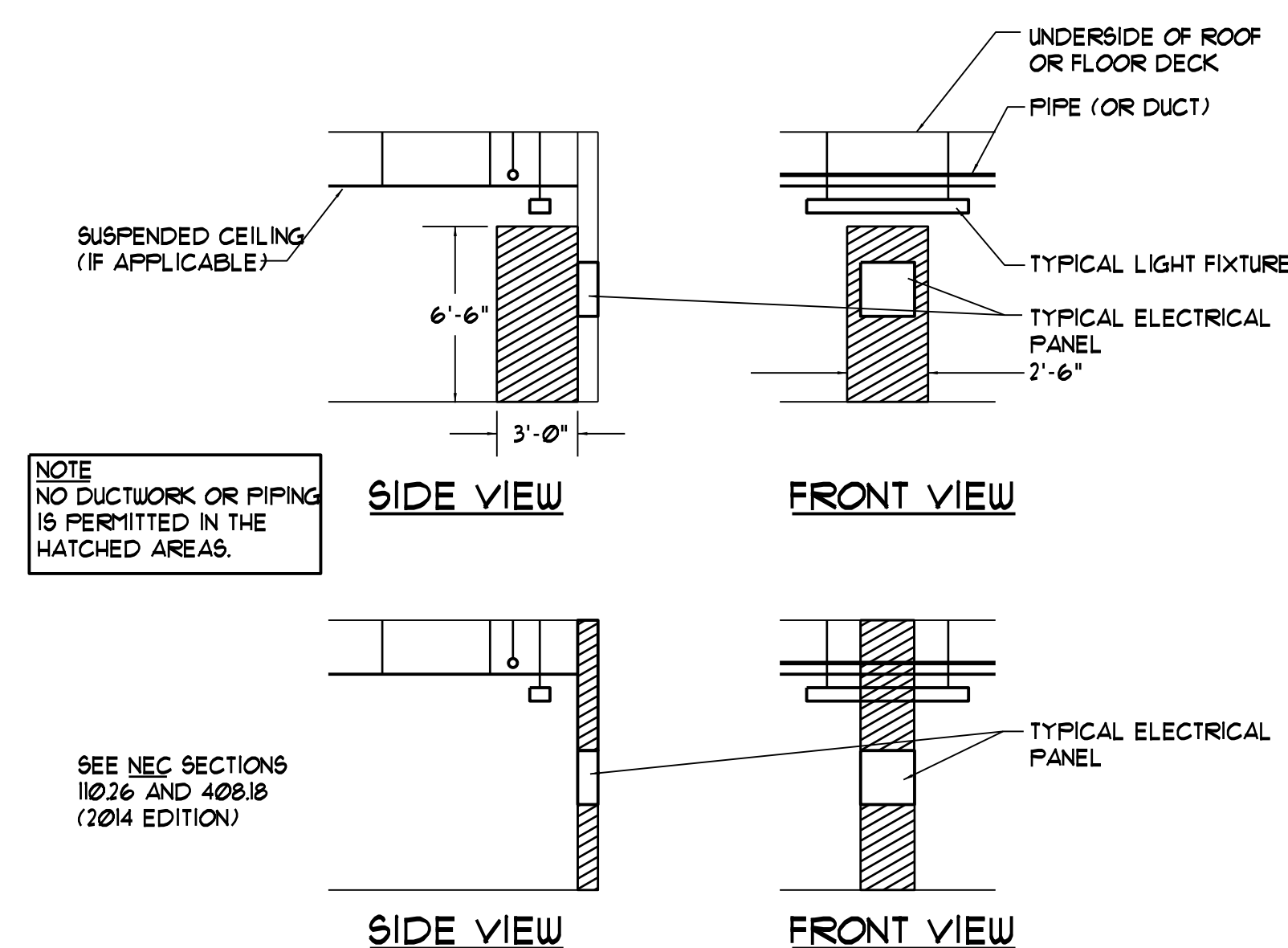
NTS



DIFFUSER/RETURN CONNECTION DETAIL

NTS

NOTE: DETAIL TYPICAL FOR CEILING GRILLES, REGISTERS AND LINEAR DIFFUSERS. FOR SURFACE-MOUNT DEVICES, SUPPORT PLENUM FROM CEILING GRID WITH STEEL ANGLES FASTENED TO PLENUM.



NOTE: NO DUCTWORK OR PIPING IS PERMITTED IN THE HATCHED AREAS.

SEE NEC SECTIONS 110.26 AND 400.18 (2014 EDITION)

CLEARANCES AT ELECTRICAL PANELS

NTS