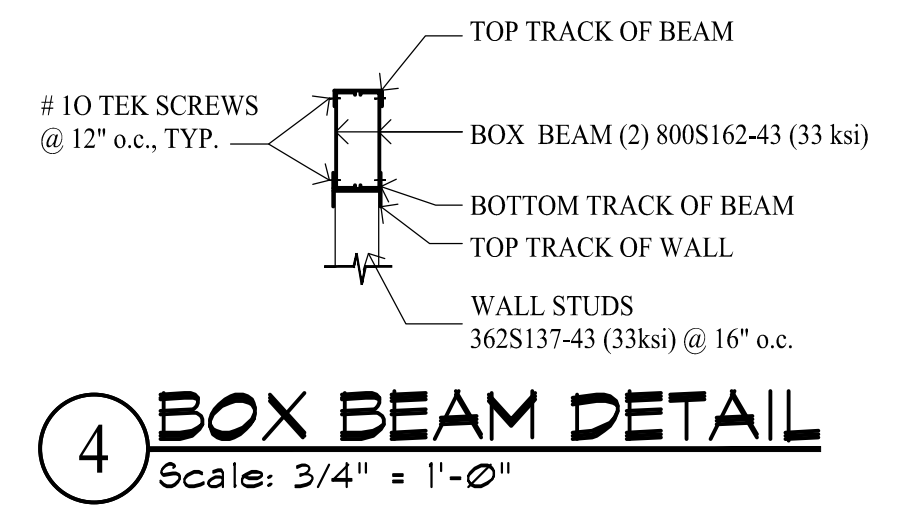
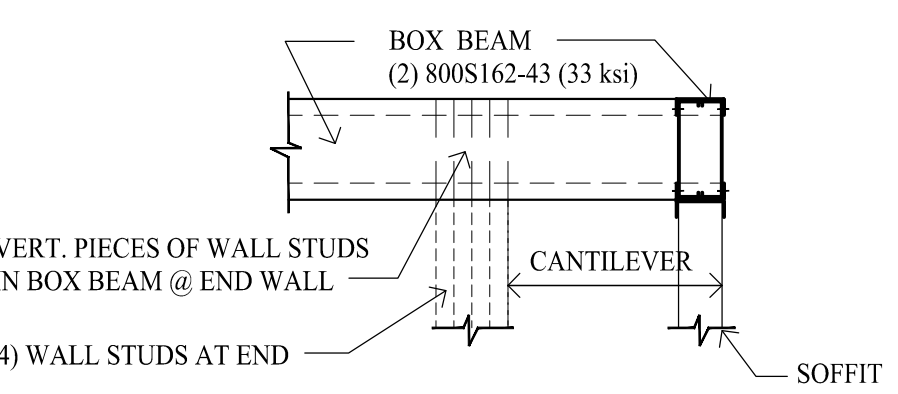


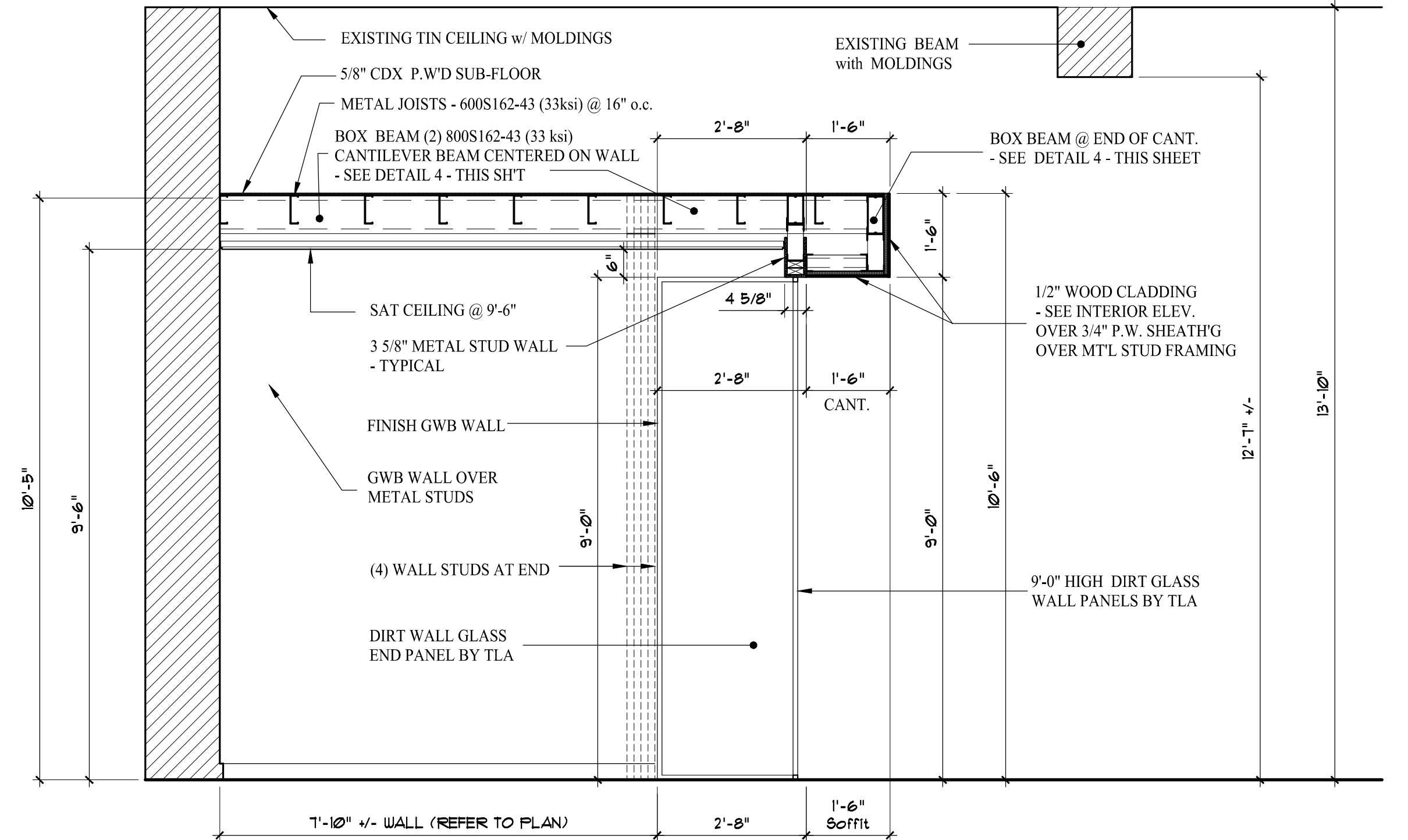
3 Second Floor Plan - 1/4"
Scale: 1/4" = 1'-0"



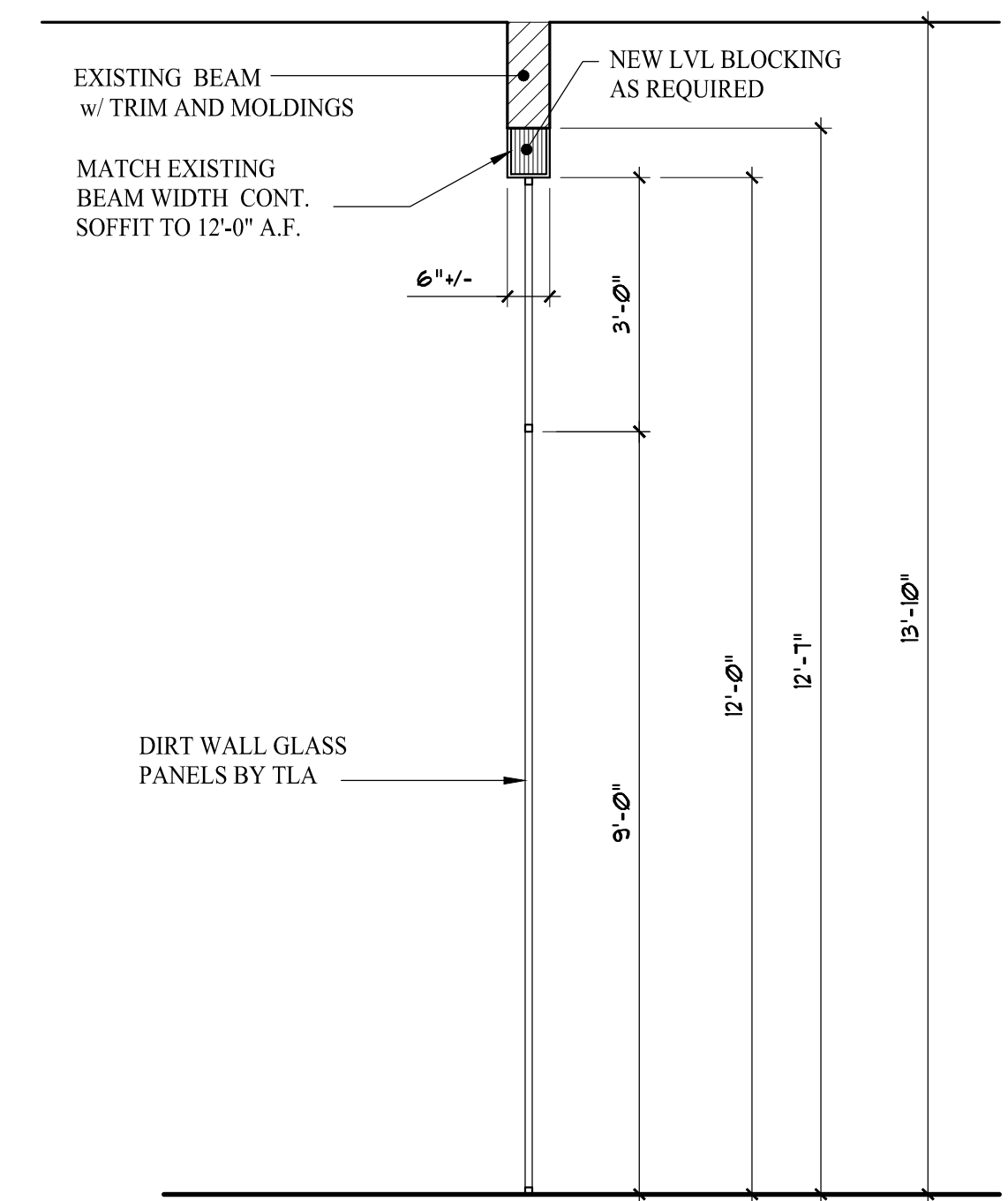
4 BOX BEAM DETAIL
Scale: 3/4" = 1'-0"



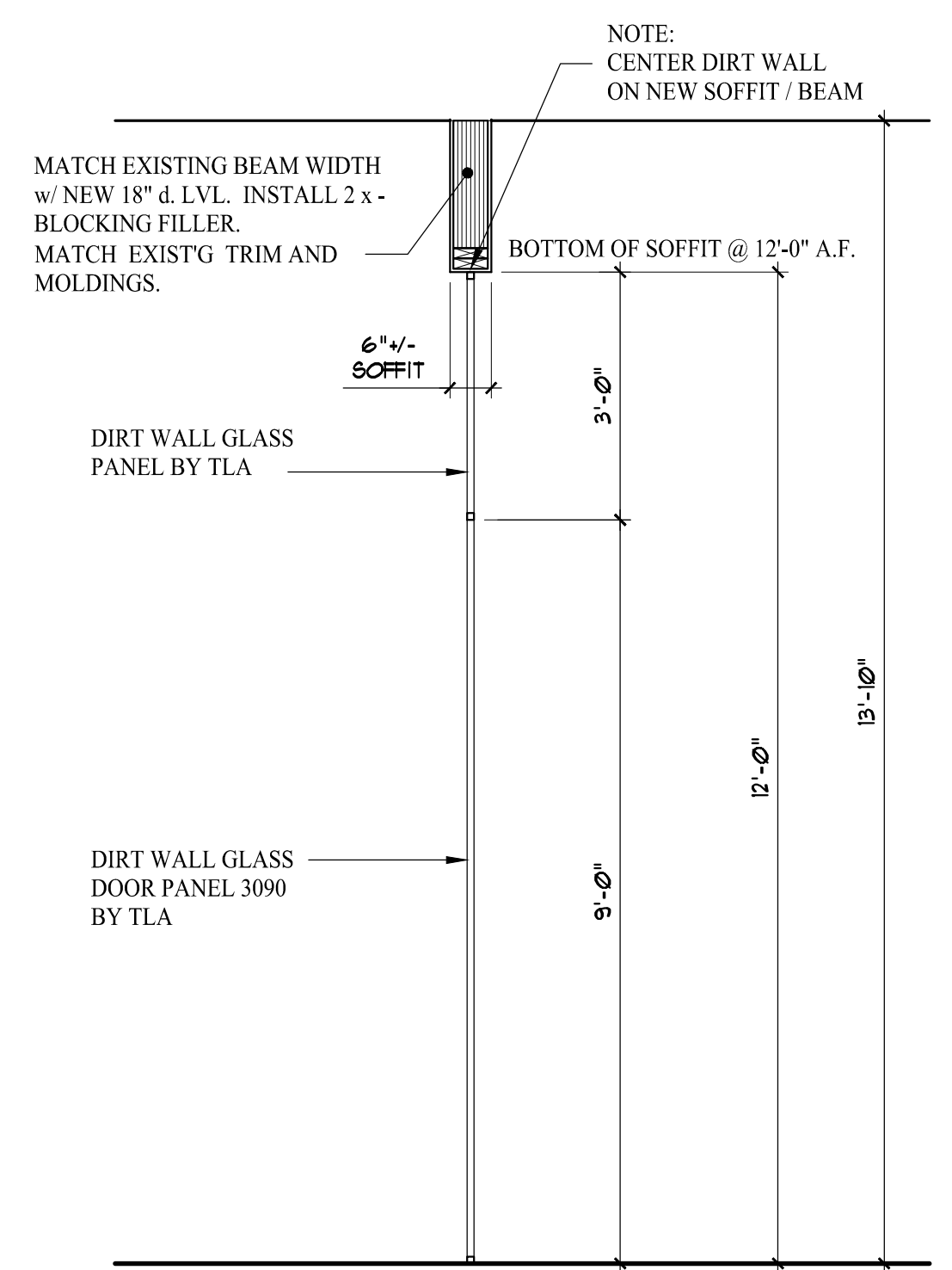
5 WALL DETAIL
Scale: 3/4" = 1'-0"



1 SECTION - THRU OFFICE
Scale: 1/2" = 1'-0"

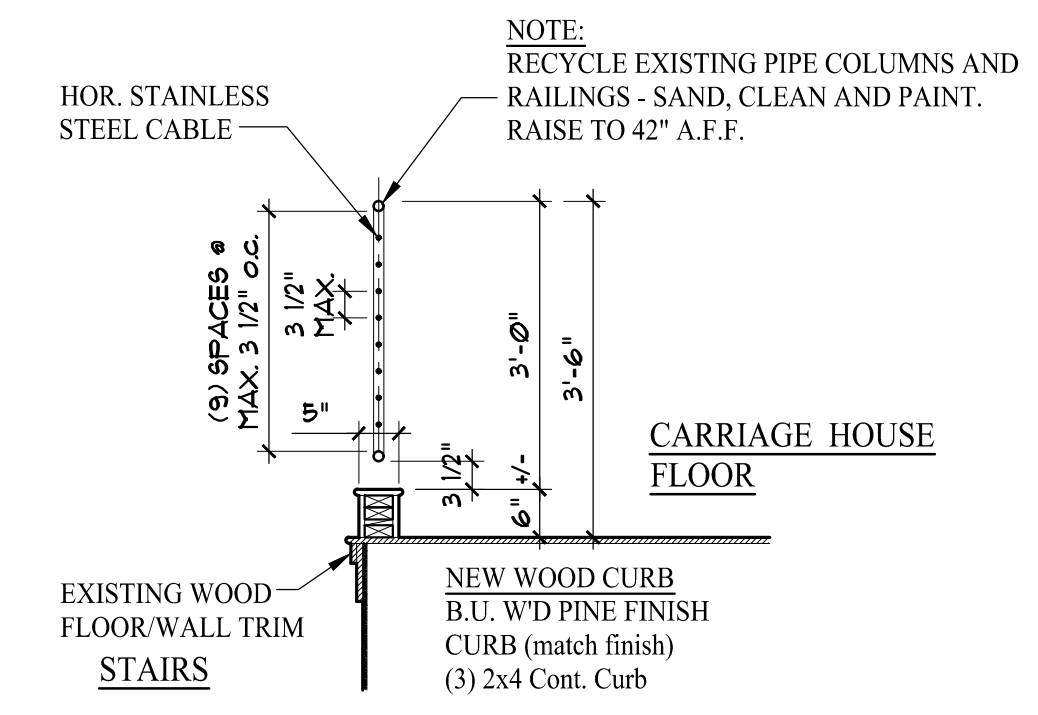


2 WALL SECTION @ VESTIBULE
Scale: 1/2" = 1'-0"

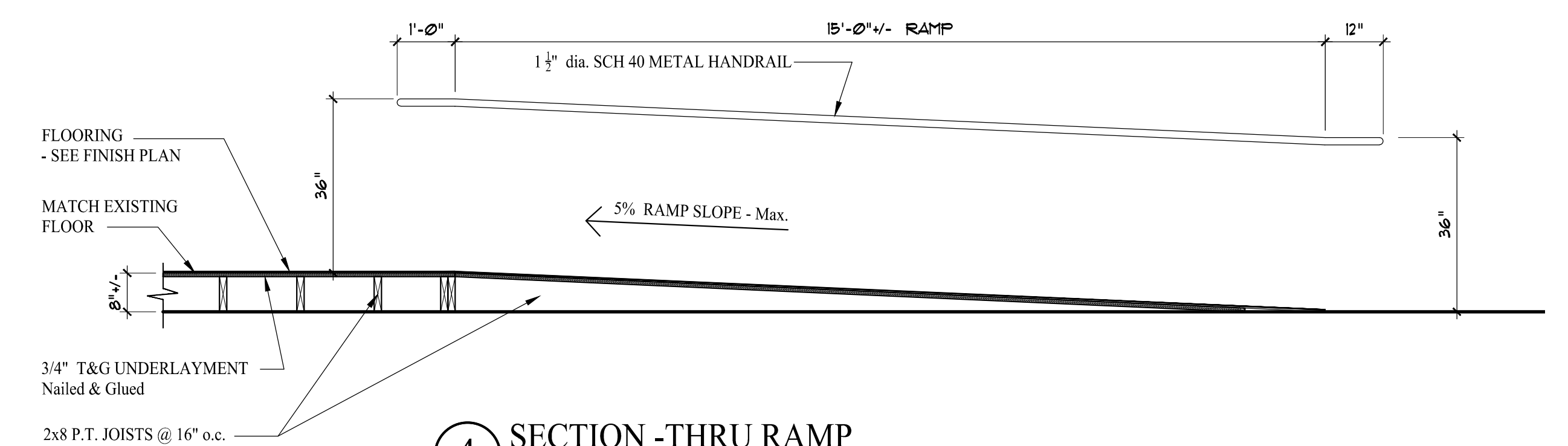


3 DOOR SECTION @ VESTIBULE
Scale: 1/2" = 1'-0"

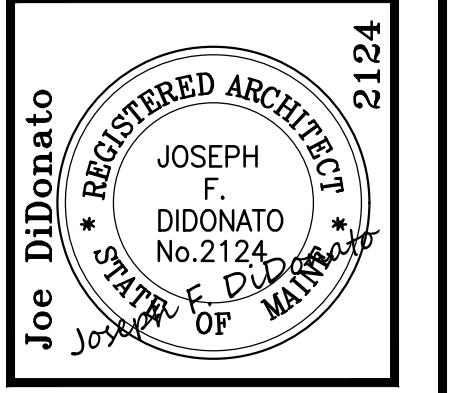
- GUARD RAIL DETAIL:**
- REUSE EXISTING METAL RAILING
 - RAISE RAILING TO 42" AFF.
 - SET RAILING ON WOOD CURB
 - INSTALL METAL CABLE HORIZONTAL BALUSTERS (METAL S.S. CABLE - MAX. 3 1/2" O.C.)



5 SECTION-THRU GUARD RAIL
Scale: 1/2" = 1'-0"



4 SECTION - THRU RAMP
Scale: 1/2" = 1'-0"



400 US Route One, Suite A South
Falmouth, ME 04105
Tel: (207) 842-6260
Fax: (207) 842-6271



Rev. No.	Date	Description	Drawn by: JFD

Construction Set: 06/24/16

Machias Savings Bank
193 Middle Street, Portland, Maine
1/4" SECOND FLOOR PLAN & DETAILS

A2.0
sheet number
issued: 06-24-16
project no. 1601