

80 EXCHANGE STREET
 PORTLAND, MAINE
 OFFICE RENOVATION



CONSULTANTS:

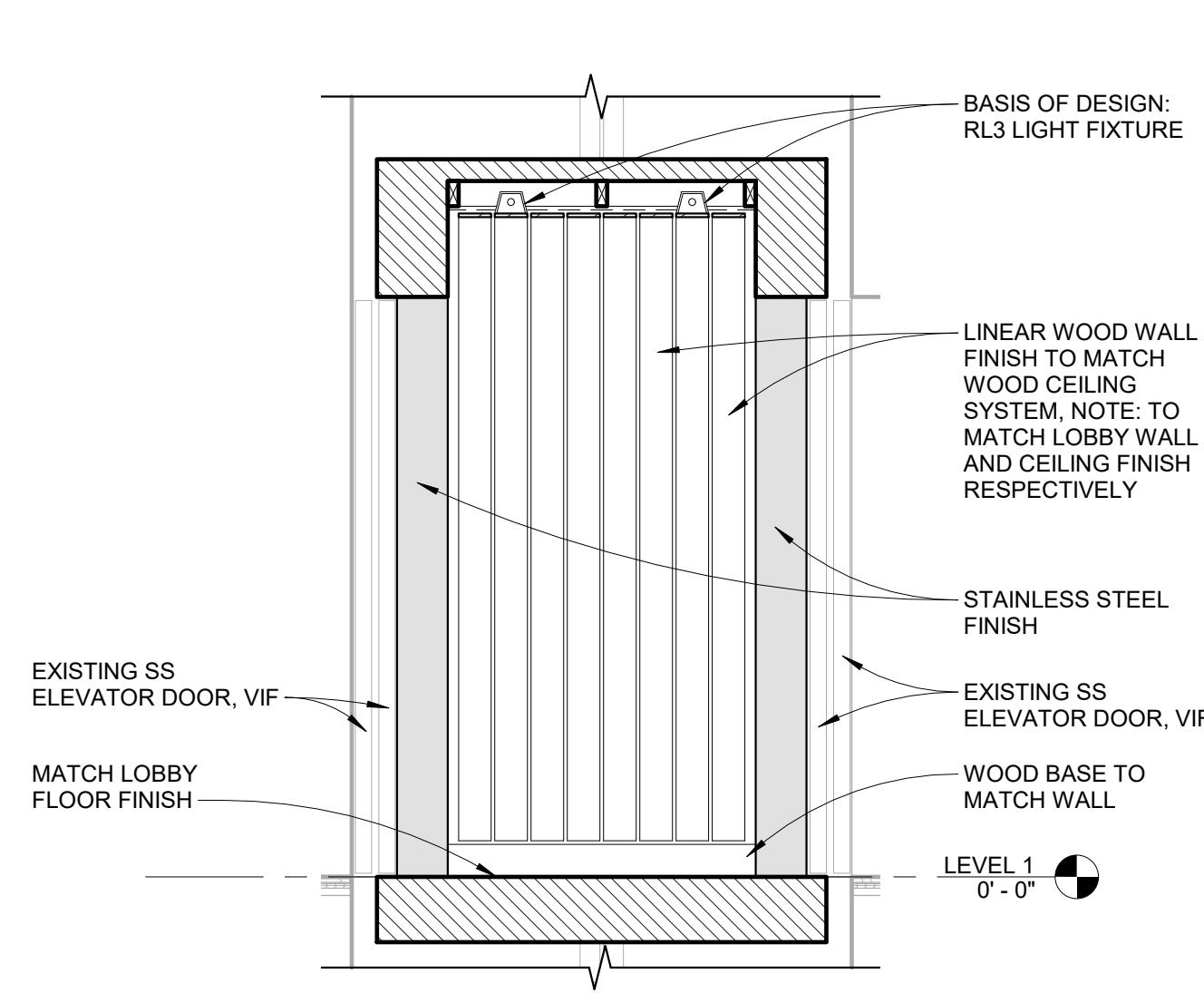
REVISIONS:

No.	Name	Date

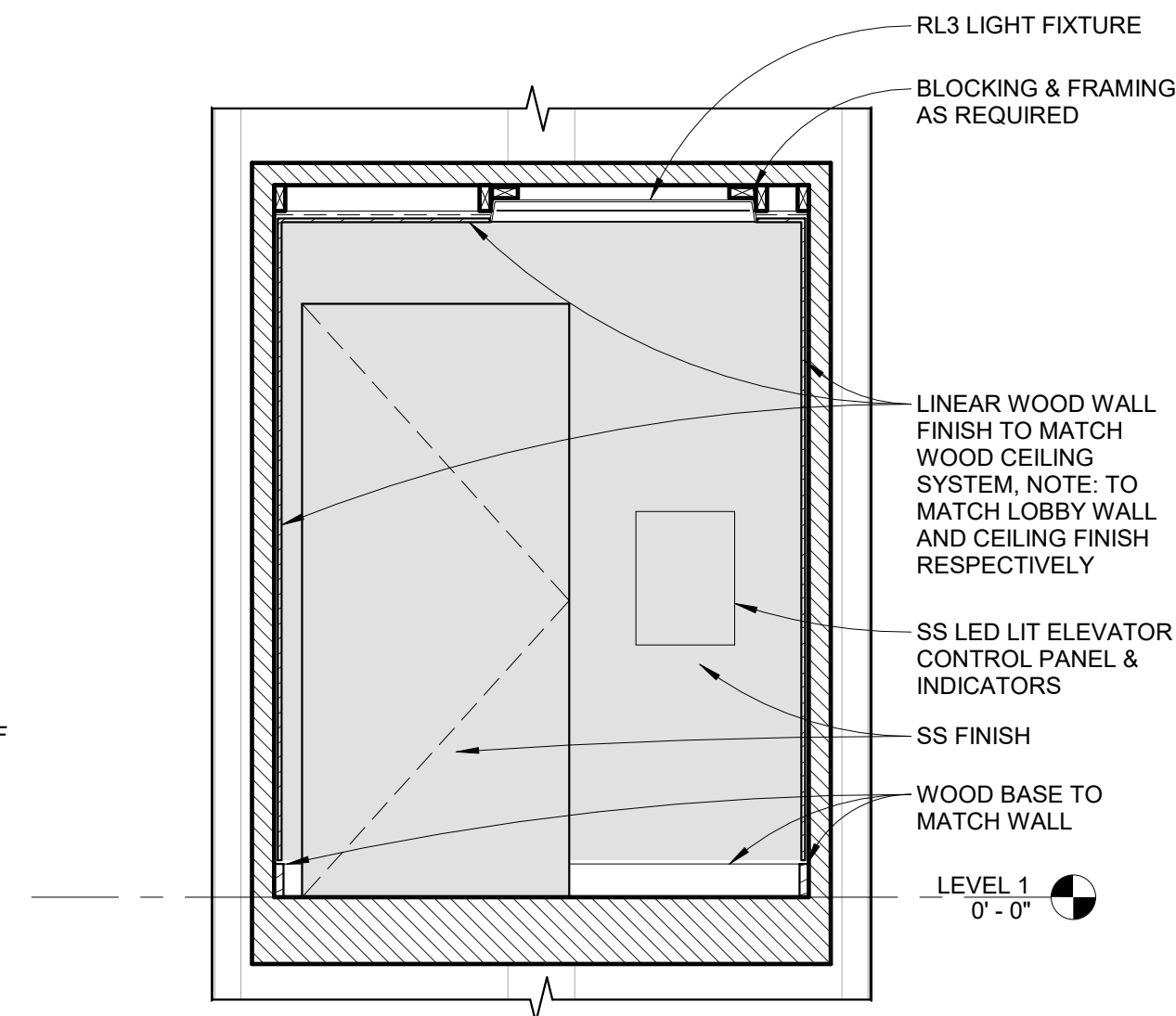
ISSUED FOR PERMITTING

ISSUED: 11/01/17
 PROJECT No: 1714
 DRAWN BY: Author
 CHECKED BY: Checker
 SHEET TITLE:
 VERTICAL CIRCULATION

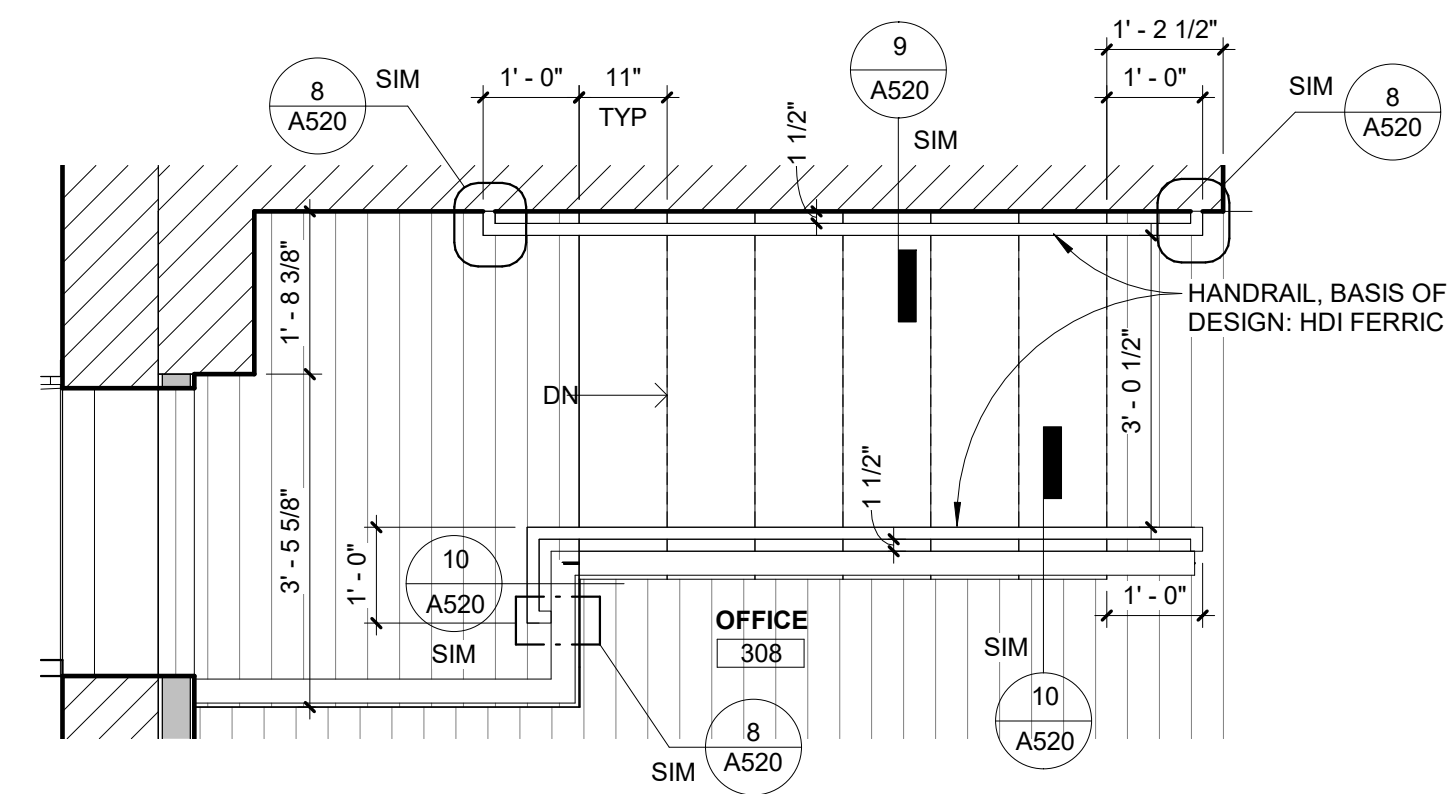
A521



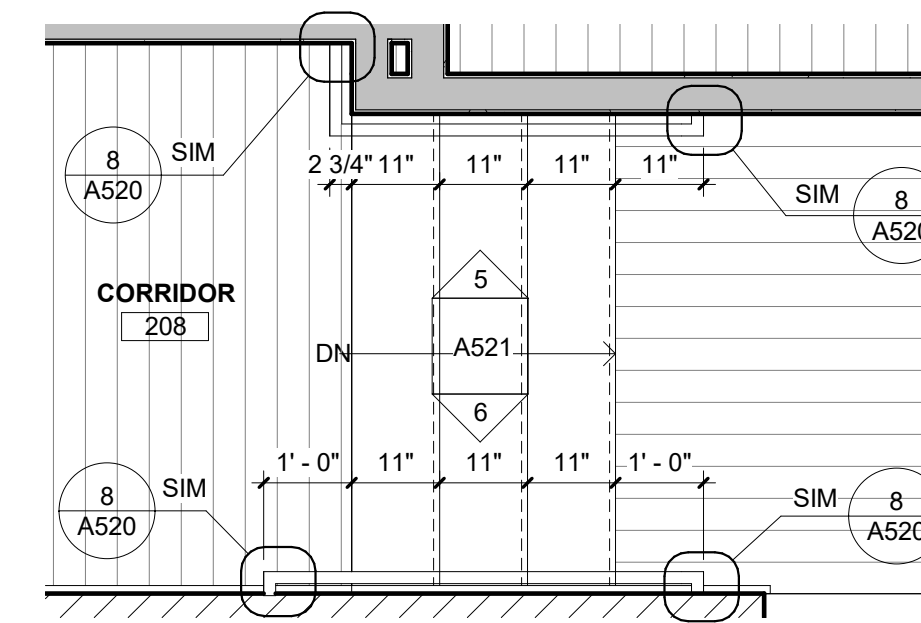
8 ELEVATOR CAB - NORTH INTERIOR ELEVATION
 1/2" = 1'-0"



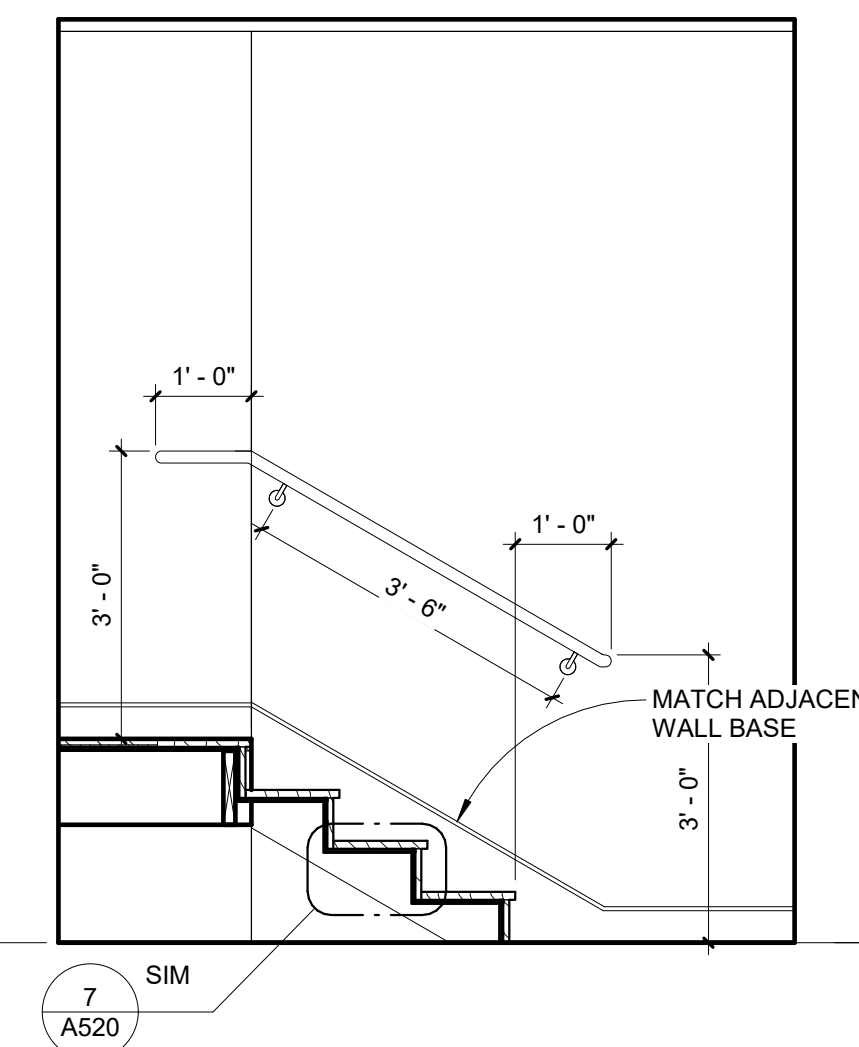
7 ELEVATOR CAB - EAST INTERIOR ELEVATION
 1/2" = 1'-0"



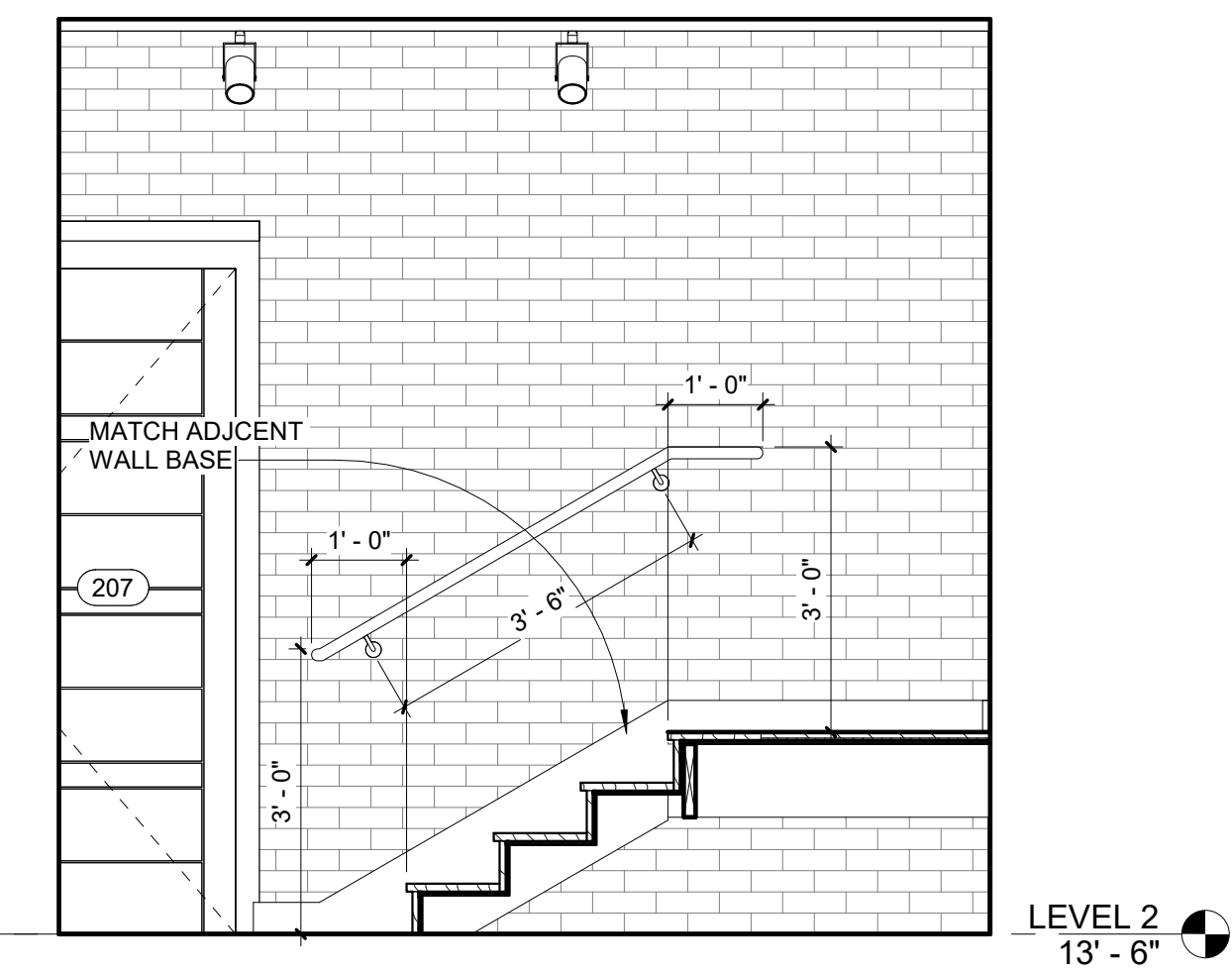
3 STAIR 33 - FLOOR PLAN
 1/2" = 1'-0"



2 STAIR 22 - FLOOR PLAN
 1/2" = 1'-0"



5 STAIR 2 - NORTH
 1/2" = 1'-0"



6 STAIR 2 - SOUTH
 1/2" = 1'-0"