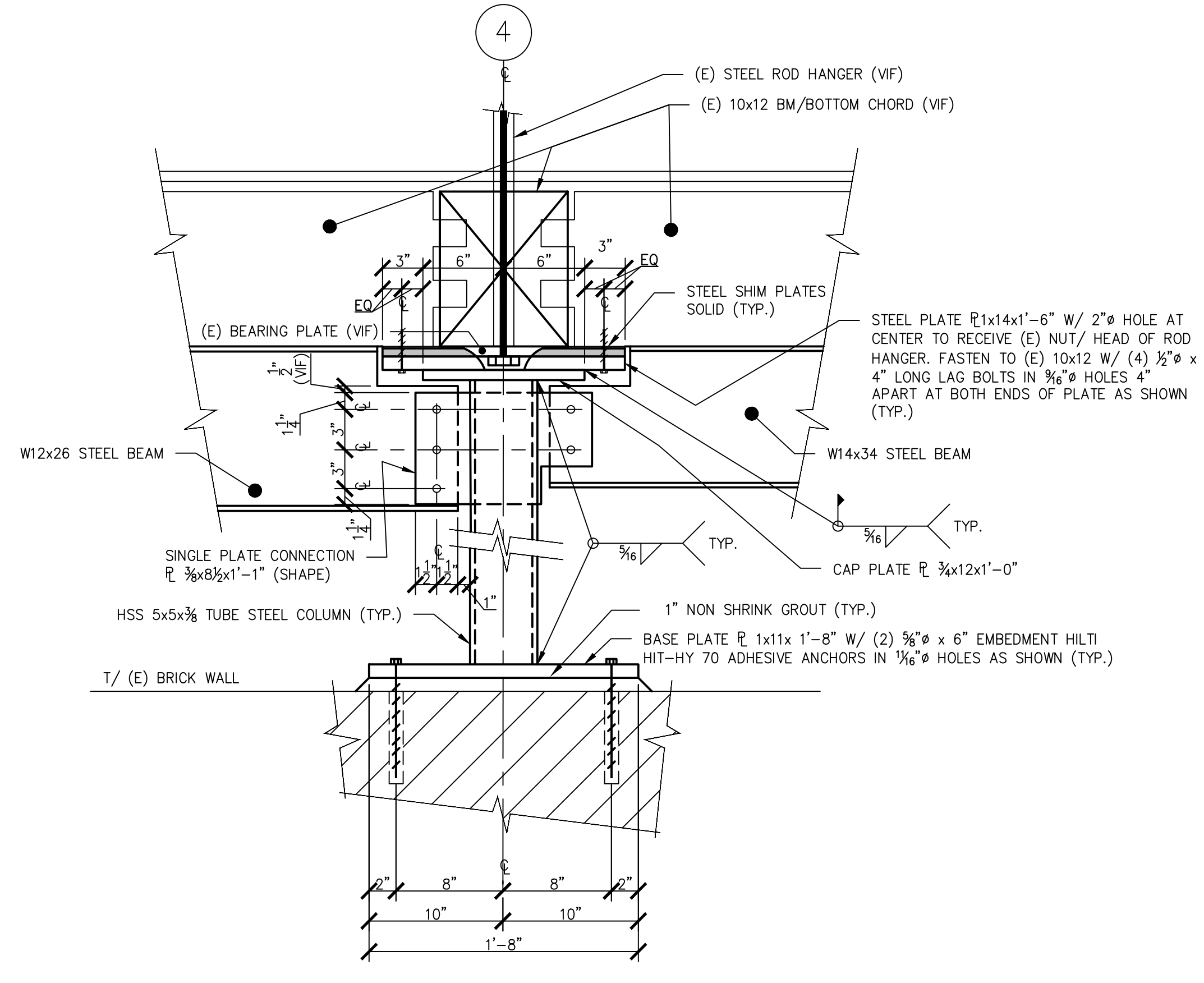


SECTION 1
1 1/2" = 1'-0"
S3.0



SECTION 2
1 1/2" = 1'-0"
S5.0

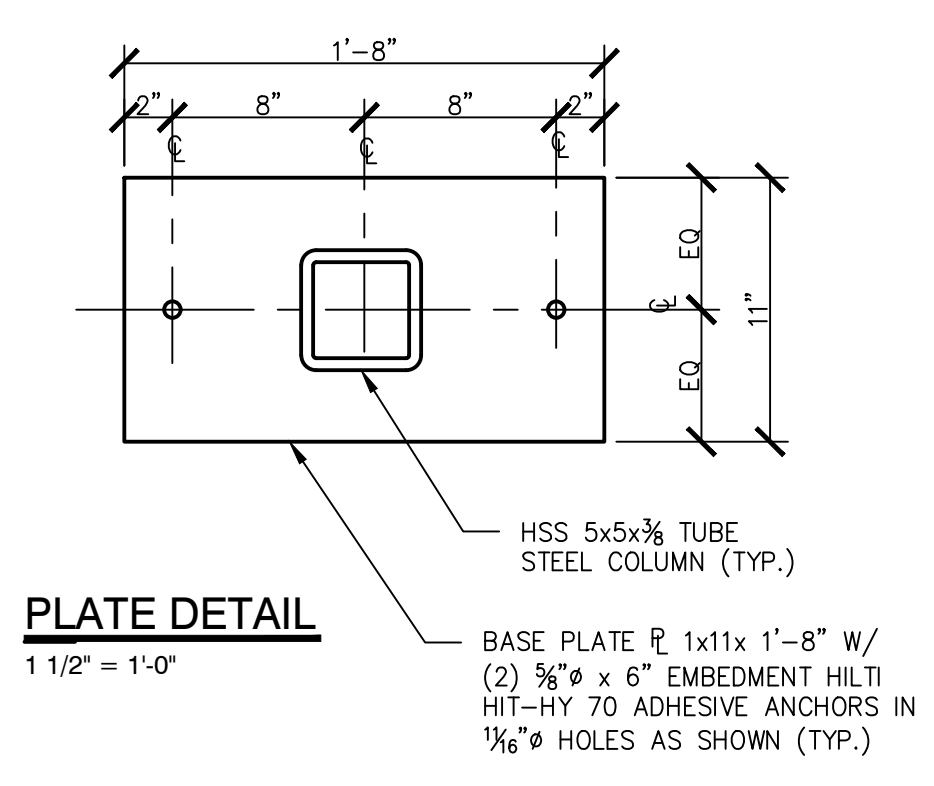
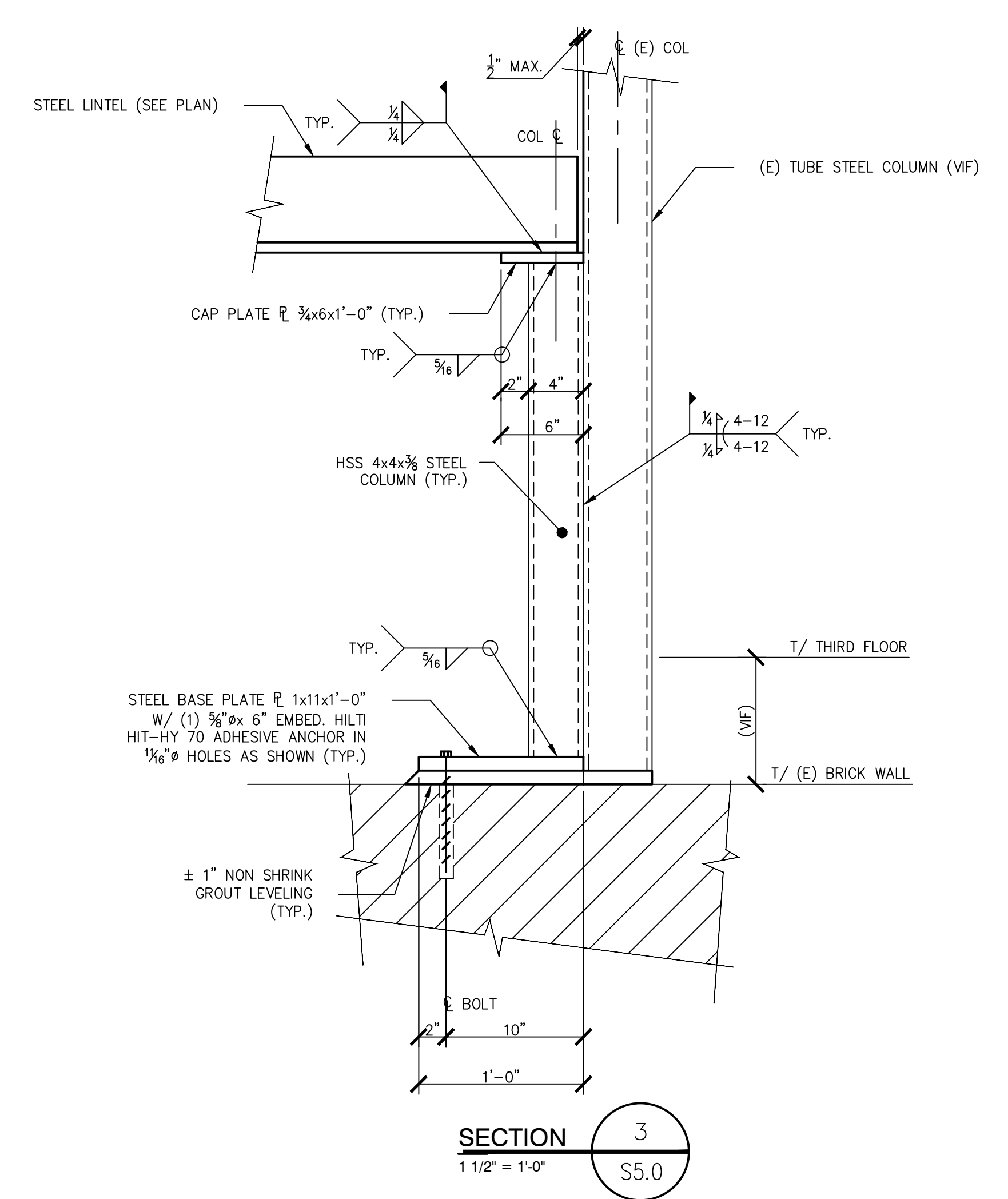
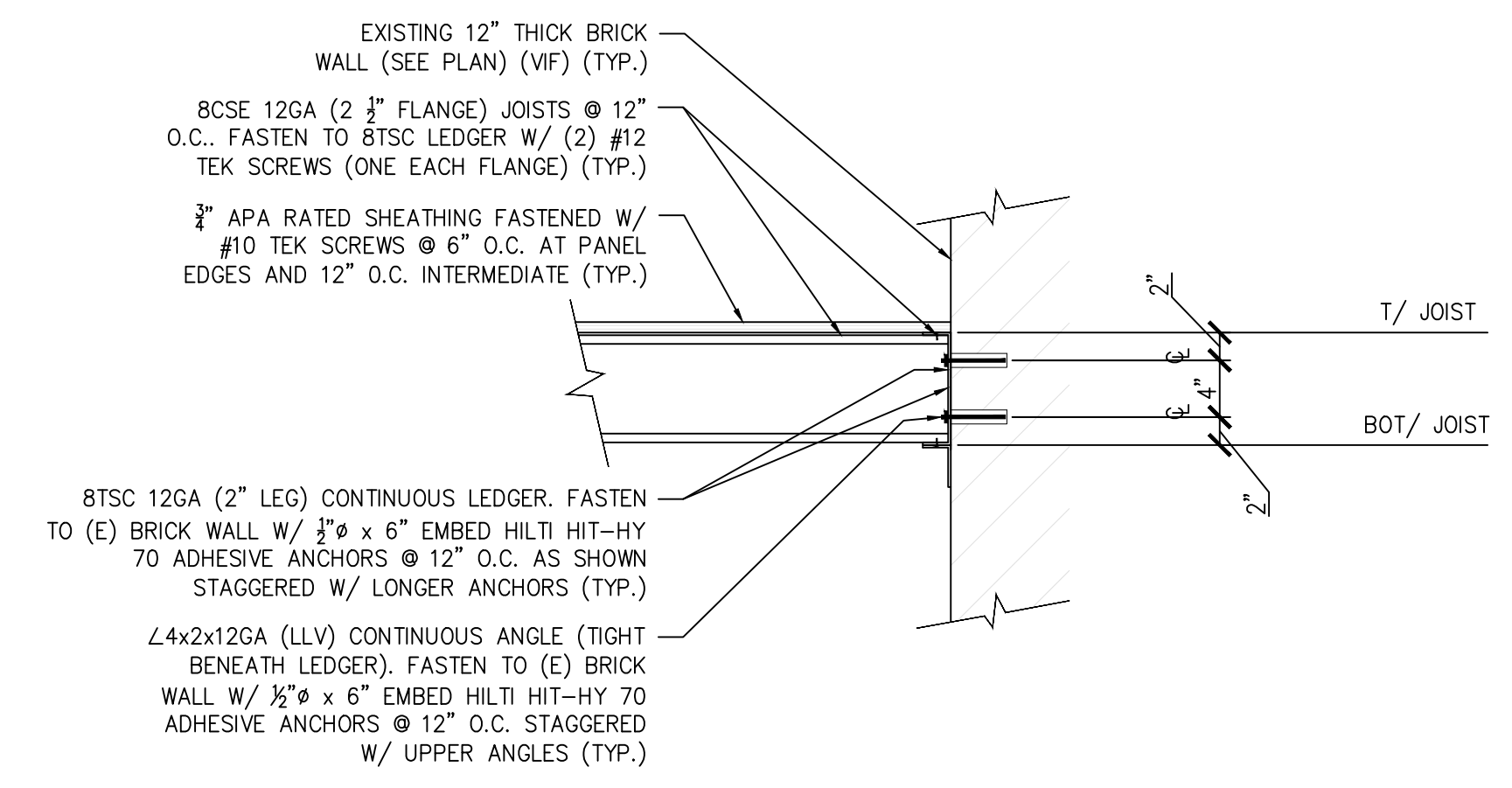


PLATE DETAIL
1 1/2" = 1'-0"
HSS 5x5x3/8 TUBE STEEL COLUMN (TYP.)
BASE PLATE 1/4x11x1'-8" W/ (2) 3/8" x 6" EMBEDMENT HILTI HIT-HY 70 ADHESIVE ANCHORS IN 1/8" HOLES AS SHOWN (TYP.)

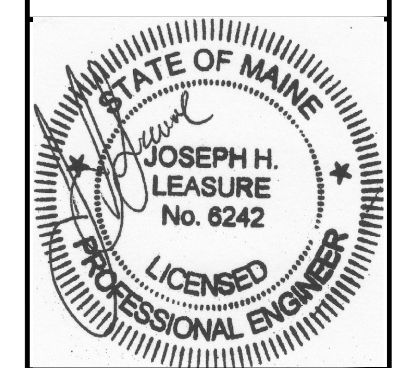


SECTION 3
1 1/2" = 1'-0"
S5.0



SECTION 4
1" = 1'-0"
S4.0

L & L STRUCTURAL ENGINEERING SERVICES, INC.
SIX Q STREET
SOUTH PORTLAND, MAINE 04106
PHONE: (207) 767-4830
FAX: (207) 799-5432
EMAIL: LLEASURE@L-L-ENG.COM



rev.	date	description	designed by: JHL	checked by: JHL	drawn by: JHL, RW
A	10/27/17	FOR REVIEW & COMMENT	JHL	JHL	JHL
B	11/01/17	FOR PRICING AND PERMIT	JHL	JHL	JHL
scale AS NOTED date: 10/27/2017 plot date: 11/01/2017 project #: 2017-029A					

BUILDING LOCATED AT
80 EXCHANGE STREET
PORTLAND, MAINE
DORMER ADDITION
SECTIONS AND DETAILS

S6.1

THESE DRAWINGS HAVE BEEN DEVELOPED BY L&L STRUCTURAL ENGINEERING SERVICES, INC. FOR THE TITLED SET ONLY. THE DRAWINGS ARE THE SOLE PROPERTY OF L&L STRUCTURAL ENGINEERING SERVICES, INC. AND THEY SHALL NOT BE USED, LEAN, COPIED OR ALTERED WITHOUT THE WRITTEN CONSENT OF L&L STRUCTURAL ENGINEERING SERVICES, INC.