

NOT FOR
CONSTRUCTION

80 EXCHANGE STREET
PORTLAND, MAINE
OFFICE RENOVATION

BURN
architecture for life
28 Maine St., Suite 202 | Portland, ME 04101 | 207-774-8482

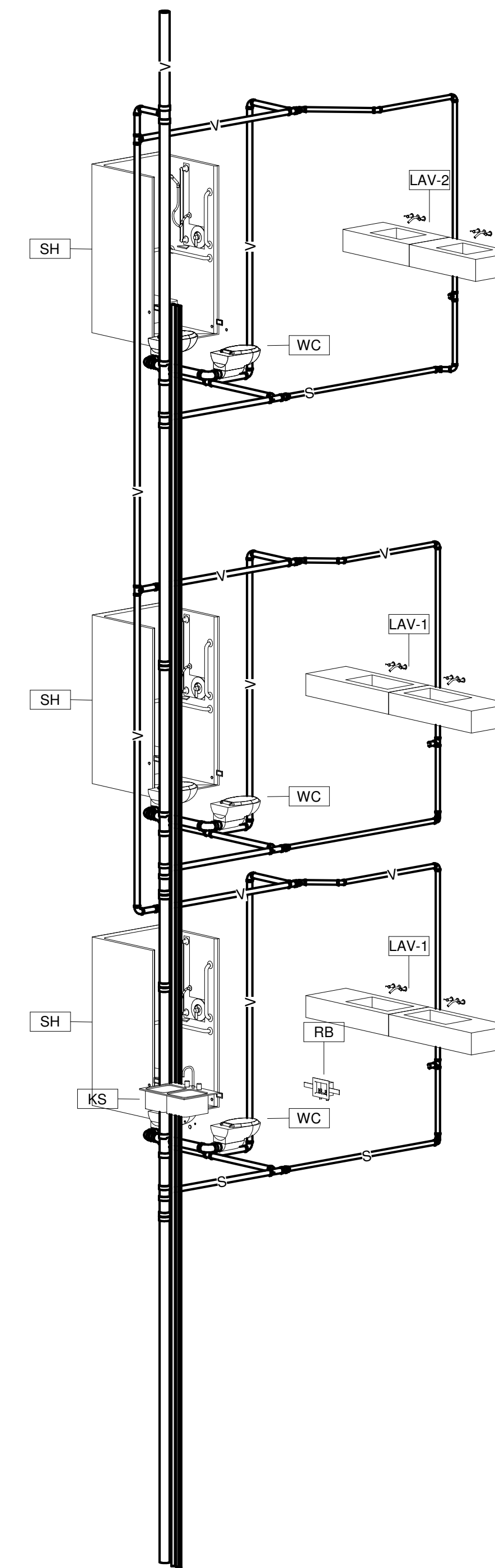
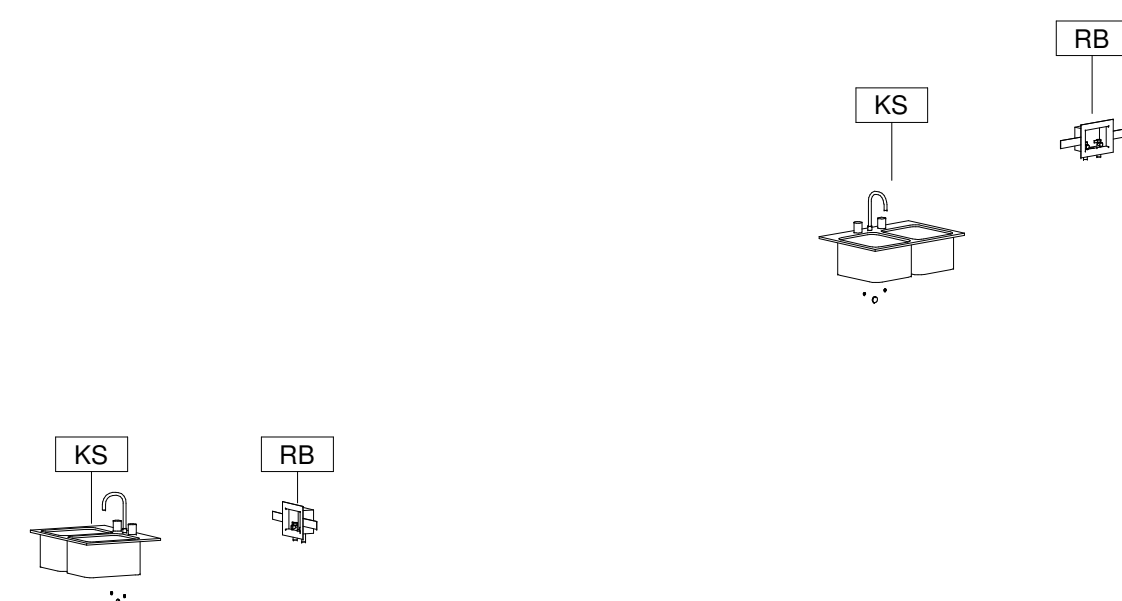
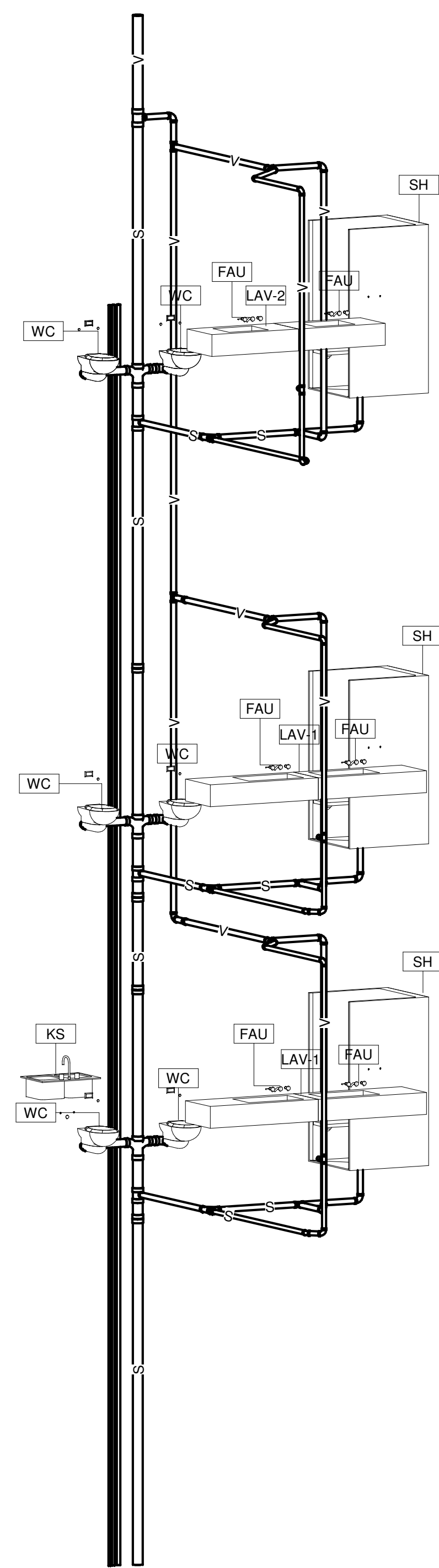
CONSULTANTS:
RIPCORD
engineering
PO BOX 4175
PORTLAND, ME 04101
207-835-4060
www.ripcordengineering.com

REVISIONS:

No.	Name	Date

ISSUED:
PROJECT No: 17-029
DRAWN BY: JPS
CHECKED BY: SMB
SHEET TITLE:
PLUMBING
ISOMETRIC

P901



2 PLUMBING SOUTHEAST ISOMETRIC

1 PLUMBING SOUTHWEST ISOMETRIC