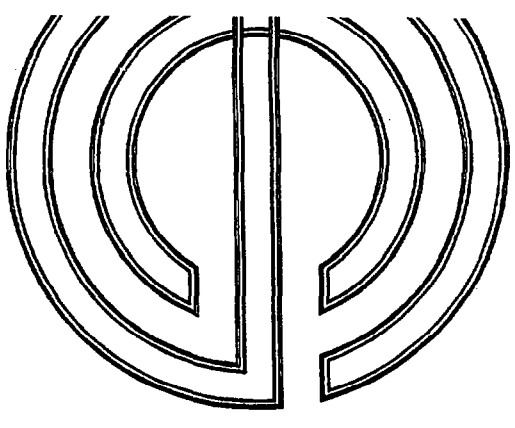


DEPT. OF BUILDING  
CITY OF PORTLAND  
NOV 3 2004  
RECEIVED



# SEATING CONCEPTS

A GLOBAL SEATING COMPANY

- |                   |               |                       |
|-------------------|---------------|-----------------------|
| 1. COVER SHEET    | D-372939-1(B) | INSTALLATION DETAILS  |
| 2. SEATING LAYOUT | D-372939-2(B) | SEATING LAYOUT, AUD.1 |
| 3. SEATING LAYOUT | D-372939-3(B) | SEATING LAYOUT, AUD.2 |
| 4. SEATING LAYOUT | D-372939-4(B) | SEATING LAYOUT, AUD.3 |
| 5. SEATING LAYOUT | D-372939-5(A) | SEATING LAYOUT, AUD.4 |
| 6. SEATING LAYOUT | D-372939-6(B) | SEATING LAYOUT, AUD.5 |
| 7. SEATING LAYOUT | D-372939-7(B) | SEATING LAYOUT, AUD.6 |
| 8. SEATING LAYOUT | D-372939-8(B) | SEATING LAYOUT, AUD.8 |

## DRAWING DESCRIPTION

DATE : NOVEMBER 17, 2003

SEATING TYPE : THEATRE

CHAIR MODEL(S) : ~~BR-2000-RESENER~~

QUANTITY : 744 SEATS ON 137 ROWS

aisle lights : N/A

NUMBER/ LETTER : N/A

Mount type : FLOOR/ CONCRETE

PROJECT NO. : PENDING

DRAWING NO. : D-372939(B)

DRAWN BY : MICHELE GONZALEZ

QC BY : MARCO A. RETES

INSTALLED BY : CLIENT

APPROVED :  YES  NO

DRAWING DATES

ORIGINAL : 06.04.03

REVISION(A): 07.15.03

## REVISION DESCRIPTION NOTES

SHEET	REVISION LETTER	SYMBOL	REVISION LETTER	SYMBOL	REQUESTED BY :
DATE	CONNECTIONS WITH REVISIONS	DATE	PRODUCTION DRAWING & DATE	OTHER (SPECIFY)	CLIENT ARCHITECT
ALL	MAXIMIZE CHAIR COUNT				CLIENT
07.15.03					CLIENT
11.17.03	PER CLIENT'S MARK-UPS				CLIENT

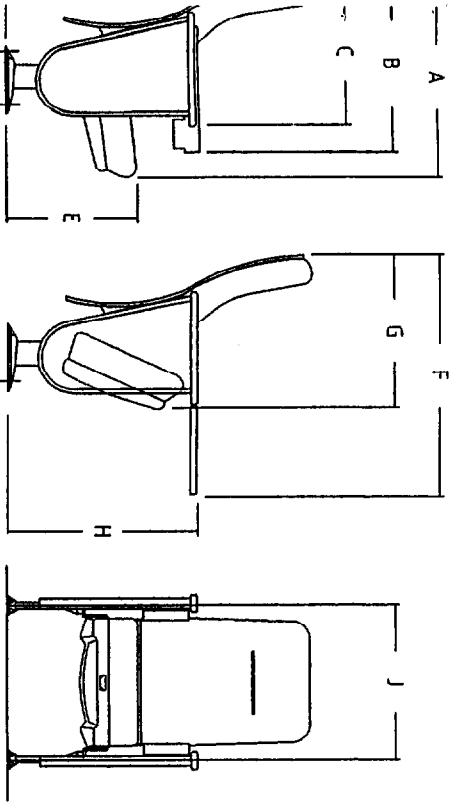
## CONDITIONS OF APPROVAL

This plan is approved as submitted by Seating Concepts, Inc. for quantity and seating arrangement, with all other conditions of the building contract. A valid right of first refusal shall be in effect for the building for use until the building is occupied. The plan is approved as submitted by Seating Concepts, Inc. for quantity and seating arrangement, with all other conditions of the building contract. A valid right of first refusal shall be in effect for the building for use until the building is occupied.

**SEATING CONCEPTS LLC**  
AUDITORIUM, PUBLIC, CONTRACT AND CLASSROOM SEATING  
2225 HANCOCK STREET • SAN DIEGO, CALIFORNIA 92110-2038  
TEL. 619 481 3150 • www.seatingconcepts.com • FAX. 619 481 3172

PROJECT PATRIOT CINEMAS  
NAME : PORTLAND, ME

032 H 005



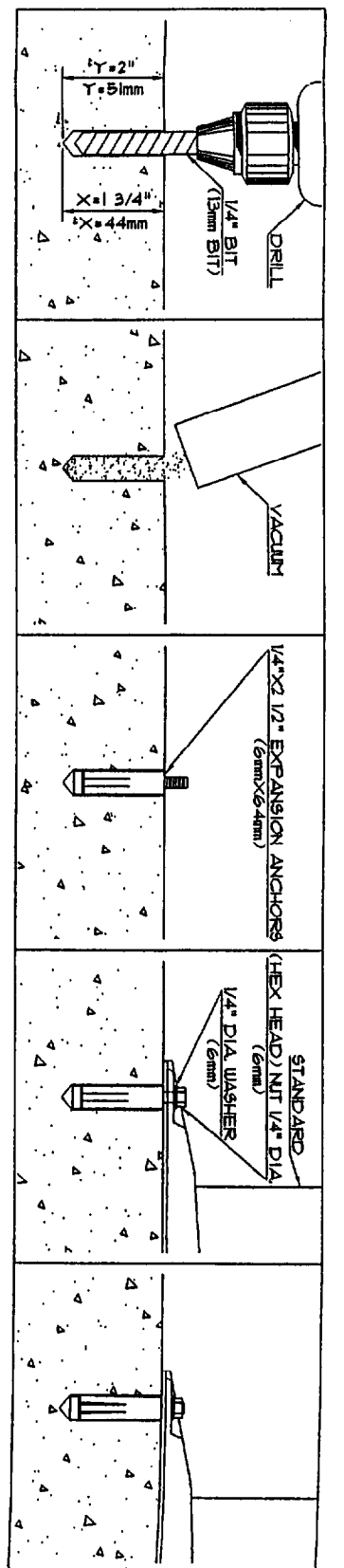
**GENERAL DIMENSIONS**

DIMENSION	BACK PITCH		
	20°	25°	30°
A	21 1/2"	19 1/2"	18 1/2"
B	23 1/2"	24 1/2"	25 3/4"
C	21"	22 1/4"	23 1/2"
D	31"	36 1/4"	35 1/2"
E	18 1/2"	18 1/2"	18 1/2"
F	33 1/2"	34 3/4"	36"
G	22"	23 1/4"	24 1/2"
H	23 1/2"	23 1/2"	23 1/2"
I	11"	12 1/4"	13 3/4"

**CHAIR WIDTHS**

ROW	20°	25°	30°
J	22"	23"	24"



**MEASUREMENTS AND SPECIFICATIONS**

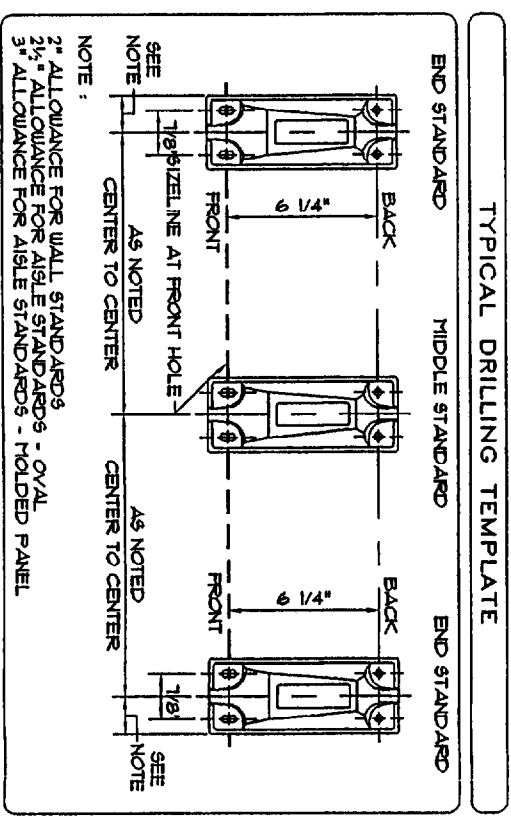
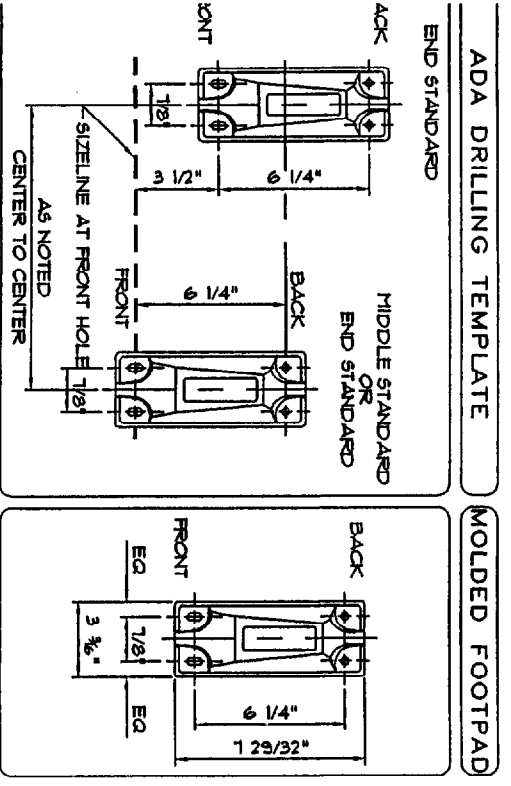
**DRILLING PROCEDURE - CONCRETE FLOOR**

- LEGEND :**
- INDICATES RETRACTABLE AIR-REST (13)
  - ⌋ INDICATES WALL STANDARD (109)

**CHAIR SUMMARY :**

AUDITORIUM	BX-208 PREMIER				TOTAL	ROWS
	21"	22"	23"	23"		
1	181	6	38	231	42	
2	23	39	6	74	20	
3	0	44	64	108	19	
4	63	26	48	137	23	
5	31	12	4	47	10	
6	44	2	35	81	15	
<b>TOTAL</b>	<b>360</b>	<b>109</b>	<b>195</b>	<b>744</b>	<b>137</b>	

SLOPE	BX-208 PREMIER				TOTAL	ROWS
	21"	22"	23"	23"		
0	13	15	23	51	13	
4	98	18	30	146	21	
6	249	153	145	547	97	
<b>TOTAL</b>	<b>360</b>	<b>186</b>	<b>198</b>	<b>744</b>	<b>137</b>	



**DRILLING TEMPLATES - FLOOR**

**CONCRETE SURFACE**

1. FLOOR MARK : Concrete must be at least 4 days before drilling. Mark and type of any aggregate for 1"-1 1/2" size. Two expansion bolts per foot laid diagonally for floor slab and three expansion bolts per foot for precast slab.

2. HOLE MARK : Concrete must be at least 10 days before drilling. Mark and type of any aggregate for 1"-1 1/2" size. Two expansion bolts per foot laid diagonally for floor slab and three expansion bolts per foot for precast slab.

3. HOLE MARK : Concrete must be at least 10 days before drilling. Mark and type of any aggregate for 1"-1 1/2" size. Two expansion bolts per foot laid diagonally for floor slab and three expansion bolts per foot for precast slab.

NOTE : Blow shall be placed into or within 1/8".

4. Material weight concrete must have a minimum compressive strength of 3000 PSI.

5. Material weight concrete must have a minimum compressive strength of 5000 PSI.

**SEATING CONCEPTS LLC**

ADMINISTRATIVE CONTACT AND OFFICE USE ONLY  
225 HINCKLEY STREET - SAN DIEGO, CALIFORNIA 92108  
TEL: 619 481-5283 • FAX: 619 481-8172 • WWW.SEATINGCONCEPTS.COM

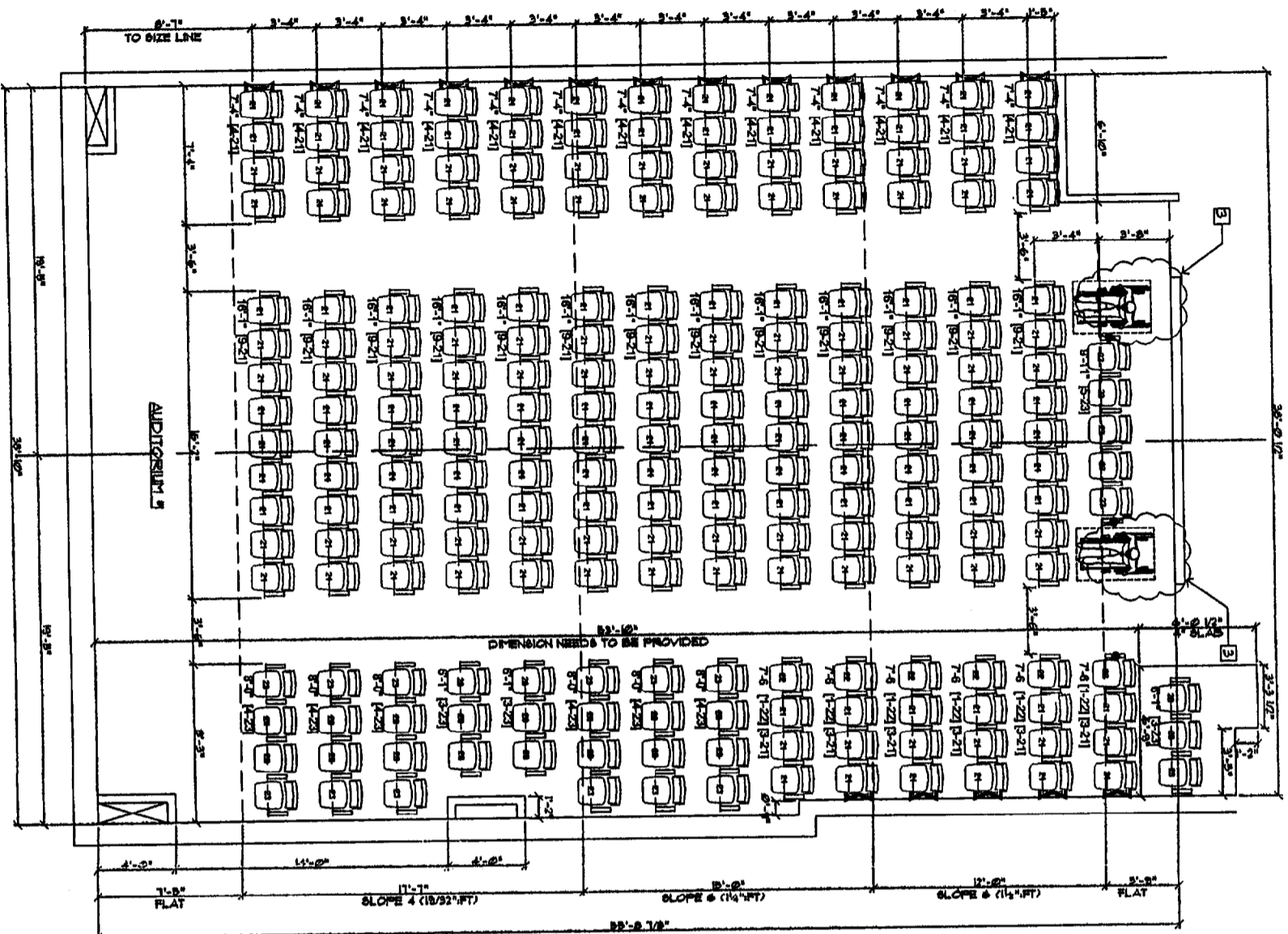
**PATRIOT CINEMAS**

PORTLAND, ME

INSTALLATION DETAILS

NOT TO SCALE

DATE: NOVEMBER 17, 2003



**GENERAL NOTES :**

1. PLANS DIAGMATICALLY SHOW THE EXISTING CONDITIONS AND ARE NOT INTENDED TO GIVE COMPLETE OR DETAILED INFORMATION. FIELD VERIFY WHERE CRITICAL FOR THE INSTALLATION OF NEW SEATING.
  2. FIELD CHECK ALL DIMENSIONS, SLOPES, CLEARANCES AND LOCATIONS FOR ADA ACCESSIBILITY, AND AS REQUIRED FOR THE PROPER MANUFACTURING OF NEW SEATING.
  3. BUILDING CODES, AS KNOWN TO SEATING CONCEPTS, LLC HAVE BEEN CONSIDERED IN PREPARING THIS PLAN HOWEVER VERIFICATION OF COMPLIANCE TO LOCAL BUILDING CODES IS THE SOLE RESPONSIBILITY OF THE CUSTOMER OR ARCHITECT.
- KEYNOTES :**
- LAYOUT WAS CREATED FROM A HARCOPY PROVIDED BY THE CLIENT. FIELD VERIFY ALL DIMENSIONS FOR ACCURACY.

**LEGEND :**

- INDICATES RETRACTABLE AIRREST (R)
- ⌋ INDICATES WALL STANDARD (W)

**CHAIR SUMMARY :**

AUDITORIUM	EX-208 PREMIER			ROWS
	21"	22"	23"	
1	187	6	38	231
				42

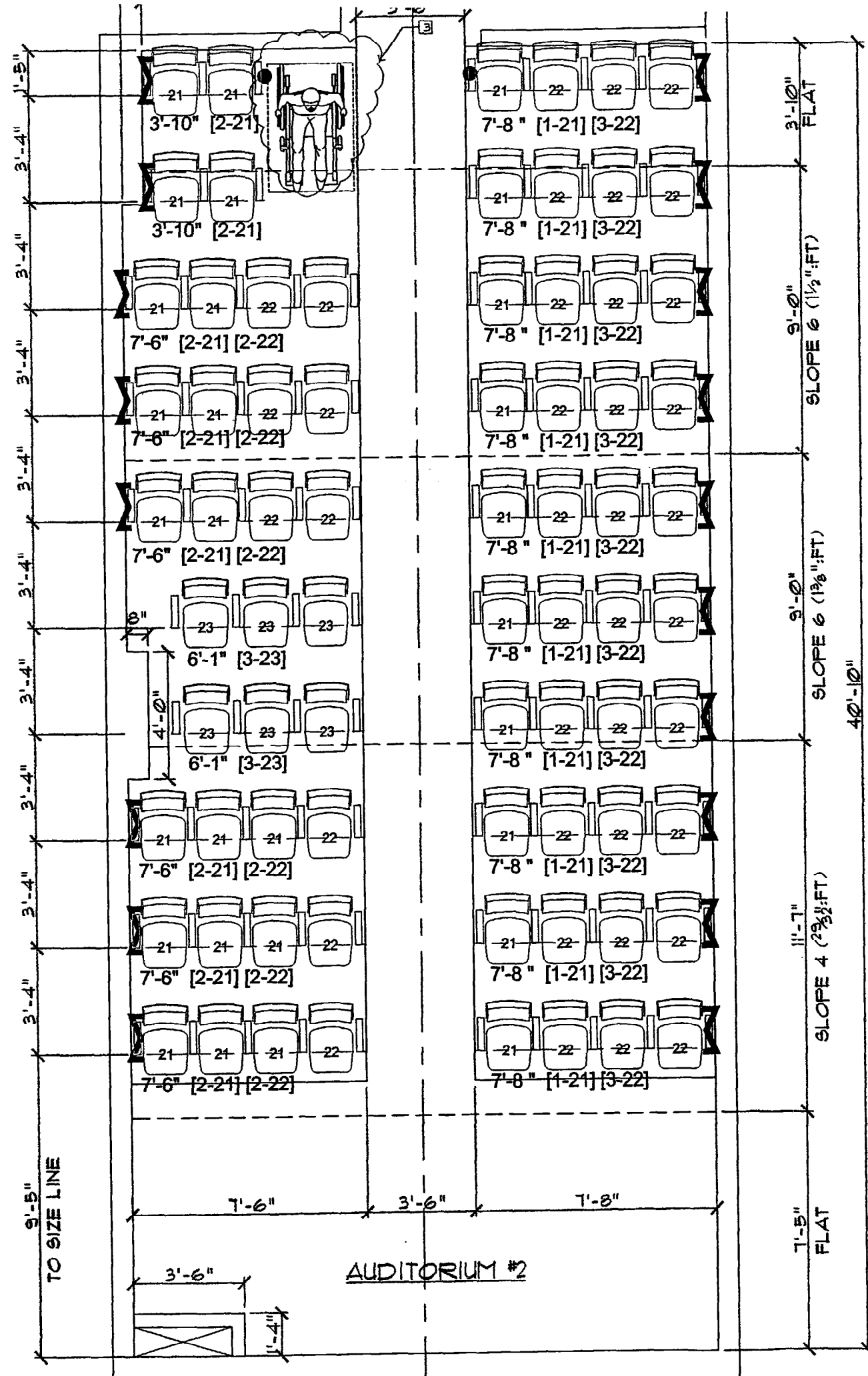
  

SLOPE	EX-208 PREMIER			ROWS
	21"	22"	23"	
0	3	1	8	12
4	65	0	18	83
6	119	5	12	136
				24

**SEATING CONCEPTS LLC**  
 255 HUNTERS LANE, SUITE 100, PORTLAND, ME 04106  
 TEL: 603.883.1234 FAX: 603.883.1232

DESIGNED BY: H. GONZALEZ  
 CHECKED BY: H. GONZALEZ  
 DATE: NOVEMBER 17, 2008

**PATRIOT CINEMAS**  
 PORTLAND, ME  
 SEATING LAYOUT, AUD. 1  
 SCALE: 1/8" = 1'-0"  
 DATE: NOVEMBER 17, 2008



**GENERAL NOTES :**

1. PLANS DIAGRAMMATICALLY SHOW THE EXISTING CONDITIONS AND ARE NOT INTENDED TO GIVE COMPLETE OR DETAILED INFORMATION. FIELD VERIFY WHERE CRITICAL FOR THE INSTALLATION OF NEW SEATING.
2. FIELD CHECK ALL DIMENSIONS, SLOPES, CLEARANCES AND LOCATIONS FOR ADA ACCESSIBILITY, AND AS REQUIRED FOR THE PROPER MANUFACTURING OF NEW SEATING.
3. BUILDING CODES, AS KNOWN TO SEATING CONCEPTS, LLC HAVE BEEN CONSIDERED IN PREPARING THIS PLAN, HOWEVER VERIFICATION OF COMPLIANCE TO LOCAL BUILDING CODES IS THE SOLE RESPONSIBILITY OF THE CUSTOMER OR/ ARCHITECT.

**KEYNOTES :**

- 1. LAYOUT WAS CREATED FROM A HARCOPY PROVIDED BY THE CLIENT. FIELD VERIFY ALL DIMENSIONS FOR ACCURACY.


**LEGEND :**

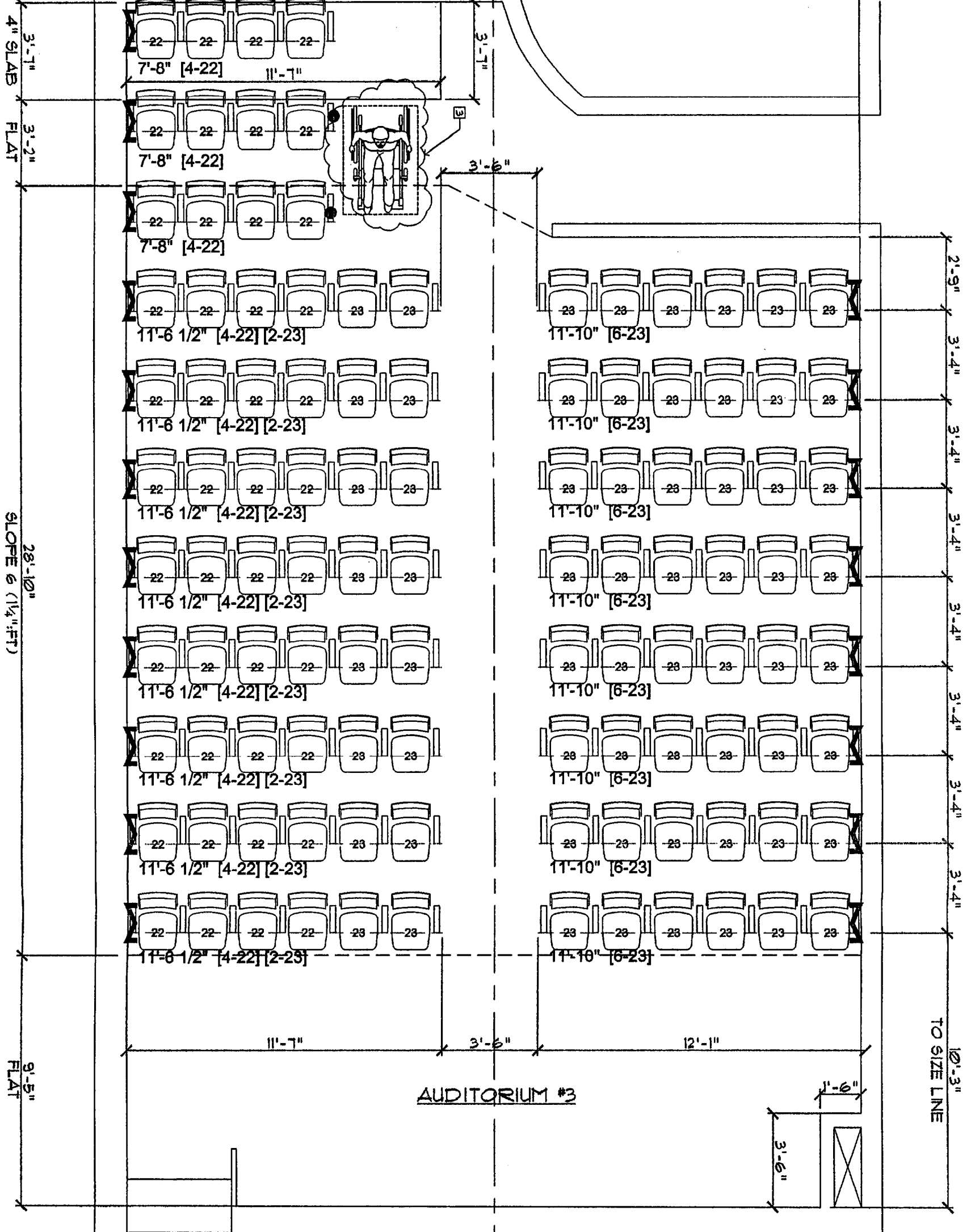
- INDICATES RETRACTABLE ARMREST (2)
- ⌋ INDICATES WALL STANDARD (18)

**CHAIR SUMMARY :**

AUDITORIUM	BX-208 PREMIER			TOTAL	ROWS
	21"	22"	23"		
2	29	39	6	74	20

SLOPE	BX-208 PREMIER			TOTAL	ROWS
	21"	22"	23"		
0	3	3	0	6	2
4	12	12	0	24	6
6	14	24	6	44	12

 <b>SEATING CONCEPTS LLC</b> <small>ARCHITECTURAL, PUBLIC CONTRACT AND CLASSROOM SEATING          225 HAWKWOOD STREET • SAN DIEGO, CALIFORNIA 92108-2833          TEL: 619-691-3128 • WWW.SEATINGCONCEPTS.COM • FAX: 619-691-3122</small>	
DRAWN BY: M. GONZALEZ CHECKED BY: REVIEWED BY: M. GONZALEZ	<b>FOR: PATRIOT CINEMAS</b> <b>LOCATED: PORTLAND, ME</b> <b>TITLE: SEATING LAYOUT, AUD. 2</b> <small>SCALE: 1/4" = 1'-0" PROJECT NO.: PENDING</small> <small>DATE: NOVEMBER 17, 2003 DRAWING NO.: 0-372839-100</small> SHEET: 4 OF 8



**GENERAL NOTES :**

1. PLAN DIAGRAMMATICALLY SHOW THE EXISTING CONDITIONS AND ARE NOT INTENDED TO GIVE COMPLETE OR DETAILED INFORMATION. FIELD VERIFY WHERE CRITICAL FOR THE INSTALLATION OF NEW SEATING.
2. FIELD CHECK ALL DIMENSIONS, 91 OPEN CLEARANCES AND LOCATIONS FOR ADA ACCESSIBILITY AND AS REQUIRED FOR THE PROPER MANUFACTURING OF NEW SEATING.
3. BUILDING CODES, AS KNOWN TO SEATING CONCEPTS, LLC HAVE BEEN CONSIDERED IN PREPARING THIS PLAN, HOWEVER VERIFICATION OF COMPLIANCE TO LOCAL BUILDING CODES IS THE SOLE RESPONSIBILITY OF THE CUSTOMER OR ARCHITECT.

**KEYNOTES :**

- LAYOUT WAS CREATED FROM A HARDCOPY PROVIDED BY THE CLIENT. FIELD VERIFY ALL DIMENSIONS FOR ACCURACY.

**LEGEND :**

- INDICATES RETRACTABLE ARMREST (2)
- ⌋ INDICATES WALL STANDARD (18)

**CHAIR SUMMARY :**

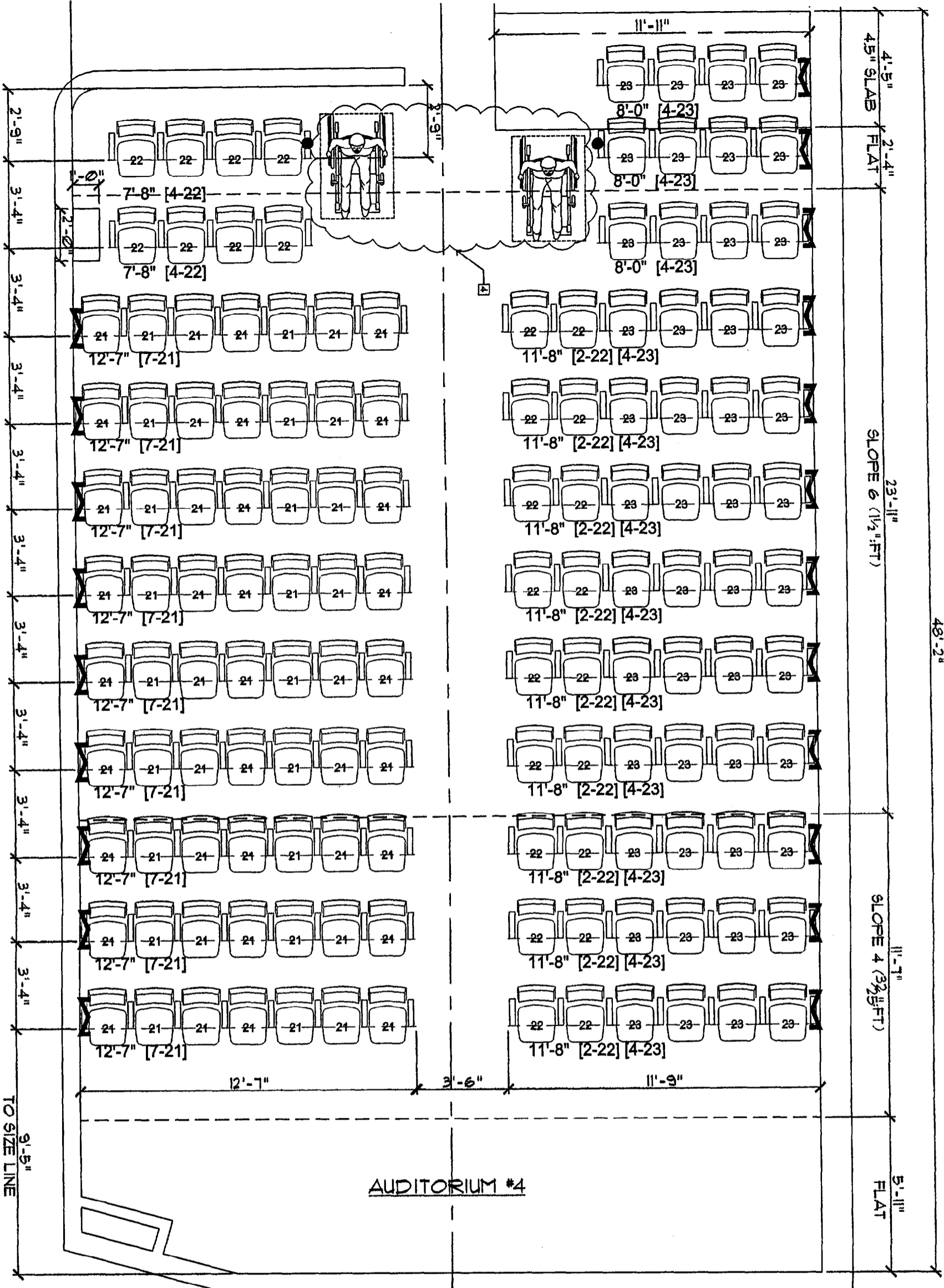
AUDITORIUM	EX-208 PREMIER			TOTAL	ROWS
	21"	22"	23"		
3	0	44	64	108	19

SLOPE	EX-208 PREMIER			TOTAL	ROWS
	21"	22"	23"		
0	0	8	0	8	2
6	0	36	64	100	11

**SEATING CONCEPTS LLC**  
 ADDITIONAL THEATRE, CONCERT AND CLASSROOM SEATING  
 285 WILCOX STREET • SHERBORN, MASSACHUSETTS  
 TEL: 978.421.2288 • www.seatingconcepts.com • FAX: 978.421.2222

**PATRIOT CINEMAS**  
 PORTLAND, ME  
 THEATRE SEATING LAYOUT, AUD. 3  
 SCALE: 1/4" = 1'-0" (REVISOR NO. 1 PENDING)  
 DATE: 11/14/2013



**GENERAL NOTES :**

1. PLANS DIAGMATICALLY SHOW THE EXISTING CONDITIONS AND ARE NOT INTENDED TO GIVE COMPLETE OR DETAILED INFORMATION. FIELD VERIFY WHERE CRITICAL FOR THE INSTALLATION OF NEW SEATING.
2. FIELD CHECK ALL DIMENSIONS, SLOPES, CLEARANCES AND LOCATIONS FOR ADA ACCESSIBILITY, AND AS REQUIRED FOR THE PROPER MANUFACTURING OF NEW SEATING.
3. BUILDING CODES, AS KNOWN TO SEATING CONCEPTS, LLC HAVE BEEN CONSIDERED IN PREPARING THIS PLAN, HOWEVER VERIFICATION OF COMPLIANCE TO LOCAL BUILDING CODES IS THE SOLE RESPONSIBILITY OF THE CUSTOMER OR ARCHITECT.

**KEYNOTES :**

- LAYOUT WAS CREATED FROM A HARCOPY PROVIDED BY THE CLIENT. FIELD VERIFY ALL DIMENSIONS FOR ACCURACY.

**LEGEND :**

- INDICATES RETRACTABLE ARMREST (2)
- ] INDICATES WALL STANDARD (2)

**CHAIR SUMMARY :**

AUDITORIUM	EX-208 PREMIER				TOTAL	ROWS
	21"	22"	23"	TOTAL		
4	63	26	48	137	23	

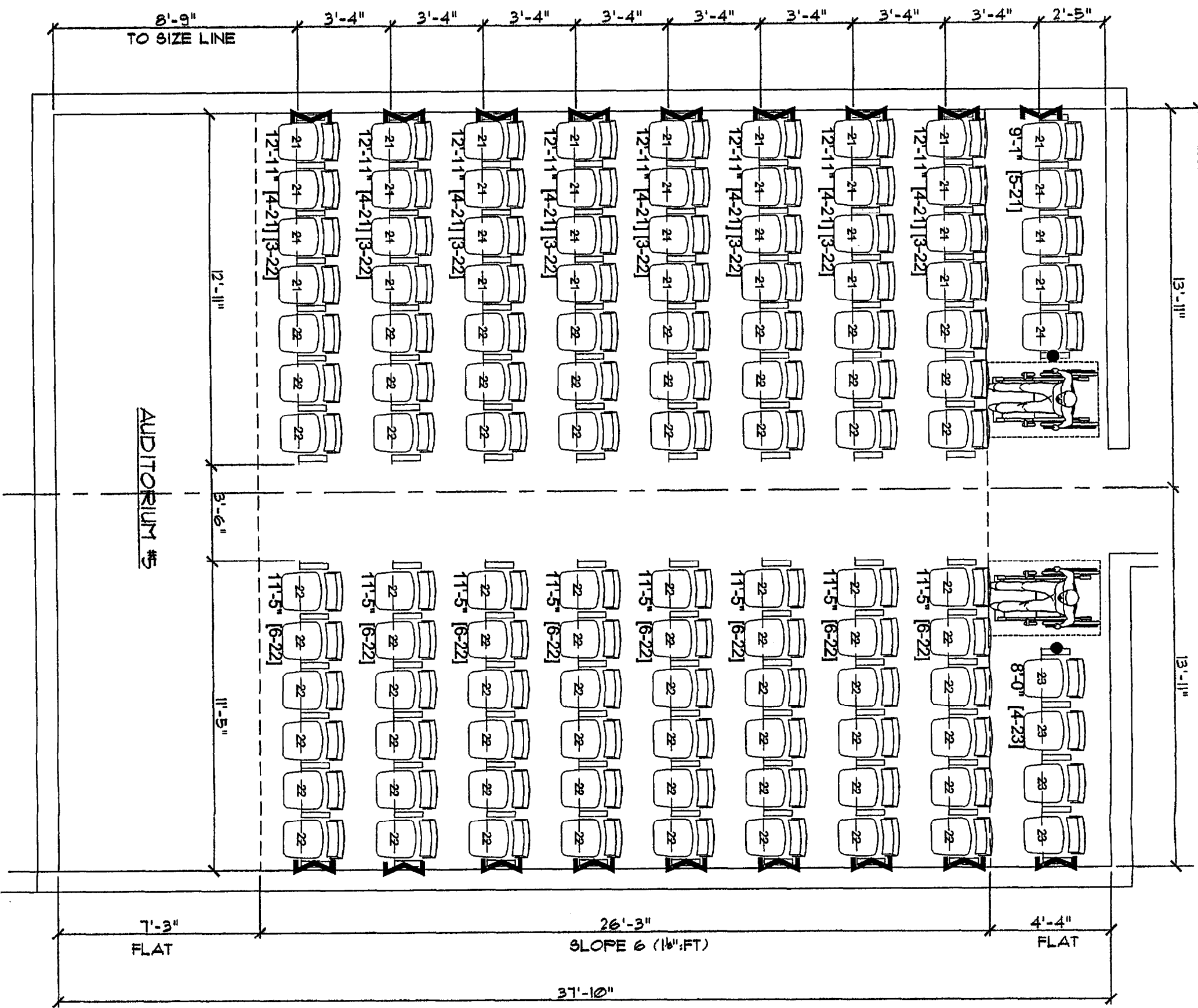
  

SLOPE	EX-208 PREMIER				TOTAL	ROWS
	21"	22"	23"	TOTAL		
0	0	4	8	12	3	
4	21	6	12	39	6	
6	42	16	28	86	14	

**SEATING CONCEPTS LLC**  
 225 WOODSIDE STREET • SUITE 100 • PORTLAND, OREGON 97203  
 TEL: 503 948 2822 • FAX: 503 948 2822

**FOR: PATRIOT CINEMAS**  
 PORTLAND, ME  
 PROJECT: SEATING LAYOUT - AUD. 4  
 DATE: NOVEMBER 17, 2003

DESIGNED BY: M. GONZALEZ  
 DRAWN BY: M. GONZALEZ  
 SCALE: 1/4" = 1'-0"  
 STATUS: PENDING



**GENERAL NOTES :**

1. PLANS DIAGRAMMATICALLY SHOW THE EXISTING CONDITIONS AND ARE NOT INTENDED TO GIVE COMPLETE OR DETAILED INFORMATION. FIELD VERIFY WHERE CRITICAL FOR THE INSTALLATION OF NEW SEATING.
2. FIELD CHECK ALL DIMENSIONS, SLOPES, CLEARANCES AND LOCATIONS FOR ADA ACCESSIBILITY, AND AS REQUIRED FOR THE PROPER MANUFACTURING OF NEW SEATING.
3. BUILDING CODES, AS KNOWN TO SEATING CONCEPTS, LLC HAVE BEEN CONSIDERED IN PREPARING THIS PLAN. HOWEVER, VERIFICATION OF COMPLIANCE TO LOCAL BUILDING CODES IS THE SOLE RESPONSIBILITY OF THE CUSTOMER OR ARCHITECT.

**KEYNOTES :**

- ☐ LAYOUT WAS CREATED FROM A HARCOPY PROVIDED BY THE CLIENT. FIELD VERIFY ALL DIMENSIONS FOR ACCURACY.

**LEGEND :**

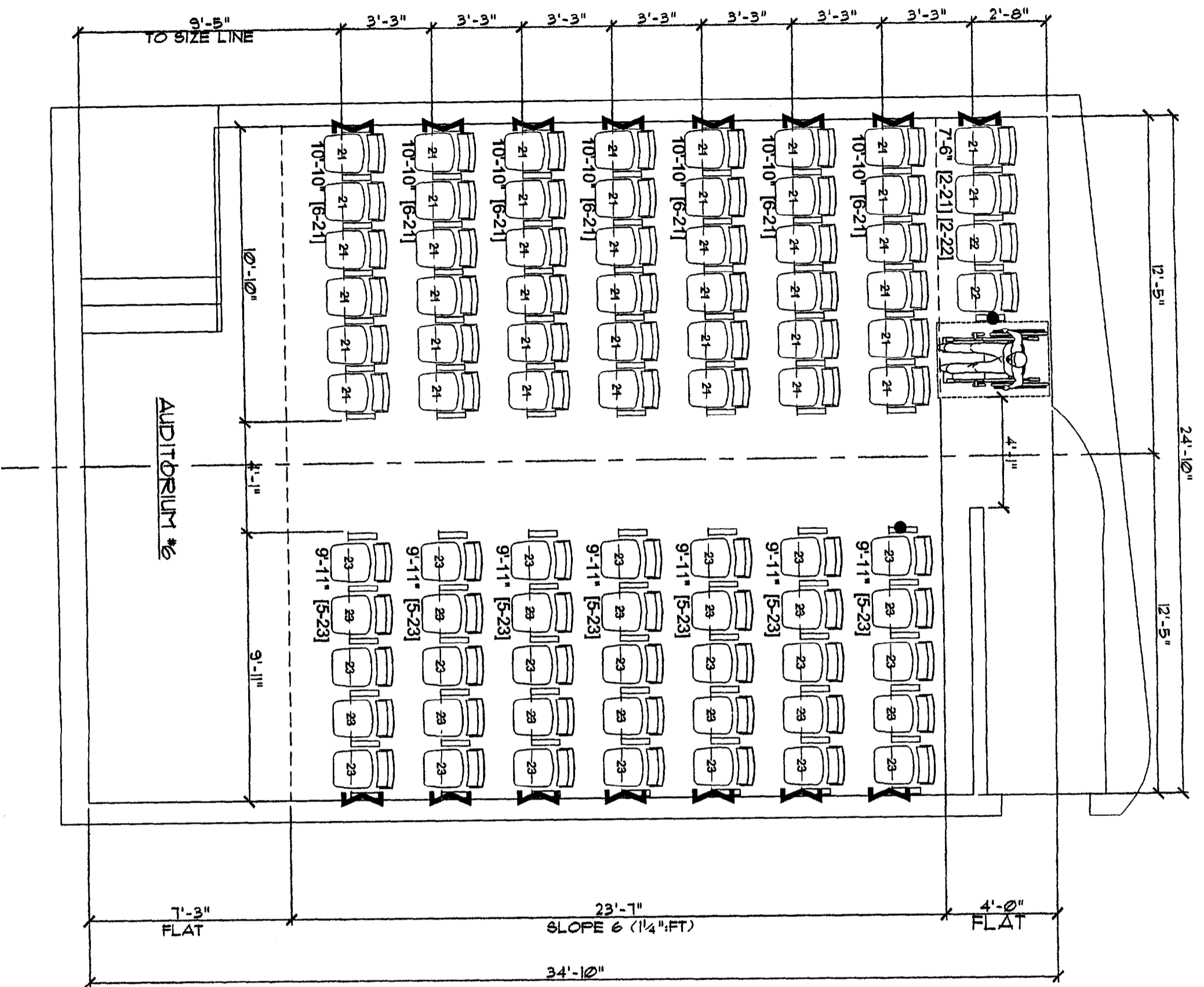
- INDICATES RETRACTABLE ANTIREST (2)
- ⌋ INDICATES WALL STANDARD (18)

**CHAIR SUMMARY :**

AUDITORIUM	BX-208 PREMIER				TOTAL	ROWS
	21"	22"	23"	24"		
5	31	12	4	15	15	15
SLOPE	BX-208 PREMIER				TOTAL	ROWS
	21"	22"	23"	24"		
6	32	12	0	104	16	2

**SEATING CONCEPTS LLC**  
 225 HANCOCK STREET - SUITE 202, CLIFTON, NJ 07013  
 TEL: 908 481-8381 • www.seatingconcepts.com • FAX: 908 481-5122

**PATRIOT CINEMAS**  
 PORTLAND, ME  
 SEATING LAYOUT, AUD 5  
 DATE: NOVEMBER 17, 2003  
 DRAWN BY: H. GONZALEZ  
 CHECKED BY: H. GONZALEZ  
 SCALE: 1/4" = 1'-0"  
 PROJECT NO.: PENDING  
 SHEET NO.: 7



**GENERAL NOTES :**

1. PLANS DIAGRAMMATICALLY SHOW THE EXISTING CONDITIONS AND ARE NOT INTENDED TO GIVE COMPLETE OR DETAILED INFORMATION. FIELD VERIFY WHERE CRITICAL FOR THE INSTALLATION OF NEW SEATING.
2. FIELD CHECK ALL DIMENSIONS, SLOPES, CLEARANCES AND LOCATIONS FOR ADA ACCESSIBILITY, AND AS REQUIRED FOR THE PROPER MANUFACTURING OF NEW SEATING.
3. BUILDING CODES AS KNOWN TO SEATING CONCEPTS, LLC HAVE BEEN CONSIDERED IN PREPARING THIS PLAN. HOWEVER, VERIFICATION OF COMPLIANCE TO LOCAL BUILDING CODES IS THE SOLE RESPONSIBILITY OF THE CUSTOMER OR ARCHITECT.

**KEYNOTES :**

- LAYOUT WAS CREATED FROM A HARCOPY PROVIDED BY THE CLIENT. FIELD VERIFY ALL DIMENSIONS FOR ACCURACY.

**LEGEND :**

- INDICATES RETRACTABLE AIR-REST (2)
- ⌋ INDICATES WALL STANDARD (5)

**CHAIR SUMMARY :**

AUDITORIUM	BX-208 PREMIER			TOTAL	ROWS
	21"	22"	23"		
6	44	2	35	81	5
SLOPE	BX-208 PREMIER			TOTAL	ROWS
	21"	22"	23"		
0	2	2	0	4	1
6	42	0	35	77	14

**SEATING CONCEPTS LLC**  
 ARCHITECTURAL, CONSULTING AND DESIGN SERVICES  
 220 HANCOCK STREET - SUITE 200, PORTLAND, ME 04101  
 TEL: 603.883.3388 - WWW.SEATINGCONCEPTS.COM - FAX: 603.883.3372

**PATRIOT CINEMAS**  
 111 GONZALEZ  
 PORTLAND, ME  
 SEATING LAYOUT - AUD. 6  
 SCALE: 1/4" = 1'-0"  
 DATE: NOVEMBER 17, 2015  
 DRAWN BY: 8  
 CHECKED BY: 8