

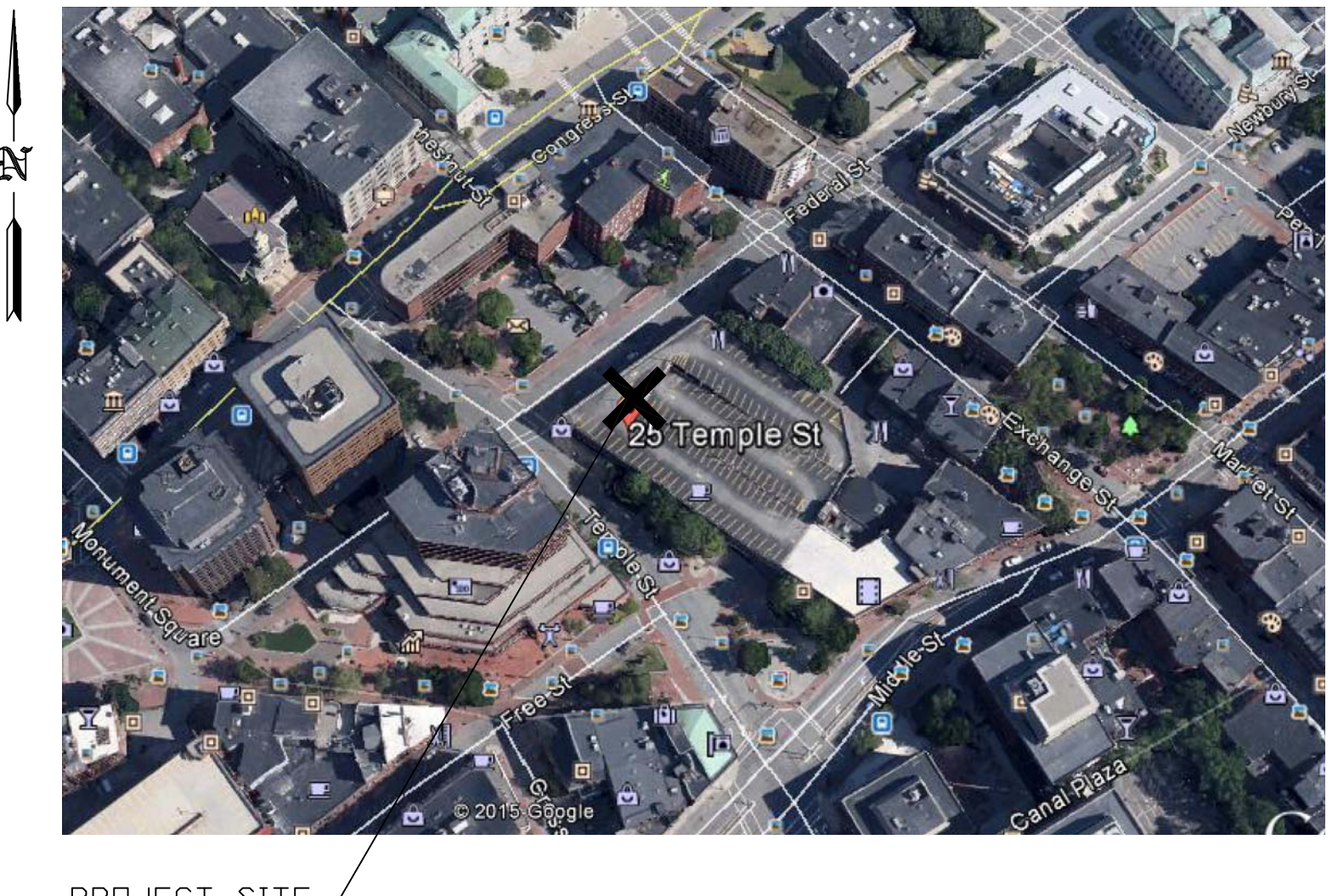
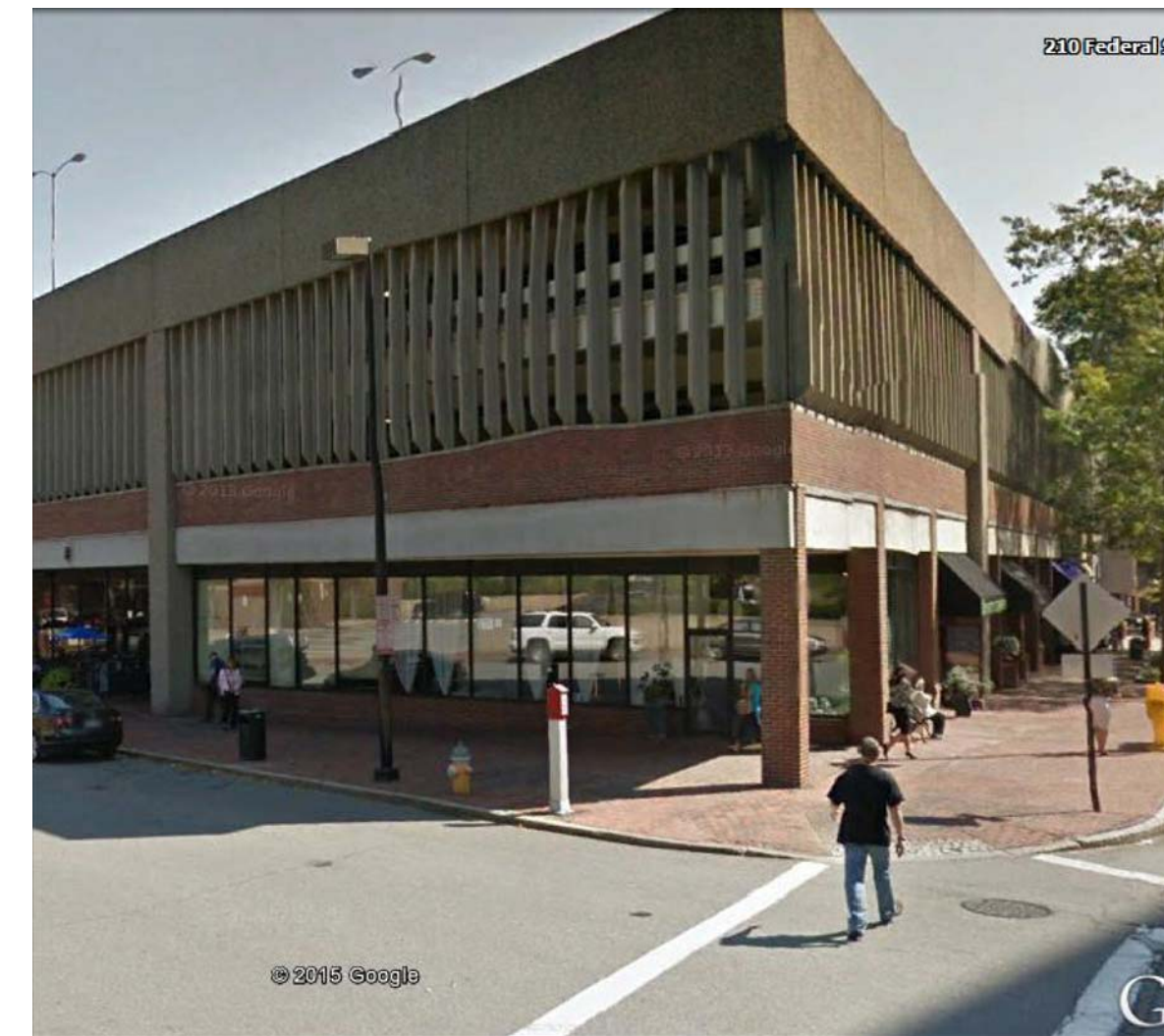
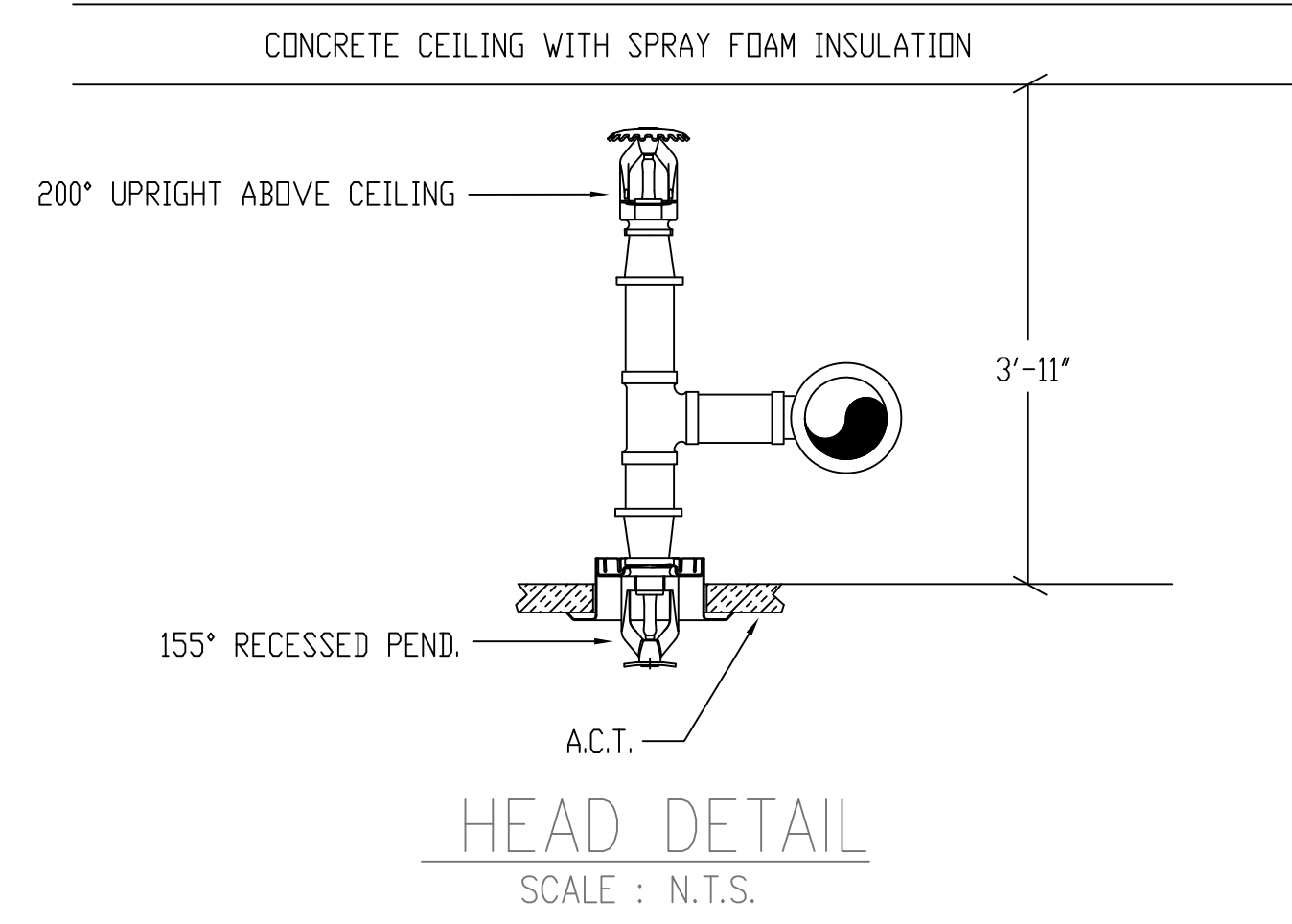
PROJECT INFORMATION:
SCOPE:
 The fire protection project consists of providing an NFPA 13 wet sprinkler system to protect the Temple Street Music Venue.

WATER SUPPLY:
 The system water supply is fed by city water with a 6" underground water main. A 4" storz FDC will be installed for use by the Fire Department.

CONSTRUCTION TYPE:
 Construction type is "Wood construction with g.w.b. and a.c.t."

CODE REFERENCES:
 NFPA 13 Wet Sprinkler System

SPRINKLER SYSTEM NOTES:
 * DESIGN AND INSTALLATION SHALL CONFORM TO N.F.P.A. #13 & LOCAL CODES.
 * HANGER INSTALLATION AND SPACING SHALL BE IN ACCORDANCE WITH N.F.P.A. #13
 * ALL EQUIPMENT TO BE UL LISTED FOR FIRE PROTECTION USE.
 * FIELD FOREMAN TO VERIFY LOCATION OF HIGH TEMPERATURE SPRINKLERS AND INSTALL HIGH TEMPERATURE SPRINKLERS IN ACCORDANCE WITH N.F.P.A. #13
 * IF REQUIRED, SLEEVES THROUGH WALLS AND FLOORS SHALL BE SCH. 10 LW, GALVANIZED AND PACKED WITH NONCOMBUSTIBLE, SMOKE PROOF, AND WATERPROOF FIRE SEALANT.
 * THE OWNER SHALL HEAT THE BUILDING SO THAT THE WATER FILLED PIPE WILL NOT FREEZE.



Contractor:
FPSS
 Fire Protection Sprinkler Services

278 HARRIS RD
 MINOT, ME 04258
 PHONE: 207-393-7422
 CONTRACTOR # 903

SPECIAL APPLICATIONS:
 NO. DESCRIPTION:
 1. SPRINKLER SYS. WILL BE MONITORED.

"RELIABLE" F1FR56 QUICK RESPONSE SPRINKLER
 23 155" 5.6

1/2" BRASS UPRIGHT & 1/2" WHITE REC. PENDENT
 15'X15' FT SPACING

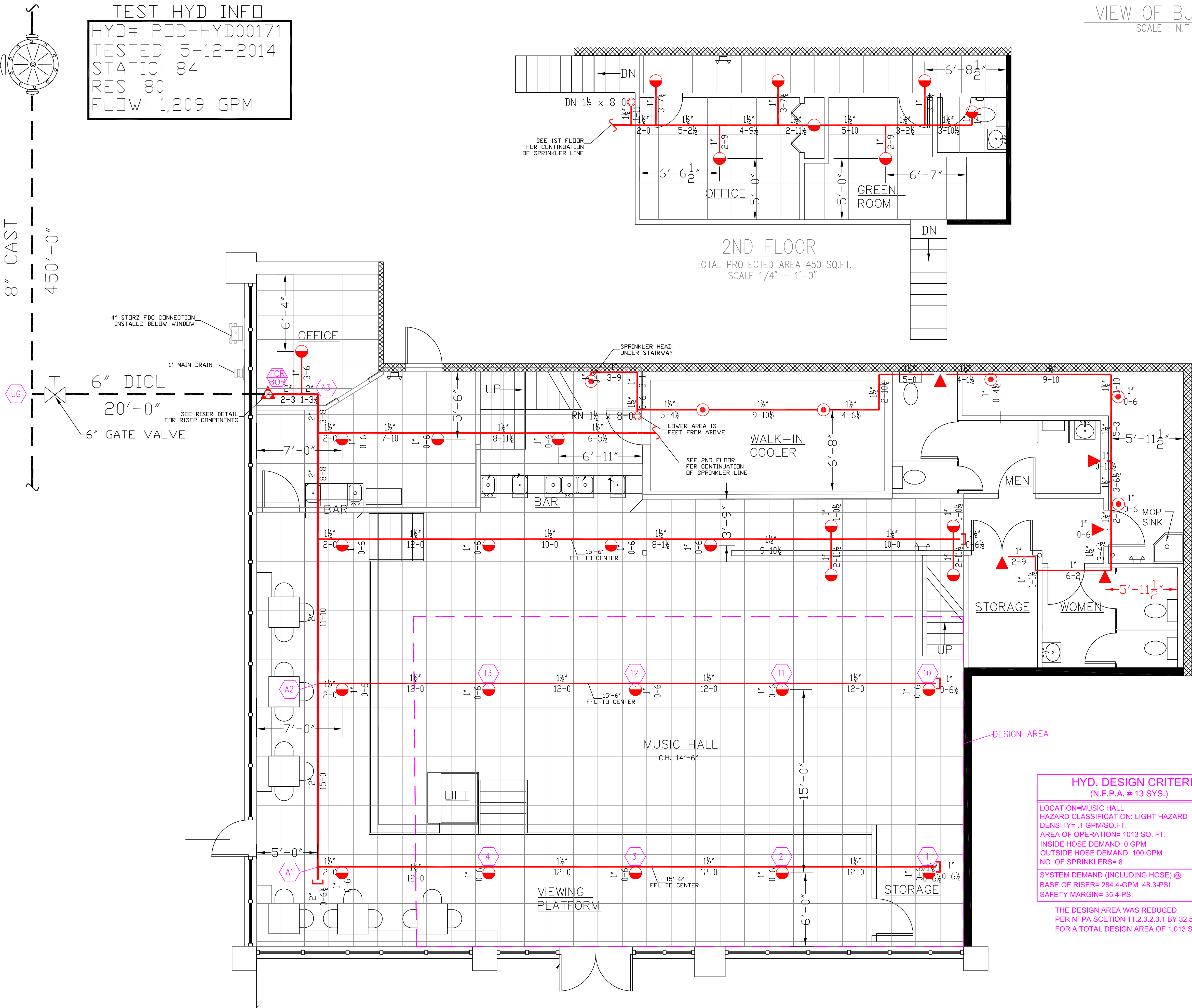
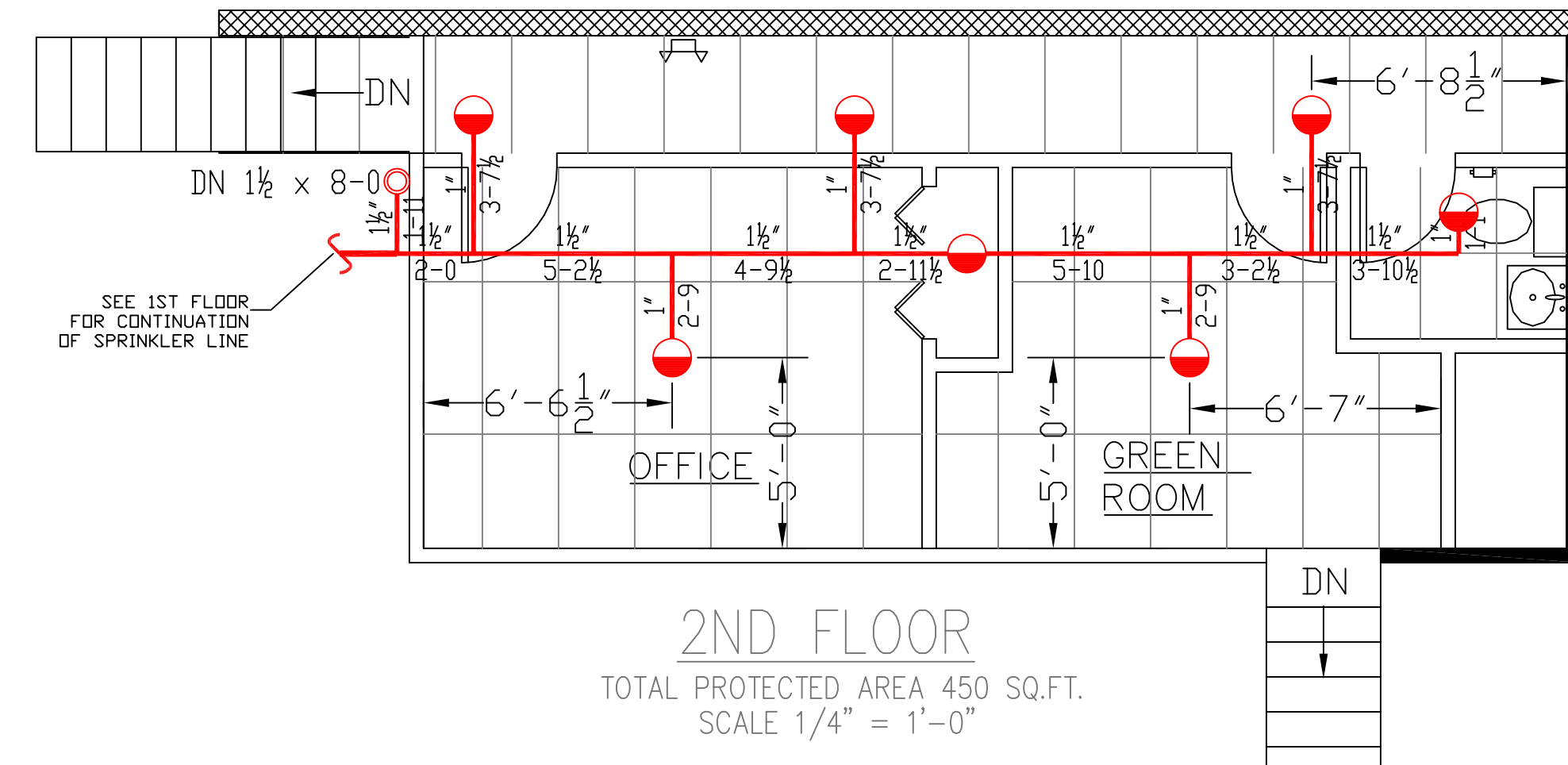
"RELIABLE" F1FR56 QUICK RESPONSE SPRINKLER
 6 155" 5.6

1/2" WHITE REC. PENDENT
 15'X15' FT SPACING

"RELIABLE" F1FR56 QUICK RESPONSE SPRINKLER
 5 155" 5.6

1/2" WHITE SIDE WALL
 14'X14' FT SPACING

TEST HYD INFO
 HYD# POD-HYD00171
 TESTED: 5-12-2014
 STATIC: 84
 RES: 80
 FLOW: 1,209 GPM

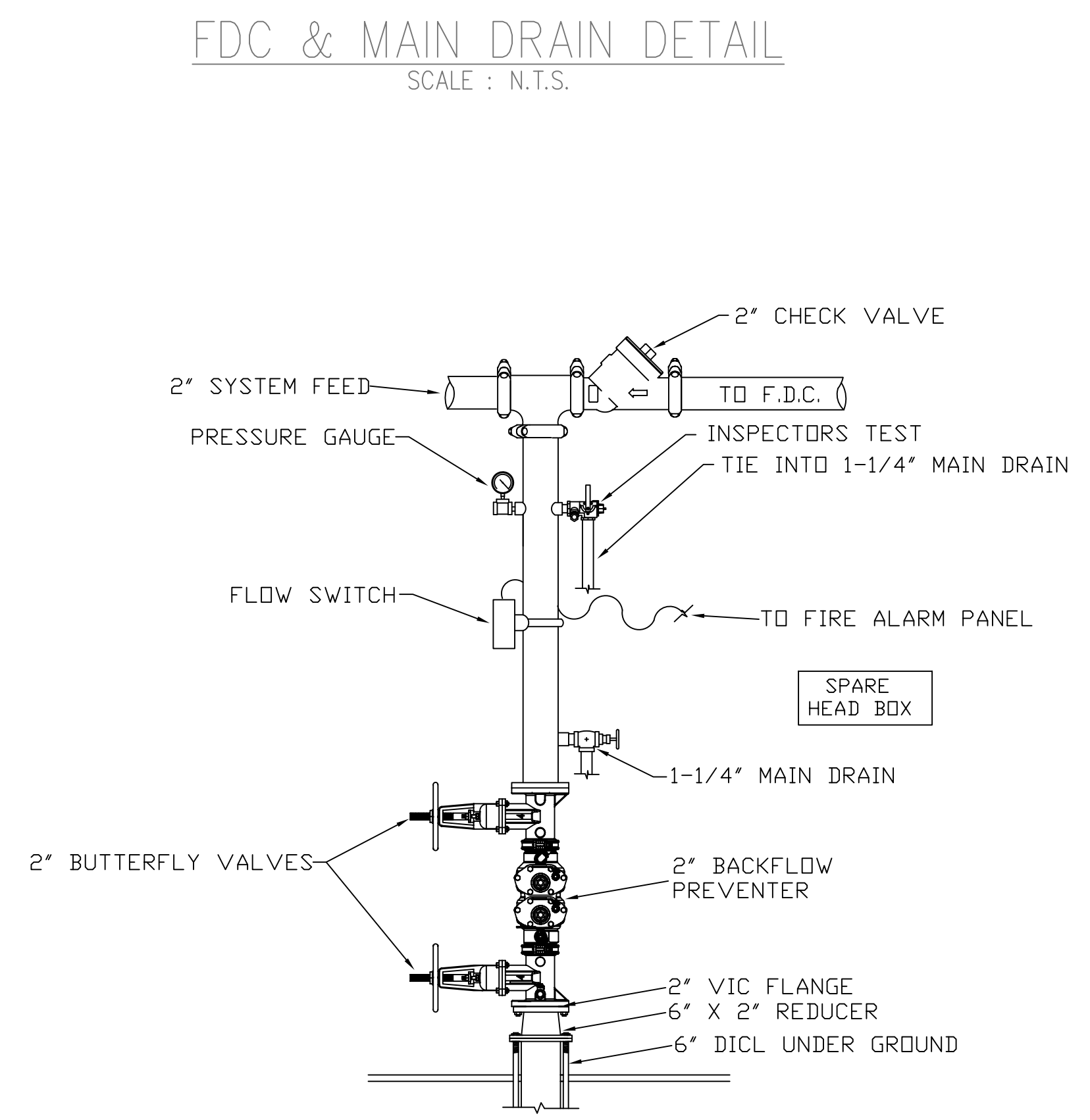
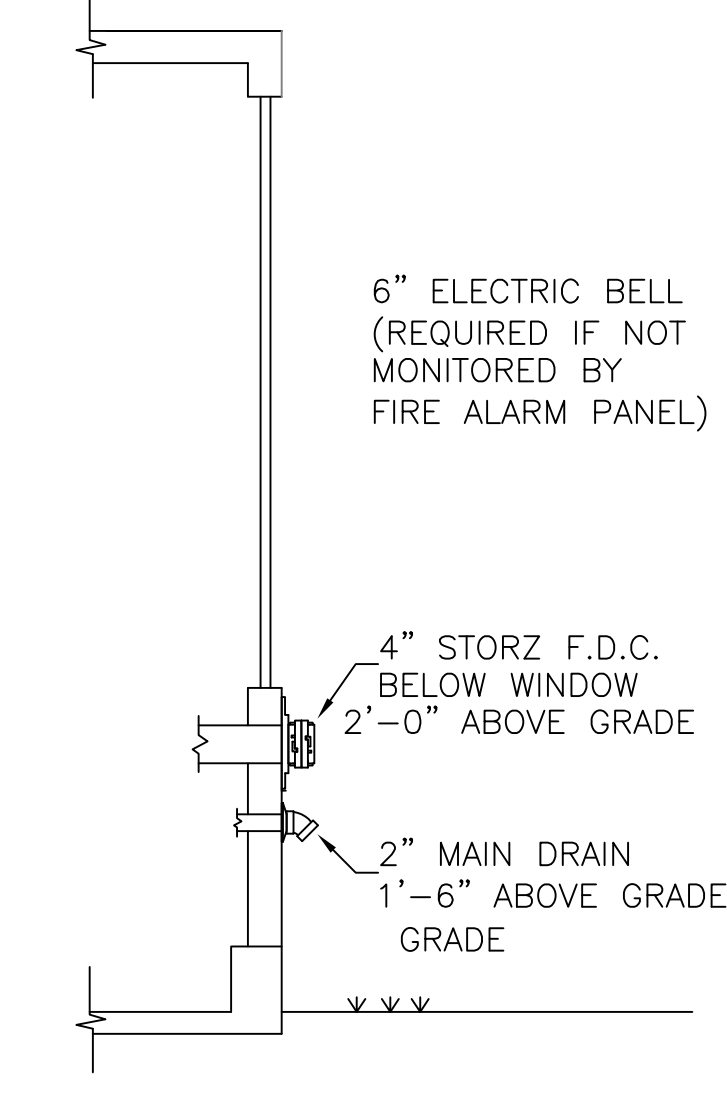


HYD. DESIGN CRITERIA
 (N.F.P.A. # 13 SYS.)

LOCATION=MUSIC HALL
 HAZARD CLASSIFICATION: LIGHT HAZARD
 DENSITY= 1 GPM/SQ.FT.
 AREA OF OPERATION= 1013 SQ. FT.
 INSIDE HOSE DEMAND: 0 GPM
 OUTSIDE HOSE DEMAND: 100 GPM
 NO. OF SPRINKLERS= 8

SYSTEM DEMAND (INCLUDING HOSE) @
 BASE OF RISER= 284.4-GPM 48.3-PSI
 SAFETY MARGIN= 35.4-PSI

THE DESIGN AREA WAS REDUCED PER NFPA SECTION 11.2.3.2.1 BY 32.5% FOR A TOTAL DESIGN AREA OF 1,013 SQ. FT.



TOTAL # OF HEADS = 34

LEGEND:
 SYSTEM RISER
 HYDRAULIC CALC. POINT
 PROPOSED PIPING
 HYD. DESIGN AREA
 PIPE RISER UP
 PIPE RISER DOWN

Project:
 TEMPLE STREET MUSIC VENUE

CONTACT PERSON:
 KEN BELL
 CELL: 400-928-1983
 EMAIL: KBELL@HOSPITALITY.COM

NFPA 13 WET SPRINKLER SYS.

Project/Contract no.:

Scale: SCALE 1/4"=1'-0"

Drawn by: TIMOTHY FORTIN
 RMS # 866
 NICET LEVEL III CERT. # 122193

Date: MARCH 31, 2015

Approval by:
 STATE OF MAINE
 CITY OF PORTLAND

LOCATION:
 25 TEMPLE ST.
 PORTLAND MAINE 04101

SHEET NUMBER
FP-1
 OF 1