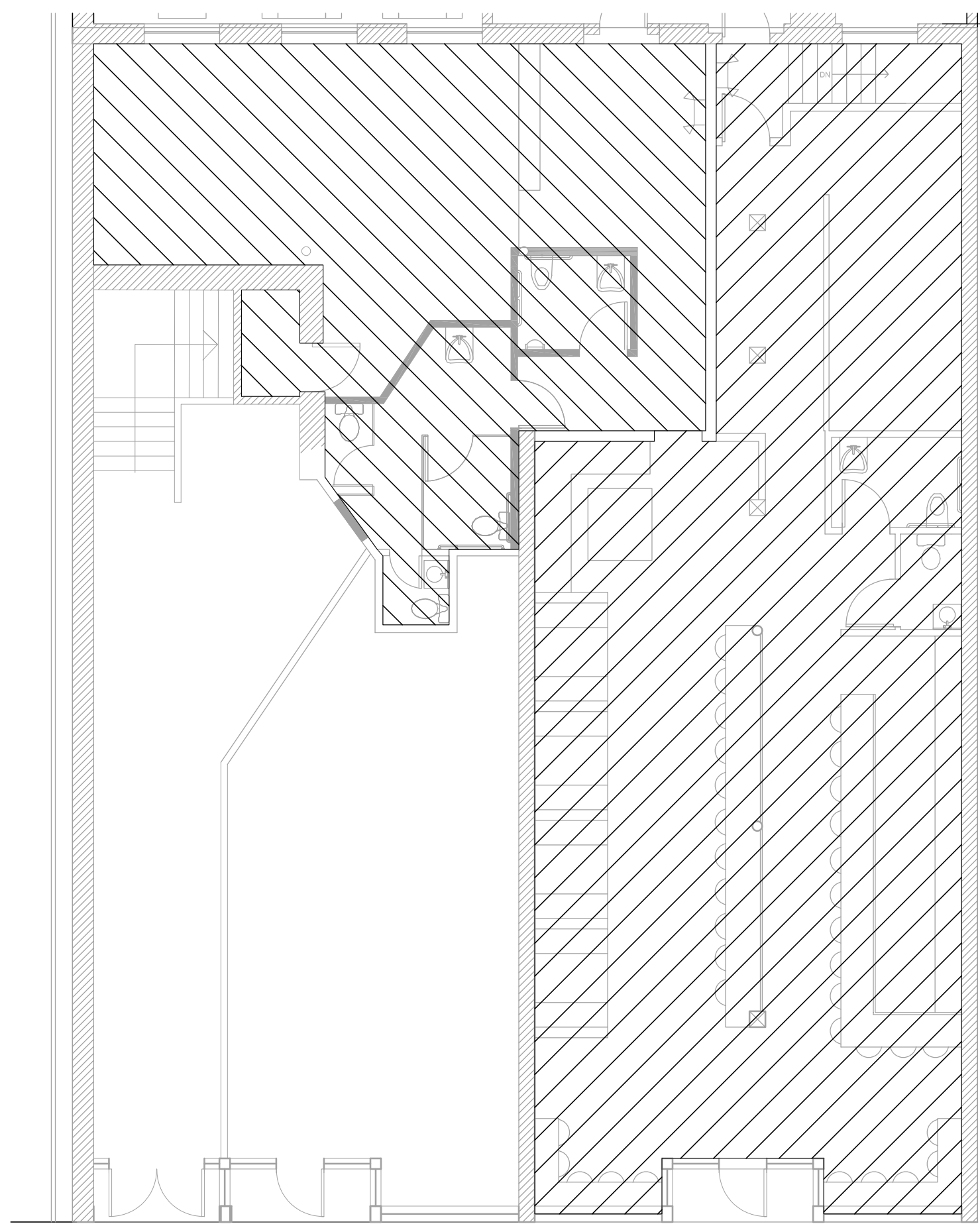
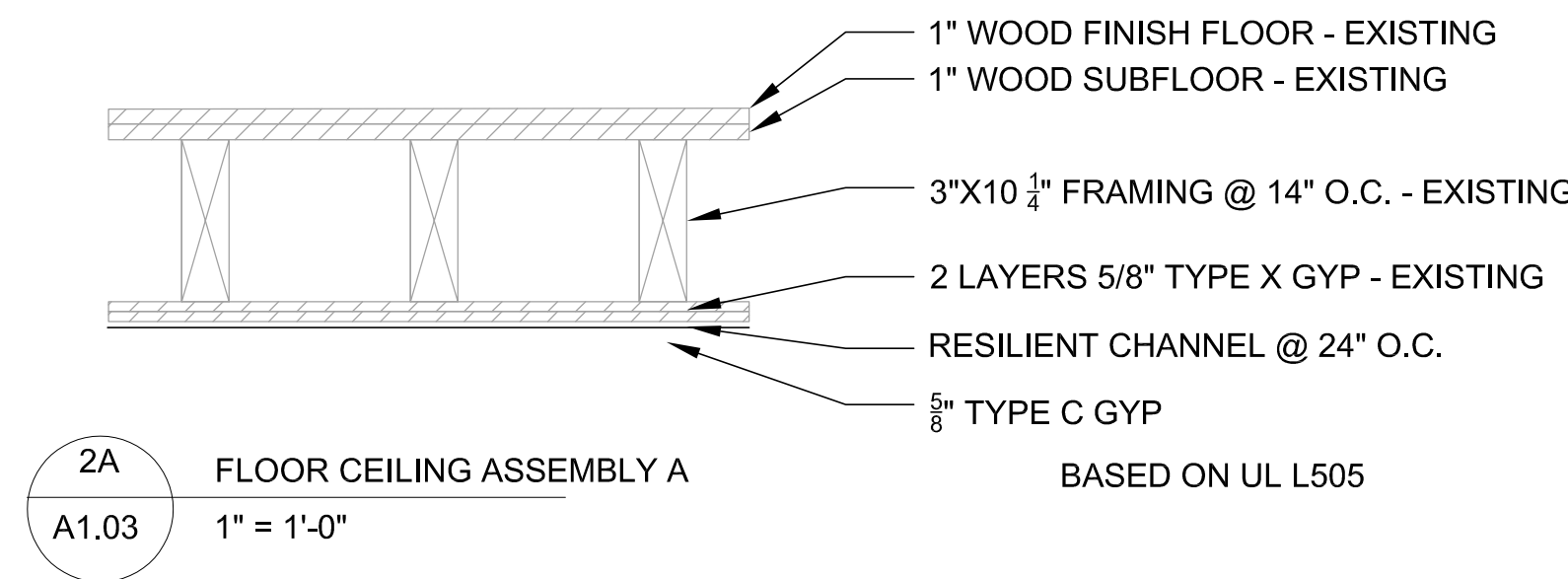




Reviewed for Code Compliance  
 Permitting and Inspections Department  
 Approved with Conditions  
 01/04/2019

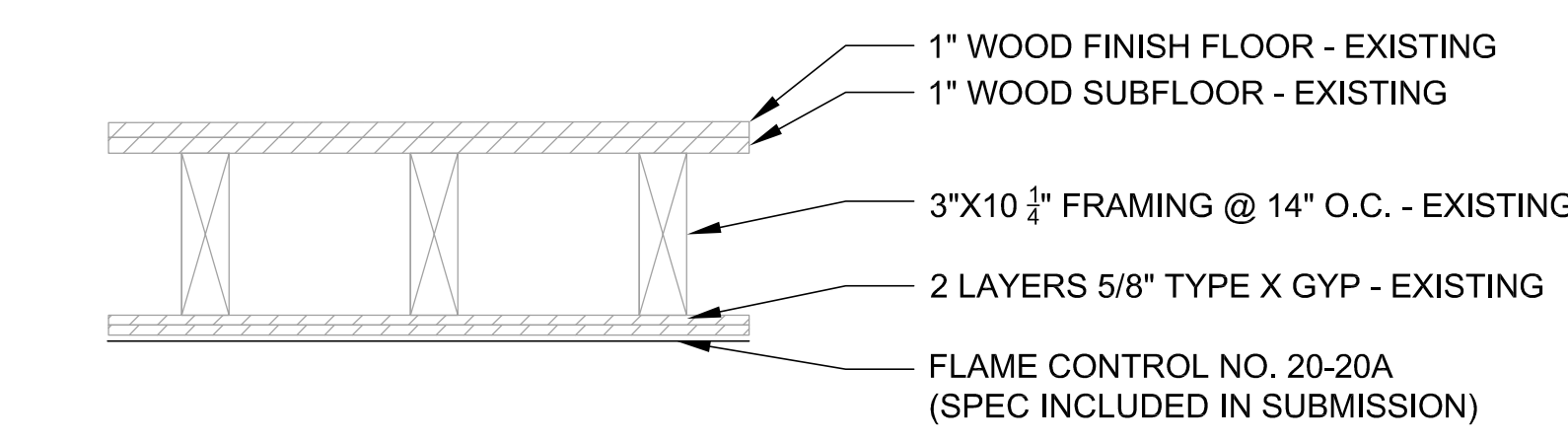


FLOOR/CEILING A  
 CEILING B



2A FLOOR CEILING ASSEMBLY A  
 A1.03 1" = 1'-0"

BASED ON UL L505



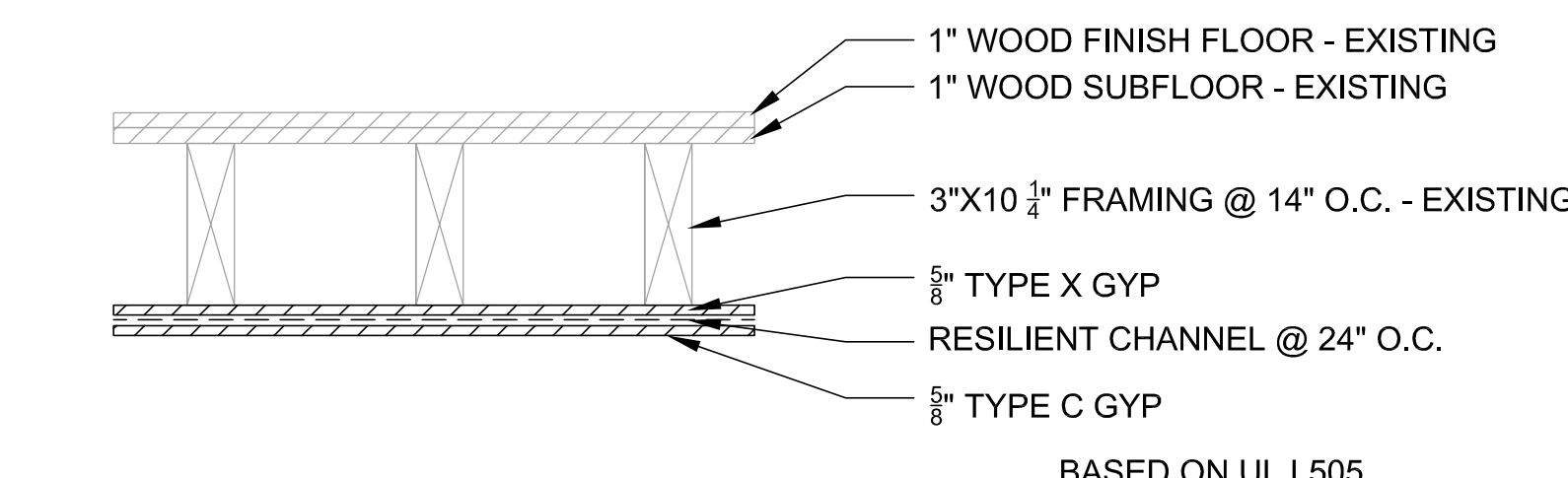
2B ALTERNATE FLOOR CEILING ASSEMBLY A  
 A1.03 1" = 1'-0"

FIRE ASSEMBLY CALCULATED PER CAM METHOD  
 BY AMERICAN WOOD COUNCIL  
 EXIST FRAMING - 10 MIN  
 EXIST GYP - 2(40 MIN) = 80 MIN  
 FLAME CONTROL PAINT - 30 MIN  
 TOTAL - 2 HRS

PAINT TO BE APPLIED BY VAN DE GRAAF PAINTING  
 THIRD PARTY REVIEW TO BE DONE BY S.W. COLE

AT ANY PENETRATION NOT ALREADY TREATED WITH  
 2 HR FIRE CAULK, 3M FIRE BARRIER SEALANT CP 25WB  
 TO BE USED. SPEC INCLUDED WITH SUBMISSION.

1 CEILING PLAN  
 A1.03 1/8" = 1'-0"



3 FLOOR/CEILING ASSEMBLY B  
 A1.03 1" = 1'-0"

BASED ON UL L505

AMENDMENT TO BUILDING PERMIT 2018-00125

A1.03	Date: 5-15-18	Scale: AS NOTED	Revisions:	Project:	Architect:	Consultant:	Prepared For:
	CEILING PLAN & FLOOR-CEILING ASSEMBLY			7-6-18 RESPONSE TO BLDG INSPECTIONS	HIGHROLLER LOBSTER CO	ARCHETYPE	
				7-10-18 RESPONSE TO BLDG INSPECTIONS			
				104 EXCHANGE ST, PORTLAND ME	48 Union Wharf Portland, Maine 04101 (207) 772-6022 Fax (207) 772-4056		

