

**EXHAUST FAN INFORMATION - Job#2656724**

FAN UNIT NO.	TAG	FAN UNIT MODEL #	CFM	ESP.	RPM	HP.	BHP.	Ø	VOLT	FLA	WEIGHT (LBS.)	SDNES
1	UPBLAST	EABDU24HP	4950	1.750	1112	3.000	2.4580	1	208	18.7	307	22

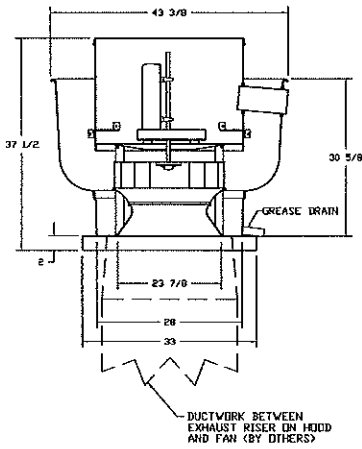
**FAN OPTIONS**

FAN UNIT NO.	TAG	OPTION (Qty. - Descr)
1	UPBLAST	1 - Grease Box
		1 - 3 Year Extended Motor Warranty
		1 - Extra Set of Belts
		1 - Fan Base Ceramic Seal - For Grease Ducts
		1 - Hinge Kit (HD) - Ships Loose for Curb Supplied by Others

**FAN ACCESSORIES**

FAN UNIT NO.	TAG	EXHAUST				SUPPLY		
		GREASE CUP	GRAVITY DAMPER	WALL MOUNT	SIDE DISCHARGE	GRAVITY DAMPER	MOTORIZED DAMPER	WALL MOUNT
1	UPBLAST	YES						

FAN #1 EABDU24HP - EXHAUST FAN (UPBLAST)



**FEATURES:**

- REEF HEATED FANS
- RESTAURANT MODEL
- UL705 AND UL762
- AICA SOUND AND AIR CERTIFIED
- WIRING FROM MOTOR TO DISCONNECT SWITCH
- WEATHERPROOF DISCONNECT
- HIGH HEAT OPERATION 300°F (149°C)
- GREASE CLASSIFICATION TESTING

**NORMAL TEMPERATURE TEST**  
EXHAUST FAN MUST OPERATE CONTINUOUSLY WHILE EXHAUSTING AIR AT 300°F (149°C) UNTIL ALL FAN PARTS HAVE REACHED THERMAL EQUILIBRIUM, AND WITHOUT ANY DEGRADATING EFFECTS TO THE FAN WHICH WOULD CAUSE UNSAFE OPERATION.

**ABNORMAL FLARE-UP TEST**  
EXHAUST FAN MUST OPERATE CONTINUOUSLY WHILE EXHAUSTING BURNING GREASE VAPORS AT 600°F (316°C) FOR A PERIOD OF 15 MINUTES WITHOUT THE FAN BECOMING DAMAGED TO ANY EXTENT THAT COULD CAUSE AN UNSAFE CONDITION.

**OPTIONS**

- GREASE BOX
- 3 YEAR EXTENDED MOTOR WARRANTY
- EXTRA SET OF BELTS
- FAN BASE CERAMIC SEAL - FOR GREASE DUCTS
- HINGE KIT (HD) - SHIPS LOOSE FOR CURB SUPPLIED BY OTHERS

**CUSTOMER APPROVAL TO MANUFACTURE:**

Approved as Noted

Approved with No Exception Taken

Revise and Resubmit

SIGNATURE \_\_\_\_\_

Your Title \_\_\_\_\_ Date \_\_\_\_\_



JOB#Portland Meatball Co	
LOCATION Lewiston, ME.	
DATE 6/16/2016	JOB # 2656724
DWG # 4	DRAWN BY BFC-21
REV.	SCALE 3/8" = 1'-0"