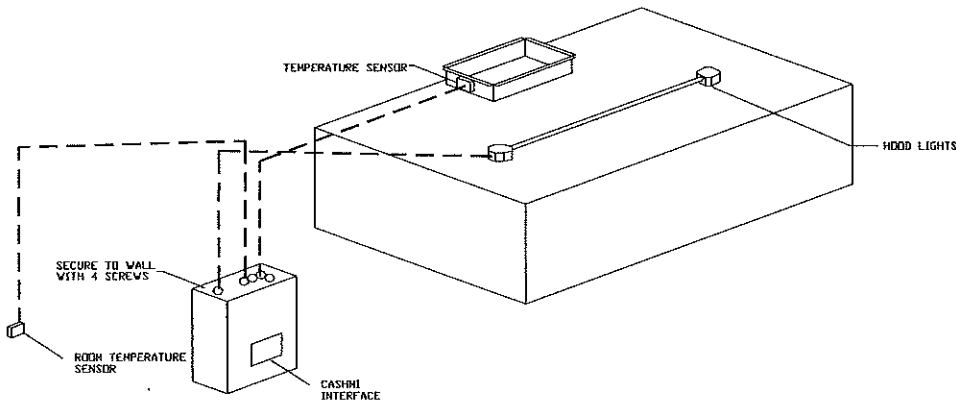


ELECTRICAL PACKAGES -- Job#2656724

NO.	TAG	PACKAGE #	LOCATION	SWITCHES		OPTION	FANS CONTROLLED					
				LOCATION	QUANTITY		FAN TAG	TYPE	T	HP.	VOLY	FLA.
1		SC-210110FP	Wall Mount In SS Box	SS Wall Mount Box	1 Light 1 Fan	Smart Controls Thermostatic Control	UPBLAST	Exhaust	1	3,000	208	18.7



WALL MOUNTED CONTROL CENTER

CUSTOMER APPROVAL TO MANUFACTURE:

Approved as Noted

Approved with HD Exception Taken

Revise and Resubmit

SIGNATURE _____

Your Title _____ Date _____

		JOB Portland Meatball Co	
		LOCATION Lewiston, ME,	
		DATE 6/16/2016	JOB # 2656724
		DWG # 7	DRAWN BY BFC-21
		REV.	SCALE 3/8" = 1'-0"