

**MARK MUELLER ARCHITECTS**  
A.I.A.  
100 Commercial Street  
Suite 205  
Portland, Maine 04101  
Phone: 207.774.9057  
Email: rfi@muellerarchitects.com

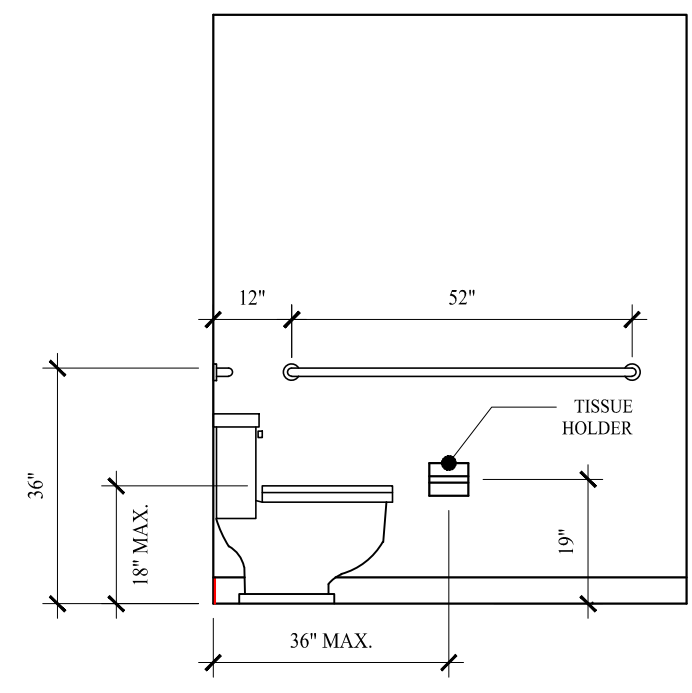
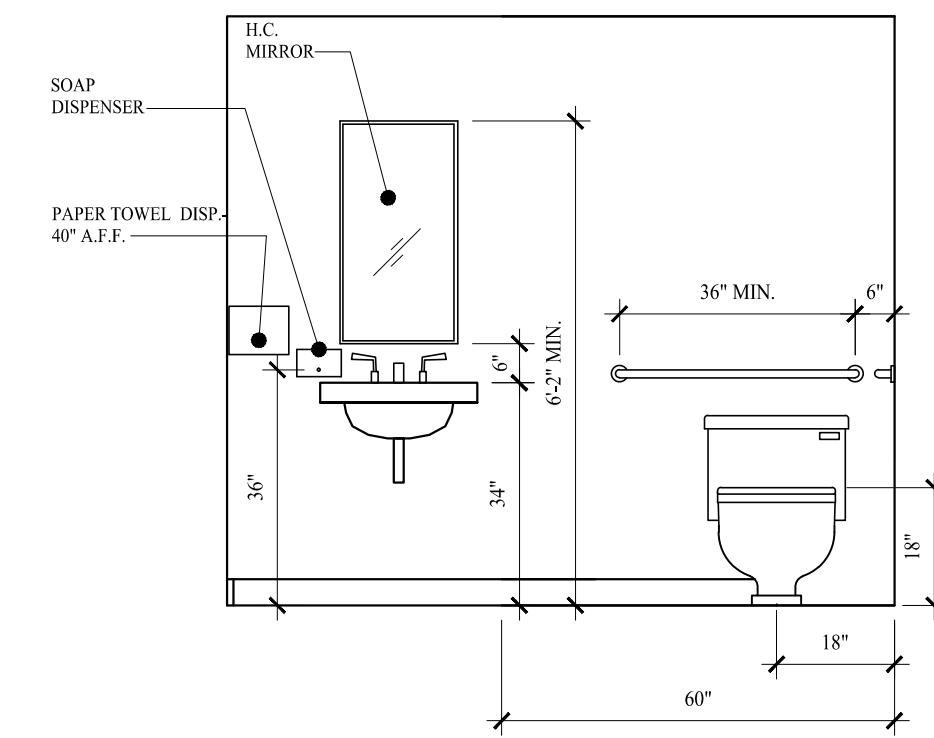
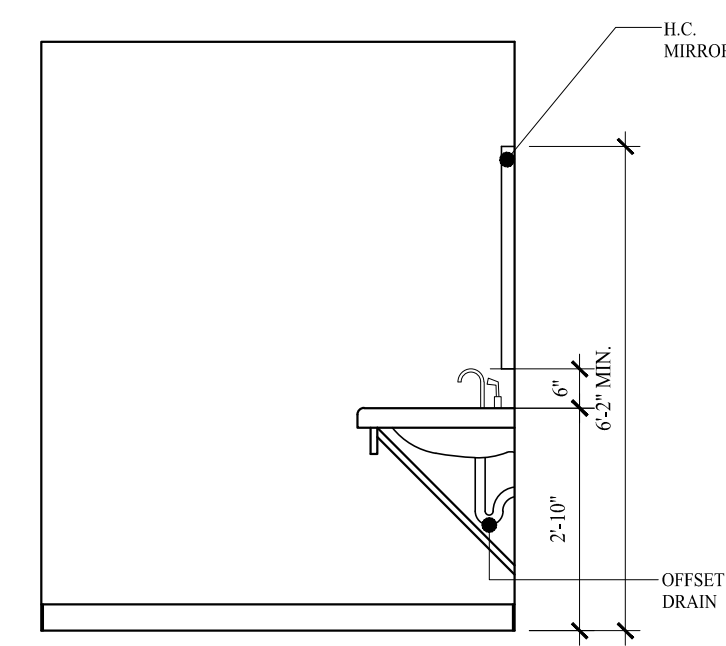
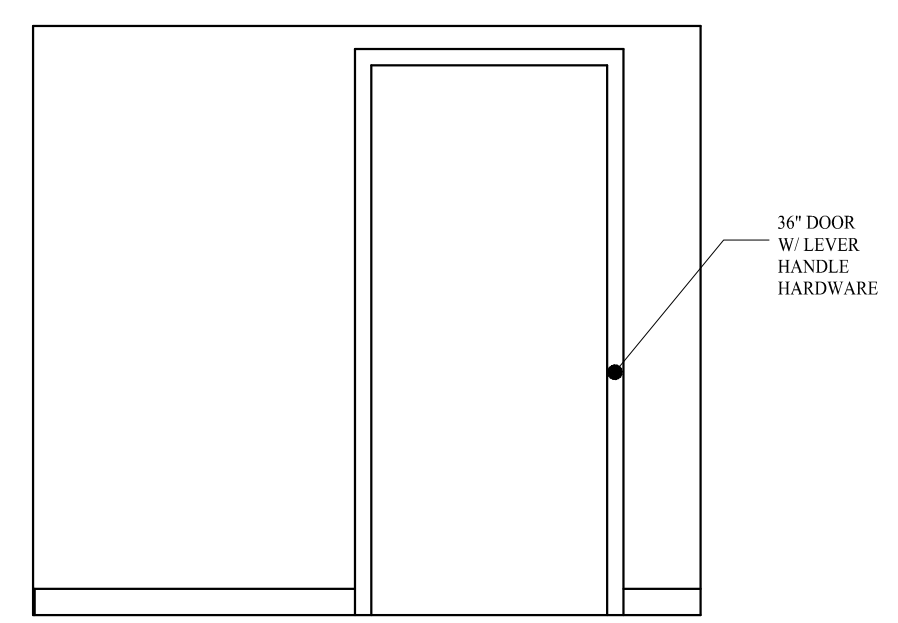
© COPYRIGHT 2014  
MARK MUELLER ARCHITECTS

Interior Tenant Renovations:  
**The Portland Meatball Company**  
104 EXCHANGE STREET  
PORTLAND, MAINE 04101

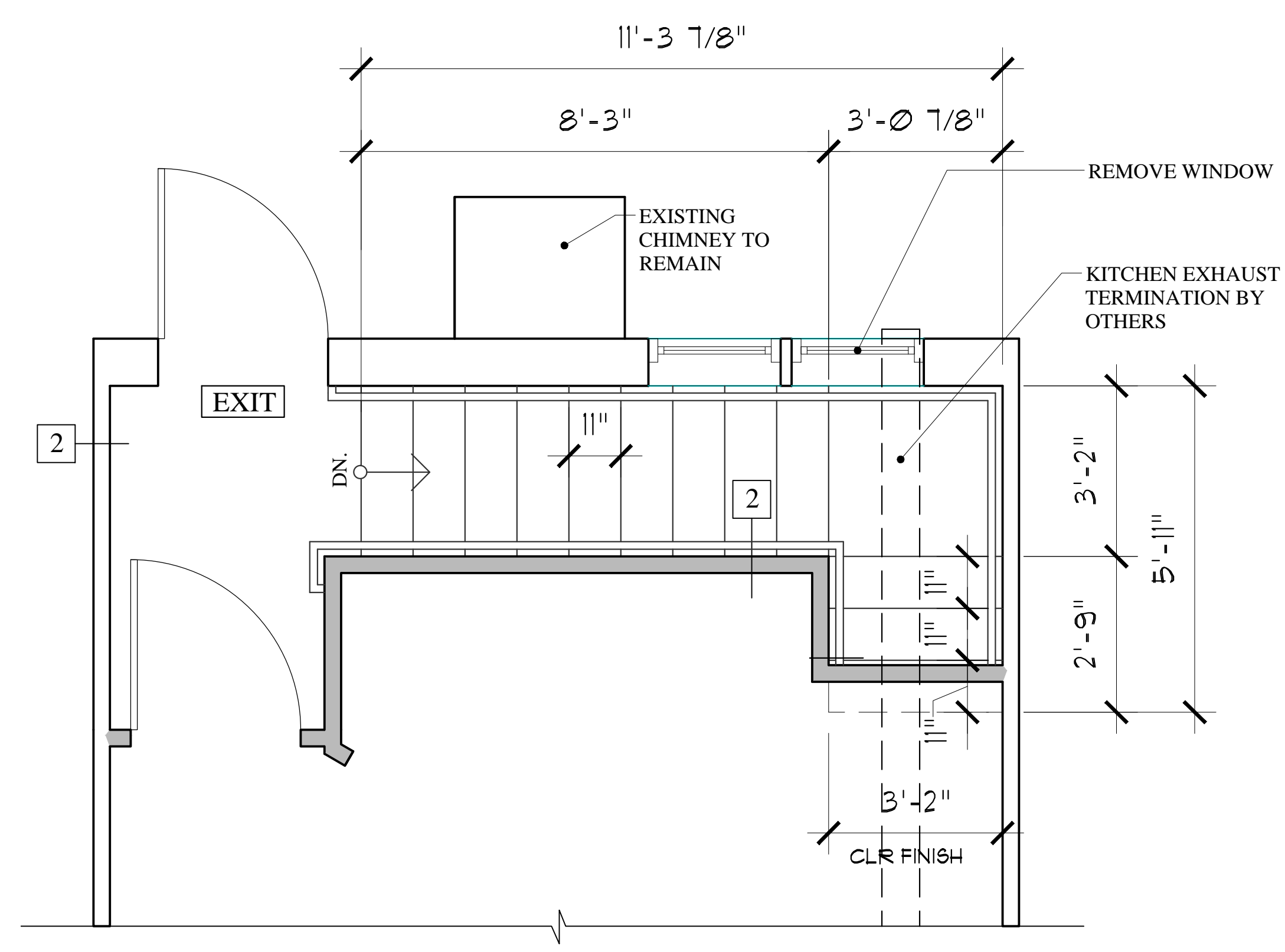
SEATING PLAN & DETAILS

REVISIONS  
DATE: DECEMBER 2015  
PROJECT: Portland Meatball Company  
DRAWN BY: JMcA  
CHECK BY: MAM

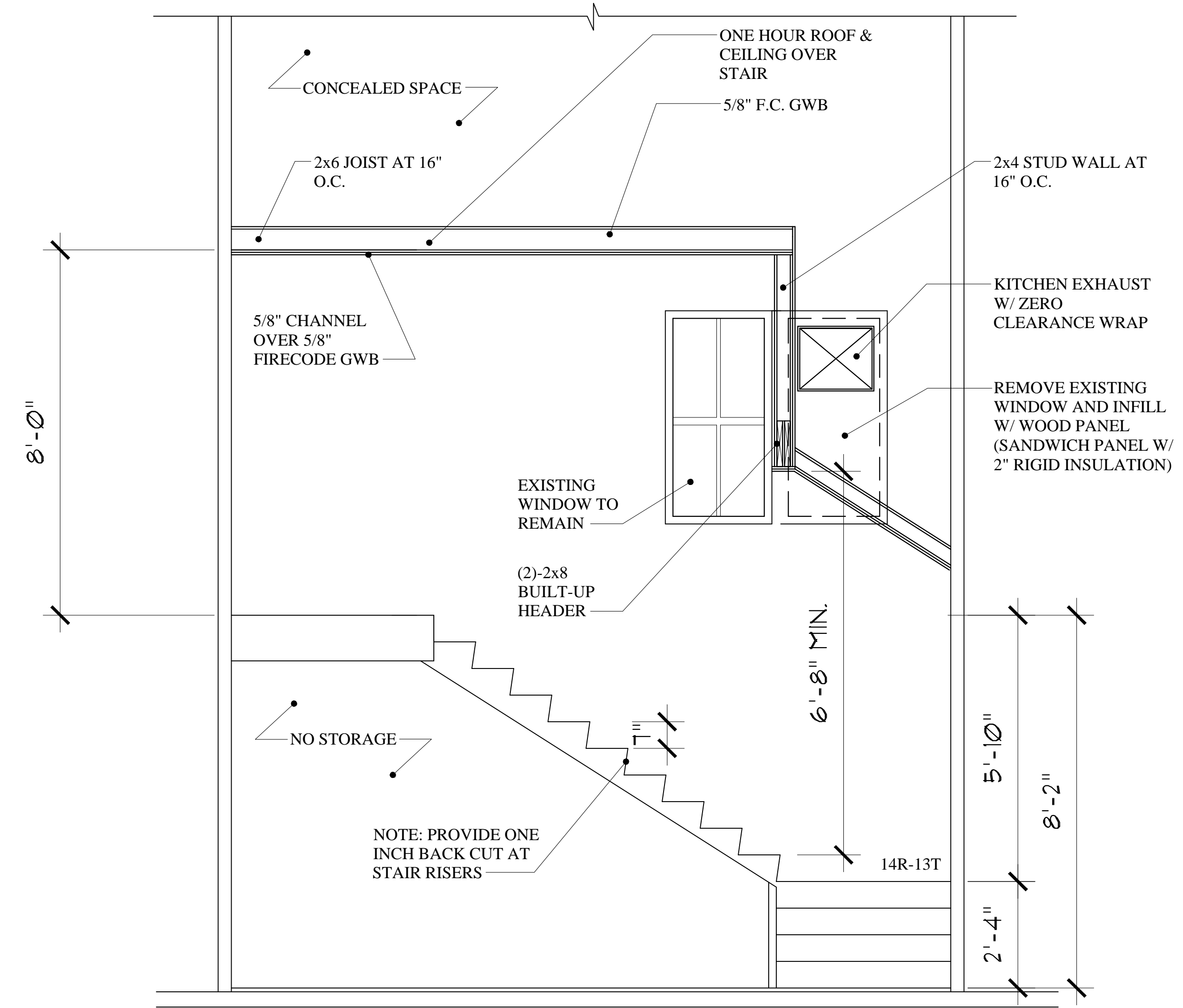
A-1.3



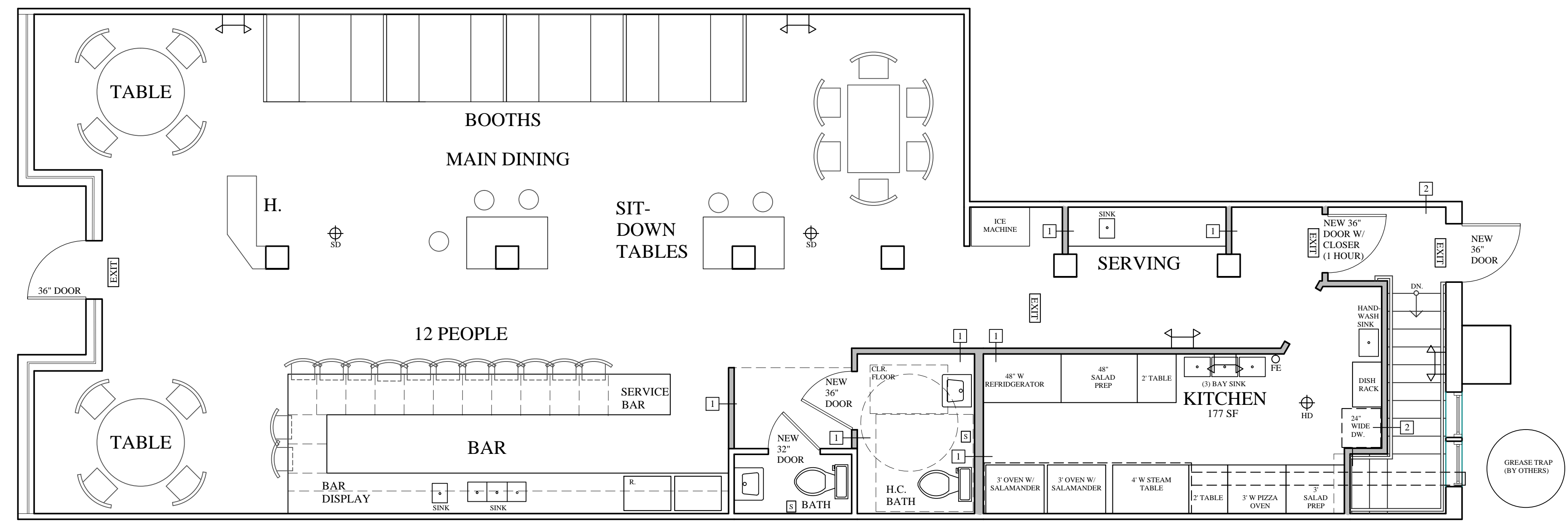
**ACCESSIBLE BATH FIXTURE LOCATIONS**



**STAIR PLAN**  
1/2" = 1'-0"



**STAIR SECTION**  
1/2" = 1'-0"



**SEATING PLAN**  
1/4" = 1'-0"

OCCUPANT LOAD: 49 PEOPLE

PERMIT SET: DECEMBER 23, 2015