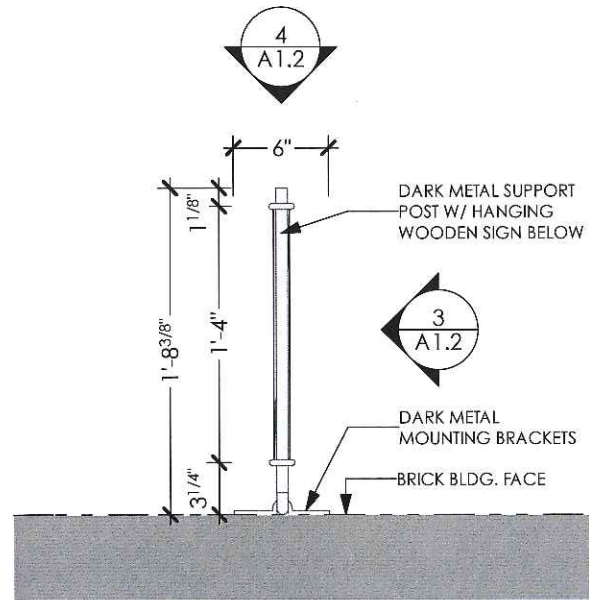
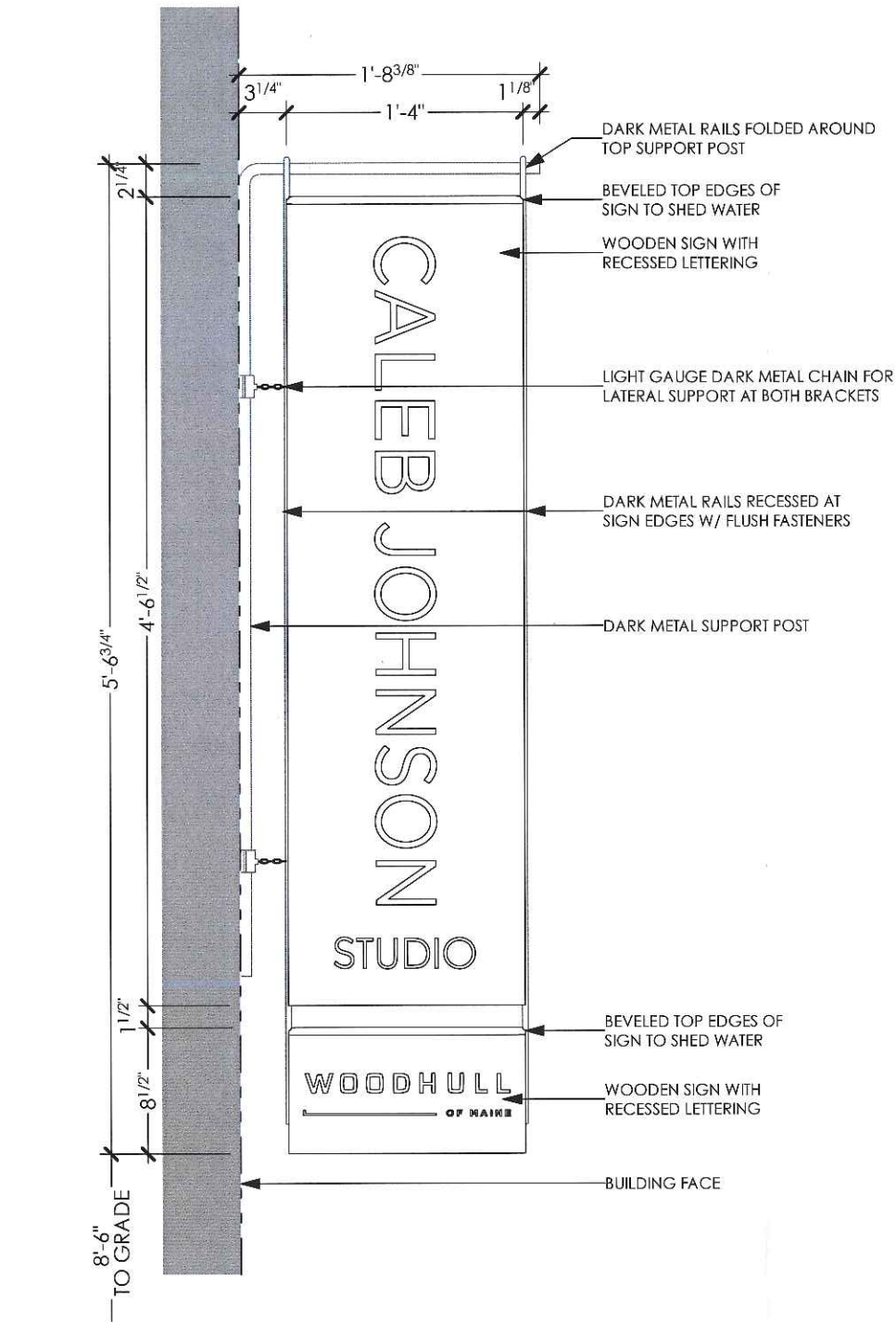


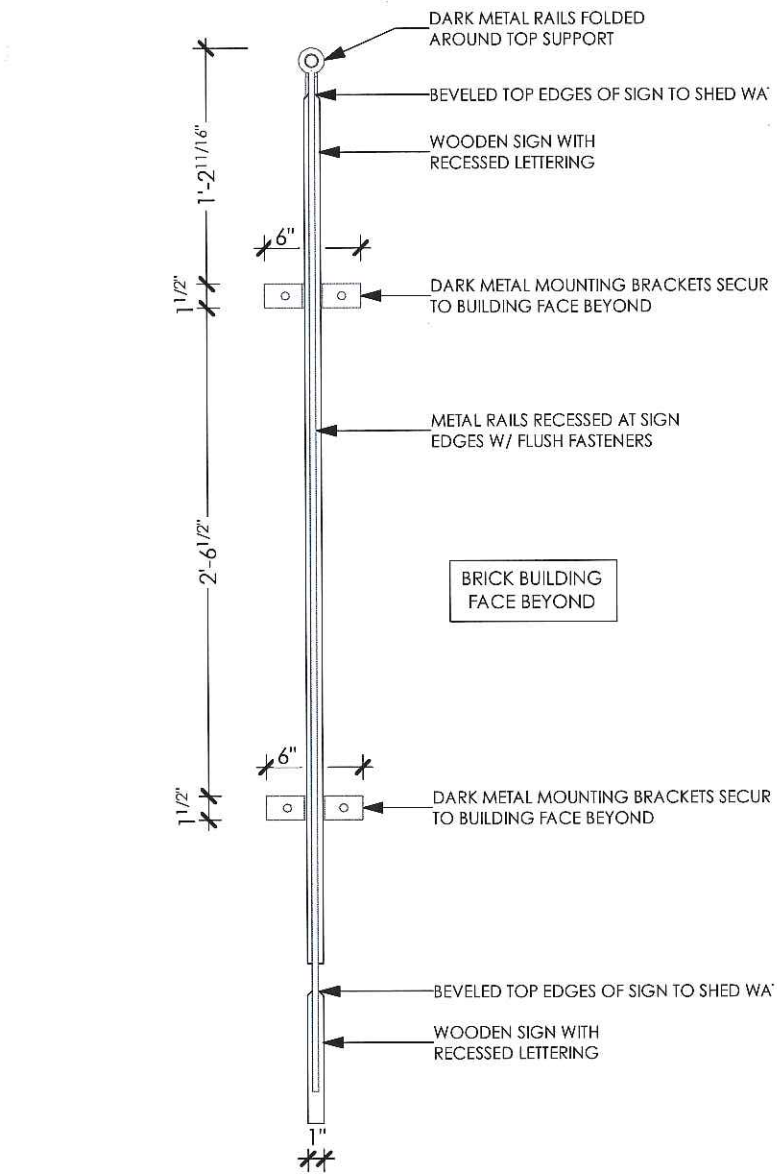
1 PROPOSED SIGN AXON
NOT TO SCALE



2 PROPOSED SIGN PLAN
SCALE: 1" = 1'-0"



3 EAST ELEVATION
SCALE: 1" = 1'-0"



4 NORTH ELEVATION
SCALE: 1" = 1'-0"