

DISPLAY THIS CARD ON PRINCIPAL FRONTAGE OF WORK



CITY OF PORTLAND

BUILDING PERMIT

This is to certify that ELSIE WHIDDEN

Located At 12 PINE ST

Job ID: 2012-09-4965-HVAC


CBL: 045-C-033-001

has permission to Carlin EZ Gas (component) heating system
provided that the person or persons, firm or corporation accepting this permit shall comply with all of the provisions of the Statutes of Maine and of the Ordinances of the City of Portland regulating the construction, maintenance and use of the buildings and structures, and of the application on file in the department.

Notification of inspection and written permission procured before this building or part thereof is lathed or otherwise closed-in. 48 HOUR NOTICE IS REQUIRED.

A final inspection must be completed by owner before this building or part thereof is occupied. If a certificate of occupancy is required, it must be

Fire Prevention Officer

 10/19/2012
Code Enforcement Officer / Plan Reviewer

THIS CARD MUST BE POSTED ON THE STREET SIDE OF THE PROPERTY
PENALTY FOR REMOVING THIS CARD

BUILDING PERMIT INSPECTION PROCEDURES

Please call 874-8703 or 874-8693 (ONLY)

or email: buildinginspections@portlandmaine.gov

With the issuance of this permit, the owner, builder or their designee is required to provide adequate notice to the city of Portland Inspections Services for the following inspections. Appointments must be requested 48 to 72 hours in advance of the required inspection. The inspection date will need to be confirmed by this office.

- **Please read the conditions of approval that is attached to this permit!! Contact this office if you have any questions.**
- **Permits expire in 6 months. If the project is not started or ceases for 6 months.**
- **If the inspection requirements are not followed as stated below additional fees may be incurred due to the issuance of a "Stop Work Order" and subsequent release to continue.**

Final Inspection

The project cannot move to the next phase prior to the required inspection and approval to continue, REGARDLESS OF THE NOTICE OF CIRCUMSTANCES.

IF THE PERMIT REQUIRES A CERTIFICATE OF OCCUPANCY, IT MUST BE PAID FOR AND ISSUED TO THE OWNER OR DESIGNEE BEFORE THE SPACE MAY BE OCCUPIED.



PORTLAND MAINE

Strengthening a Remarkable City, Building a Community for Life • www.portlandmaine.gov

Director of Planning and Urban Development
Jeff Levine

Job ID: 2012-09-4965-HVAC

Located At: 12 PINE ST

CBL: 045- C-033-001

Conditions of Approval:

Fire

1. Installation shall comply with City Code Chapter 10.
2. Fuel-fired boilers shall be protected in accordance with NFPA 101, *Life Safety Code*.
3. Installation shall comply with NFPA 211, *Standard for Chimneys, Fireplaces, Vents, and Solid Fuel-Burning Appliances*;
4. NFPA 54, *National Fuel Gas Code*;
5. NFPA 90A, *Standard for the Installation of Air-Conditioning and Ventilating Systems*;
6. NFPA 91, *Standard for Exhaust Systems for Air Conveying Vapors, Gases, Mists, and Noncombustible Particulate Solids*;
7. NFPA 70, *National Electrical Code*; and the manufacturer's published instructions.

City of Portland, Maine - Building or Use Permit Application

389 Congress Street, 04101 Tel: (207) 874-8703, FAX: (207) 8716

Job No: 2012-09-4965-HVAC	Date Applied: 9/14/2012	CBL: 045- C-033-001	
Location of Construction: 12 PINE ST	Owner Name: NATE HULL & REID HAYTON-HULL	Owner Address: 12 PINE ST PORTLAND, ME 04102	Phone:
Business Name:	Contractor Name: MAINELY PLUMBING & HEATING INC	Contractor Address: 674 MAIN ST GORHAM MAINE 04038	Phone: 854-4969
Lessee/Buyer's Name:	Phone:	Permit Type: HVAC	Zone: B-1
Past Use: Three Family Dwelling	Proposed Use: Same: Three Family Dwelling - to install Carlin EZ-Gas heating system	Cost of Work: \$2,000.00	CEO District:
		Fire Dept: <input checked="" type="checkbox"/> Approved <input type="checkbox"/> Denied <input type="checkbox"/> N/A	Inspection: Use Group: R-2 Type: 513 IRC 09
Proposed Project Description: Carlin EZ Gas (component)		Pedestrian Activities District (P.A.D.)	
Permit Taken By: Brad		Zoning Approval	

<p>1. This permit application does not preclude the Applicant(s) from meeting applicable State and Federal Rules.</p> <p>2. Building Permits do not include plumbing, septic or electrical work.</p> <p>3. Building permits are void if work is not started within six (6) months of the date of issuance. False informatin may invalidate a building permit and stop all work.</p>	<p>Special Zone or Reviews</p> <p><input type="checkbox"/> Shoreland</p> <p><input type="checkbox"/> Wetlands</p> <p><input type="checkbox"/> Flood Zone</p> <p><input type="checkbox"/> Subdivision</p> <p><input type="checkbox"/> Site Plan</p> <p>___ Maj ___ Min ___ MM</p> <p>Date: 09/17/12</p>	<p>Zoning Appeal</p> <p><input type="checkbox"/> Variance</p> <p><input type="checkbox"/> Miscellaneous</p> <p><input type="checkbox"/> Conditional Use</p> <p><input type="checkbox"/> Interpretation</p> <p><input type="checkbox"/> Approved</p> <p><input type="checkbox"/> Denied</p> <p>Date:</p>	<p>Historic Preservation <i>within</i></p> <p><input type="checkbox"/> Not in Dist or Landmark</p> <p><input type="checkbox"/> Does not Require Review</p> <p><input type="checkbox"/> Requires Review</p> <p><input type="checkbox"/> Approved</p> <p><input type="checkbox"/> Approved w/Conditions</p> <p><input type="checkbox"/> Denied</p> <p><i>any exterior work requires a separate review & approval</i></p> <p>Date:</p>
	CERTIFICATION		

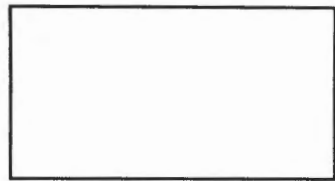
I hereby certify that I am the owner of record of the named property, or that the proposed work is authorized by the owner of record and that I have been authorized by the owner to make this application as his authorized agent and I agree to conform to all applicable laws of this jurisdiction. In addition, if a permit for work described in the appication is issued, I certify that the code official's authorized representative shall have the authority to enter all areas covered by such permit at any reasonable hour to enforce the provision of the code(s) applicable to such permit.

SIGNATURE OF APPLICANT	ADDRESS	DATE	PHONE
RESPONSIBLE PERSON IN CHARGE OF WORK, TITLE		DATE	PHONE



FILL IN AND SIGN WITH INK

APPLICATION FOR PERMIT HEATING OR POWER EQUIPMENT



B-1

To the INSPECTOR OF BUILDINGS, PORTLAND, ME.

The undersigned hereby applies for a permit to install the following heating, cooking or power equipment in accordance with the Laws of Maine, the Building Code of the City of Portland, and the following specifications:

Location / CBL 12 Pine St - 45-C-33 Use of Building 3 Unit Res Date 9/12/12

Name and address of owner of appliance Nate Hull, Rachel Hayton-Hull
12 Pine St

Installer's name and address Mainely Plg + Htg Inc 674 Main St
Coorham, Me 04038 Telephone 854-4969

Location of appliance:

- Basement
- Attic
- Floor
- Roof

Type of Fuel:

- Gas
- Oil
- Solid

Appliance Name: Carlton EZ-Gas

U.L. Approved Yes No

Will appliance be installed in accordance with the manufacture's installation instructions? Yes No

IF NO Explain: _____

The Type of License of Installer:

- Master Plumber # _____
- Solid Fuel # _____
- Oil # _____
- Gas # PNT 347
- Other _____

Type of Chimney:

- Masonry Lined
- Factory built _____

Metal
Factory Built U.L. Listing # SS Liner
In Existing Brick

- Direct Vent
- Type _____

Type of Fuel Tank

- Oil
- Gas

Size of Tank No tank NG

Number of Tanks _____

Distance from Tank to Center of Flame _____ feet.

Cost of Work: \$ 3000

Permit Fee: \$ 40

RECEIVED
SEP 14 2012 in basket
Dept. of Building Inspections
City of Portland Maine

Approved

Approved with Conditions

Fire: _____

Ele.: _____

Bldg.: _____

See attached letter or requirement

Inspector's Signature

Date Approved

Signature of Installer

White - Inspection Yellow - File Pink - Applicant's Gold - Assessor's Copy



PORTLAND MAINE

Strengthening a Remarkable City, Building a Community for Life • www.portlandmaine.gov

Receipts Details:

Tender Information: Check , Check Number: 31412

Tender Amount: 40.00

Receipt Header:

Cashier Id: bsaucier

Receipt Date: 9/14/2012

Receipt Number: 48239

Receipt Details:

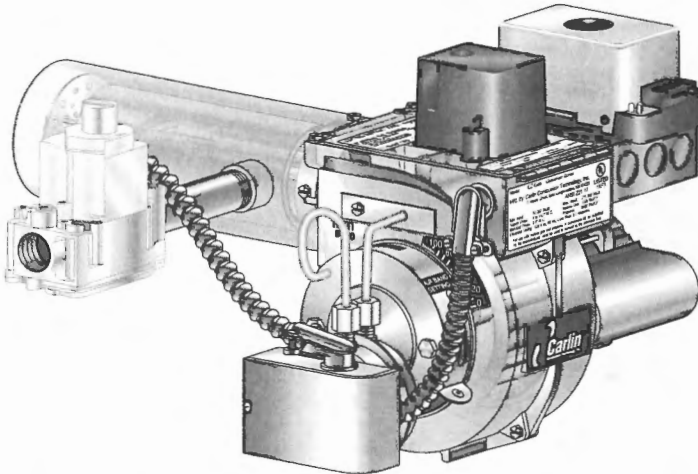
Referance ID:	8023	Fee Type:	BP-Constr
Receipt Number:	0	Payment Date:	
Transaction Amount:	40.00	Charge Amount:	40.00
Job ID: Job ID: 2012-09-4965-HVAC - Carlin EZ Gas (component)			
Additional Comments: 12 Pine St.			

Thank You for your Payment!



MODEL **EZ-Gas™** Gas burner

A tube 150-275
B tube 50-125



Instruction manual

Ratings

- Input:** 50,000 to 275,000 Btuh
- Fuels:** Natural gas or propane gas
- Max. supply pressure..... 14 inches w.c.
- Min. supply pressure..... 5 inches w.c.
- Manifold pressure 3.5 inches w.c.
- Electrical:** Power..... 120V/60 Hz/1-Phase
- Motor..... 1/15, 1/7, or 1/6 HP, 3450 RPM
- Current..... Approx. 2.0, 2.5 or 2.3 amps
- Ignition:** Carlin Model 41800 solid state ignitor
- Control:** Carlin Model 60200FR microprocessor control
- Agencies:** UL Listed (US and Canada)



WARNING **Installer/servicer** — Except where specifically stated otherwise, this manual must be used only by a **qualified service technician**. (In the state of Massachusetts, this product must be installed by a licensed Plumber or Gas Fitter.) Failure to comply with this or other requirements in this manual could result in severe personal injury, death or substantial property damage.

WARNING **User** — Refer only to **User's Information** manual for information regarding operation of this burner. The burner **Instruction Manual** is intended only for your service technician. The burner and heat exchanger must be inspected and started at least annually by your service technician.

Contents

PLEASE read this first.....	2
Codes and standards.....	2
EZ-Gas burner at-a-glance.....	3
Prepare site • prepare burner • mount burner	4
Install gas piping	9
Wire burner.....	10
• Check system • start-up burner/appliance.....	11
Perform checkout procedure • fill out certificate	14
Maintenance and service procedures.....	16
Troubleshooting.....	17
Dimensions and mounting information	19
Replacement parts.....	20

© Copyright 2008 — Carlin Combustion Technology, Inc.

Carlin Combustion Technology, Inc.

70 Maple Street
Ph 413-525-7700

East Longmeadow, MA 01028
Fx 413-525-8306

TECH SUPPORT 800-989-2275

carlincombustion.com



LINER FINDER - GAS

LINER FINDER - GAS

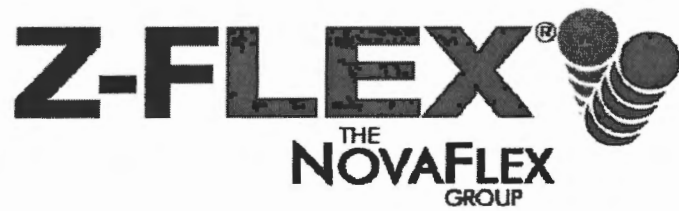
Common Vent Capacity

Common Vent Capacity

Chimney Height	Connector Type	4 INCH			5 INCH			5.5 INCH			6 INCH			7 INCH			8 INCH		
		+FAN	+NAT	NAT	+FAN	+NAT	+NAT	+FAN	+NAT	+NAT	+FAN	+NAT	+NAT	+FAN	+NAT	+NAT	+FAN	+NAT	+NAT
15 FT	DOUBLE	100	90	73	##### 131	115	##### 157	140	226	182	165	##### 282	224	##### 355	292				
	SINGLE	97	86	70	##### 127	112	##### 152	136	220	177	160	##### 274	219	##### 347	286				
20 FT	DOUBLE	109	98	82	##### 146	128	##### 175	156	251	204	183	##### 315	248	##### 399	324				
	SINGLE	105	94	78	##### 142	125	##### 170	152	244	198	178	##### 306	242	##### 390	316				
25 FT	DOUBLE	115	104	88	##### 157	138	##### 189	168	270	221	198	##### 341	268	##### 434	350				
	SINGLE	110	100	84	##### 152	134	##### 182	163	262	213	192	##### 332	260	##### 423	342				
30 FT	DOUBLE	122	110	94	##### 168	148	##### 203	180	289	238	213	##### 367	288	##### 468	376				
	SINGLE	116	106	90	##### 162	144	##### 195	175	280	229	206	##### 357	279	##### 456	367				
35 FT	DOUBLE	125	113	98	##### 175	154	##### 212	188	301	249	222	##### 385	301	##### 492	392				
	SINGLE	119	108	93	##### 168	150	##### 203	182	291	239	213	##### 373	291	##### 479	382				
40 FT	DOUBLE	128	116	101	##### 182	160	##### 221	195	313	260	230	##### 402	313	##### 516	408				
	SINGLE	122	111	96	##### 174	155	##### 212	188	302	249	221	##### 390	304	##### 502	398				
45 FT	DOUBLE	131	119	104	##### 188	165	##### 230	202	325	271	239	##### 420	326	##### 541	424				
	SINGLE	124	113	99	##### 180	161	##### 220	195	314	259	229	##### 407	316	##### 526	413				
50 FT	DOUBLE	134	122	107	##### 195	171	##### 239	210	337	282	248	##### 438	338	##### 565	440				
	SINGLE	127	116	102	##### 186	166	##### 228	202	325	270	237	##### 423	328	##### 549	428				



Fan Burner Boiler 250,000
 Nat. WH 80,000
 330,000



ALL FUEL CHIMNEY LINER INSTALLATION GUIDE

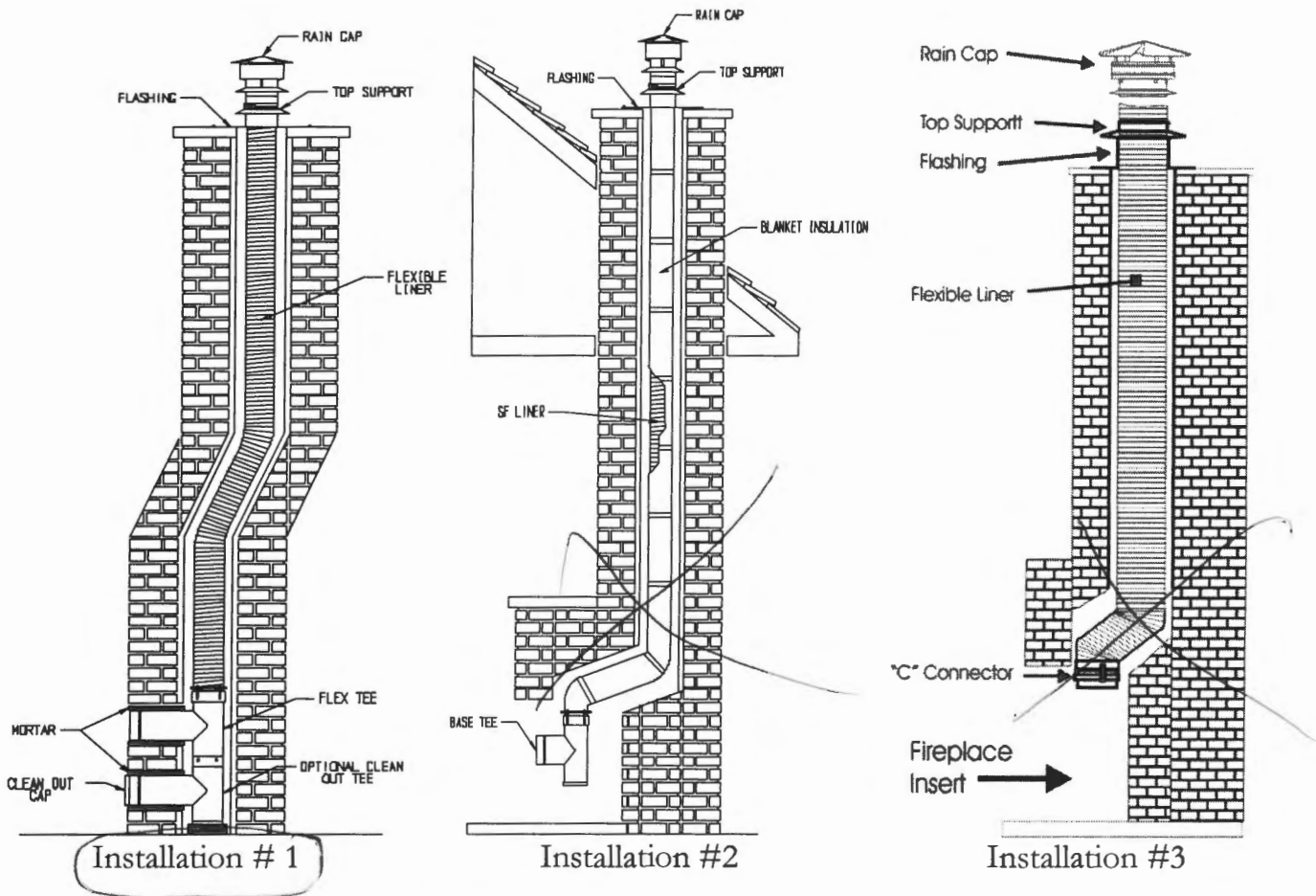
FOR SAFETY'S SAKE

Chimney relining and chimney repairs must be done with the utmost of care. Please ensure before starting that the safety aspect of the installation has been looked after. Secure your ladders and scaffolding, wear protective gear and the appropriate footwear and gloves before starting. Avoid problems through proper safety measures ensuring every installation is an accident free installation.

MODEL "SF"

March 10, 2011

9. Typical installations.



FIREPLACE INSERT INSTALLATION

- 1) Prepare the chimney flue opening using best practice following all codes & standards having jurisdiction.
- 2) Connect the "C" Connector using stainless steel screws (not included) to the liner instead of the Flex Tee in step 3 above.
- 3) Attach the prepared nose cone to the connector and guide the liner down the chimney into the fireplace opening.
- 4) Remove the nose cone and fully insert the connector in the flue opening of the fireplace insert.
- 5) Anchor the connector in the fireplace insert using best practice method.

Note to installer: If there is no collar present on the outlet of the fireplace insert for the "C" connector to clamp onto, remove the gear clamp from the "C" connector and affix the connector into the outlet using approved cement.

- 6) Insert can now be set into place pulling the liner slack up through chimney.
- 7) Continue on from Step 7 above to finish off.

IMPORTANT: Follow Fireplace Insert instructions for flue connection when applicable.

MAINTENANCE INSTRUCTIONS

Manufacturer's address:

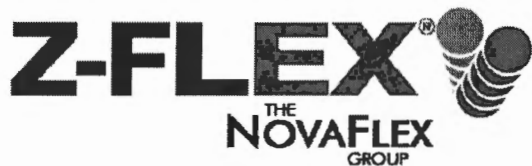
Z-Flex, Inc.
20 Commerce Park North
Bedford, NH 03110-6911
Tel: 1-800-654-5600
In NH 603-669-5136

- A. **WARNING:** DO NOT USE ANY MATERIAL/PARTS OTHER THAN THOSE SPECIFIED IN THE INSTALLATION INSTRUCTIONS.
- B. "Creosote and Soot Formation and Need for Removal". When wood is burned slowly, it produces tar and other organic vapors, which combined with expelled moisture, forms creosote. The creosote vapors condense, in the relatively cool chimney flue of a slow-burning fire. As a result, creosote residue accumulates on the flue lining. When ignited this makes an extremely hot fire. The chimney should be inspected every two (2) months during the heating season to determine if a creosote or soot buildup has occurred. If creosote or soot has accumulated, it should be removed to reduce the risk of chimney fire.
- C. The recommended method of cleaning your Z-Flex Liner is with a poly chimney brush approximately 1/8" larger than the diameter of your liner. The liner should be brushed until all creosote and soot have been removed.
- D. It is recommended to have the chimney lining system checked by a qualified chimney inspector, such as a certified chimney sweep, at least once annually following the initial installation of the lining system.
- E. Any heating appliance connected to the chimney liner must not have a flue outlet size larger than the chimney liner area at its smallest point.

PARTS COMMON TO "ZF" AND "ZF...I" LINER SYSTEMS

Base Tee/ Flex Tee / "C" Connector
Chimney Flashing
Deluxe Rain Cap
Top Support

The replacement parts/components for the "SF" chimney liner system are available from Z-Flex, Inc.



Z-FLEX®

Lifetime Liner Warranty

Z-Flex, Inc. warrants its stainless steel chimney liners to the original purchaser or if purchased by a contractor, to the end user. The warranty is valid for as long as the original purchaser owns the property in which the liner is installed, provided it is installed according to U.L. installation instructions. Deviating from the installation and use instructions included with the liner will void the warranty. Z-Flex warrants that at the time of shipping the stainless steel chimney liner will be free of manufacturer's defects in material and/or workmanship. Liability under the warranty shall be limited to the replacement of the liner and accessories found to be defective according to the terms of the warranty, and shall not include replacement installation or other costs.

IMPORTANT: Z-Flex Chimney Liners are designed to be used with these fuels only: natural gas, propane gas, oil, and seasoned hardwood. The following fuels are not recommended for use in Z-Flex chimney liners: coal, ocean driftwood or garbage. Excessive condensation with high chlorine content will corrode some stainless steel. Where these conditions prevail, we recommend AL29-4C™ Stainless Steel Liners. Refer to equipment manufacturer's installation instructions for proper liner material for appliances which produce condensation.

Excessive creosote accumulation, sulphur residue from burning coal or the use of unapproved chemical cleaners may cause chimney fires that could warp the liner or may corrode the liner. Such misuse will void the warranty.

To activate the warranty, the purchaser or end user must complete and return the Z-Flex warranty registration card within ninety (90) days of installation. Upon receipt of written notice of any defect, Z-Flex reserves the right to examine or engage others to examine the liner. Such examination must establish reasonable proof of defective material or workmanship justifying replacement.

The sole remedy for breach of any and all warranties and the sole remedies for Z-Flex's liability of any kind shall be limited to the remedies provided herein. Z-Flex shall not be liable for any special, incidental, indirect or consequential damages, or for any claim against the purchaser or end user by any other party. EXCEPT AS SPECIFICALLY PROVIDED HEREIN, Z-FLEX DOES NOT MAKE ANY EXPRESS OR IMPLIED WARRANTIES, INCLUDING BUT NOT LIMITED TO THE IMPLIED WARRANTIES OF MERCHANTABILITY AND FITNESS FOR A PARTICULAR USE. Some states do not allow the exclusion of implied warranties or the limitation or exclusion of liability for incidental or consequential damages, so the above limitations may not apply to you. You may also have other rights which vary from state to state.

For further information, call or write to:

**Z - FLEX INC.
20 Commerce Park North
Bedford, NH 03110-6911
Tel: 1-800-654-5600
In NH 603-669-5136**

Z-FLEX® Warranty Registration Card

For this warranty to be effective this card must be completed upon purchase of the covered liner and returned to Z-FLEX, Inc.

NAME: _____

ADDRESS: _____

LINER PURCHASED FROM: Porchett Chimney Sweep

DATE OF INSTALLATION: _____

FIREPLACE INSERT, STOVE OR FURNACE MODEL: Gas Boiler + Water Heater