



PO Box 2551  
2257 West Broadway  
South Portland, ME 04106

1.800.370.3473  
fax 207.879.0540

www.norrisinc.com

Please fax this information to the Administrative Sales Assistant at the So. Portland Office at (207)-879-0540.

## Building Owner Information Form

Job Name:	Project #:
-----------	------------

Electrical Contractor:
------------------------

# NFPA requires this information for proper documentation

***\*The contractor MUST provide all of the information with an asterisk below before ANY equipment can be released.***

*If building owner contact is unknown provide contact name/tel. of GC and check box*

Electrical Contractor Contact Name:	
Estimated Date Equip. Needed:	*Estimated Finals Date:

*Building Owner:
------------------

*Job Site Address:
--------------------

*City:	State:	Zip:
--------	--------	------

*Contact Name:	Check here if GC
----------------	------------------

*Phone #:	Fax #:
-----------	--------



PO Box 2551  
2257 West Broadway  
South Portland, ME 04106

1.800.370.3473  
fax 207.879.0540

[www.norrisinc.com](http://www.norrisinc.com)

**Thank you for your cooperation.**

**Please advise the building owners that if this system is equipped with a digital communicator, then they MUST also make monitoring arrangements prior to a certificate of occupancy. Norris Inc. will attempt to contact the building owners**

---

# **STOP!**

**THIS COPY IS FOR YOUR ELECTRICIAN  
ON THE JOB-SITE**

**PLEASE BE SURE THIS COPY IS FORWARDED**

- 1) **A riser diagram is enclosed. DO NOT USE THE ENGINEER'S RISER SHOWN ON THE PLANS. If there is any information that you question, call us immediately.**
  - 2) **YOU MUST CALL AT LEAST FIVE DAYS IN ADVANCE TO SCHEDULE FINAL CONNECTION ASSISTANCE.**
  - 3) **All of your wires must be labeled and clear of any grounds, shorts or opens and must maintain polarity throughout. Meter out all circuits before calling for final connection assistance. If applicable verify End of Line resistors are in place.**
  - 4) **If using shielded cable, the drain wires must be connected and fully insulated (wrapped with tape) so that neither the shield or the drain wire touches the backbox.**
  - 5) **Unless special arrangements are made, we will make one final job-site visit. If a special visit is required for an elevator inspection or partial occupancy, then additional charges may apply if special arrangements were not made ahead. Call your customer service representative.**
  - 6) **If you have any defective or left-over parts DO NOT WRITE ON THEM OR THE BOXES. Save the original box, all mounting hardware and instructions. Returns that do not conform to this practice will not be accepted for credit.**
  - 7) **If the system is being monitored through a digital communicator, then please turn to page 2.**
-



PO Box 2551  
2257 West Broadway  
South Portland, ME 04106

1.800.370.3473  
fax 207.879.0540

[www.norrisinc.com](http://www.norrisinc.com)

## **IMPORTANT INFORMATION FOR THE BUILDING OWNERS SPECIAL NOTE REGARDING ALARM MONITORING SERVICES**

**Included within your alarm system package is a digital communicator, which sends a coded message to a private 24-hour central station if your alarm system is activated. This is a code requirement for most fire alarm systems. As a service to our customer, we offer central station monitoring services from our local UL Listed central station at extremely competitive rates.**

**If the central station monitoring contract is purchased through Norris Inc. prior to our scheduled start-up; we will connect, program, and test the communicator at no additional charge.**

**Should the building owners decide to obtain monitoring services from another company, then the cost for programming and testing the communicator will be the sole responsibility of the firm they have contracted with. Furthermore, if programming changes are made to the system by persons other than Norris Inc. technicians, then the company performing the changes shall be solely liable for any personal injury or loss of life or damage to or loss of property arising out of the use of or inability to use the system and it shall result in a waiver of any system warranties.**

**We appreciate that you understand the delicate nature of this life safety and/or security system and realize that serious problems may arise when modifications to the system are made including very simple programming changes.**

**Call Norris Inc. at 1-800-370-FIRE (3473) to make  
arrangements for central station monitoring services.**



PO Box 2551  
2257 West Broadway  
South Portland, ME 04106

1.800.370.3473  
fax 207.879.0540

[www.norrisinc.com](http://www.norrisinc.com)

# ***SUBMITTAL PACKAGE***

**Project:**      **Kepware Fit Up  
2nd Floor  
400 Congress Street**

**System:**      **Fire Alarm System Addition**

**Submitted**    **Norris Inc.**  
**By:**            **2257 West Broadway  
South Portland, Maine 04106  
Telephone: (800) 370-3473**

**Date:**            **October 6th, 2014**

## Company Profile

*"We are extremely proud to represent the highest quality manufacturers integrating life safety, alarm and communication systems throughout northern New England."*

*-- Bradford Norris, President --*

## Mission Statement

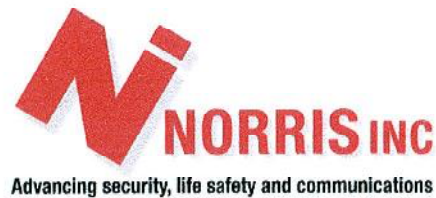
Provide quality engineered systems, exceptional service.

## Goal

Learn...Continually Improve...Exceed Expectations

Founded in 1979 Norris Inc. has grown to become Northern New England's leading integrated system contracting and supply company. Norris Inc. is an innovated proactive organization with extensive experience in integration interdisciplinary building management systems. Our local and national affiliations assure that your project will be done properly regardless of size representing leading manufacturers our comprehensive products provide outstanding quality reliability and performance... surpassing customer application requirements and exceeding the stringent requirements of Underwriters Laboratories, National Fire Protection Association and other codes. We maintain an exceptional level of quality and provide the highest levels of customer service. Our knowledgeable technical support will insure the great service you deserve. Whether your needs involve industrial, commercial, institutional, or educational applications, you can trust that Norris Inc. has the complete resources it takes to provide the right solution right away.

---



## **OUR CONTINUOUS COMMITMENT TO OUR ENVIRONMENT**

At Norris, Inc. we are proudly committed to continuous environmental improvement for a sustainable future and to develop strong partnerships within our community.

Our mission while running our operations is to do everything within our power to improve the environmental quality of our world and to work together to create a clean and safe place to live in and work in for future generations.

We will incorporate and promote green practices within our operations with policies to support it, a system of rewarding those that fully embrace it and then will regularly review our practices for continuous improvement.

We will establish policies, make investments in technologies and set the example in our own operations to include our ongoing commitment to go paperless and making it a requirement to Reuse, Reduce & Recycle, to turn off unneeded lights, to not allow our vehicles to idle, to encourage carpooling and to utilize practical energy efficient transportation.

We will always be 100% compliant with all applicable environmental laws and regulations and will report any violations.

We will remain committed to working locally and whenever possible to sell and use locally manufactured products.

We will insist that every purchase we make will include a review of its environmental impact with a very high priority to selecting the greenest products and services available.

We will remain committed to selling low energy products. This includes promoting wireless technologies, using existing wire infrastructures in our installations, promoting solar powered devices, using our Remote Services in lieu of on-site service calls and performing calculations to minimize power supply and battery needs.

We will educate our employees and customers to illustrate that green practices and purchases are almost always less costly in the long run.

We will support and give priority to organizations that show the strongest commitment to the environment.

We will actively encourage and promote the same responsible green practices that we utilize in the work place to our employees for use in their everyday personal lives.



PO Box 2551  
2257 West Broadway  
South Portland, ME 04106

1.800.370.3473  
fax 207.879.0540

[www.norrisinc.com](http://www.norrisinc.com)

## **LIMITED WARRANTY**

Norris, Inc. warrants that the products of its manufacturers shall be free from defects in materials or workmanship as warranted by the manufacturer which is typically for a one (1) year period from the completed installation date, but not always. The completed installation date will be the date when the end-user was able to begin using or started using the product(s) or the system, whether partially or in its entirety. For projects that have a specification or bid instructions to follow which contains specific warranty requirements, Norris Inc. will always honor the warranty terms exactly as specified in the project's specifications or bid documents, which may be more or less in coverage and duration than the manufacturer's warranty. In performing hundreds of projects per year with thousands of different products it is impossible for Norris, Inc. to track the terms and details of specified or individual product warranties. Therefore Norris, Inc. will request that the owner's representative provide these special warranty details when the warranty work is requested; otherwise a standard one year warranty on the equipment will be honored. The manufacturer's warranty is for equipment only and does not include any labor and/or shipping costs. All warranties provided by Norris, Inc. are limited with the same limitations included with the manufacturer's warranty which is included in the manuals of the products being provided.

The warranty will apply only if such goods have been properly installed, are subject to normal proper use and have not been modified in any manner whatsoever. Upon return of the defective product, Norris, Inc. will, at its sole discretion, either repair or replace, at no cost, such goods determined to have a defect in materials or workmanship. In cases of a warranty repair, Norris, Inc. will use its sole discretion to determine if a suitable replacement part can be provided on loan while the repairs are being performed.

All warranty work is performed during regular business hours. If emergency warranty work is required, the customer will pay the difference between the emergency service bill and our normal hourly charges.

Norris, Inc.'s limited warranty does not apply to those products that are damaged due to misuse, abuse, negligence, exposure to adverse environmental conditions, acts of God or have been modified in any manner whatsoever.

Norris, Inc.'s Standard terms and conditions are provided with our invoices. Those Terms and Conditions shall be provided upon request.

**NORRIS, INC. SHALL NOT UNDER ANY CIRCUMSTANCES BE LIABLE FOR ANY INCIDENTAL OR CONSEQUENTIAL DAMAGES ARISING FROM LOSS OF LIFE &/OR PROPERTY OR OTHER DAMAGE OR LOSSES OWING TO THE FAILURE OF NORRIS INC. PRODUCTS BEYOND THE COST OF REPAIR OR REPLACEMENT OF ANY DEFECTIVE PRODUCTS.**

**NORRIS, INC. MAKES NO WARRANTY OF FITNESS OR MERCHANTABILITY AND NO OTHER WARRANTY, ORAL OR WRITTEN, EXPRESS OR IMPLIED AS ALLOWED TO THE FULLEST EXTENT OF THE LAW.**





## REMOTE INTERNET CONNECTIONS

As an added service to our customers and in order to facilitate the commissioning of the system(s) being provided within this submittal and then later provide warranty support Norris, Inc. may (at Norris, Inc.'s option) use internet connections to gain access to the system(s) being provided. Many methods can be used, but the most popular is utilizing software named LogMeln. This software or any other method used to connect to the customer's network will allow Norris, Inc.'s technicians the ability to get onto the programming and diagnostic levels of the system(s) being provided via the building owner's or tenant's data network and program, diagnose or make needed changes to the operation of the system(s). This will provide a better working atmosphere to perform programming from a controlled environment without the disruptions of a construction job-site and will allow fast and efficient troubleshooting and/or servicing if problems should occur later. Acceptance of this submittal by those approving it shall constitute an acceptance and approval to perform the work necessary to install and/or enable these network connections if Norris, Inc. chooses to do so. It is the sole responsibility of the submittal approvers to advise the building owners and/or tenants that Norris, Inc. has the ability to gain access to their network. At the specific request of those approving this submittal or the contractor that Norris, Inc. is working for or the building owners or tenants that own the network, Norris, Inc. can remove or disable the ability to connect to the building's network. However, leaving it in place will allow for quicker and more cost effective service when it is needed. Under absolutely no circumstances shall Norris, Inc., its principals, employees or heirs be held responsible for any losses incurred as a result of this network connection or the inability for the network connection to operate as expected.



*This is to certify that*

**NORRIS, INC.**

*is an authorized Engineered Systems Distributor for **NOTIFIER***

*During the year of 2014*

*Signed for on behalf of NOTIFIER*

*Vice President Sales - Americas*

**Norris Inc**

2257 West Broadway

South Portland, ME 04106

1-800-370-3473

**A & M PARTNERS INC**

120 EXCHANGE ST

PORTLAND, ME 04101

Tel:207-879-1358 Fax:874-6988

**318626SP**

**Equipment List**

**400 Congress-- Kepware Fit Up**

**Description**

ADI-FL-CRF300, Addressable Relay

ADI-FL-SD355, Addressable Smoke Detector with Base

NOTIFIER-HSRC, Horn Strobe, Ceiling, Red

NOTIFIER-STRC, Strobe, Ceiling, Red

NOTIFIER-RSSWP-2475W-FR, Strobe, Wall, WP, Red

NOTIFIER-WPSBB-R, BB for WP Strobe

# Wheelock® Exceder™

## Horns and Strobes



Audio/Visual Devices

### General

The Wheelock® Exceder™ Series of notification appliances feature a sleek modern design and numerous features including eight candela options in one appliance, low current draw, no tools needed for setting changes, 12/24 VDC operation, universal mounting base and multiple mounting options.

Models with an audible feature 3 sound settings (90, 95, 99 dB). All switches to change settings can be set without the use of a tool and are located behind the appliance to prevent tampering. Wall models feature voltage test points to take readings with a voltage meter for troubleshooting and AHJ inspection.

The Wheelock® Exceder™ Series of wall and ceiling notification appliances feature a Universal Mounting Base (UMB) designed to simplify the installation and testing of horns, strobes, and combination horn strobes. The separate universal mounting base can be pre-wired to allow full testing of circuit wiring before the appliance is installed and the surface is finished. It comes complete with a contact cover for protection against dirt, dust, paint and damage to the contacts. The contact cover also acts as a shunting device to allow pre-wire testing for common wiring issues.

The contact cover is polarized to prevent it from being installed incorrectly and prevents the appliance from being installed while it is on the UMB. When the contact cover is removed the circuit will show an open until the appliance is installed. The UMB allows for consistent installation and easy replacement of appliances if required. Wall models provide an optional locking screw for extra secure installation, while the ceiling models provide a captive screw to prevent the screw from falling during installation.

### Features

- Multiple voltages
- Voltage test points for quick troubleshooting and easy spot-checking (wall models only)
- 3 audible settings (90, 95, 99 dB)
- 8 Candela settings
  - Wall - 15/1575/30/75/95/110/135/185
  - Ceiling - 15, 30, 60, 75, 95, 115, 150, 177
- Finger-slide switches
- Sleek modern aesthetics
- Common base for wall and ceiling with 5 mounting options:
  - 1-gang
  - 2-gang
  - 4 inch square
  - 3.5 inch octagonal
  - 4 inch octagonal

### Compatibility and Requirements

- Synchronize using Wheelock Sync Modules, or panels with built-in Wheelock patented sync protocol.
- Compatible with UL “Regulated Voltage” using filtered VDC or unfiltered VRMS input voltage
- Strobes produce one flash per second over the Regulated Voltage range.



Wall



Ceiling



### General Notes

- All candela ratings represent minimum effective strobe intensity based on UL Standard 1971.
- Series Exceder Strobe products are Listed under UL Standards 1971 and 464 for indoor use with a temperature range of 32°F to 120°F (0°C to 49°C) and maximum humidity of 93% (± 2%) UL 464 (85% UL 1971).
- Series Exceder horns are under UL Standard 464 for audible signal appliances (Indoor use only).
- Product naming conventions: The Exceder line's model codes break down into easy-to-remember codes. HN = Horn, ST = Strobe, HS = Horn-strobe, C = Ceiling Mount, W = White, and R = Red. So “STRC” can be read as “Strobe, Red, Ceiling-mount.”, and “HSW” is “Horn-strobe, white, wall-mount.”
- Refer to your fire alarm panel or power supply manual when calculating the number of devices allowed per circuit.

### Architects/Engineers Specifications

The notification appliances shall be Wheelock Exceder Series HS Audible Strobe appliances, Series ST Visual Strobe appliances and Series HN Audible appliances or approved equals. The Series HS and ST Strobes shall be listed for UL Standard 1971 (Emergency Devices for the Hearing-Impaired) for Indoor Fire Protection Service. The Series HS and HN Audibles shall be UL Listed under Standard 464 (Fire Protective Signaling). All Series shall meet the requirements of FCC Part 15 Class B. All inputs shall be compatible with standard reverse polarity supervision of circuit wiring by a Fire Alarm Control Panel (FACP) with the ability to operate from 8 to 33 VDC. Indoor wall models shall incorporate voltage test points for easy voltage inspection.

The Series HS Audible Strobe and ST Strobe appliances shall produce a flash rate of one flash per second over the Regulated Voltage Range and shall incorporate a Xenon flashtube enclosed in a rugged Lexan® lens. The Series shall be of low current design. Where Multi-Candela appliances are specified, the strobe intensity shall have 8 field selectable settings at 15,

15/75, 30, 75, 95, 110, 135, 185 candela for wall mount and 15, 30, 60, 75, 95, 115, 150, 177 candela for ceiling mount. The selector switch for selecting the candela shall be tamper resistant. The 15/75 candela strobe shall be specified when 15 candela UL Standard 1971 Listing with 75 candela on-axis is required (e.g. ADA compliance). Appliances with candela settings shall show the candela selection in a visible location at all times when installed.

The audible shall have a minimum of three field selectable settings for dBA levels and shall have a choice of continuous or temporal (Code 3) audible outputs.

### MOUNTING OPTIONS

The Series HS Audible Strobe, ST Strobe and Series HN Audible shall incorporate a patented Universal Mounting Base that shall allow mounting to a single-gang, double-gang, 4" square, 3.5" octagonal, 4" octagonal or 100mm European type back boxes. Two wire appliance wiring shall be capable of directly connecting to the mounting base. Continuity checking of the entire NAC circuit prior to attaching any notification appliances shall be allowed. Product shall come with contact cover to protect contact springs. Removal of an appliance shall result in a supervision fault condition by the Fire Alarm Control Panel (FACP). The mounting base shall be the same base among all horn, strobe, horn strobe, wall and ceiling models. All notification appliances shall be backwards compatible.

### PHYSICAL SPECIFICATIONS

The Series HS and ST wall models shall have a low profile measuring 5.24" H x 4.58" W x 2.19" D. Series HN wall shall measure 5.24" H x 4.58" W x 1.6" D. The Series HSC and STC

shall be round and have a low profile with a diameter of 6.68" x 2.63" D. Series HNC ceiling shall have a diameter of 6.68" x 1.50" D.

### SYNCHRONIZATION

When synchronization is required, the appliance shall be compatible with Wheelock® SM, DSM Sync Modules, Wheelock® Power Supplies or other manufacturer's panels with built-in Wheelock® Patented Sync Protocol. The strobes shall not drift out of synchronization at any time during operation. If the sync protocol fails to operate, the strobe shall revert to a non-synchronized flash-rate and still maintain one flash per second over its Regulated Voltage Range. The appliance shall also be designed so that the audible signal may be silenced while maintaining strobe activation when used with Wheelock® synchronization protocol.

### Standards and Codes

Modules in this series comply with UL Standard 1971, UL Standard 464, California State Fire Marshal (CSFM), and ULC.

### Agency Listings

These listings and approvals apply to the modules specified in this document. In some cases, certain modules or applications may not be listed by certain approval agencies, or listing may be in process. Consult factory for latest listing status.

- **UL Listed:** S5391 (Strobes); E5946 (Horns, Horn/strobes).
- **ULC Listed**
- **CSFM Listed:** 7125-0785:168.

## Specification & Ordering Information

Model	Strobe Candela	12/24 VDC	Mounting Options
<b>Horn Strobes</b>			
HSR	15, 15/75, 30, 75, 95, 110, 135, 185	X	Universal Mounting Base
HSW	15, 15/75, 30, 75, 95, 110, 135, 185	X	Universal Mounting Base
HSRC	15, 30, 60, 75, 95, 115, 150, 177	X	Universal Mounting Base
HSWC	15, 30, 60, 75, 95, 115, 150, 177	X	Universal Mounting Base
<b>Strobes</b>			
STR	15, 15/75, 30, 75, 95, 110, 135, 185	X	Universal Mounting Base
STW	15, 15/75, 30, 75, 95, 110, 135, 185	X	Universal Mounting Base
STRC	15, 30, 60, 75, 95, 115, 150, 177	X	Universal Mounting Base
STWC	15, 30, 60, 75, 95, 115, 150, 177	X	Universal Mounting Base
<b>Horns</b>			
HNR	—	X	Universal Mounting Base
HNW	—	X	Universal Mounting Base
HNRC	—	X	Universal Mounting Base
HNWC	—	X	Universal Mounting Base
*12 VDC models feature 15 and 15/75 settings			
<b>NOTE:</b> Due to continuous development of Cooper Wheelock products, specifications and offerings are subject to change without notice in accordance with Cooper Wheelock Inc., dba Cooper Notification standard terms and conditions.			

Notifier® is a registered trademark of Honeywell International Inc.  
 Exceder is a trademark and Wheelock® is a registered trademark of Cooper Notification.  
 ©2010 by Honeywell International Inc. All rights reserved. Unauthorized use of this document is strictly prohibited.

This document is not intended to be used for installation purposes.  
 We try to keep our product information up-to-date and accurate.  
 We cannot cover all specific applications or anticipate all requirements.  
 All specifications are subject to change without notice.



Made in the U.S. A.

For more information, contact Notifier. Phone: (203) 484-7161, FAX: (203) 484-7118.  
[www.notifier.com](http://www.notifier.com)

## Weatherproof Appliances - Series AH Audibles, AS Audible Strobes, MT Multitone Strobes, RSS Strobes and ET70 Speaker Strobes and Weatherproof Mounting Accessories



### Description:

Designed for life safety, performance and reliability, Cooper Notification's Wheelock cost effective weatherproof notification appliances include:

Weatherproof Appliances	Series
Strobes	RSSWP
Horn Strobes	ASWP
Horns	AH-24WP, AH-12WP
Multitone Horn Strobes	MTWP
Multitone Horns	MT
Speaker Strobes	ET70WP
Speakers	ET-1010

All strobe models are UL dual listed - meeting both UL1638 and UL1971 requirements. As dual listed appliances, these weatherproof strobes, horn strobes and speaker strobes are listed for outdoor applications under UL 1638 as well as under UL 1971, the Standard for Safety Signaling Devices for Hearing Impaired. With an extended temperature range of -31°F to 150°F (-35°C to 66°C), Wheelock weatherproof appliances meet or exceed UL outdoor test requirements for rain, humidity and corrosion resistance while providing multiple strobe intensity options, including the highest strobe ratings available for area coverage per NFPA 72 strobe spacing tables (up to 185 candela for wall mounting and 177 candela for ceiling mounting).

To enable weatherproof mounting, Cooper Notification provides the industry's widest choice of mounting options for surface or unique semi-flush installation. Models are available for surface mounting to Wheelock weatherproof backboxes on walls or ceilings. The optional WP-KIT allows the weatherproof backboxes (IOB, WPBB or WPSBB) to be mounted to a recessed electrical box for concealed conduit installation. For semi-flush installation, the WPA\* and WFPA\* kits allow a customer to mount the weatherproof appliances to a recessed electrical box without the need for an external weatherproof backbox. See the Backboxes, Plates and Gaskets Table on page three of this document for a summarization of these mounting options and the required accessories.

All models may be synchronized using the Wheelock DSM Sync Modules, Wheelock Power Supplies or other manufacturers panels incorporating the Wheelock Patented Sync Protocol. The horn output of horn strobes can be independently controlled on 2-wire circuits using the Wheelock patented sync protocol. MTWP horn strobe models are 4-wire appliances; the strobes can be synchronized while the audible can be connected to a coded fire alarm system or can be set to produce any of eight selectable tones.

### Features:

- Approvals include: UL Standards 1971, 1638, 464 and 1480 California State Fire Marshal (CSFM), New York City (MEA), Factory Mutual (FM), Chicago (BFP) and ULC . See agency approvals by model number on page two of this document
- Compliance with the following requirements: NFPA, UFC, ANSI 117.1, OSHA Part 29, 1910.165, ADA
- Weatherproof with extended temperature range of -40°F to 150°F (-40°C to 66°C)\*
- Dual Listed strobe models (UL 1638 and UL 1971)
- Industry's highest strobe candela options
- Synchronize using the Wheelock Sync Modules or panels with built-in Wheelock Patented Sync Protocol
- Models with field selectable tone, dBA and candela settings
- Wall or ceiling mounting options
- Surface or semi-flush mounting
- IN/OUT wiring termination accepting two #12-18 AWG wires at each terminal

The series RSSWP, ASWP, AH-24WP, MTWP-2475W, and MT-12/24 have UL / ULC approval down to -40°F. The ET-1010 and ET70WP have UL approval down to -40°F. The AH-12WP has UL approval down to -31°F.



E5946  
S5391  
S2652



151-92-E



7125-0785:131 (ASWP)  
7125-0785:146 (ET70WP)  
7125-0785:156 (MTWP)  
7300-0785:154 (RSSWP)



**NOTE: All CAUTIONS and WARNINGS are identified by the symbol ▲. All warnings are printed in bold capital letters.**

**▲ WARNING: PLEASE READ THESE SPECIFICATIONS AND ASSOCIATED INSTALLATION INSTRUCTIONS CAREFULLY BEFORE USING, SPECIFYING OR APPLYING THIS PRODUCT. VISIT WWW.COOPERNOTIFICATION.COM OR CONTACT COOPER WHEELLOCK FOR THE CURRENT INSTALLATION INSTRUCTIONS. FAILURE TO COMPLY WITH ANY OF THESE INSTRUCTIONS, CAUTIONS OR WARNINGS COULD RESULT IN IMPROPER APPLICATION, INSTALLATION AND/OR OPERATION OF THESE PRODUCTS IN AN EMERGENCY SITUATION, WHICH COULD RESULT IN PROPERTY DAMAGE, AND SERIOUS INJURY OR DEATH TO YOU AND/OR OTHERS.**

## General Notes:

- Strobes are designed to flash at 1 flash per second minimum over their UL Listed Regulated Voltage Range.
- All candela ratings represent minimum effective Strobe intensity based on UL Standards 1971 and 1638 as indicated in candela ratings table.

### Wall Mount



Strobe	Order Code
RSSWP-2475W-FR Red	9013
RSSWP-2475W-FW White	3034
RSSWP-24MCWH-FR Red	5161
RSSWP-24MCWH-FW White	5165

Audible Strobe	Order Code
ASWP-2475W-FR Red	9012
ASWP-24MCWH-FR Red	5137
ASWP-24MCWH-FW White	5140

Multi-tone Strobe	Order Code
MTWP-2475W-FR Red	8420
MTWP-2475W-FW White	3112
MTWP-24MCWH-FR Red	5132
MTWP-24MCWH-FW White	5134

Speaker Strobe	Order Code
ET70WP-2475W-FR Red	9077
ET70WP-2475W-FW White	3179
ET70WP-24185W-FR Red	4885
ET70WP-24185W-FW White	4891
ET70WP-24135W-FR Red	4872
ET70WP-24135W-FW White	4875

### Ceiling Mount



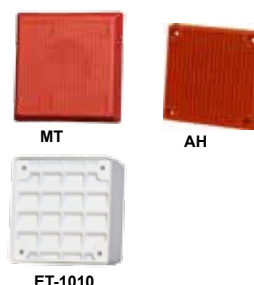
Strobe	Order Code
RSSWP-2475C-FR Red	4338
RSSWP-2475C-FW White	4446
RSSWP-24MCCH-FR Red	5167
RSSWP-24MCCH-FW White	5187

Audible Strobe	Order Code
ASWP-2475C-FR Red	4251
ASWP-2475C-FW White	4502
ASWP-24MCCH-FR Red	5149
ASWP-24MCCH-FW White	5157

Multi-tone Strobe	Order Code
MTWP-2475C-FR Red	4457
MTWP-2475C-FW White	4478
MTWP-24MCCH-FR Red	5102
MTWP-24MCCH-FW White	5122

Speaker Strobe	Order Code
ET70WP-2475C-FR Red	4452
ET70WP-2475C-FW White	4454
ET70WP-24177C-FR Red	4845
ET70WP-24177C-FW White	4859
ET70WP-24115C-FR Red	4550
ET70WP-24115C-FW White	4732

### Wall or Ceiling Mount



Audible	Order Code
AH-24WP-R Red	7416
AH-12WP-R Red	7415

Horn	Order Code
MT-12/24-R Red	5023

Speaker	Order Code
ET-1010-R Red	3135
ET-1010-W White	3137

UL Max. Current	AH	
	24 VDC	12 VDC
High (99) dBA	0.080	0.192
Med (95) dBA	0.043	0.108
Low (90) dBA	0.021	0.058

UL Reverberant dBA @ 10 Feet							
Watts	1/8	1/4	1/2	1	2	4	8
ET-1010	77	80	83	86	87	92	94
ET70WP	78	81	84	87	90	93	95

Series	Candela Ratings				ASWP		
	UL 1971	UL 1638 @ 77°F	UL 1638 @ -40°F	RSS, ET70WP and MTWP UL Max Current (Strobe Only)	High	Med	Low
2475W	30**	180	115	0.138	0.168	0.155	0.150
2475C	15	180	115	0.138	0.168	0.155	0.150
MCWH	135	135	56	0.300	0.355	0.340	0.335
	185	185	77	0.420	0.480	0.465	0.460
MCCH	115	115	47	0.300	0.355	0.340	0.335
	177	177	73	0.420	0.480	0.465	0.460
24185	185	185	77	0.420	**Wall mount rating only		
24177	177	177	73	0.420			

UL Max. Current (Audible)	MTWP/MT 24 VDC		MT 12 VDC	
	HI	STD	HI	STD
dBA				
Horn	0.108	0.044	0.177	0.034
Bell	0.053	0.024	0.095	0.020
March Time	0.104	0.038	0.142	0.034
Code 3 Horn	0.091	0.035	0.142	0.034
Code 3 Tone	0.075	0.035	0.105	0.021
Slow Whoop	0.098	0.037	0.142	0.035
Siren	0.104	0.036	0.152	0.030
Hi/Lo	0.057	0.025	0.114	0.026

Model Number	Agency Approvals				
	UL	MEA	CSFM	FM	BFP
<b>Strobe</b>					
RSSWP-2475	X	X	X	X	-
RSSWP-24MCWH	X	-	X	-	-
RSSWP-24MCCH	X	-	X	-	-
<b>Audible Strobe</b>					
ASWP-2475	X	X	X	X	X
ASWP-MCWH	X	-	X	-	-
ASWP-MCCH	X	-	X	-	-
<b>Multitone Strobe</b>					
MTWP-2475	X	X	X	X	-
MTWP-MCWH	X	-	X	-	-
MTWP-MCCH	X	-	X	-	-
<b>Horns/Audibles</b>					
AH-24WP	X	X	X	X	X
AH-12WP	X	X	X	X	X
MT-12/24	X	X	X	X	X
<b>Speaker Strobe</b>					
ET70WP-2475	X	-	X	X	-
ET70WP-185	X	-	X	X	-
ET70WP-177	X	-	X	X	-
ET70WP-115	X	-	X	X	-
ET70WP-135	X	-	X	X	-

## Mounting Accessories



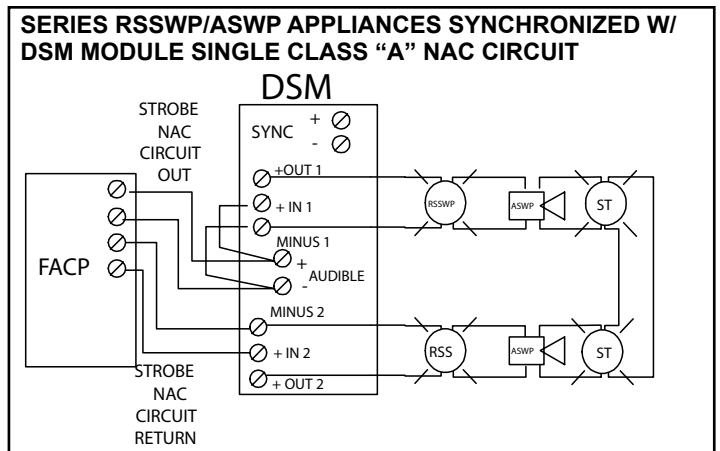
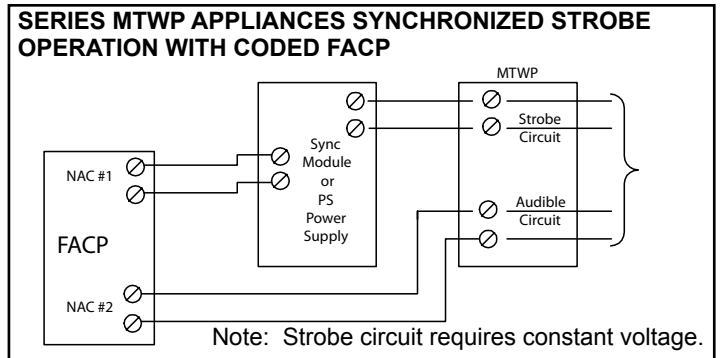
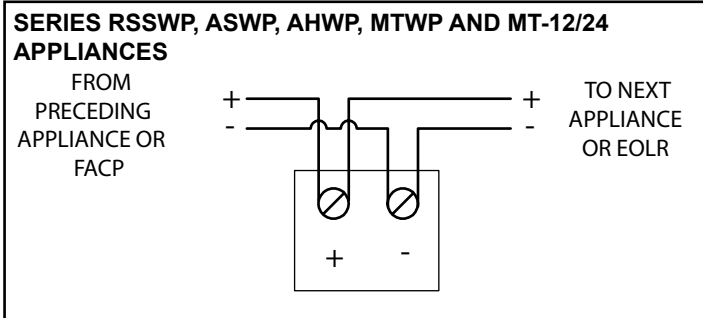
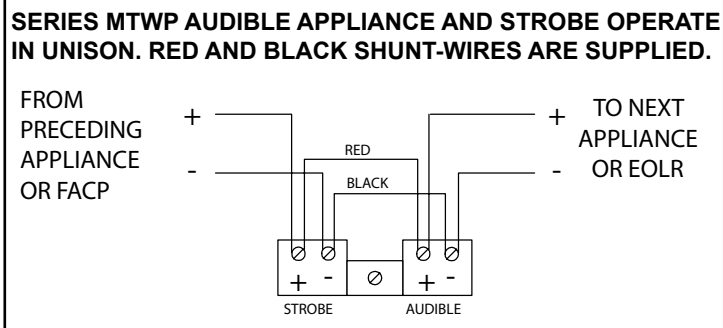
<b>Gasket Kit</b>		Order Code
WP-KIT		4486
<b>Flush Plates</b>		
WFPA-R	Red	4698
WFPA-W	White	4701
WFP-R	Red	4696
WFP-W	White	4697
<b>Backboxes</b>		
IOB-R*	Red	5046
IOB-W*	White	5047
WPSBB-R*	Red	9751
WPSBB-W*	White	3033
WPBB-R*	Red	9014
WPBB-W*	White	4692
WBB-R	Red	2959
WBB-W	White	2960

Mounting Options:

	Backboxes, Plates, Gasket Kits		
	Surface Mount		Flush Mount
	Exposed Conduit	Concealed Conduit	
RSSWP Strobes	WPSBB	WPSBB + WP-KIT	WFP
ET70WP Speaker Strobes	IOB	IOB + WP-KIT	WFP
ASWP Horn Strobes	WPBB	WPBB + WP-KIT	WFPA
AHWP Horns	WBB	-	WFP
ET-1010 Speakers	WBB	-	WFP
MTWP Multitone Horn Strobes	IOB	IOB + WP-KIT	WFP
Multitone Horn	IOB	IOB + WP-KIT	WFP

\*IOB, WPSBB and WPBB models include weep holes and plug in the event that moisture may have entered the appliance

## Wiring Diagrams



Note: Models are available in Red or White. Contact Customer Service for Order Code and Delivery.  
#Refer to Data Sheet S7000 for Mounting Options

**NOTE: Due to continuous development of our products, specifications and offerings are subject to change without notice in accordance with Cooper Wheelock Inc. dba Cooper Notification standard terms and conditions.**



## ARCHITECTS AND ENGINEERS SPECIFICATIONS

### General

Weatherproof notification appliances shall be UL listed for outdoor use. Weatherproof Strobe appliances shall be listed under UL Standard 1638 (Standard for Visual Signaling Appliances) for Indoor/Outdoor use and UL Standard 1971 (Standard for Safety Signaling Devices for Hearing Impaired). The appliances shall be available for optional wall mounting or ceiling mounting to weatherproof backboxes using either exposed conduit or concealed conduit, or semi-flush mounting to a recessed electrical box in walls or ceilings using Wheelock mounting accessories.

### Weatherproof Strobes

Weatherproof Strobe appliances shall produce a minimum flash rate of 60 flashes per minute over the UL Regulated Voltage Range of 16 to 33 VDC and shall incorporate a Xenon flashtube. The weatherproof strobes shall be available with UL 1971 candela ratings up to 185 cd for wall mounting and 177 cd for ceiling mounting. UL 1638 candela ratings up to 180 cd at 77°F shall be available. The strobes shall operate over an extended temperature range of -40°F to 150°F (-40°C to 66°C) and be listed for maximum humidity of 95% RH. Strobe inputs shall be polarized for compatibility with standard reverse polarity supervision of circuit wiring by a Fire Alarm Control Panel (FACP).

Weatherproof Audibles and Audible/Strobe Combinations Weatherproof horns and multitone audibles shall be listed for Indoor/Outdoor use under UL Standard 464. The horns shall be able to produce a continuous output or a temporal code-3 output that can be synchronized. The horns shall have at least 3 sound level settings. Horn/Strobe combinations shall be able to be synchronized on a single NAC.

Multitone audibles shall be able to produce 8 distinct tones selectable by dip switch and shall have at least 2 sound level settings. Multitone Audible/Strobe combinations shall have independent inputs for the audible and strobe. The strobes shall be able to be synchronized. The audibles shall be able to be coded when operated on a separate NAC.

### Weatherproof Speakers and Speaker/Strobes

Weatherproof speakers and speaker/strobes shall be listed for Indoor/Outdoor use under UL Standard 1480. All speakers shall provide field selectable taps for 1/8W to 8W operation for either 25 VRMS or 70 VRMS audio systems and shall incorporate a sealed back construction for extra protection and improved audibility. Speakers without strobes shall be Wheelock Series ET-1010. They shall be listed to produce up to 94 dBA and shall incorporate a vandal resistant grille design. Speaker with strobes shall be Wheelock Series ET70WP. They shall be available for surface or semi-flush mounting to walls or ceilings and shall be listed to produce up to 93 dBA.

### Synchronization Modules

When synchronization of strobes or temporal code-3 audibles is required, the appliances shall be compatible with the Wheelock Series DSM Sync Modules, Wheelock Power Supplies or other manufacturers panels with built-in Wheelock Patented Sync Protocol. The strobes and audibles shall not drift out of synchronization at any time during operation.

Series ASWP audibles and strobes shall be able to be synchronized on a 2-wire circuit with the ability to silence the audible if required. The strobes on Series MT multitone audible/strobe appliances shall be able to be synchronized and shall be able to be operated on a separate circuit from the audibles while the audible circuit is connected to a coded or continuous NAC.

### Weatherproof Mounting Accessories

Weatherproof mounting options shall include surface mounting or semi-flush mounting to walls or ceilings. Surface mounted appliances shall mount to Wheelock IOB, WBB, WPBB or WPSBB weatherproof backboxes using either exposed conduit or concealed conduit. For concealed conduit the weatherproof backbox shall be mounted to a recessed electrical box with Wheelock's WP-KIT to provide a weatherproof seal for the electrical box. Semi-flush mounted appliances shall mount to a recessed electrical box using Wheelock WFP or WFP-A flush plates to provide a weatherproof seal between the electrical box and the appliance.



WE ENCOURAGE AND SUPPORT NICET CERTIFICATION  
3 YEAR WARRANTY

### S9004 WP 11/12

**NJ Location**  
273 Branchport Ave.  
Long Branch, NJ 07740  
P: 800-631-2148  
F: 732-222-8707  
[www.coopernotification.com](http://www.coopernotification.com)

Cooper Notification is Wheelock®    

 **COOPER**Notification

# CRF-300(A)

## Relay Module



Addressable Devices

### General

The **CRF-300(A)** Addressable Relay Module provides the system with a dry-contact output for activating a variety of auxiliary devices, such as fans, door holders, dampers, control equipment, etc. Addressability allows the dry contact to be activated through panel programming, on a select basis.

LiteSpeed™ is a communication protocol developed by Fire•Lite Engineering that greatly enhances the speed of communication between analog intelligent devices. Intelligent devices communicate in a grouped fashion. If one of the devices within the group has new information, the panel CPU stops the group poll and concentrates on single points. The net effect is response speed greater than five times that of other designs.

### Features

- Built-in type identification automatically identifies these devices to the control panel.
- Internal circuitry and relay powered directly by two-wire SLC loop.
- Integral LED “blinks” green each time a communication is received from the control panel and turns on in steady red when activated.
- High noise immunity (EMF/RFI).
- Wide viewing angle of LED.
- SEMS screws with clamping plates for wiring ease.
- Direct-dial entry of address: 01– 159 for MS-9600(A) series panels, 01 – 99 on MS-9200UDLS(A) and MS-9050UD(A).

### Applications

The CRF-300(A) may be programmed to operate dry contacts for door holders, Air Handling Unit shutdown, etc., and to reset four-wire smoke detector power.

### Construction

- The face plate is made of off-white heat-resistant plastic.
- Controls include two rotary switches for direct-dial entry of address setting.
- The CRF-300(A) is configured for a single Class B (Style Y) or Class A (Style Z) Notification Appliance Circuit.
- The CRF-300(A) provides two Form-C dry contacts that switch together.

### Operation

Each CRF-300(A) uses one of the addresses on a SLC loop. It responds to regular polls from the control panel and reports its type and status, including the open/normal/short status of its Notification Appliance Circuit (NAC). The LED blinks with each poll received. On command, it activates its internal relay.

**NOTE:** Open/short supervision is suspended with the CRF-300.

Rotary switches set a unique address for each module. The address may be set before or after mounting. The built-in TYPE CODE (not settable) will identify the module to the control panel, so as to differentiate between a control module and a relay module.



CRF-300(A)

### Specifications

**Normal operating voltage:** 15 to 32 VDC.

**Maximum SLC current draw:** 6.5 mA (LED on).

**Average operating current:** 230  $\mu$ A direct poll (CLIP mode), 255  $\mu$ A group poll (LiteSpeed mode) with LED flashing.

**EOL resistance:** not used.

**Temperature range:** 32°F to 120°F (0°C to 49°C).

**Humidity range:** 10% to 93% non-condensing.

**Dimensions:** 4.5" (11.43 cm) high x 4" (10.16 cm) wide x 1.25" (3.175 cm) deep. Mounts to a 4" (10.16 cm) square x 2.125" (5.398 mm) deep box.

### Relay Contact Ratings

Load Description	Application	Maximum Voltage	Current Rating
Resistive	Non-Coded	30 VDC	3.0 A
Resistive	Coded	30 VDC	2.0 A
Resistive	Non-Coded	110 VDC	0.9 A
Resistive	Non-Coded	125 VAC	0.9 A
Inductive (L/R=5ms)	Coded	30 VDC	0.5 A
Inductive (L/R=2ms)	Coded	30 VDC	1.0 A
Inductive (PF=0.35)	Non-Coded	125 VAC	0.5 A

## Agency Listings and Approvals

In some cases, certain modules may not be listed by certain approval agencies, or listing may be in process. Consult factory for latest listing status.

- **UL:** S2424
- **ULC:** S2424
- **FM approved**
- **CSFM:** 7300-0075:185
- **MEA:** 72-01-E

## Product Line Information

**CRF-300(A):** Intelligent addressable relay module.

: Intelligent addressable relay module, ULC listed model.

**SMB500:** Optional surface-mount backbox.

**NOTE:** For installation instructions, see document 156-1190-005 and refer to the SLC Wiring Manual, document 51309.

---

**LiteSpeed™** is a trademark and **Fire•Lite®** Alarms is a registered trademark of Honeywell International Inc.  
©2009 by Honeywell International Inc. All rights reserved. Unauthorized use of this document is strictly prohibited.



This document is not intended to be used for installation purposes.  
We try to keep our product information up-to-date and accurate.  
We cannot cover all specific applications or anticipate all requirements.  
All specifications are subject to change without notice.



Made in the U.S. A.

For more information, contact Fire•Lite Alarms. Phone: (800) 627-3473, FAX: (877) 699-4105.  
[www.firelite.com](http://www.firelite.com)

# SD355(A) Series

## Addressable Photoelectric Smoke Detectors



Addressable Devices

### General

The **SD355(A)**, **SD355T(A)**, and **SD355R(A)** addressable, low-profile plug-in photoelectric detectors use a state-of-the-art photoelectric sensing chamber with communications to provide open area protection and are used exclusively with Fire•Lite's Addressable Fire Alarm Control Panels (FACPs). The **SD355T(A)** adds thermal sensors that will alarm at a fixed temperature of 135°F (57°C). Since these detectors are addressable, they will help emergency personnel quickly locate a fire during its early stages, potentially saving precious rescue time while also reducing property damage. Two LEDs on each sensor light to provide a local, visible sensor indication. Remote LED annunciator capability is available as an optional accessory, PN RA100Z(A). The **SD355R(A)** is a remote test capable detector for use with D355PL(A) or DNR(A)/DNRW duct smoke detector housings.

### Features

#### SLC loop

- Two-wire loop connection.
- Unit uses base for wiring.

#### Addressing

- Addressable by device.
- Rotary, decimal addressing: 01 – 99 with MS-9200 series, and 01 – 159 with MS-9600 series.

#### Architecture

- Unique single-source, dual-chamber design to respond quickly and dependably to a broad range of fires.
- Sleek, low-profile design.
- Integral communications and built-in type identification.
- Built-in tamper-resistant feature.
- Removable cover and insect-resistant screen for simple field cleaning.

#### Operation

- Withstands air velocities up to 4,000 feet-per-minute (20 m/sec.) without triggering a false alarm.
- Factory preset at 1.5% nominal sensitivity for panel alarm threshold level.
- Visible LED “blinks” when the unit is addressed (communicating with the fire panel) and latches on in alarm.

#### Mechanicals

- Sealed against back pressure.
- Direct surface mounting or electrical box mounting.
- Mounts to: single-gang box, 3.5" (8.89 cm) or 4.0" (10.16 cm) octagonal box, or 4.0" (10.16 cm) square electrical box (*using a plaster ring — included*).

#### Other system features

- Fully coated circuit boards and superior RF/transient protection.
- 94-V0 plastic flammability rating.
- Low standby current.

#### Options

- Remote LED output connection, PN RA100Z(A).



SD355(A) in B210LP(A) Base

B210-2851.jpg

### Applications

Use photoelectric detectors in life-safety applications to provide a broad range of fire-sensing capability, especially where smoldering fires are anticipated. Ionization detectors are often better than photoelectric detectors at sensing fast, flaming fires.

### Construction

These detectors are constructed of off-white fire resistant plastic. SD355(A) series plug-in, low-profile smoke detectors are designed to commercial standards and offer an attractive appearance.

### Installation

SD355(A) series plug-in detectors use a detachable mounting base to simplify installation, service and maintenance.

Mount base (all base types) on an electrical backbox which is at least 1.5" (3.81 cm) deep. For a chart of compatible junction boxes, see *DF-60059*.

**NOTE:** *Because of the inherent supervision provided by the SLC loop, end-of-line resistors are not required. Wiring “T-taps” or branches are permitted for Style 4 (Class B) wiring. SD355R(A) mounts in a D355PL(A) or DNR(A)/DNRW duct detector housing.*

### Operation

Each SD355(A) series detector uses one of 99 possible addresses on the MS-9200 series and up to 318 (159 on each loop) on the MS-9600 series Signaling Line Circuit (SLC). It responds to regular polls from the system and reports its type and status.

The addressable photoelectric sensor in the SD355(A) series has a unique unipolar chamber that responds quickly and uniformly to a broad range of smoke conditions. It can withstand wind gusts up to 4,000 feet-per-minute (20 m/sec.) without sending an alarm level signal. Because of its unipolar chamber, the SD355(A) series is approximately two times more responsive than most photoelectric sensors. This makes it a more stable detector.

## Detector Sensitivity Test

Each detector can have its sensitivity tested (required per NFPA 72, Chapter 14 on *Inspection, Testing and Maintenance*) when installed/connected to a MS-9200 series or MS-9600 series addressable fire alarm control panel. The results of the sensitivity test can be printed off the MS-9200 series or MS-9600 series for record keeping.

## Specification

**Voltage range:** 15 – 32 VDC (peak).

**Standby current:** 300 µA @ 24 VDC.

**LED current:** 6.5 mA @ 24 VDC (latched "ON").

**Air velocity:** 4,000 ft./min. (20 m/sec.) maximum.

**Size:** 2.1" (5.33 cm) high; base determines diameter.

- **B210LP(A):** 6.1" (15.5 cm) diameter.
- **B501(A):** 4.1" (10.4 cm) diameter.
- **B200SR(A):** 6.875" (17.46 cm) diameter.
- **B224RB(A):** 6.2" (15.748 cm) diameter.

**Weight:** 3.6 oz. (102 g).

**Operating temperature range:** for **SD355(A):** 0°C to 49°C (32°F to 120°F); for **SD355T(A):** 0°C to 38°C (32°F to 100°F). **SD355R(A):** installed in a DNR(A)/DNRW -20°C to 70°C (-4°F to 158°F).

**Temperature:** 0°C – 49°C (32°F – 120°F).

**Relative humidity:** 10% – 93%, non-condensing.

## Listings

Listings and approvals below apply to the SD355(A), SD355T(A), and SD355RT(A) detectors. In some cases, certain modules may not be listed by certain approval agencies, or listing may be in process. Consult factory for latest listing status.

- **UL Listed:** S1059.
- **ULC Listed:** S1059.
- **CSFM:** 7272-0075:0194.
- **MEA:** 243-02-E.
- **FM approved.**

## Product Line Information

**NOTE:** "A" suffix indicates ULC Listed model.

**SD355:** Addressable photoelectric detector; B210LP base included.

**SD355A:** Same as SD355 with ULC Listing; B210LPA base included.

**SD355T:** Same as SD355 but with **thermal** element; B210LP base included.

**SD355TA:** Same as SD355T with ULC Listing; B210LPA base included.

**SD355R:** Remote test capable addressable photoelectric detector for use with a D355PL(A) or DNRA/DNRW duct detector housing; B210LP base included.

**SD355RA:** Same as SD355R with ULC Listing for use with a D355PLA or DNRA duct detector housing; B210LPA base included.

## INTELLIGENT BASES

**NOTE:** "A" suffix indicates ULC Listed model.

**NOTE:** The detector's plug-in base can be changed off for special applications. For details about intelligent bases and their mounting, see DF-60059.

**B210LP(A):** Plug-in detector base (included); standard U.S. flanged low-profile mounting base.

**B210LPBP:** Bulk pack of B210LP; package contains 10.

**B501(A):** Standard European flangeless mounting base.

**B501BP:** Bulk pack of B501; package contains 10.

**B200SR(A):** Intelligent sounder base capable of producing sound output with ANSI Temporal 3 or continuous tone. Replaces B501BH series bases in retrofit applications.

**B224RB(A):** Plug-in System Sensor **relay** base. Screw terminals: up to 14 AWG (2.0 mm<sup>2</sup>). Relay type: Form-C. Rating: 2.0 A @ 30 VDC resistive; 0.3 A @ 110 VDC inductive; 1.0 A @ 30 VDC inductive.

**B224BI(A):** Plug-in System Sensor **isolator** detector base. Maximum 25 devices between isolator bases (see DF-52389).

## ACCESSORIES

**F110:** Retrofit flange to convert B210LP(A) to match the B350LP(A) profile, or to convert older high-profile bases to low-profile.

**F110BP:** Bulk pack of F110; package contains 15.

**F210:** Replacement flange for B210LP(A) base.

**RA100Z(A):** Remote LED annunciator. 3 – 32 VDC. Mounts to a U.S. single-gang electrical box. For use with B501(A) and B210LP(A) bases only.

**SMB600:** Surface mounting kit

**M02-04-00:** Test magnet.

**M02-09-00:** Test magnet with telescoping handle.

**XR2B:** Detector removal tool. Allows installation and/or removal of detector heads from bases in high ceiling applications.

**XP-4:** Extension pole for XR2B. Comes in three 5-foot (1.524 m) sections.

**T55-127-010:** Detector removal tool without pole.

**BCK-200B:** Black detector covers for use with SD355(A) only; box of 10.

**WCK-200B:** White detector covers for use with SD355(A) only; box of 10.

Fire•Lite® Alarms is a registered trademark of Honeywell International Inc. ©2011 by Honeywell International Inc. All rights reserved. Unauthorized use of this document is strictly prohibited.



This document is not intended to be used for installation purposes.  
We try to keep our product information up-to-date and accurate.  
We cannot cover all specific applications or anticipate all requirements.  
All specifications are subject to change without notice.



Made in the U.S.A.

For more information, contact Fire•Lite Alarms. Phone: (800) 627-3473, FAX: (877) 699-4105.  
[www.firelite.com](http://www.firelite.com)