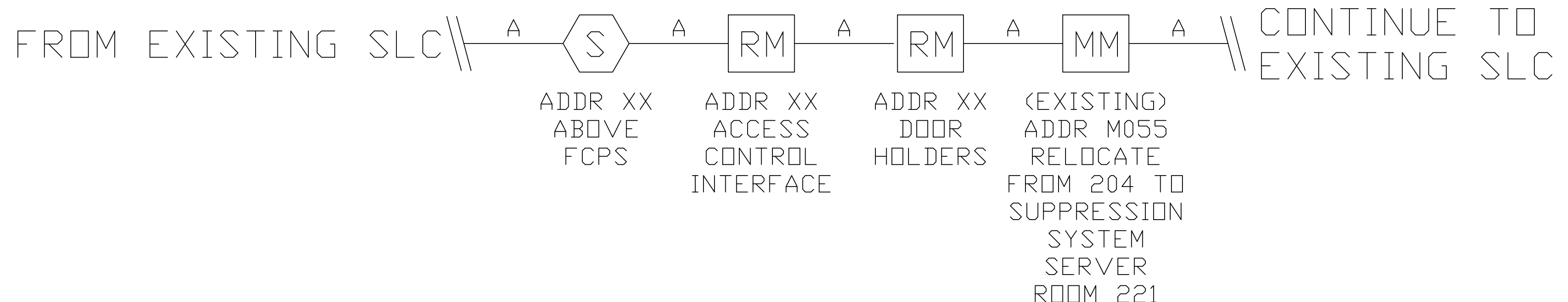
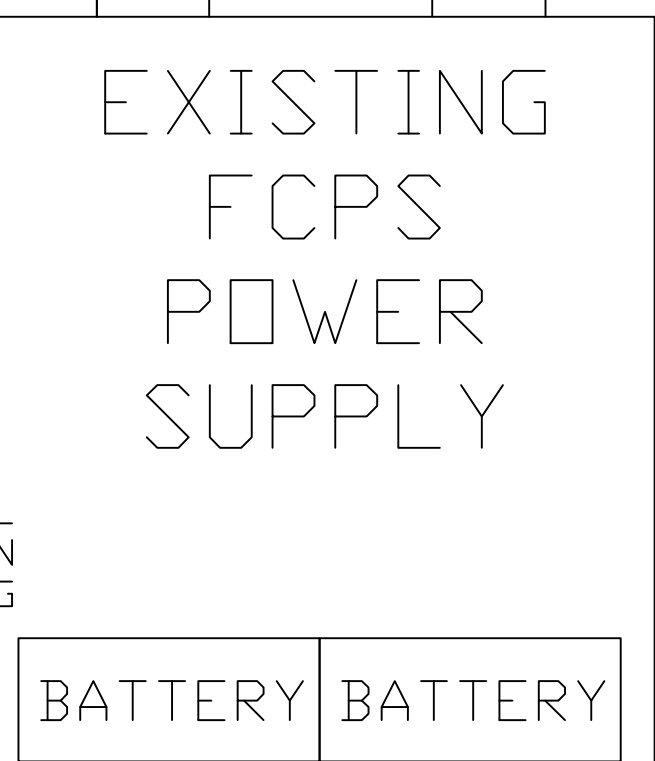
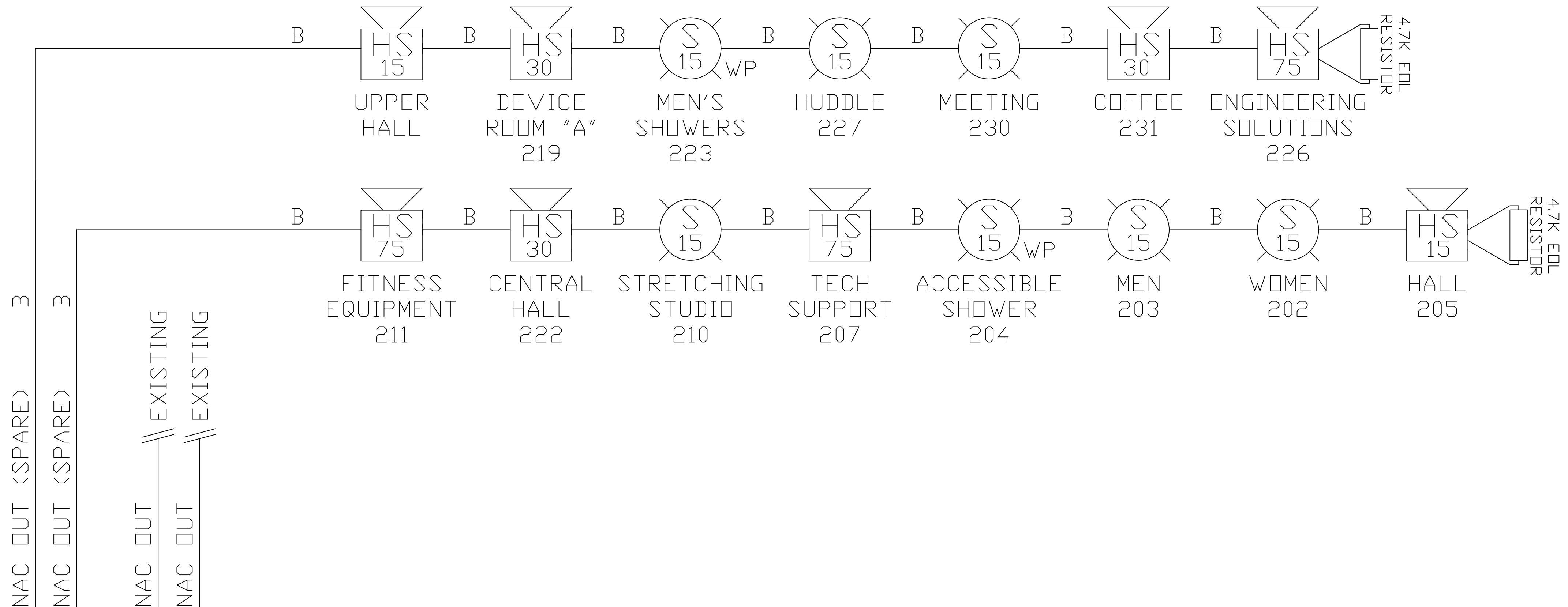


120VAC FROM DEDICATED LOCKING CIRCUIT

RELOCATE TO "ELECTRICAL" IN FITNESS EQUIPMENT 211



LEGEND

- MONITOR MODULE
- RELAY MODULE
- SMOKE DETECTOR
- HORN/STROBE (XX NOTES CANDELA)
- STROBE (XX NOTES CANDELA) (WP NOTES WEATHERPROOF)

WIRING LEGEND

- A 1 PR #16 AWG TWISTED PAIR FPL CABLE
- B 1 PR #14 AWG FPL CABLE

DEVICE ADDRESSES:

DEVICES ARE TO BE ADDRESSED BY THE INSTALLER ACCORDING TO EXISTING SLC LOOP DEVICES. EACH DEVICE MUST BE LABELED WITH THE LOOP AND SLC ADDRESS. DEVICE EXAMPLE: L1001 MODULE EXAMPLE: L1M001 IMPORTANT! DUPLICATE ADDRESSES BETWEEN DEVICES AND MODULES ARE NOT AN ERROR. NOTE: PULL STATIONS ARE IDENTIFIED AS MODULES BY THE FIRE ALARM CONTROL PANEL.

INSTALLATION NOTES:

FIELD WIRING SHALL BE INSTALLED FOLLOWING THE CURRENT EDITION OF NFPA 70: NATIONAL ELECTRIC CODE(2014), ALL APPLICABLE MUNICIPAL, COUNTY, & STATE CODES, REQUIREMENTS, AND REGULATIONS, AS WELL AS ALL MANUFACTURER GUIDELINES FOR INSTALLATION. CONTROL PANELS, DEVICES, AND ALL OTHER SYSTEM COMPONENTS SHALL BE INSTALLED FOLLOWING THE CURRENT EDITION OF NFPA 72: NATIONAL FIRE ALARM AND SIGNALING CODE(2013), ALL APPLICABLE MUNICIPAL, COUNTY, & STATE CODES, REQUIREMENTS, AND REGULATIONS, AS WELL AS ALL MANUFACTURER GUIDELINES FOR INSTALLATION. THE INSTALLER SHALL FOLLOW CORRECT CONDUCTOR POLARITY, INDICATED CIRCUIT DIVISIONS, PROPER GROUNDING AND SHIELDING WITHOUT EXCEPTION. IMPROPER INSTALLATION CAN RESULT IN INTERFERENCE, TRANSIENT VOLTAGE, OR SHORT CIRCUITS CAUSING UNDESIRABLE OPERATION OR DAMAGE TO THE CONTROL PANEL, DEVICES AND ANY OTHER INTEGRATED COMPONENTS. THE INSTALLER SHALL FOLLOW GUIDELINES AND LIMITATIONS SET FORTH BY THE MANUFACTURER. THE SLC WIRING RISER IS SHOWN DIAGRAMMATICALLY ONLY TO ALLOW FOR VARIANCES IN ACTUAL WIRE DISTANCE, DEVICE PLACEMENT AND STRUCTURAL OR ENVIRONMENTAL REQUIREMENTS. WIRE FOR THE NOTIFICATION APPLIANCE CIRCUITS (IDENTIFIED AS 'B' ON THIS PRINT), SHALL FOLLOW THE SPECIFIC REQUIREMENTS OF THE WIRING LEGEND. THIS WAS DETERMINED BY THE AVAILABLE DIMENSIONED OR SCALED FLOOR PLAN DEVICE LAYOUT. PLEASE REFERENCE THE VOLTAGE DROP CALCULATIONS LOCATED ON THIS PRINT FOR DISTANCE LIMITATIONS. THE INDICATED DISTANCES IN THE VOLTAGE DROP CALCULATIONS FOR EACH CIRCUIT SHALL BE CONSIDERED THE MAXIMUM LENGTH. ANY DISTANCES EXCEEDING THOSE IN THE VOLTAGE DROP CALCULATIONS MUST BE BROUGHT TO THE ATTENTION OF NORRIS INC. TO ASSURE PROPER FUNCTIONALITY AND COMPLIANCE OF THE NOTIFICATION APPLIANCES. THIS SYSTEM MEETS NFPA REQUIREMENTS FOR OPERATION AT 32-120°F AND A RELATIVE HUMIDITY OF 91-95% AT 87-93°F. HOWEVER, THE USEFUL LIFE OF THE SYSTEM'S STANDBY BATTERIES AND THE ELECTRONIC COMPONENTS MAY BE ADVERSELY AFFECTED BY EXTREME TEMPERATURE RANGES AND HUMIDITY. THEREFORE, IT IS RECOMMENDED THAT THIS SYSTEM AND ITS PERIPHERALS BE INSTALLED IN AN ENVIRONMENT WITH A NORMAL ROOM TEMPERATURE OF 60-80°F. END OF LINE DEVICES MUST BE INSTALLED IN AN EASILY ACCESSIBLE LOCATION AND CLEARLY MARKED OR LABELED.

DESIGN NOTES:

SYSTEM DESIGN PERFORMANCE AND COMPLIANCE WITH ALL APPLICABLE CODES AND REQUIREMENTS IS THE RESPONSIBILITY OF THE DESIGNING ENGINEER. PROPER INSTALLATION OF THIS SYSTEM AND ITS COMPONENTS IS THE RESPONSIBILITY OF THE INSTALLING CONTRACTOR. ANY ALTERATIONS, CHANGES, OR DEFICIENCIES MUST BE BROUGHT TO THE ATTENTION OF THE DESIGNING ENGINEER. NORRIS INC. ASSUMES NO RESPONSIBILITY FOR ERRORS IN SYSTEM DESIGN OR INSTALLATION, AS WELL AS ANY COSTS ASSOCIATED WITH CORRECTING THESE ERRORS, IF ANY EXIST, UNLESS SYSTEM DESIGN OR INSTALLATION WAS PERFORMED BY NORRIS INC.

REVISION 2	DATE:
REVISION 1	DATE:
REVISION 0 SUBMITTAL	DATE: 10/05/2014

FACP ADDITION WIRING RISER	
PROJECT NAME	SCALE NTS
KEPWARE FIT UP 400 CONGRESS STREET PORTLAND, ME	BY: JRS
	CK BY:

NORRIS INC
Prepared For Tomorrow, Delivered Today
2257 BROADWAY, SOUTH PORTLAND, MAINE

SAVED AS: