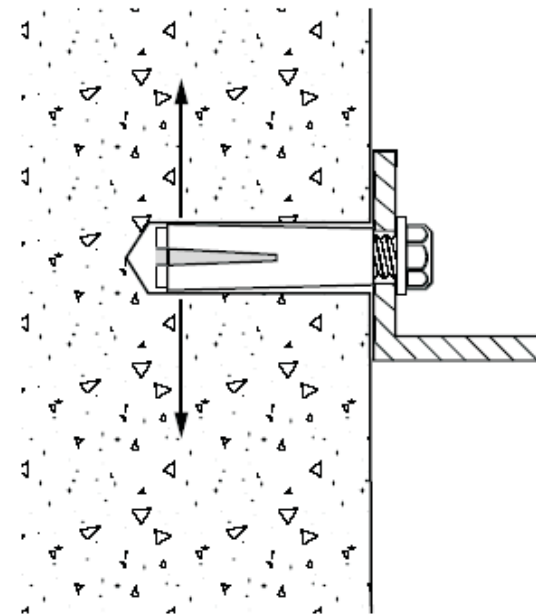




PHOTO COMPOSITE
NO SCALE

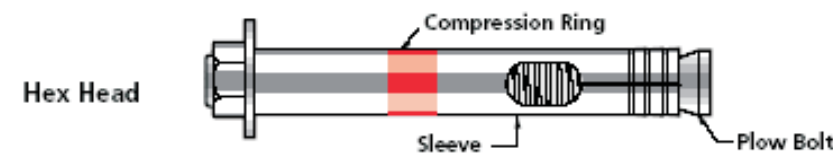


SITE PLAN
NO SCALE



Powers fASTENERS, New Rochelle, NY
Lok-Bolt™ Anchoring System

- Anchoring into Concrete and Masonry Substrates
- Suitable for Solid and Hollow Base Materials
- A Pre-assembled Single Unit Sleeve Anchor
- Patented Compression Ring Pulls Fixture Flush to the Work Surface
- Available in Carbon Steel and Type 304 Stainless Steel
- Several Head Styles Available for Various Applications
- Size Range: 1/4" diameter x 5/8" to 3/4" diameter x 7-1/2"



NEOKRAFT SIGNS

Neokraft Signs Inc.
686 Main Street
Lewiston, Maine 04240
Telephone: 207.782.9654
Facsimile: 207.782.0009
1.800.339.2258
<http://www.neokraft.com>

Custom Sign Fabrication

These plans are the exclusive property of Neokraft Signs, Inc. and are the result of the original work of its employees. They are submitted to Neokraft's client for the sole purpose of consideration of whether to purchase these plans or to purchase from Neokraft a sign manufactured according to these plans.

Distribution or exhibition of these plans to anyone other than employees of said client, or use of these plans to construct a sign similar to the one embodied herein, is expressly forbidden. In the event that such exhibition or construction occurs, Neokraft expects to be reimbursed \$1500 in compensation for time and effort entailed in creating these plans.

PERMIT DRAWING

SYSTEMS ENGINEERING 1340.1

LOCATION:	120 EXCHANGE STREET
	PORTLAND, MAINE
DRAWING NO.:	2 OF 2
DRAWN BY:	PFAT REP.:MM
DATE:	06.10.2016
LEAD NO.:	ML023323
GEN REF.:	