

Prepared For:

Consulting Engineer:

ARCHETYPE architects
48 Union Wharf Portland, Maine 04101
(207) 772-6022 Fax (207) 772-4056

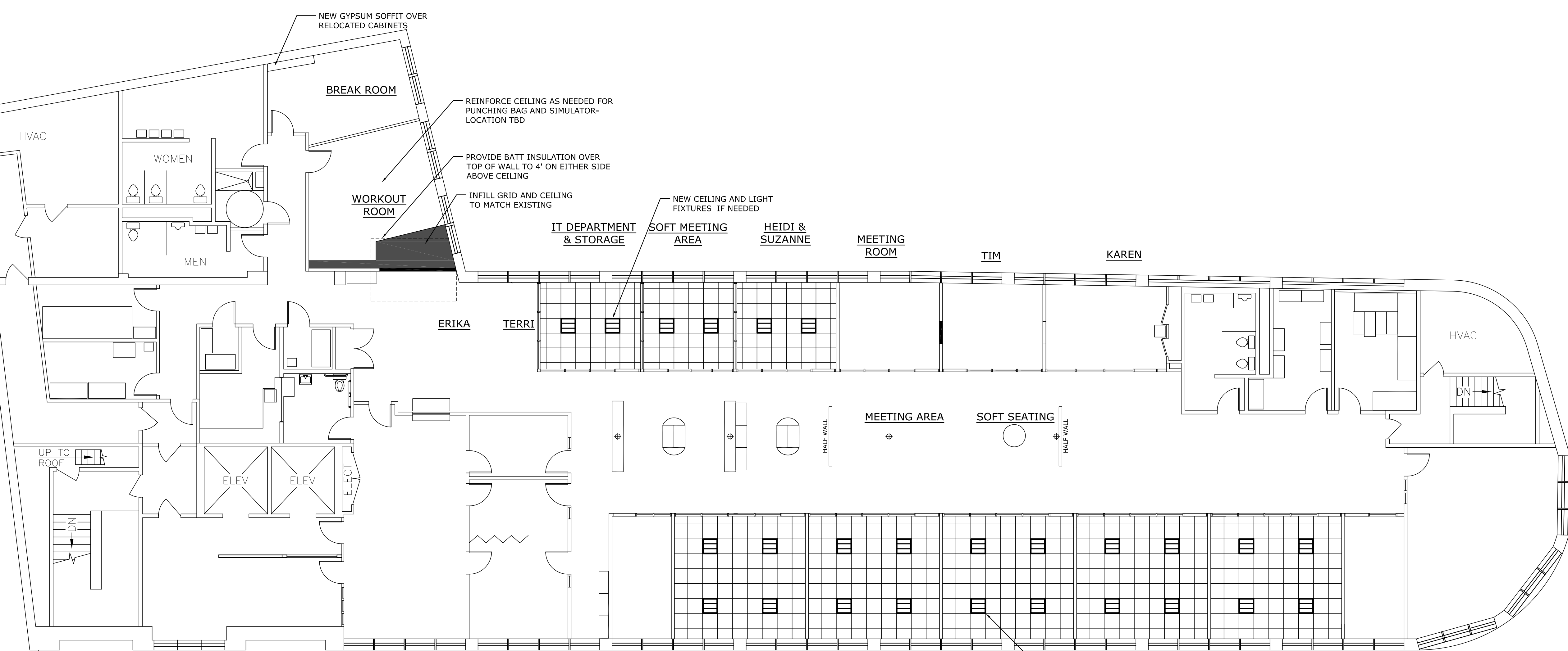
Project: U.S. PROBATION OFFICE
400 CONGRESS STREET
PORTLAND, MAINE 04101

Revisions:

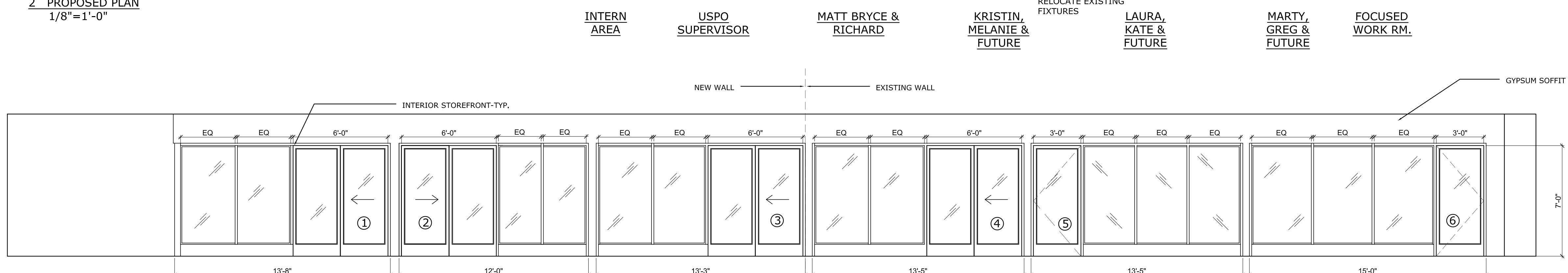
Date: February 4th, 2015
Scale: As Noted

CEILING AND INTERIOR ELEVATIONS

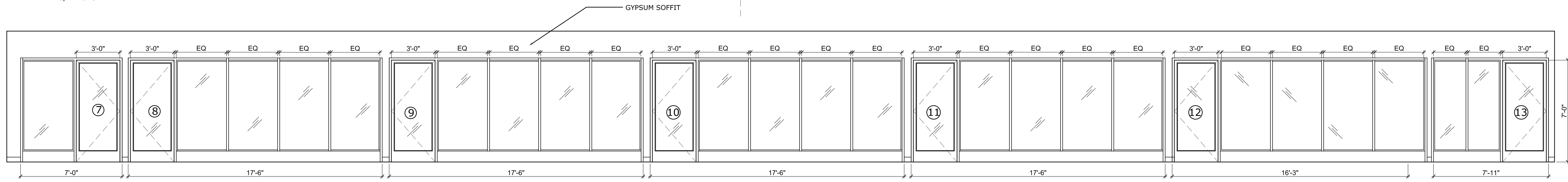
A1.02



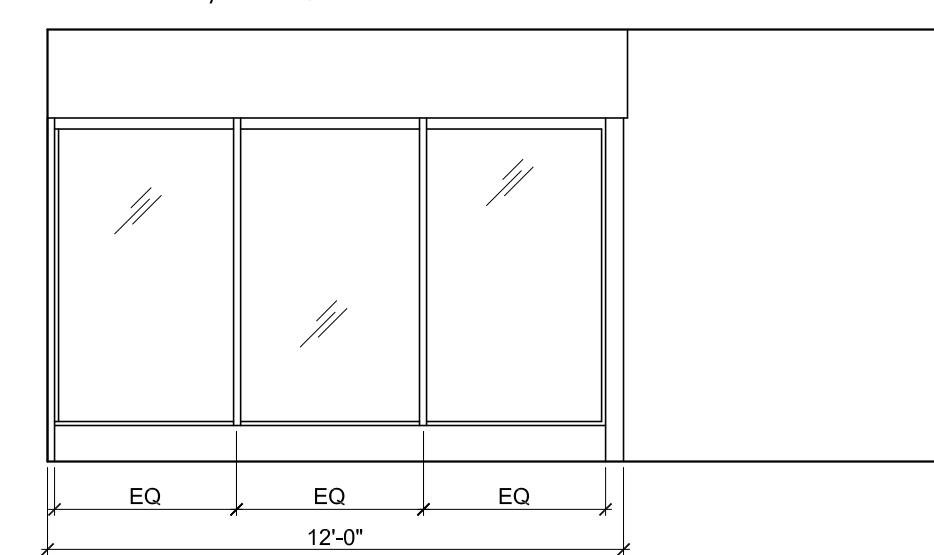
2 PROPOSED PLAN
1/8"=1'-0"



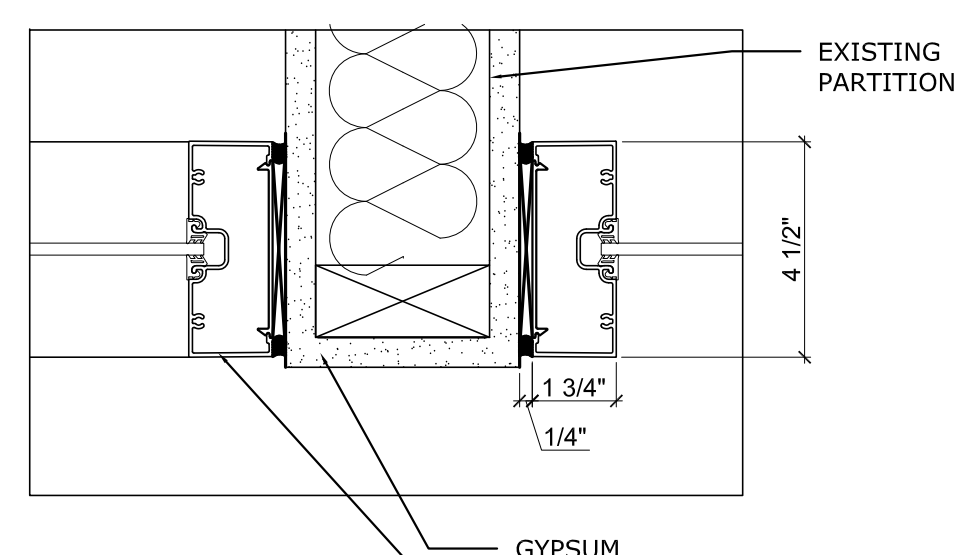
A INTERIOR ELEVATION
1/4"=1'-0"



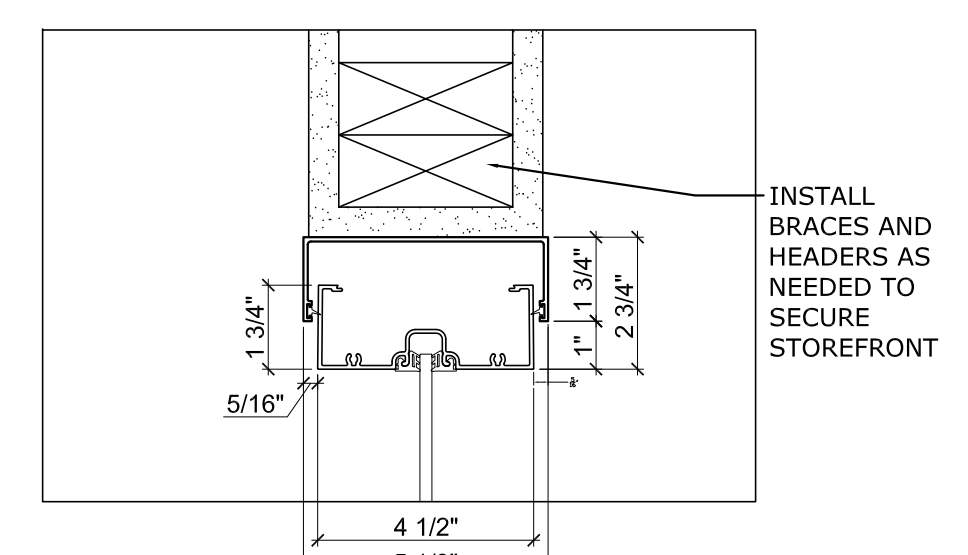
B INTERIOR ELEVATION
1/4"=1'-0"



C INTERIOR ELEVATION
1/4"=1'-0"



C DETAIL AT JAMB
3"=1'-0"



D DETAIL AT HEAD
3"=1'-0"

