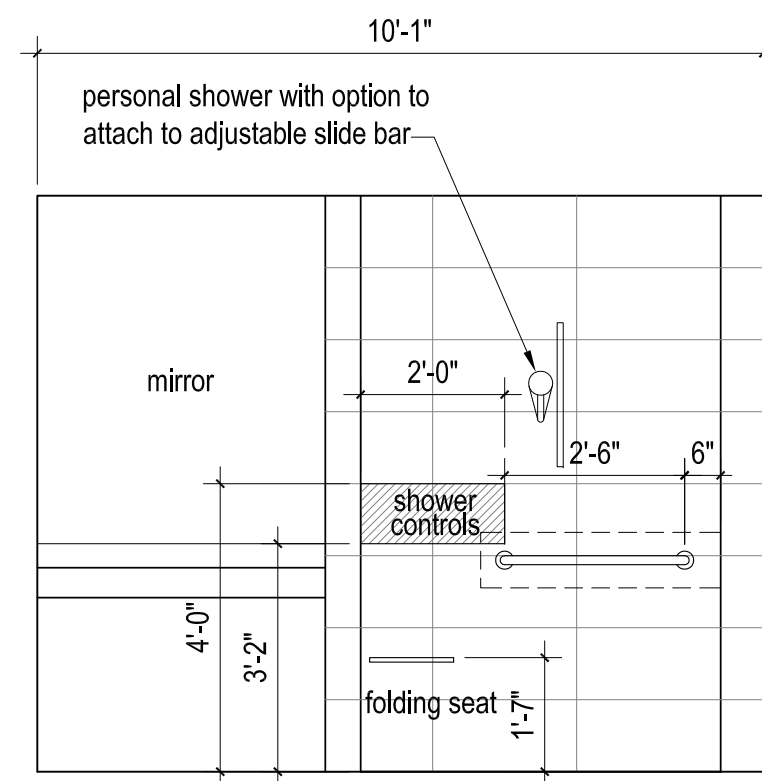
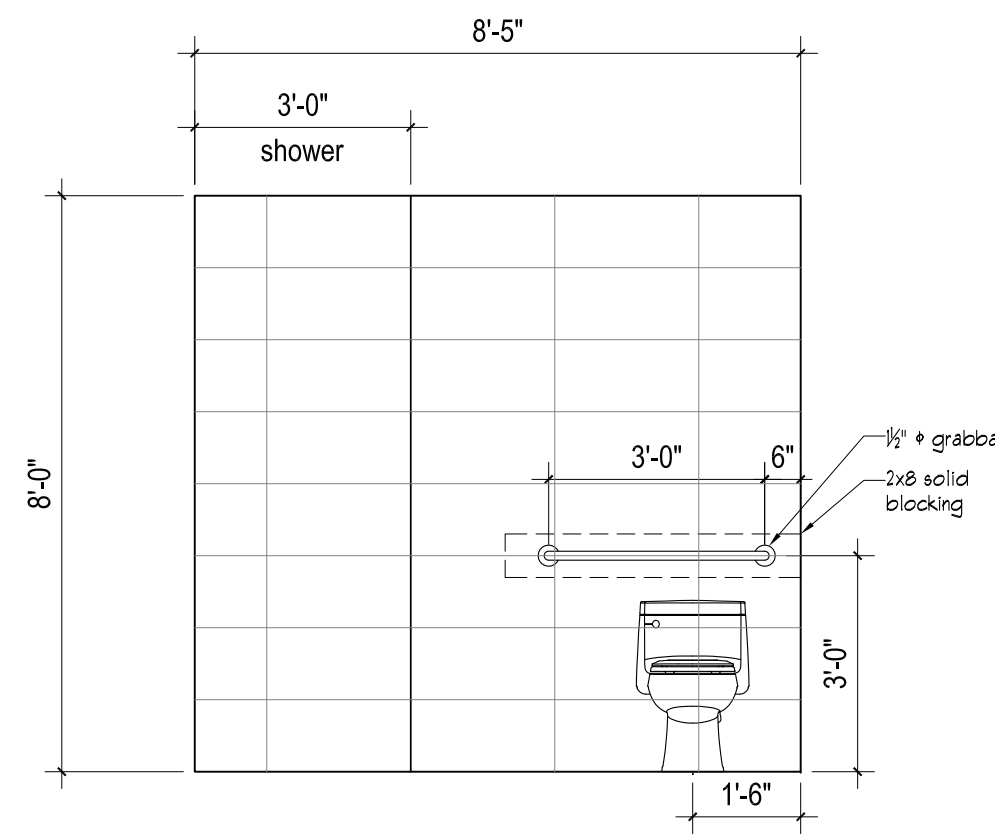


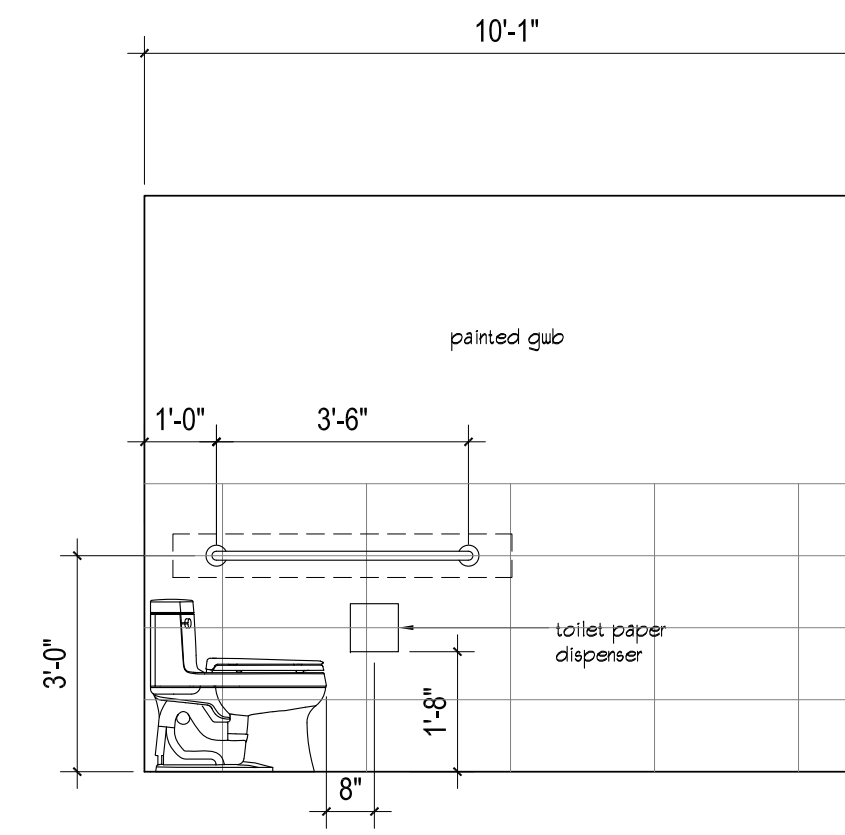
7 Interior Elevation
3/8" = 1'-0"



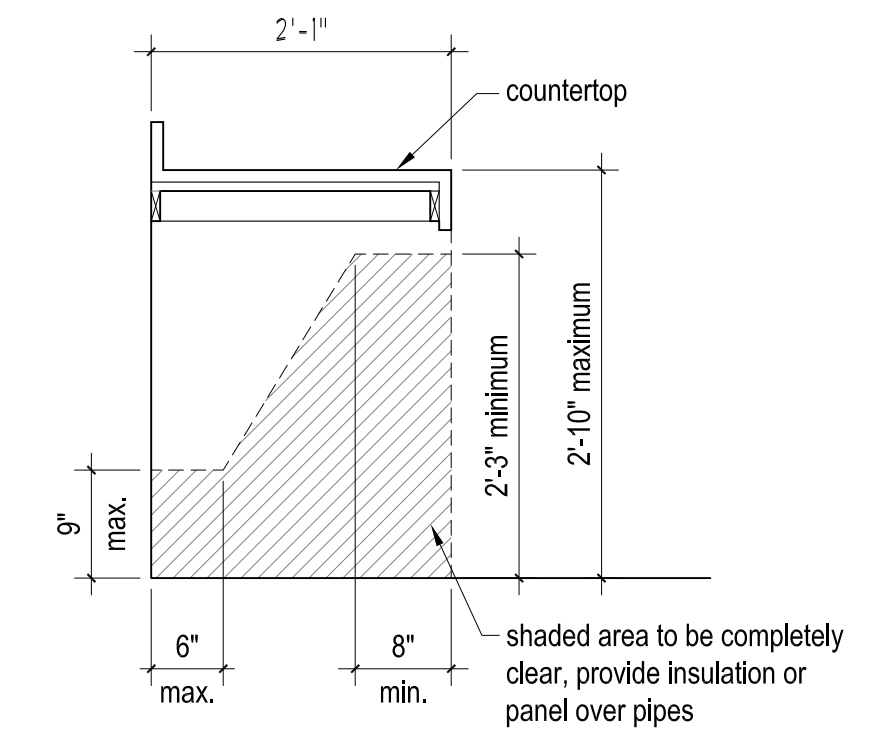
6 Interior Elevation
3/8" = 1'-0"



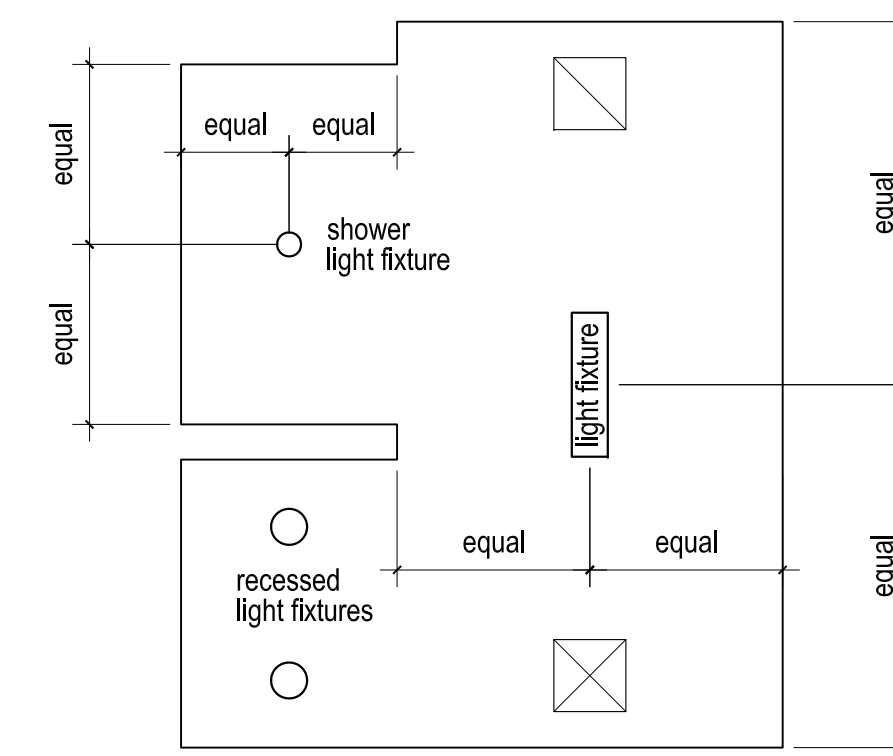
5 Interior Elevation
3/8" = 1'-0"



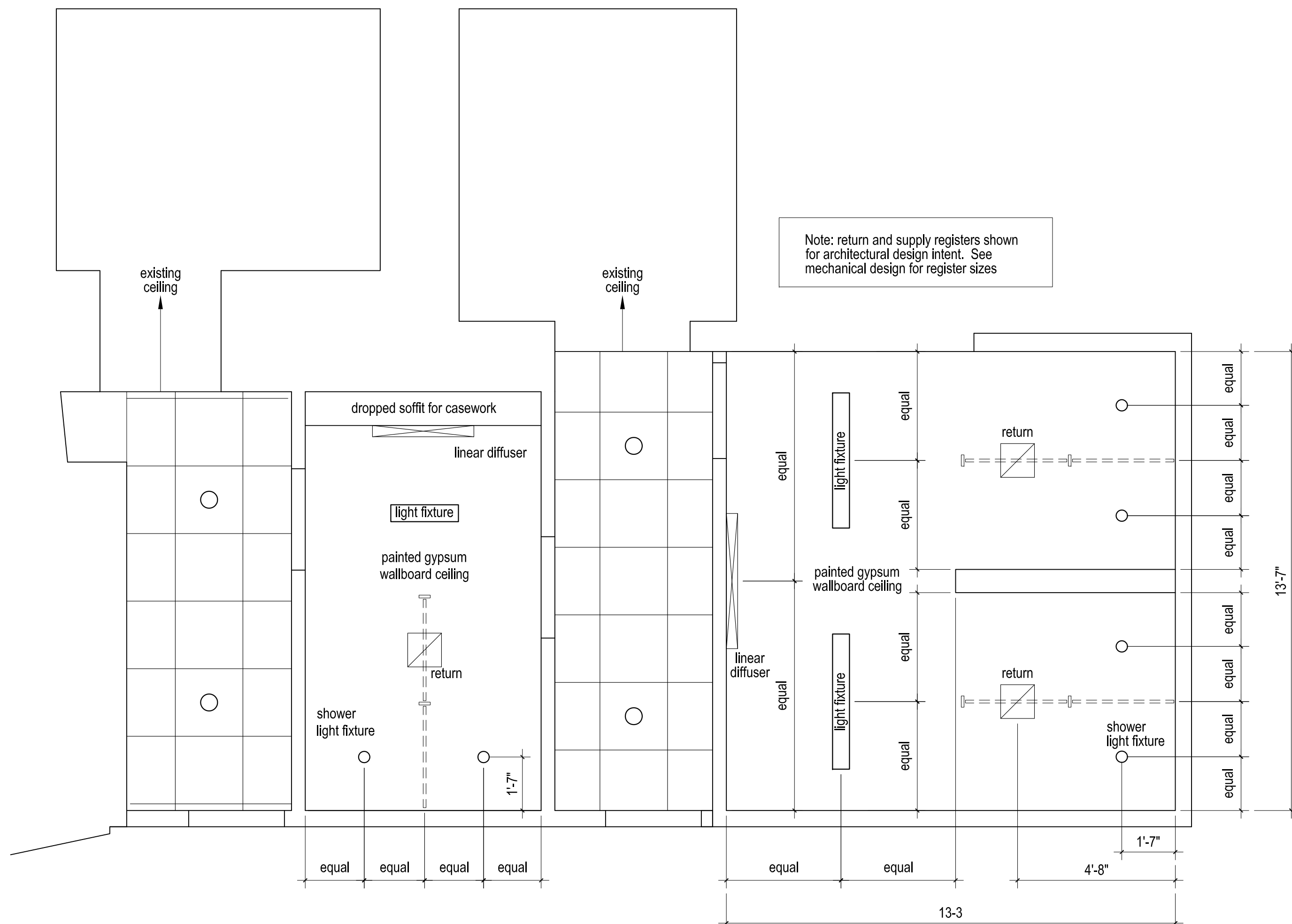
4 Interior Elevation
3/8" = 1'-0"



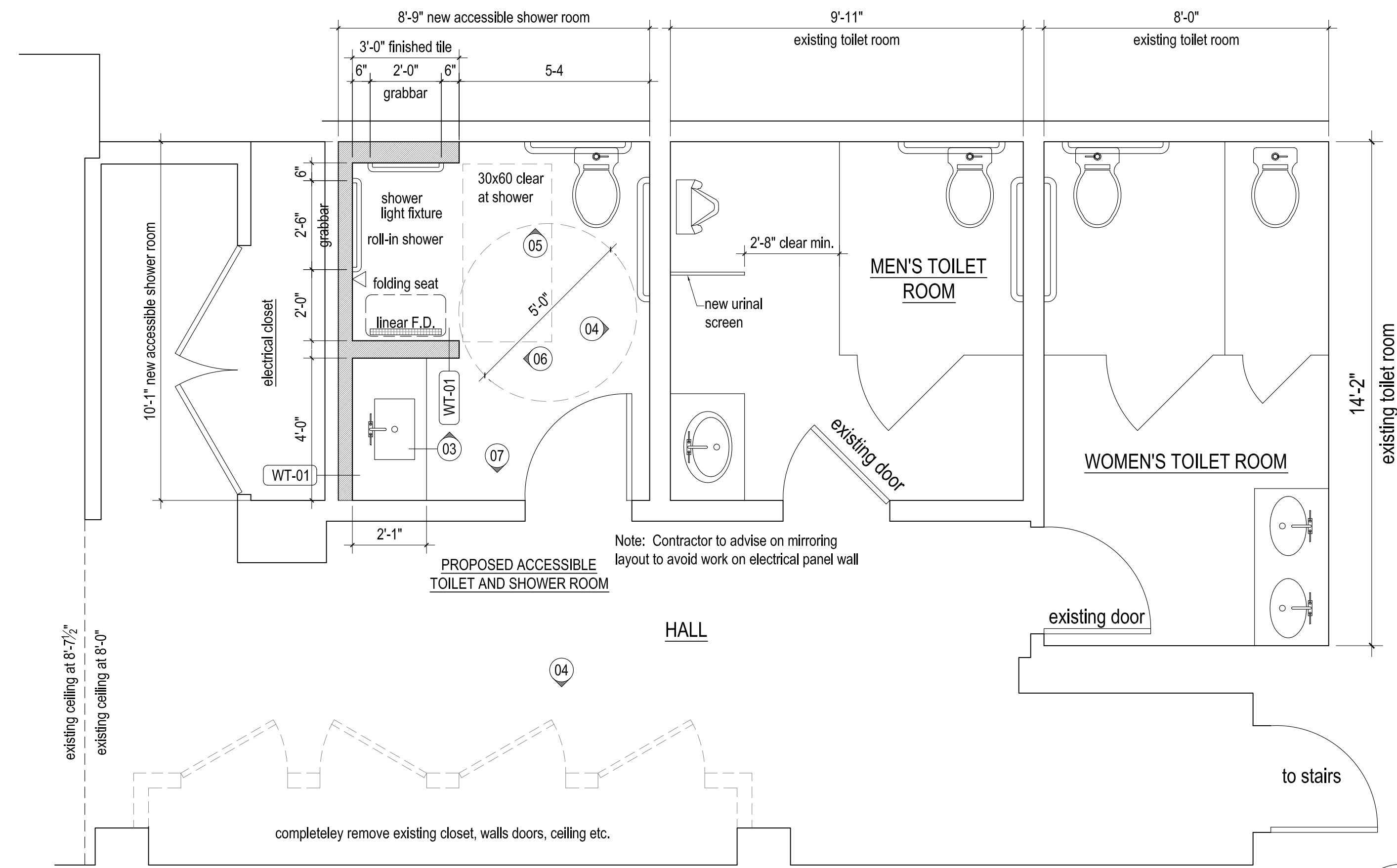
3 knee and toe clearance required
3/8" = 1'-0"



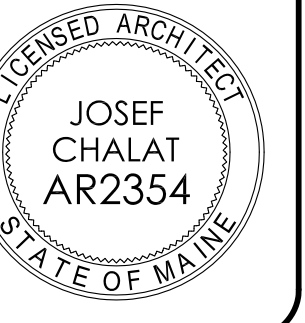
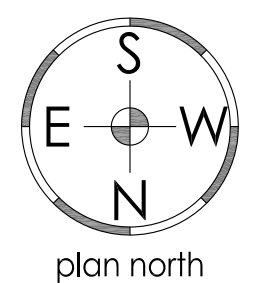
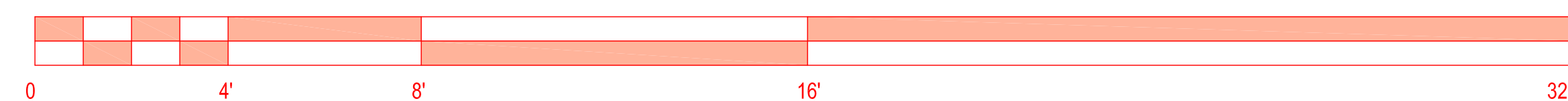
8 Accessible shower room, ceiling plan
3/8" = 1'-0"



2 Showers and changing rooms, ceiling plan
3/8" = 1'-0"



1 Showers and changing rooms, ceiling plan
3/8" = 1'-0"



May 16, 2014 submission for permit

Kepware Technologies
2nd and 4th floor Tentant Improvements
400 Congress Street, Portland, Maine 04101
Contractor/Owner: A&W Partners,
120 Exchange Street Portland ME
CBL: 032 G001001, B3 Zoning District

Accessible Shower Room Enlargement