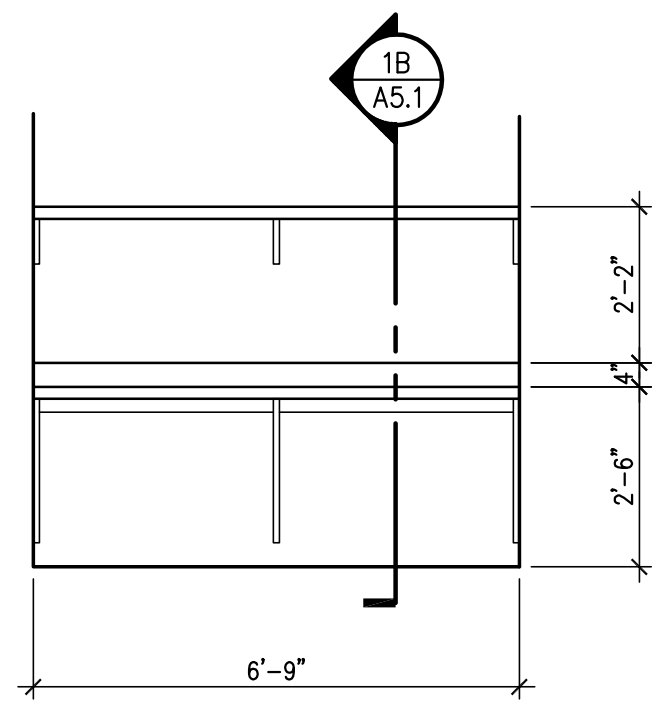
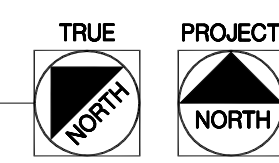
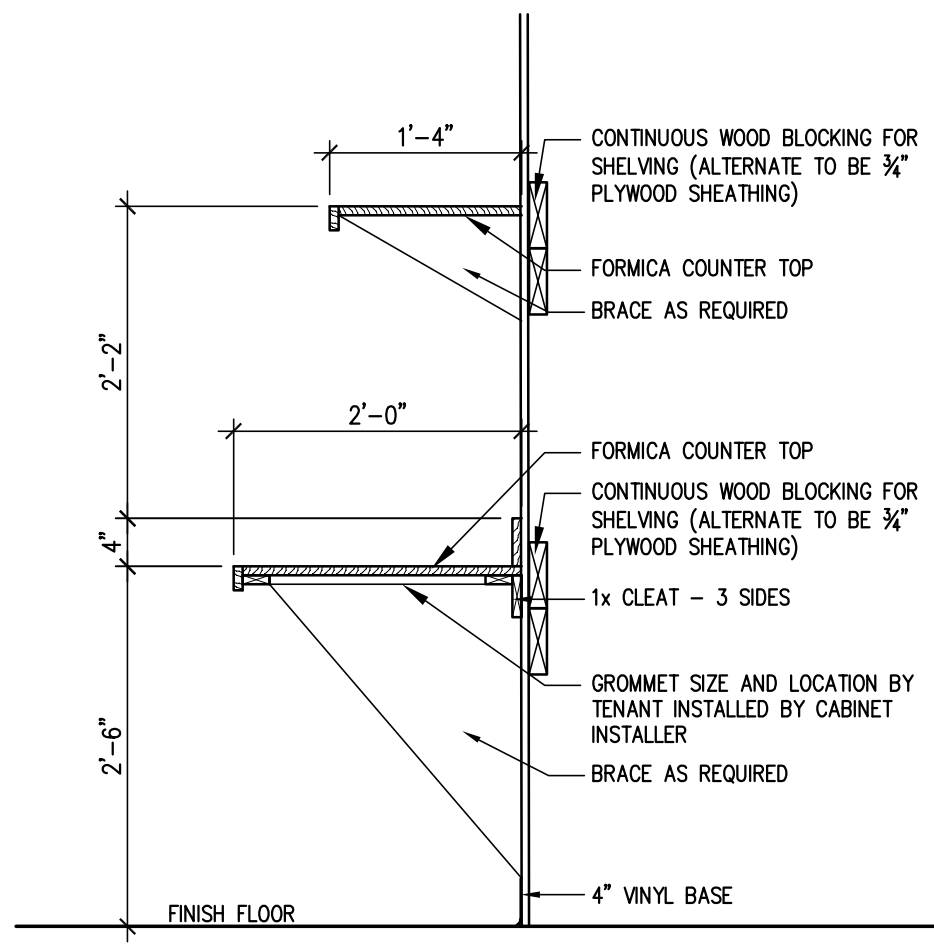


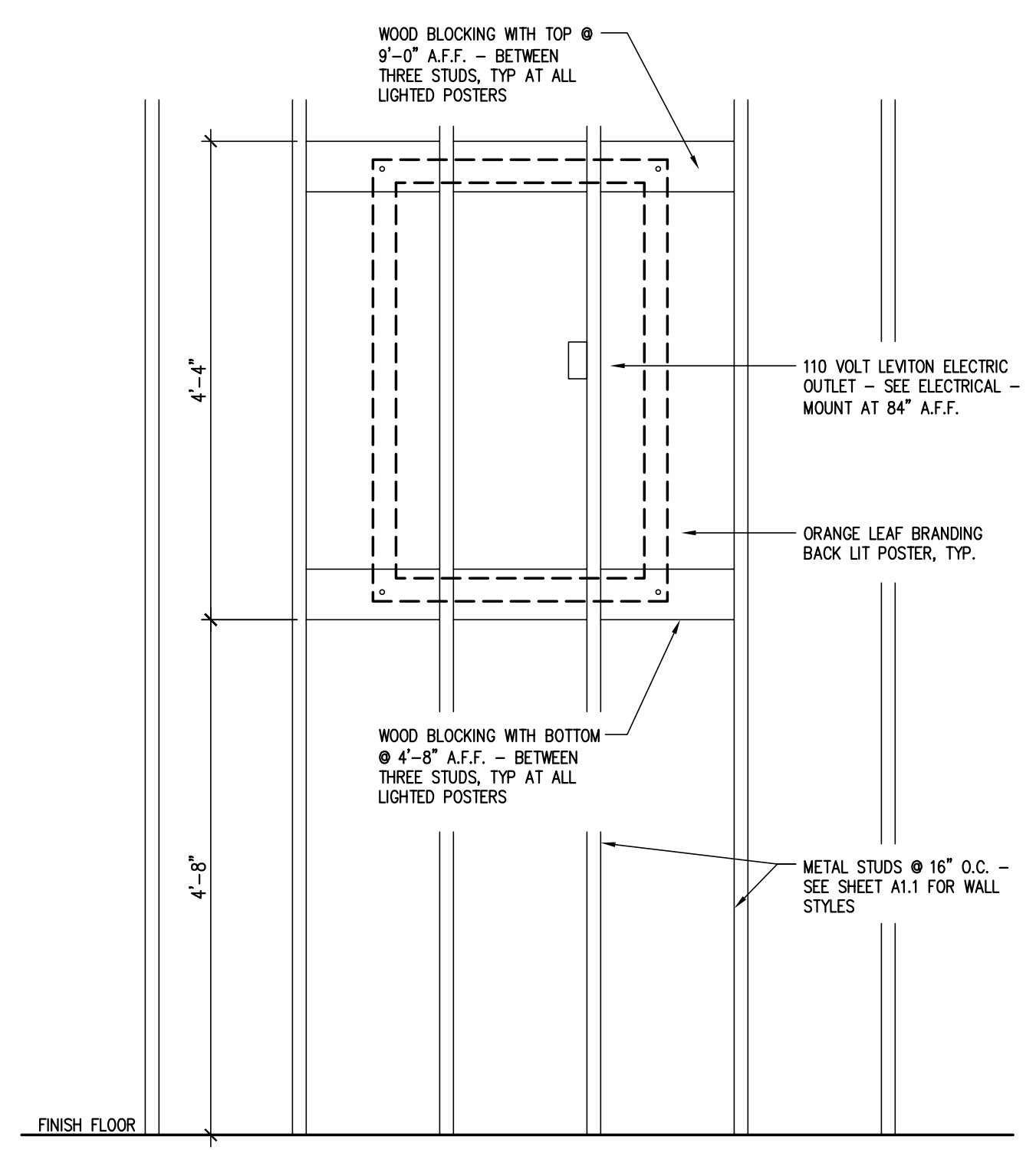
4A ENLARGED OFFICE PLAN
Scale: 3/8" = 1'-0"



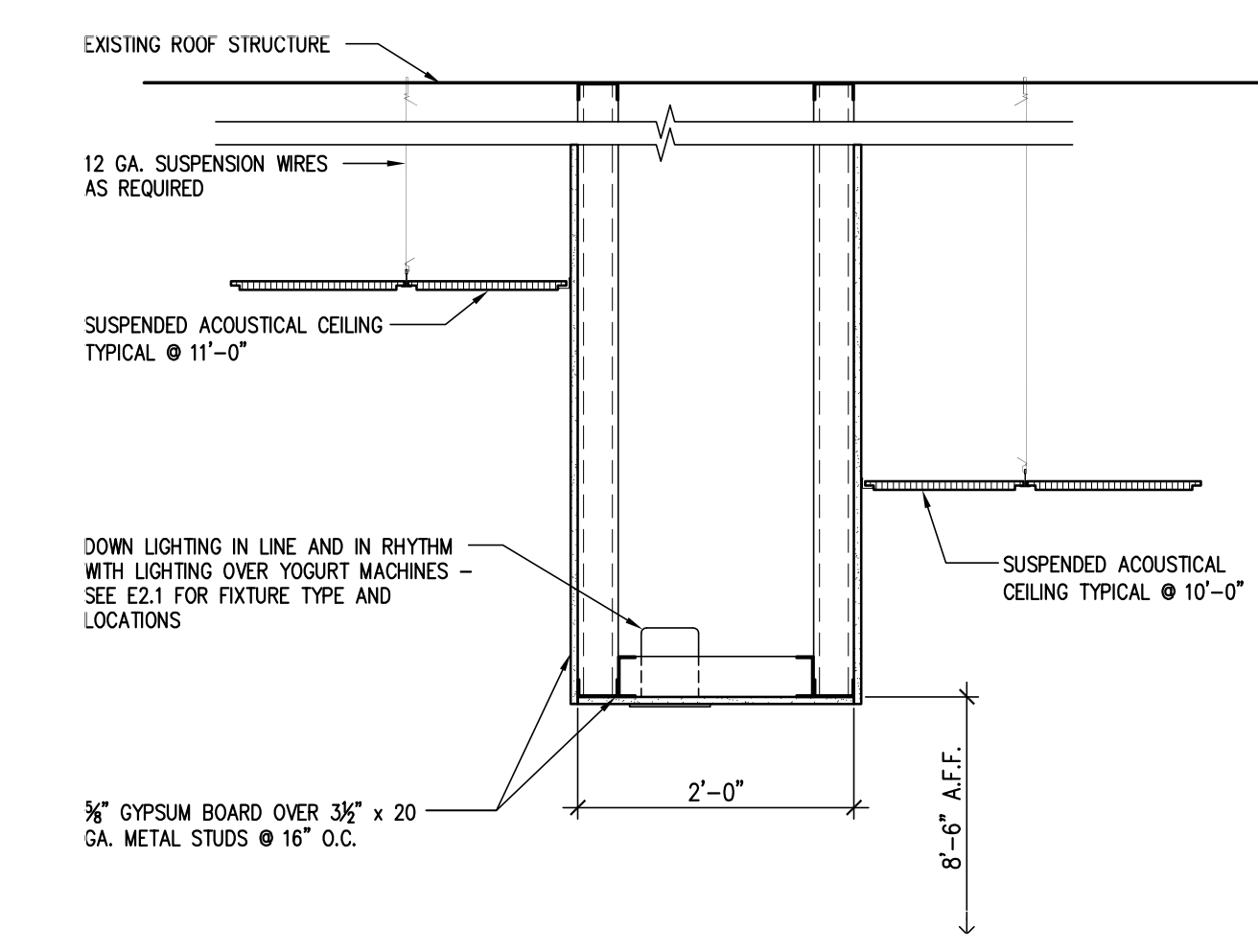
3A OFFICE INTERIOR ELEVATION
Scale: 3/8" = 1'-0"



3B OFFICE COUNTER SECTION
Scale: 3/4" = 1'-0"

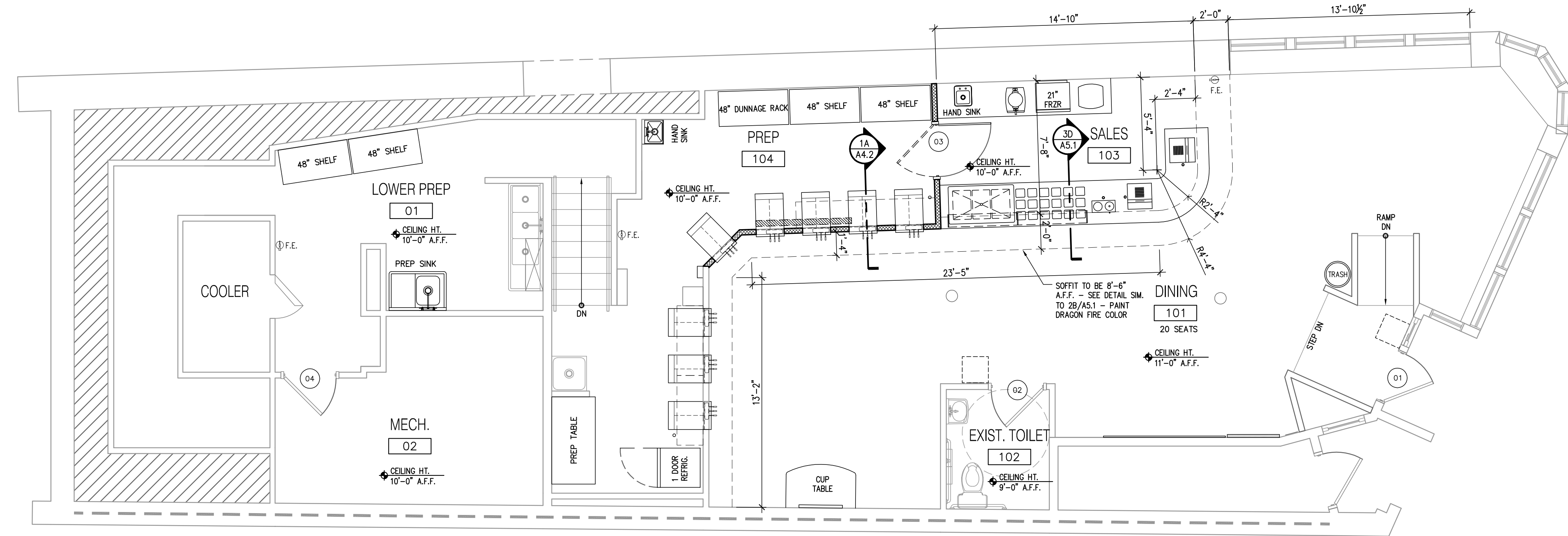


3C DETAIL @ LIGHTED POSTER
Scale: 3/4" = 1'-0"

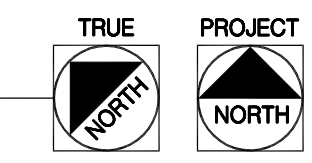


3D SOFFIT DETAIL
Scale: 3/4" = 1'-0"

FIRE EXTINGUISHER NOTE
1. FIRE EXTINGUISHERS WITH MARK F.E., SHALL BE A MINIMUM OF 5 LB. 2A-10 B-C UL APPROVED PORTABLE FIRE EXTINGUISHER W/ STANDARD BRACKETS. INSTALL SO THAT IT'S TOP IS NOT MORE THAN 60" A.F.F.



SOFFIT & CEILING CLOUD PLAN
Scale: 1/4" = 1'-0"



Professional Seal

Professional Seal

Revisions

NO.	DESCRIPTION

SPECIAL NOTICE:
In the event the client consents to, allows, authorizes or approves of changes to any plans, specifications or other construction documents, and these changes are not approved in writing by the design professional, the client recognizes that such changes and the results thereof are not the responsibility of the design professional. Therefore, the client agrees to release the design professional from any liability arising from the construction, use or result of such changes. In addition, the client agrees to the fullest extent permitted by law, to indemnify and hold the design professional harmless from any expense, liability or cost (including reasonable attorney's fees and costs of defense) arising from such changes.

Project Number: 43115
Drawn By: PMM
Reviewed By: JAG
Date: 11.26.13

orange leaf
363 Fore Street
Portland, Maine 04101
**Ceiling Plan,
Section and
Details, Office
Details and Notes**

CONSTRUCTION DOCUMENTS
Sheet Number