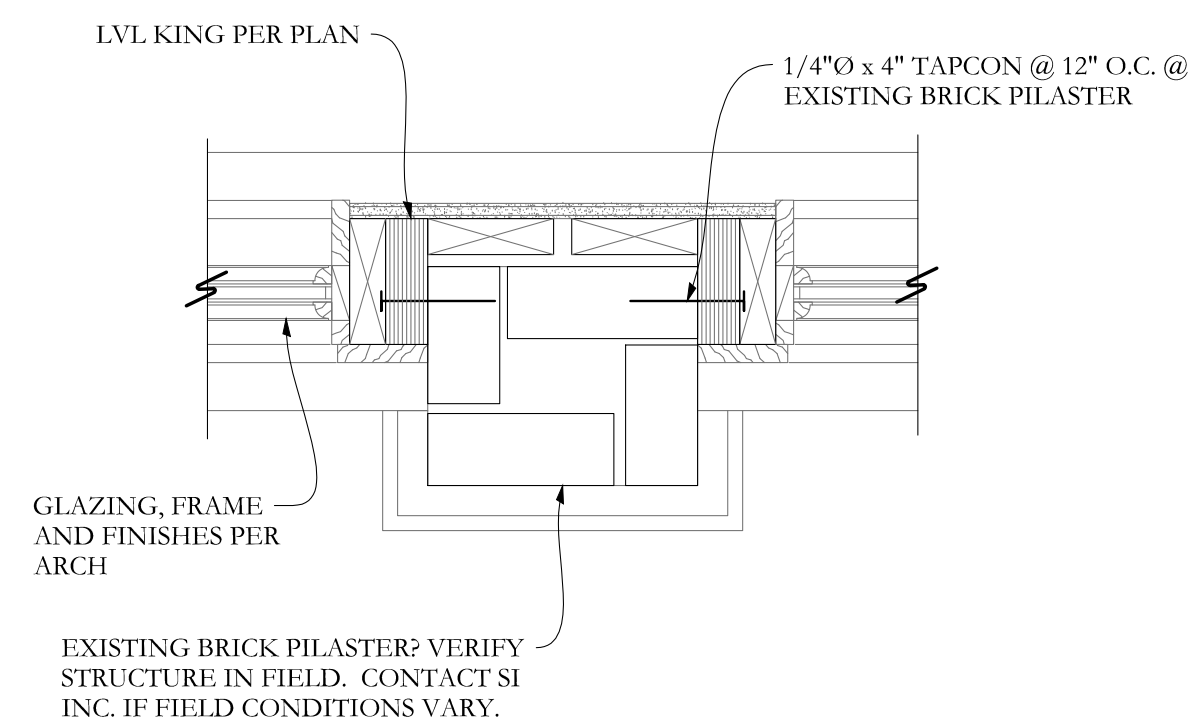


MARK
MUELLER
ARCHITECTS
A.I.A.

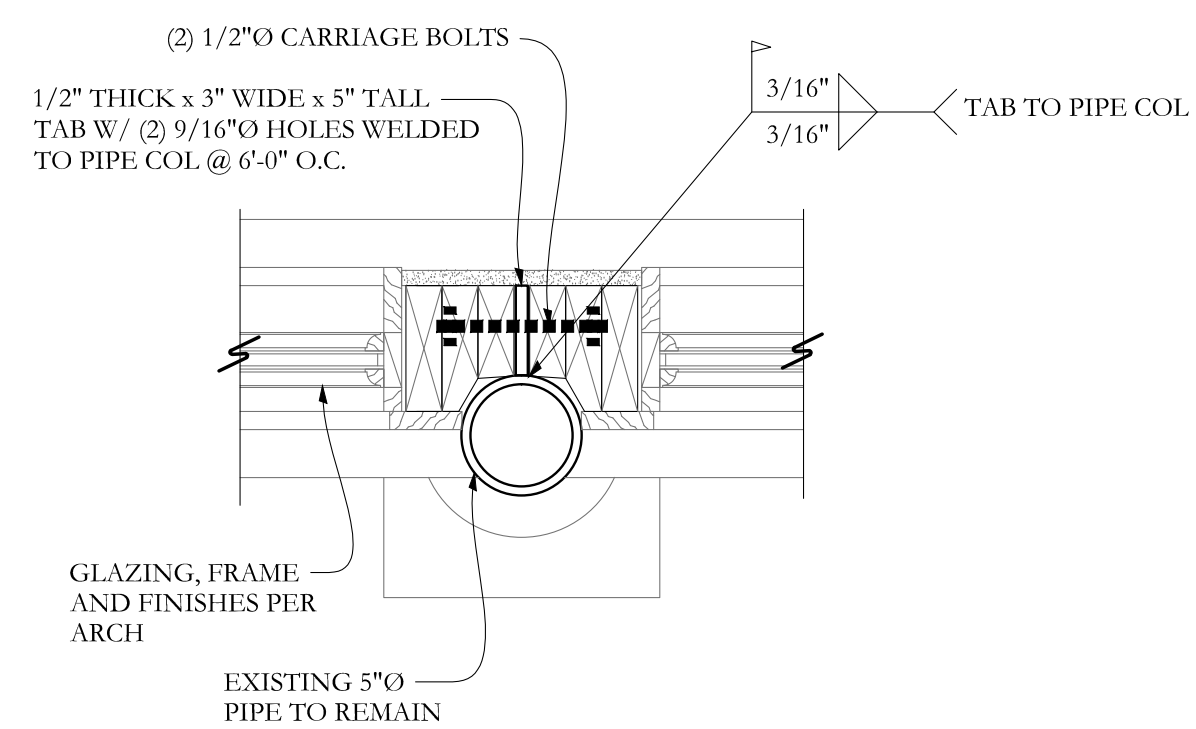
100 Commercial Street
Suite 205
Portland, Maine 04101
Phone: 207.774.9057
Fax: 207.773.3851
Email: mark@muellerarchitects.com

© COPYRIGHT
MUELLER ARCHITECTS, LLC

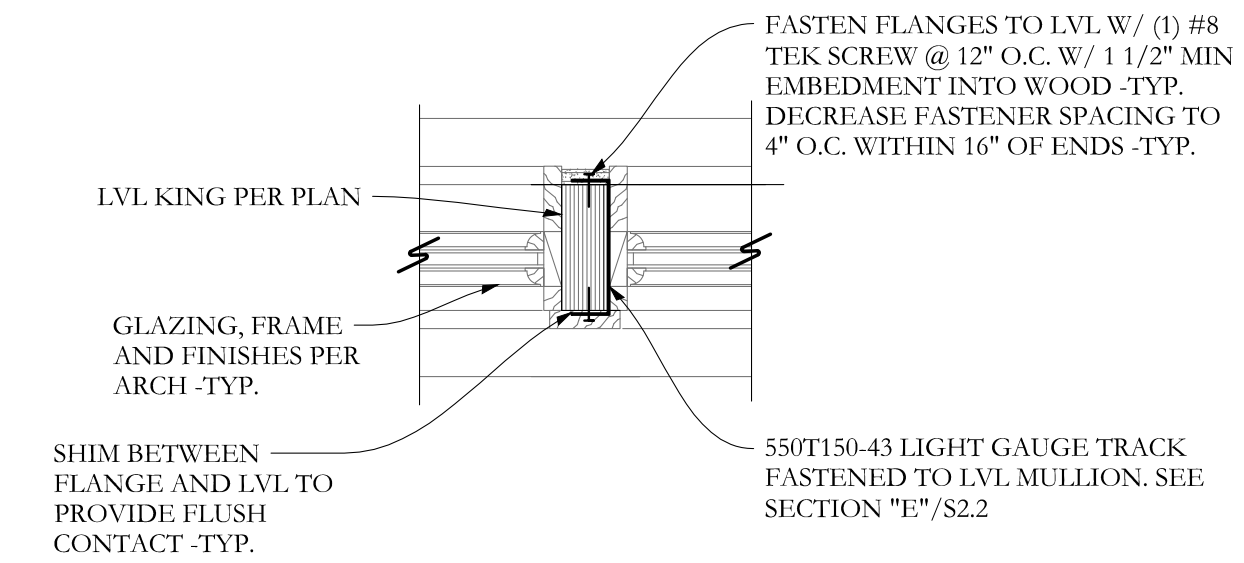
RENOVATIONS TO
46 MARKET ST.
PORTLAND, MAINE



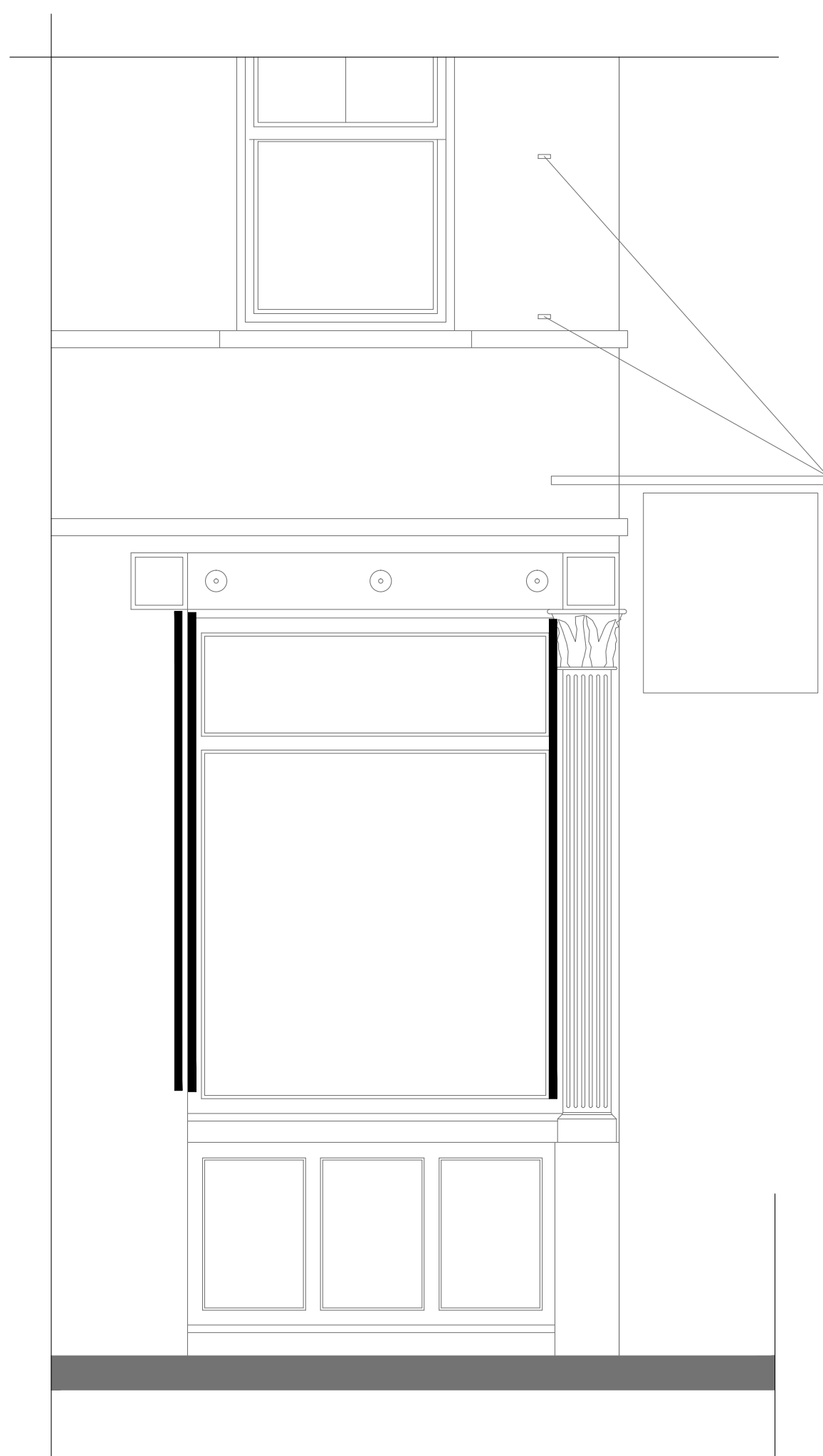
SECTION **F** 1 1/2"=1'-0



SECTION **G** 1 1/2"=1'-0



SECTION **H** 1 1/2"=1'-0



**PRELIMINARY
NOT FOR CONSTRUCTION**

Structural Integrity
Consulting Engineers, Inc.

77 Oak Street
Portland, ME 04101
p. 207-774-4614
f. 866-793-7835
www.structuralintegrity.com

BUILD WITH CONFIDENCE
©2014 Structural Integrity Consulting Engineers, Inc.
SI# 13-0194

SECTIONS 3/4" = 1'-0"

REVISIONS	DATE
	JAN 2nd, 2014
PROJECT	46 MARKET ST. RENOV
DRAWN BY	MKL
CHECK BY	ACJ

S2.2