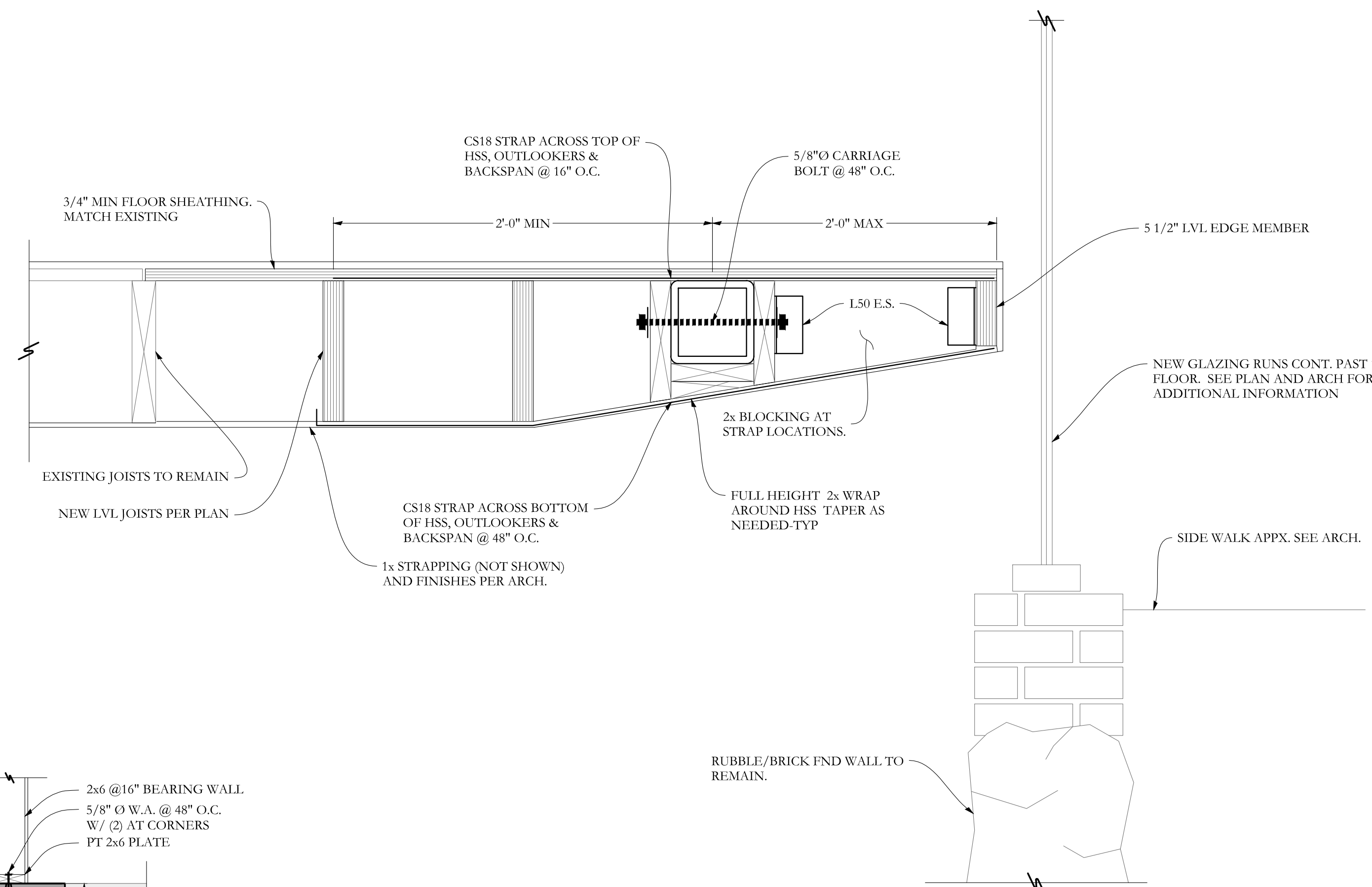


MARK
MUELLER
ARCHITECTS
A.I.A.

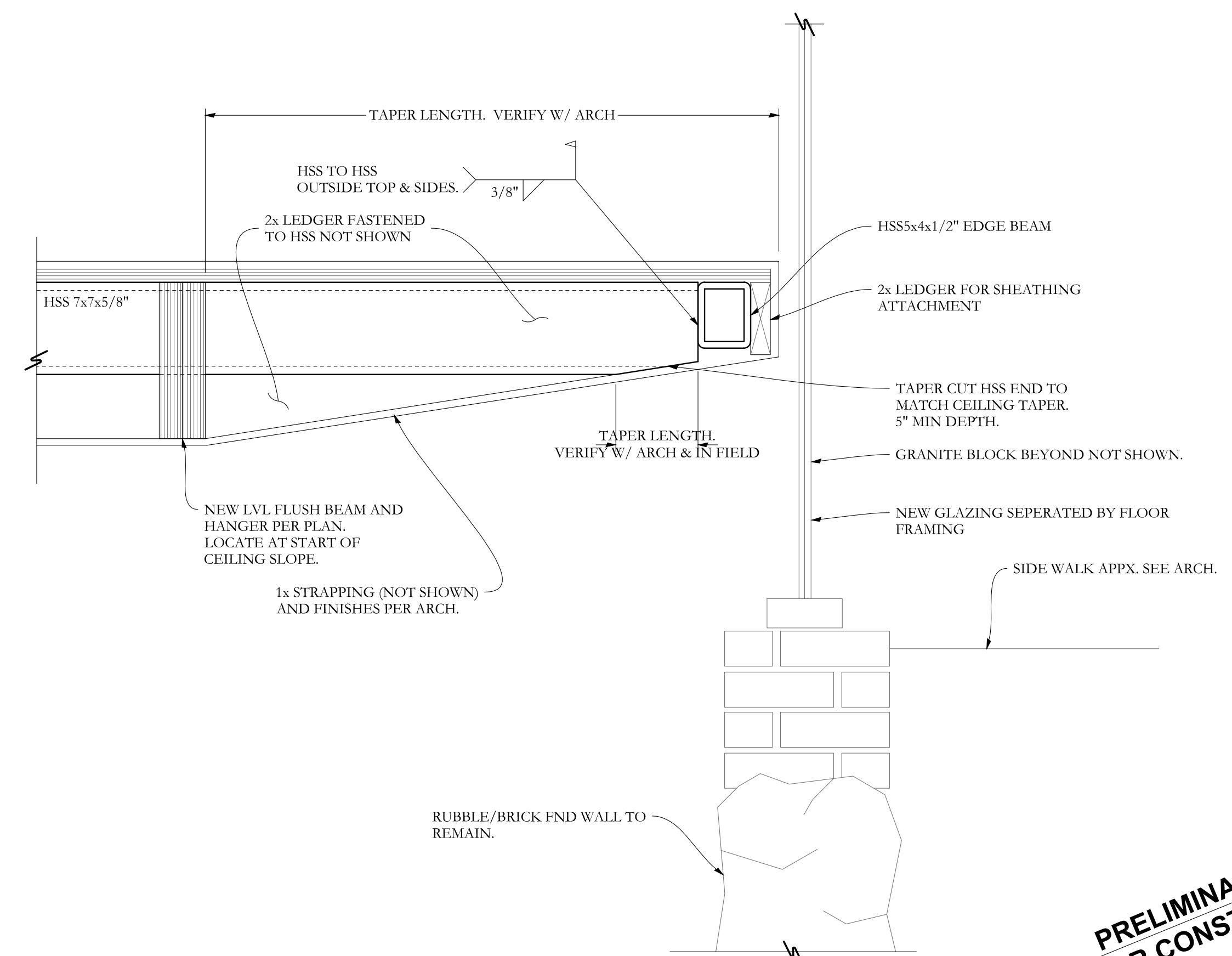
100 Commercial Street
Suite 205
Portland, Maine 04101
Phone: 207.774.9057
Fax: 207.773.3851
Email: mark@muellerarchitects.com

©COPYRIGHT
MUELLER ARCHITECTS, LLC

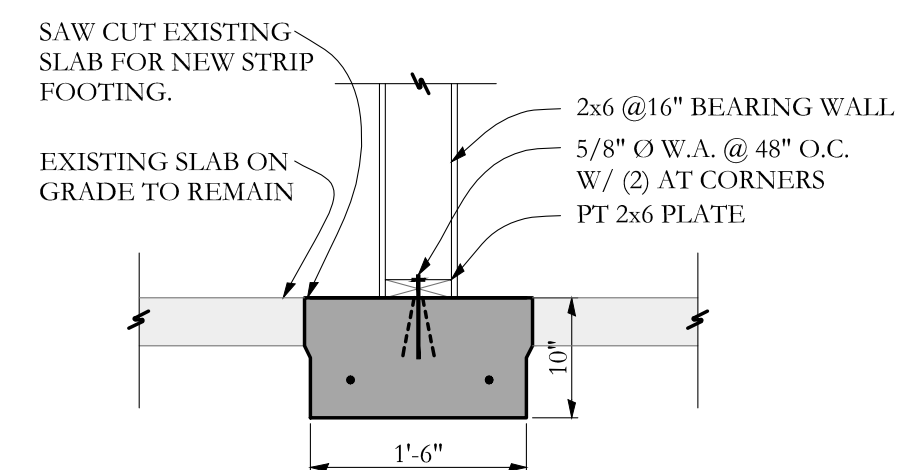
RENOVATIONS TO
46 MARKET ST.
PORTLAND, MAINE



SECTION $\frac{B}{S2.1}$ 1 1/2"=1'-0"



SECTION $\frac{C}{S2.1}$ 1 1/2"=1'-0"



SECTION $\frac{A}{S2.1}$ 3/4"=1'-0"

**PRELIMINARY
NOT FOR CONSTRUCTION**

Structural Integrity
Consulting Engineers, Inc.

77 Oak Street
Portland, ME 04101
p. 207-774-4614
f. 866-793-7835
www.structuralintegrity.com

BUILD WITH CONFIDENCE
©2014 Structural Integrity Consulting Engineers, Inc.
SI# 13-0194

REVISIONS	DATE
	JAN 2nd, 2014
PROJECT	46 MARKET ST. RENOV
DRAWN BY	MKL
CHECK BY	ACJ

SECTIONS
3/4" = 1'-0"

S2.1