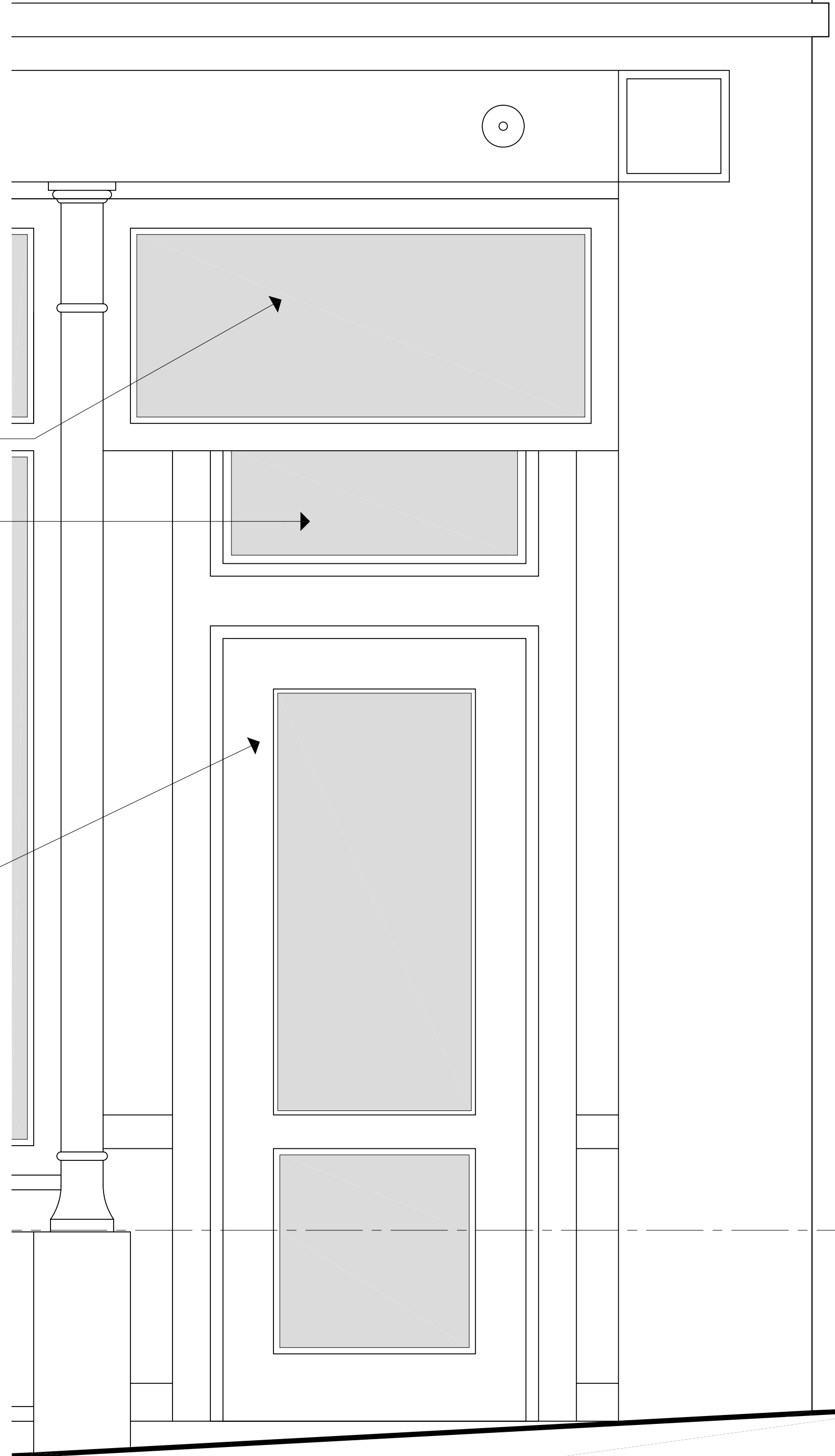
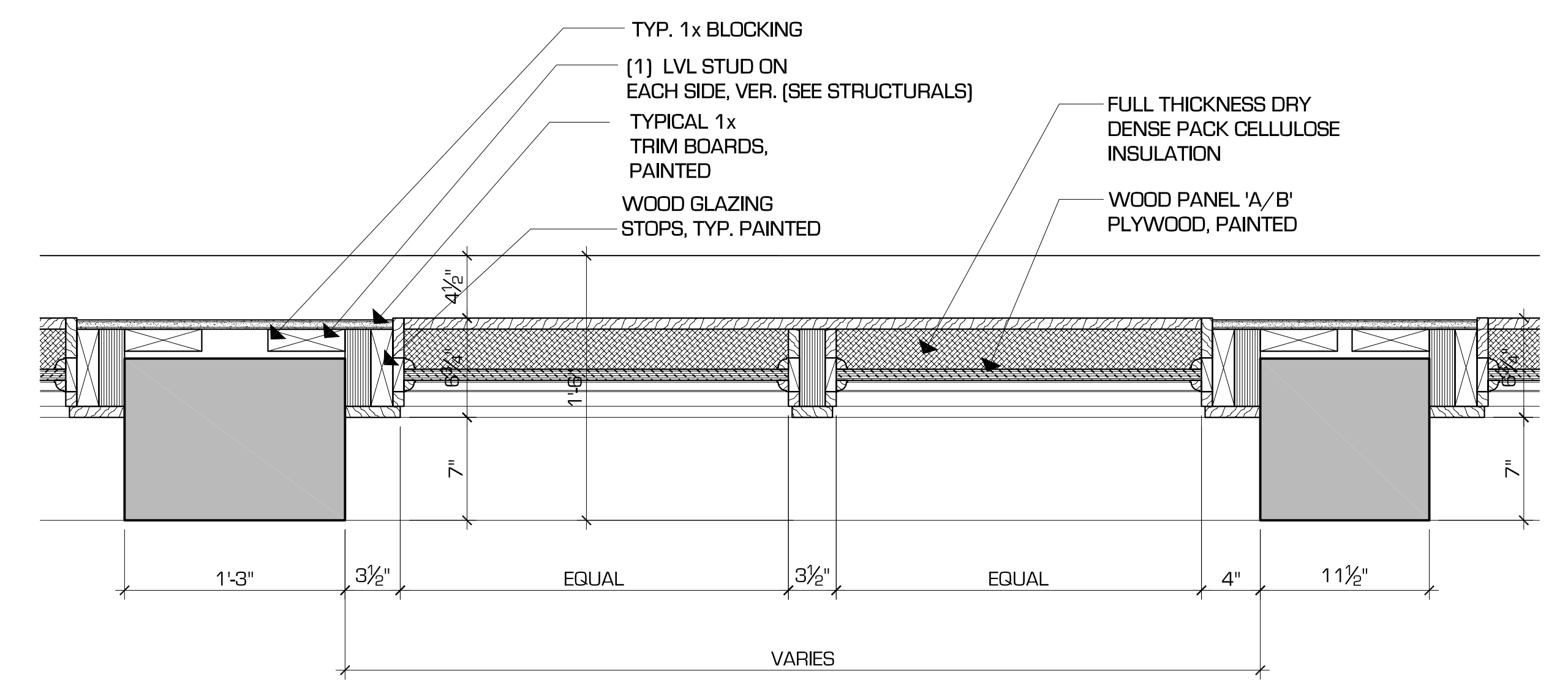


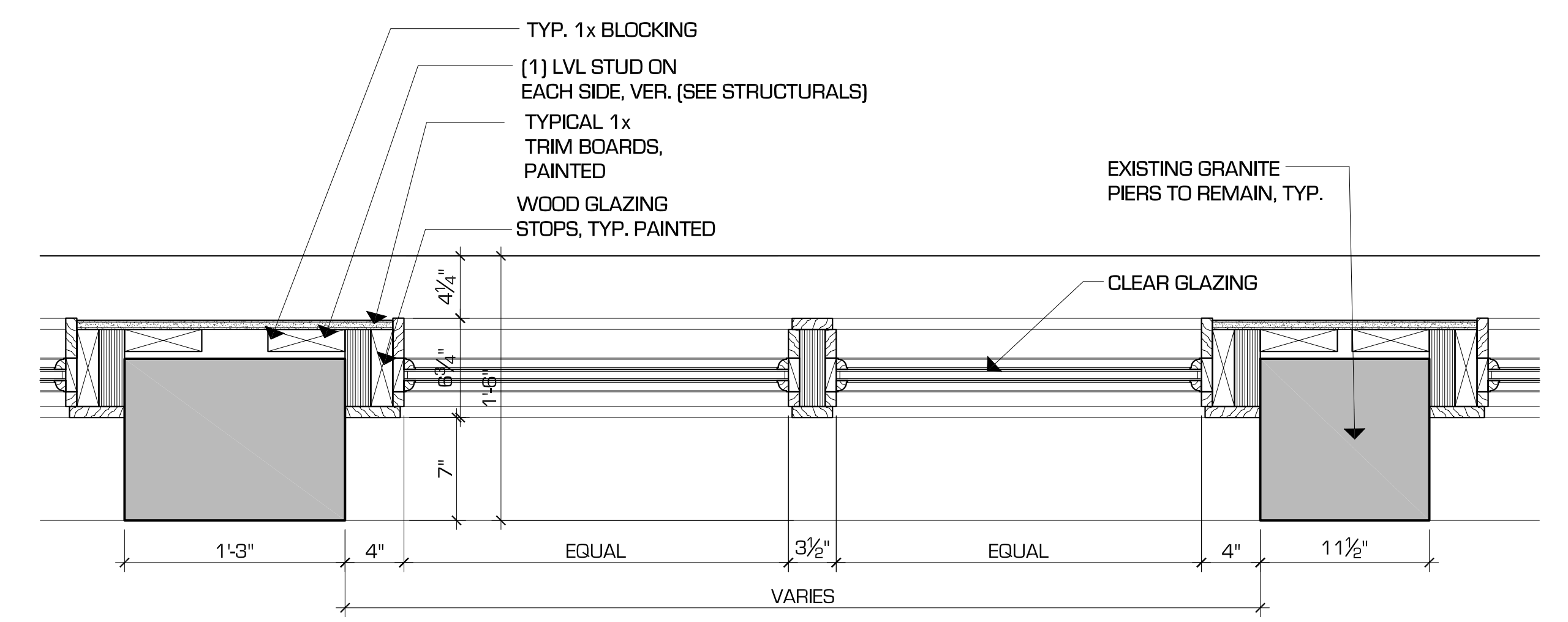
WS3 PROPOSED WALL SECTION
HP-2.3 1"=1'-0"



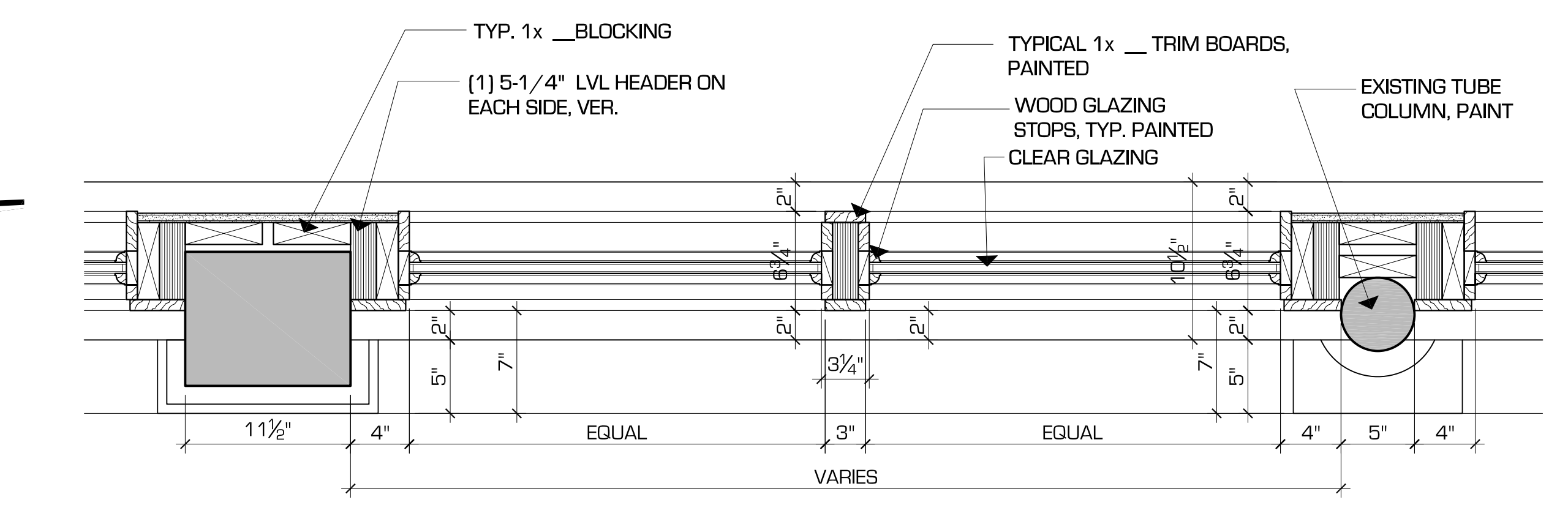
MARKET STREET ENTRY
1"=1'-0"



PD3 PLAN DETAIL
HP-2.3 1-1/2" = 1'-0"



PD2 PLAN DETAIL
HP-2.3 1-1/2" = 1'-0"



PD1 PLAN DETAIL
HP-2.3 1-1/2" = 1'-0"

