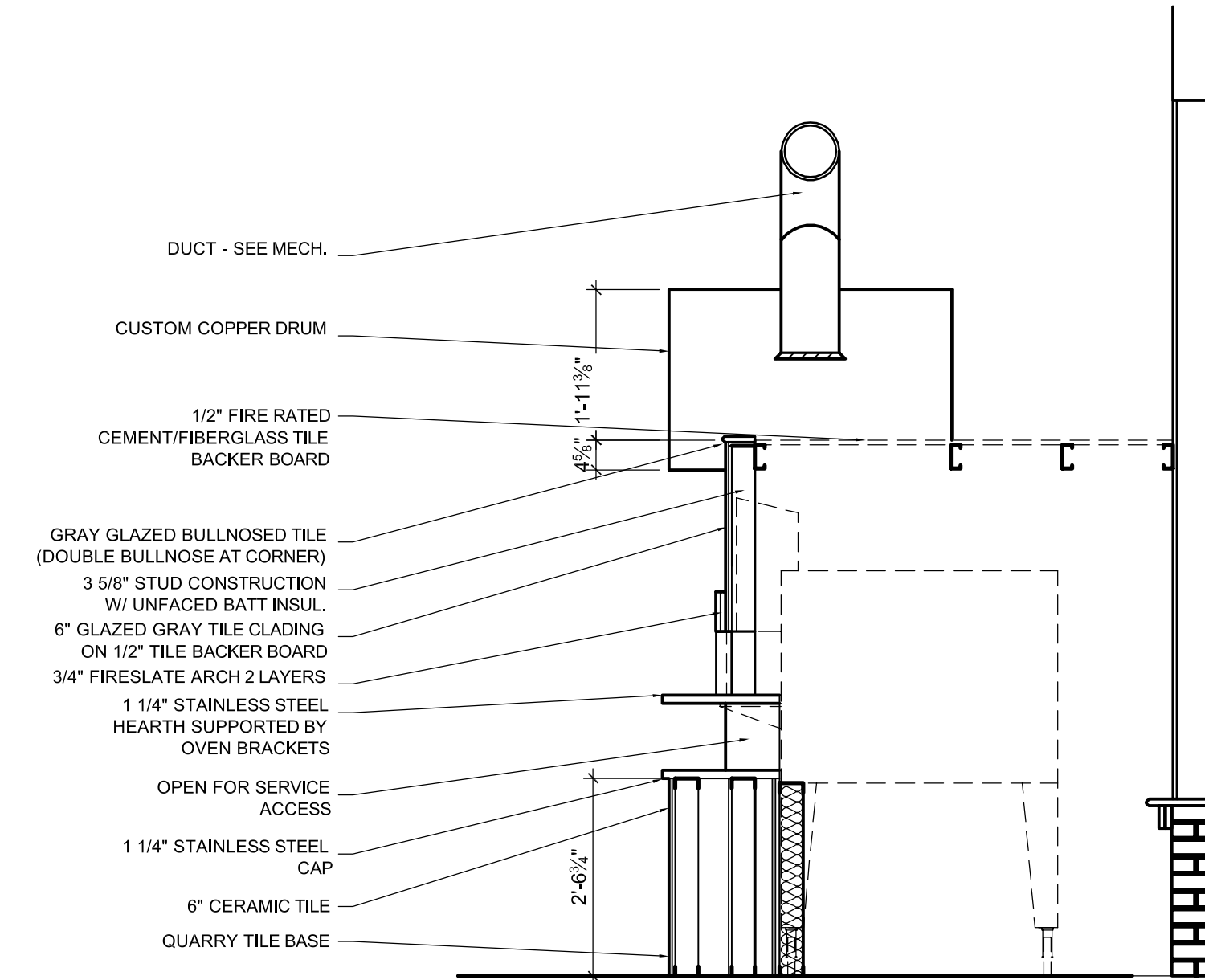
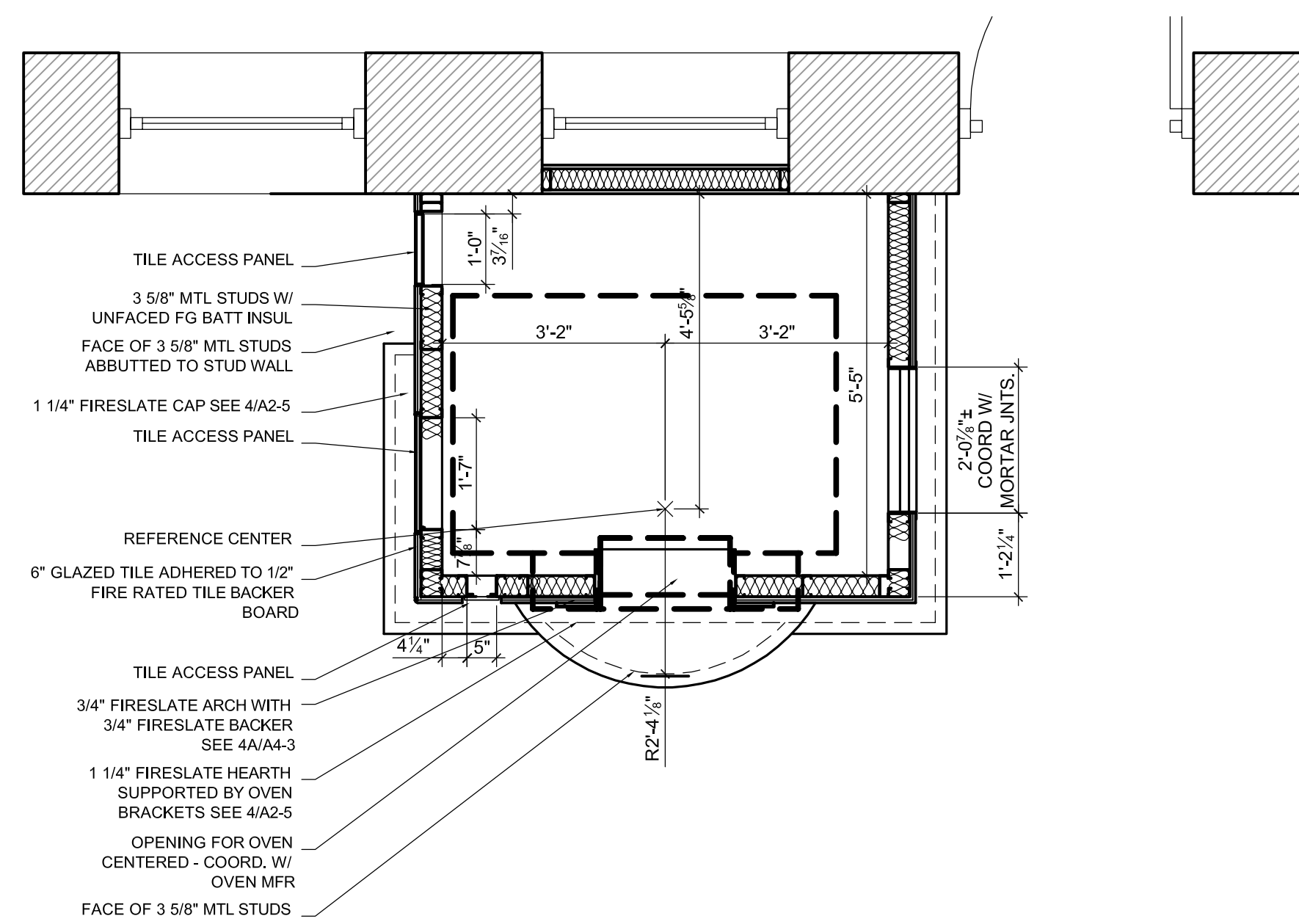


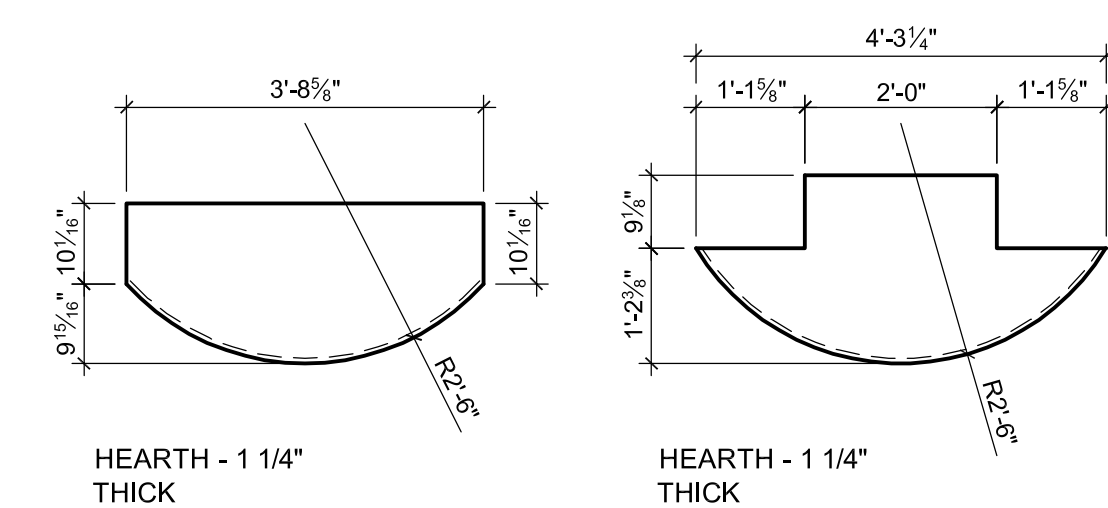
1 OVEN ENCLOSURE ELEVATIONS  
A4-3 1/2" = 1'-0"



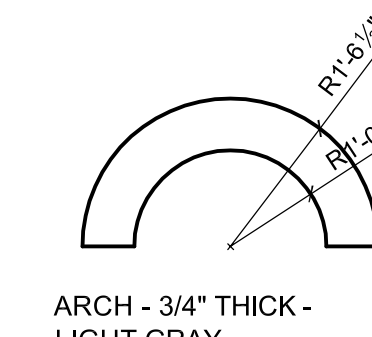
2 OVEN ENCLOSURE SECTION  
A4-3 1/2" = 1'-0"



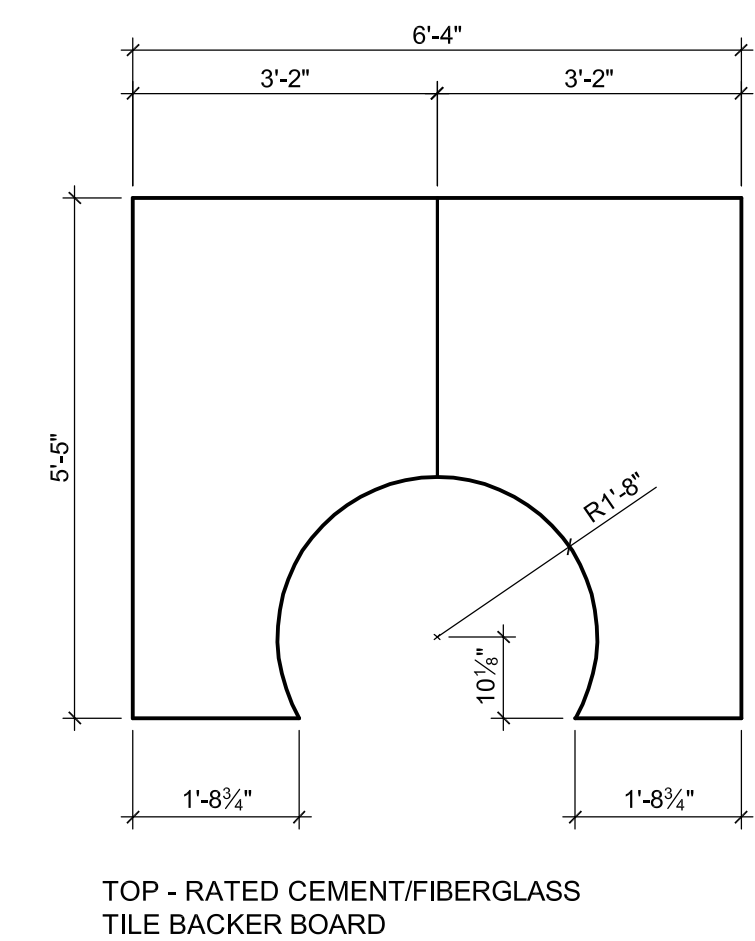
3 OVEN ENCLOSURE - PLAN  
A4-3 1/2" = 1'-0"



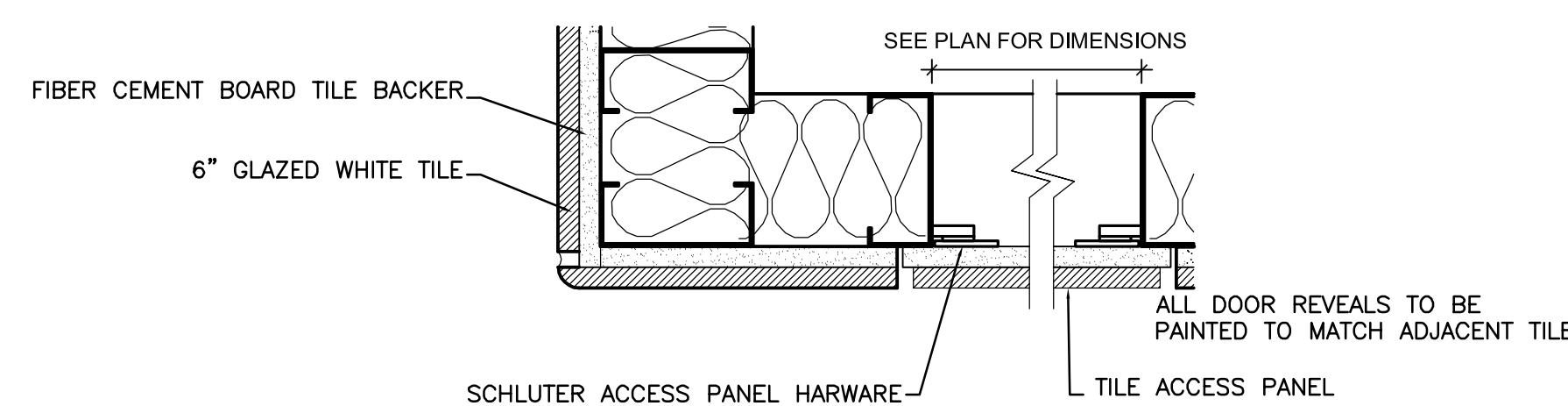
4 HORIZONTAL STAINLESS STEEL PIECES  
A4-3 1/2" = 1'-0"



4A VERTICAL FIRESLATE PIECES  
A4-3 1/2" = 1'-0"



4B SLOPED RATED GALVANIZED STEEL TOP  
A4-3 1/2" = 1'-0"



3A ACCESS PANEL PLAN DETAIL TYP.  
A4-3 1/2" = 1'-0"