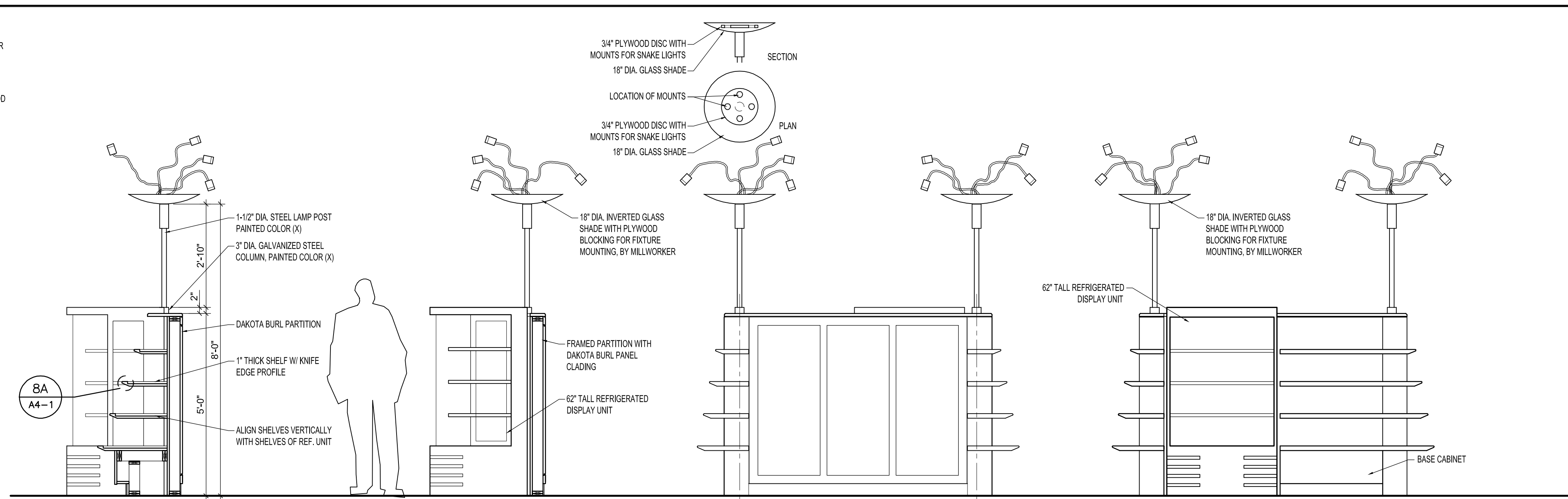


1B PAD DETAIL
A4-1 3\"/>

1A FUNCTION ROOM BENCH
A4-1 1-1/2\"/>

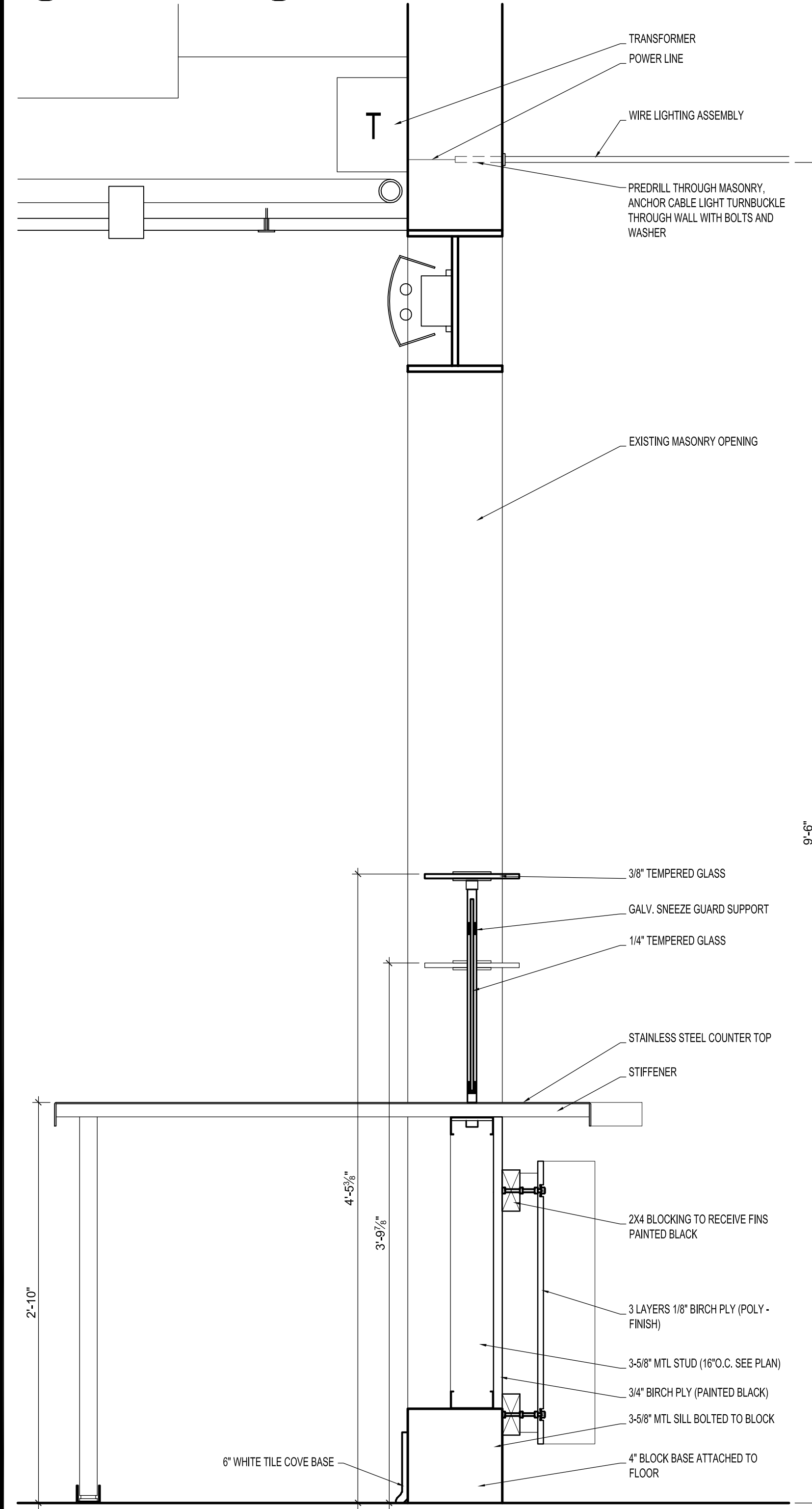


4 SNACK ISLAND SECTION
A4-1 1/2\"/>

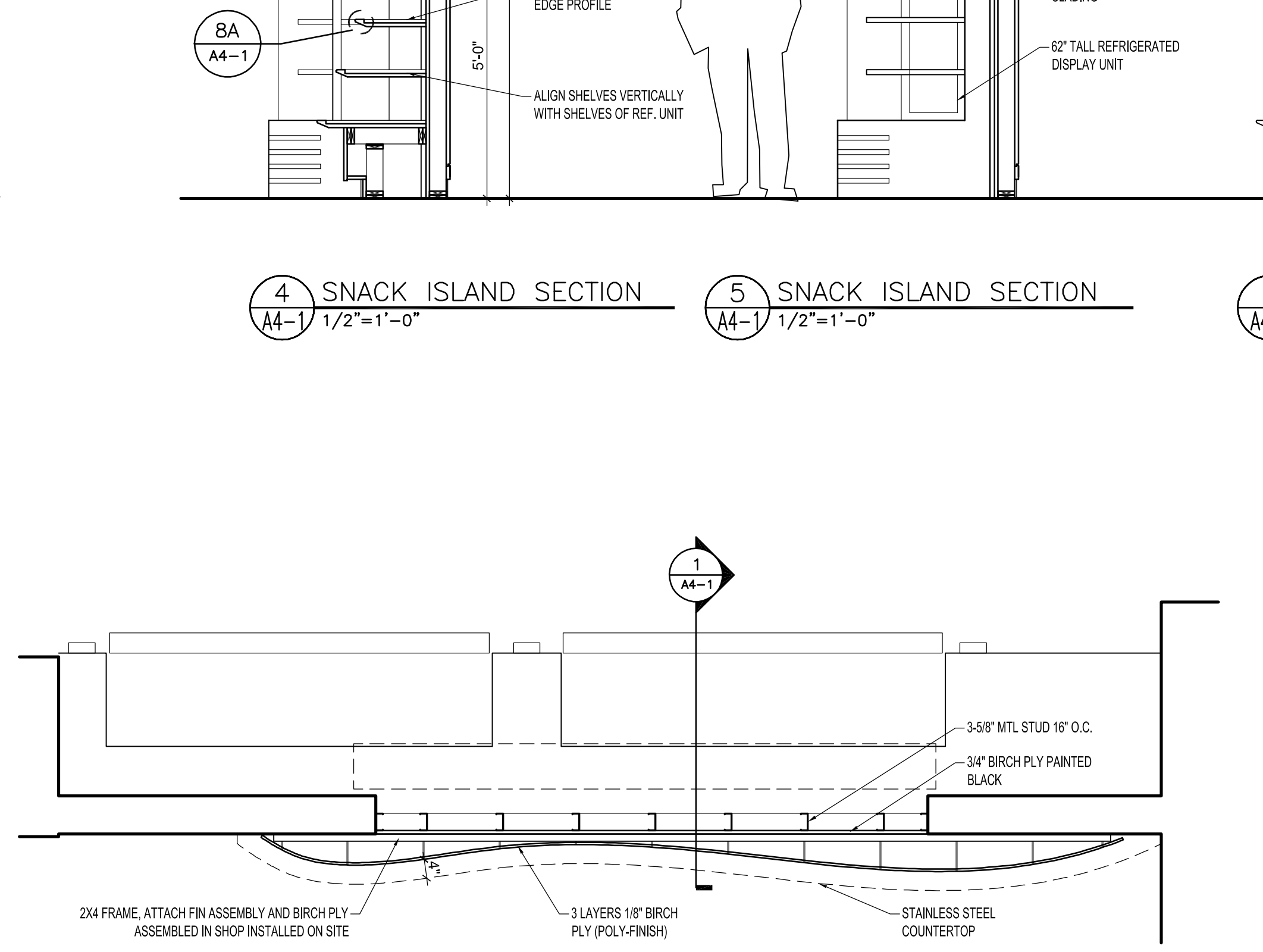
5 SNACK ISLAND SECTION
A4-1 1/2\"/>

6 SNACK ISLAND ELEV
A4-1 1/2\"/>

11 SNACK ISLAND ELEV
A4-1 1/2\"/>

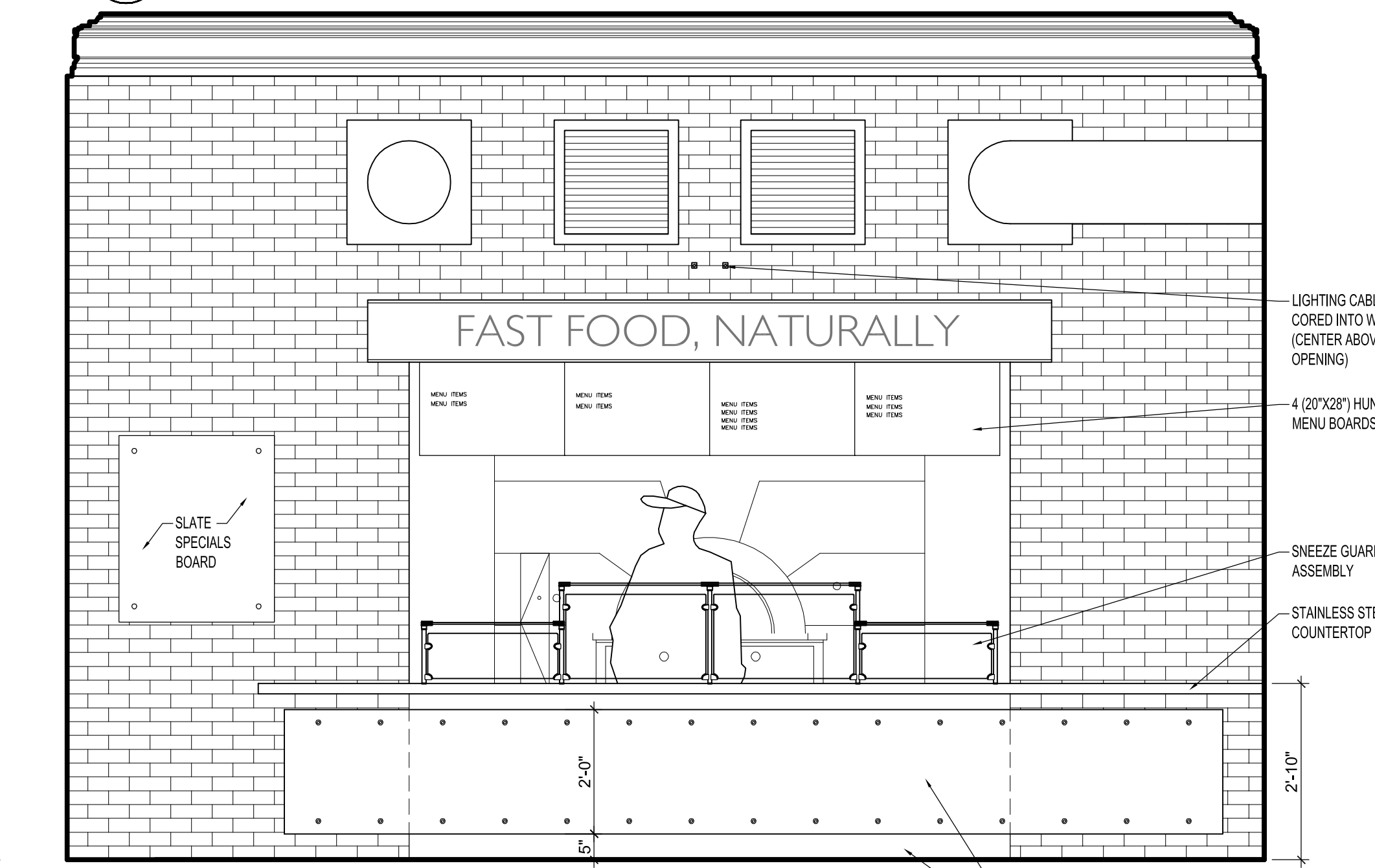


1 SERVICE COUNTER SECTION
A4-1 1-1/2\"/>



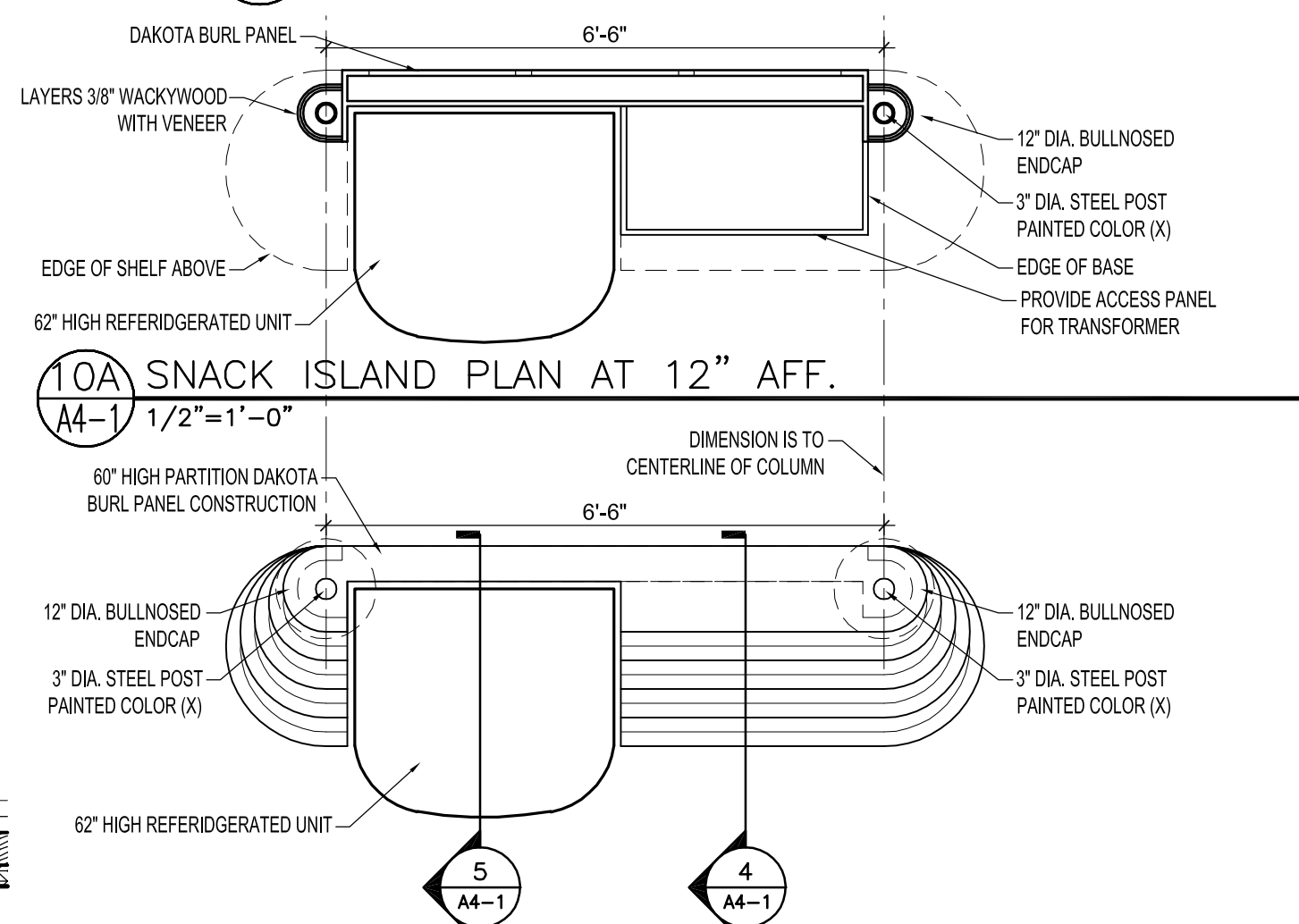
3 SERVICE COUNTER PLAN
A4-1 1/2\"/>

8A SHELF EDGE DETAIL
A4-1 6\"/>



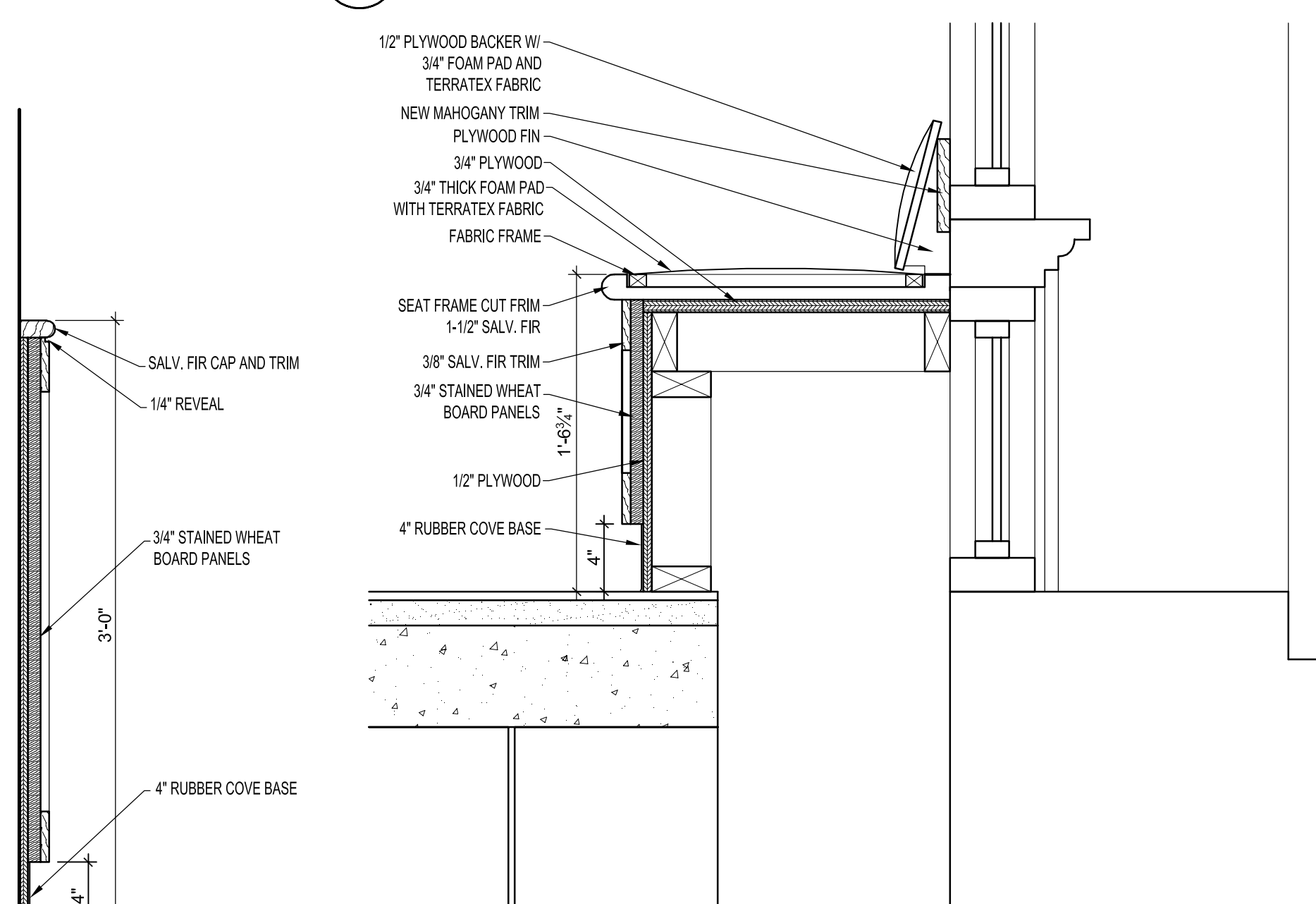
2 SERVICE COUNTER ELEVATION
A4-1 1/2\"/>

8 WAINSCOTING DETAIL
A4-1 3\"/>



10A SNACK ISLAND PLAN AT 12\"/>

10 SNACK ISLAND PLAN
A4-1 1/2\"/>



7 WAINSCOTING DETAIL
A4-1 1-1/2\"/>

9 BENCH SECTION
A4-1 1-1/2\"/>