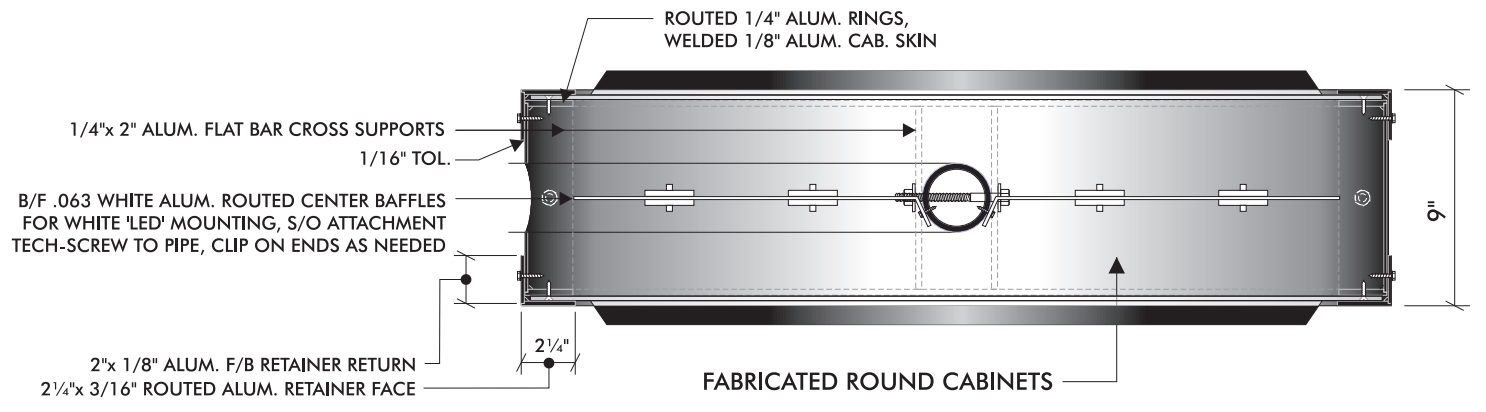


CABINETS/CHANNEL/MOUNTING SUPPORTS - DETAILS
SCALE: 1 1/2" = 1'-0"



CIRCULAR ALUMINUM CABINETS, PAINTED BLACK (DARK SILVER RETAINER FACE _____), FORMED ACRYLIC PAN FACES, PAINTED BLACK VINYL WITH KNOCK-OUT WHITE LETTERS, FLANGE TO HAVE SILVER MET. TRANSL. VINYL RING,

'HOTEL' - CABINET PAINTED BLACK, PUSH-THRU WHITE ACRYLIC TEXT,

WHITE 'LED' ILLUMINATION INSIDE CABINETS, POWER SUPPLIES IN HOTEL CABINET, SEE LIGHTING DIAGRAM IN WO

MOUNTED TO WALL - 2 1/2" x 9" STEEL CHANNEL WITH WELDED CROSS BRACES, 2 1/2" SCHD. 40 PIPE" PROJECTING ARM SUPPORTS/VERTICAL SUPPORT LET THRU AND WELDED TO CHANNEL/BRACES, THRU BOLTED WITH 1/2" SS THREADED ROD/NUTS/WASHERS THRU WALL AND _____ x _____ x 3/8" THICK STEEL PLATES ON INSIDE OF WALL (TO SPAN 3 STUDS), FABRICATED REMOVABLE ALUMINUM CHANNEL COVER, SEE DETAIL, ELECTRICAL FEED IN CONDUIT THRU WALL, ALL WALL PENETRATIONS TO BE SEALED WITH SILICONE SEALANT

SIGN NO. 1—FABRICATION
SCALE: 3/8" = 1'-0"

**Press Hotel
18472**

Location:	119 Exchange Street Portland, Maine
Drawing No.:	1 of 1
Drawn by:	BK Rep.: RM
Date:	12.19.2014
Revised:	12.19.2014
Lead No.:	ML020857
Gen Ref.:	