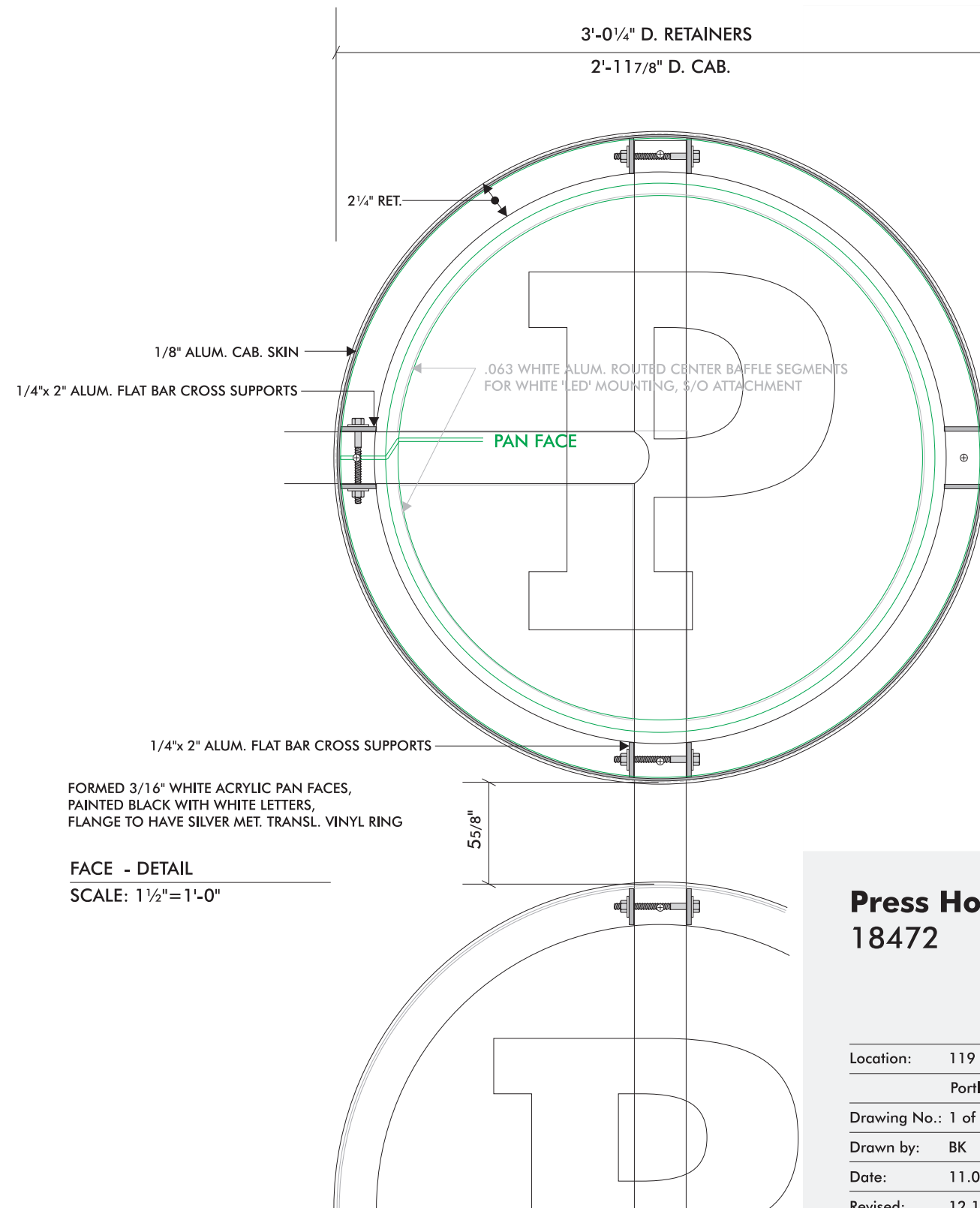


ALSO SEE DETAIL PAGE 2

**SIGN NO. 1—DOUBLE FACE INT. ILLUM. PROJECTING WALL ID**  
 SCALE: 3/8"=1'-0"



**Press Hotel  
18472**

Location: 119 Exchange Street

Portland, Maine

Drawing No.: 1 of 8

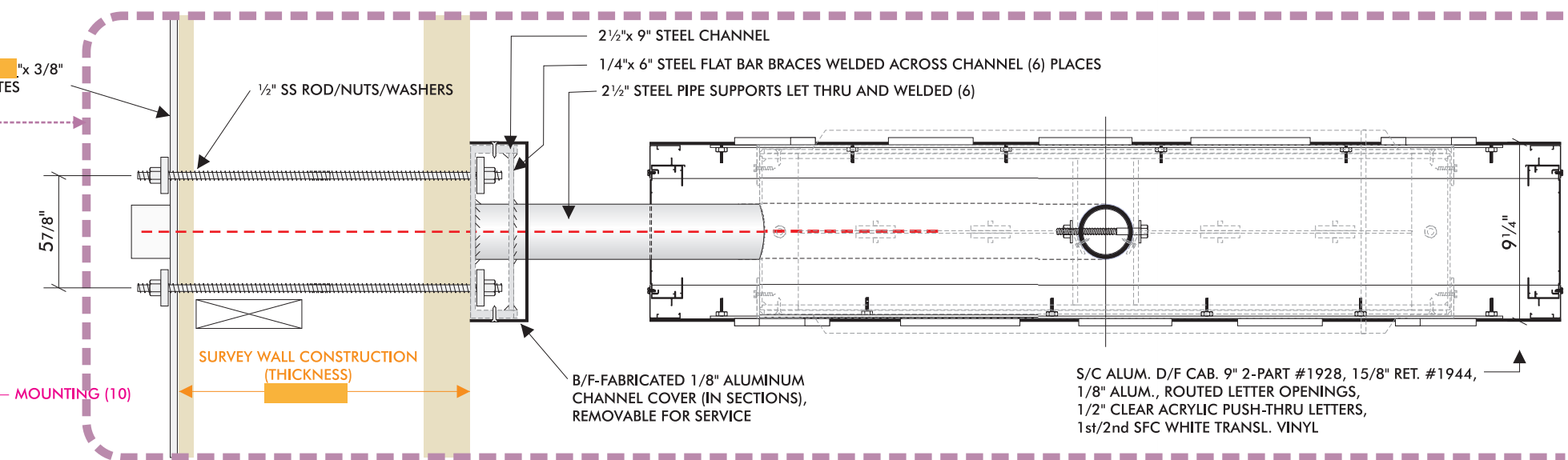
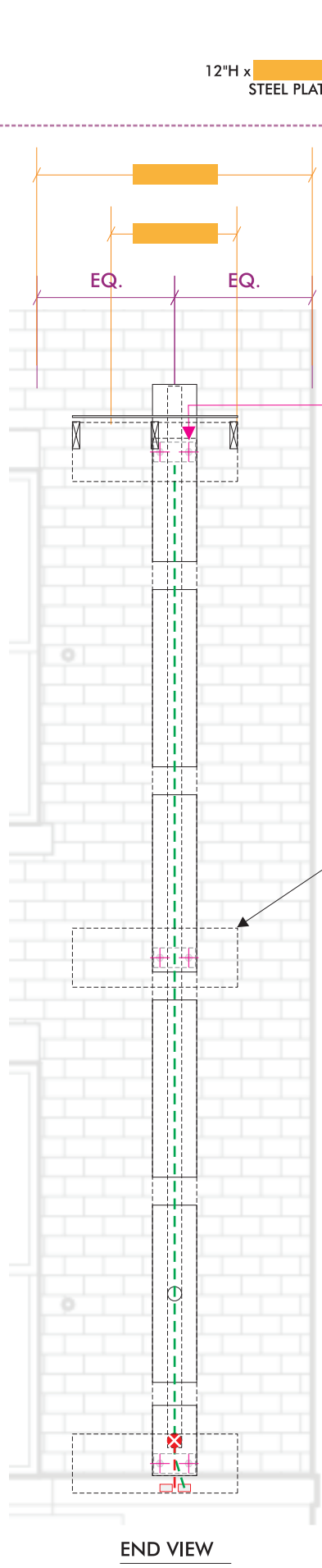
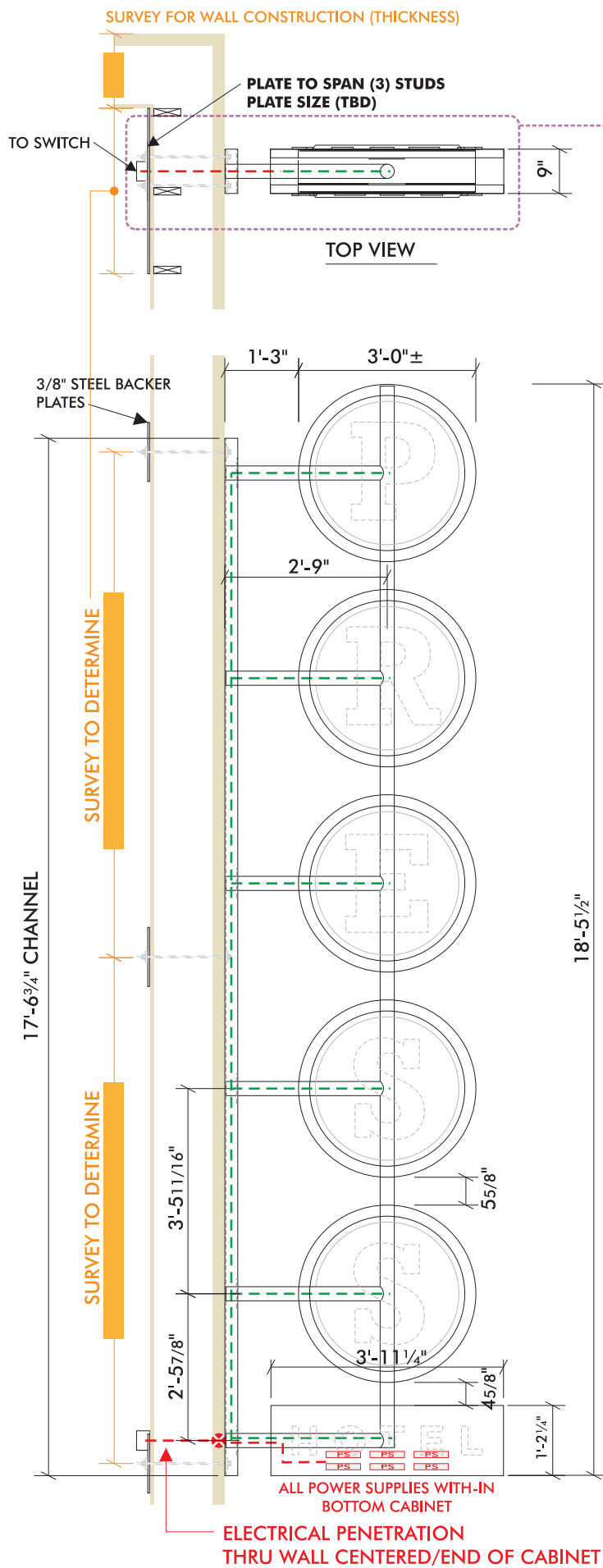
Drawn by: BK Rep.: RM

Date: 11.03.2014

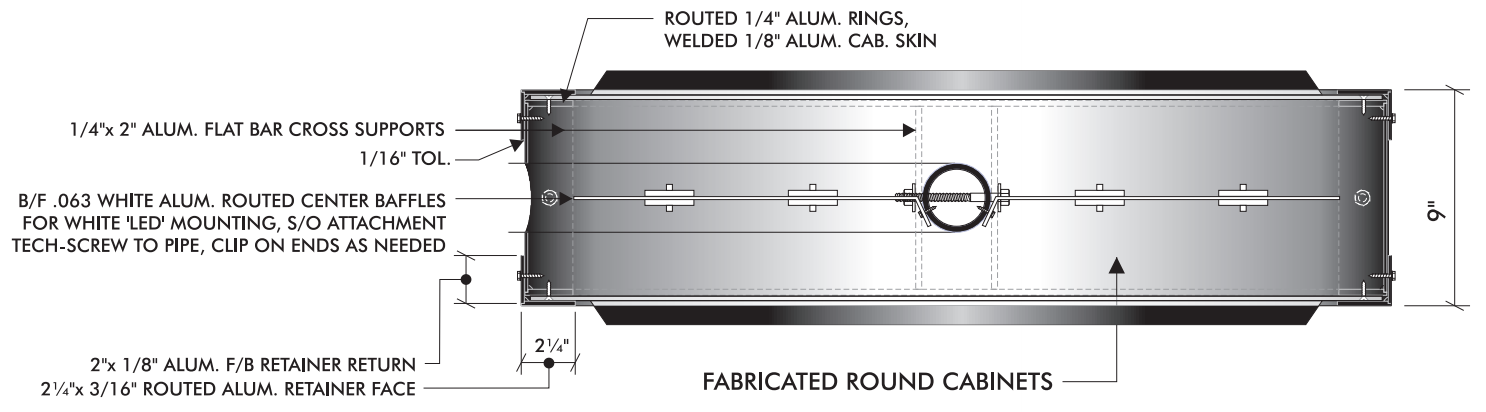
Revised: 12.19.2014

Lead No.: ML020857

Gen Ref.:



**CABINETS/CHANNEL/MOUNTING SUPPORTS - DETAILS**  
SCALE: 1 1/2" = 1'-0"



CIRCULAR ALUMINUM CABINETS, PAINTED BLACK (DARK SILVER RETAINER FACE \_\_\_\_\_), FORMED ACRYLIC PAN FACES, PAINTED BLACK VINYL WITH KNOCK-OUT WHITE LETTERS, FLANGE TO HAVE SILVER MET. TRANSL. VINYL RING,

'HOTEL' - CABINET PAINTED BLACK, PUSH-THRU WHITE ACRYLIC TEXT,

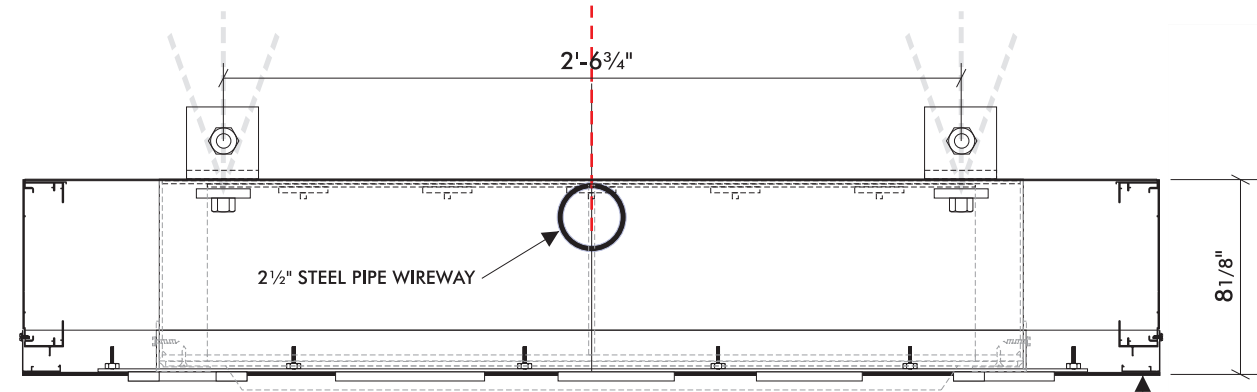
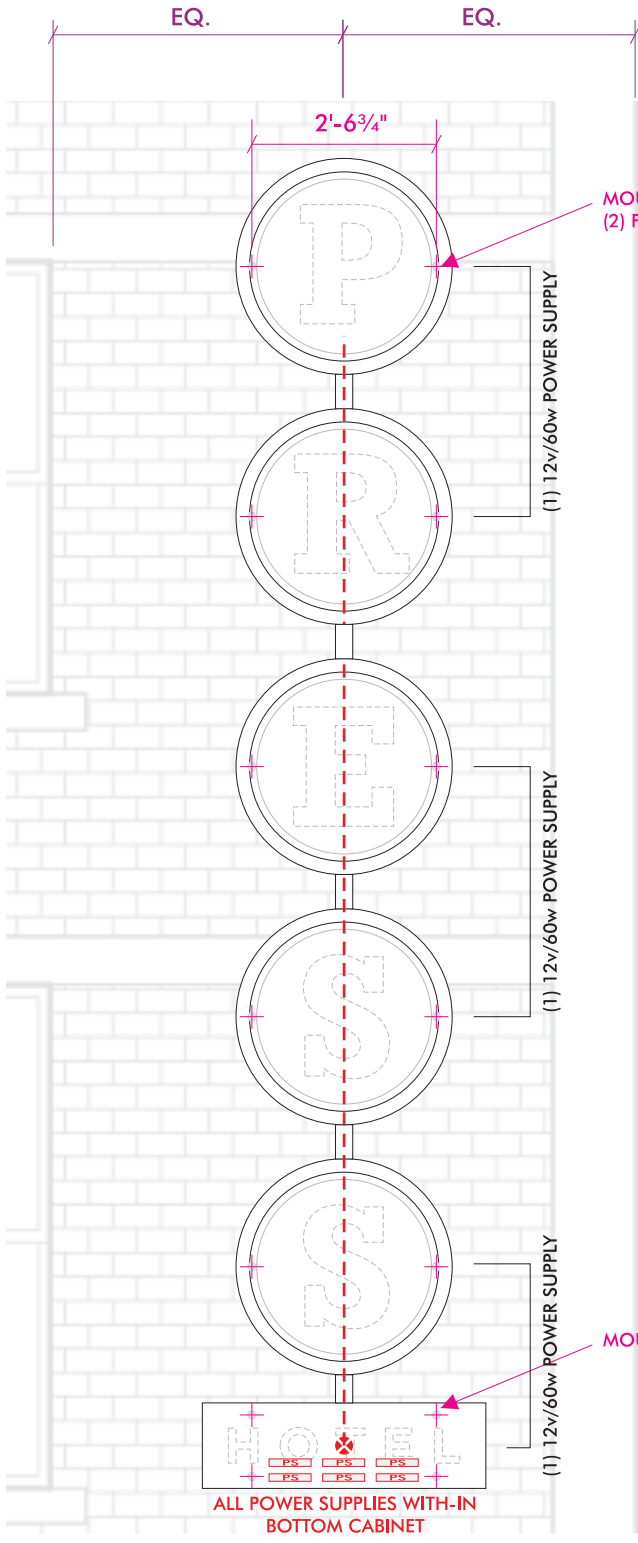
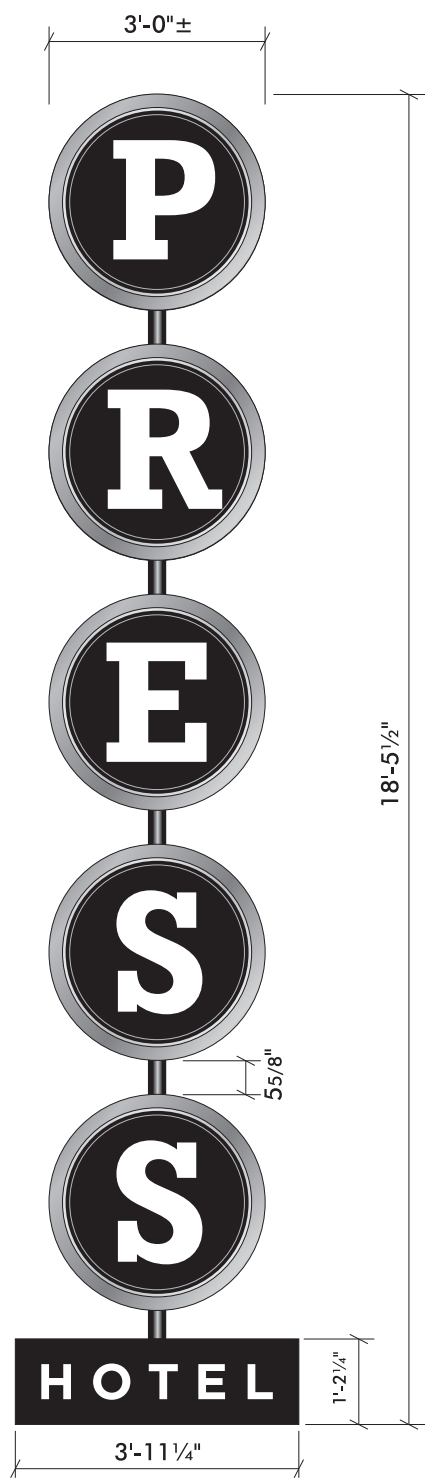
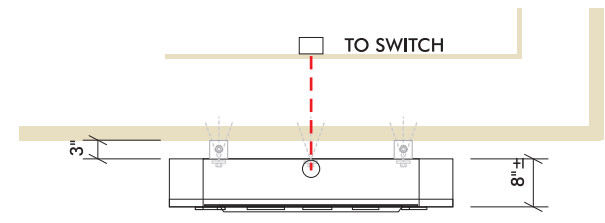
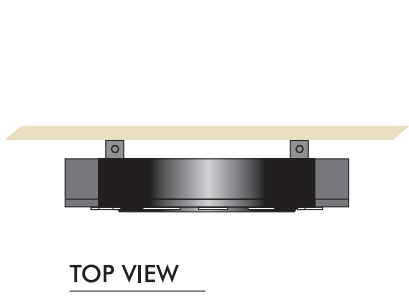
WHITE 'LED' ILLUMINATION INSIDE CABINETS, POWER SUPPLIES IN HOTEL CABINET, SEE LIGHTING DIAGRAM IN WO

MOUNTED TO WALL - 2 1/2" x 9" STEEL CHANNEL WITH WELDED CROSS BRACES, 2 1/2" SCHD. 40 PIPE" PROJECTING ARM SUPPORTS/VERTICAL SUPPORT LET THRU AND WELDED TO CHANNEL/BRACES, THRU BOLTED WITH 1/2" SS THREADED ROD/NUTS/WASHERS THRU WALL AND \_\_\_\_\_ x \_\_\_\_\_ x 3/8" THICK STEEL PLATES ON INSIDE OF WALL (TO SPAN 3 STUDS), FABRICATED REMOVABLE ALUMINUM CHANNEL COVER, SEE DETAIL, ELECTRICAL FEED IN CONDUIT THRU WALL, ALL WALL PENETRATIONS TO BE SEALED WITH SILICONE SEALANT

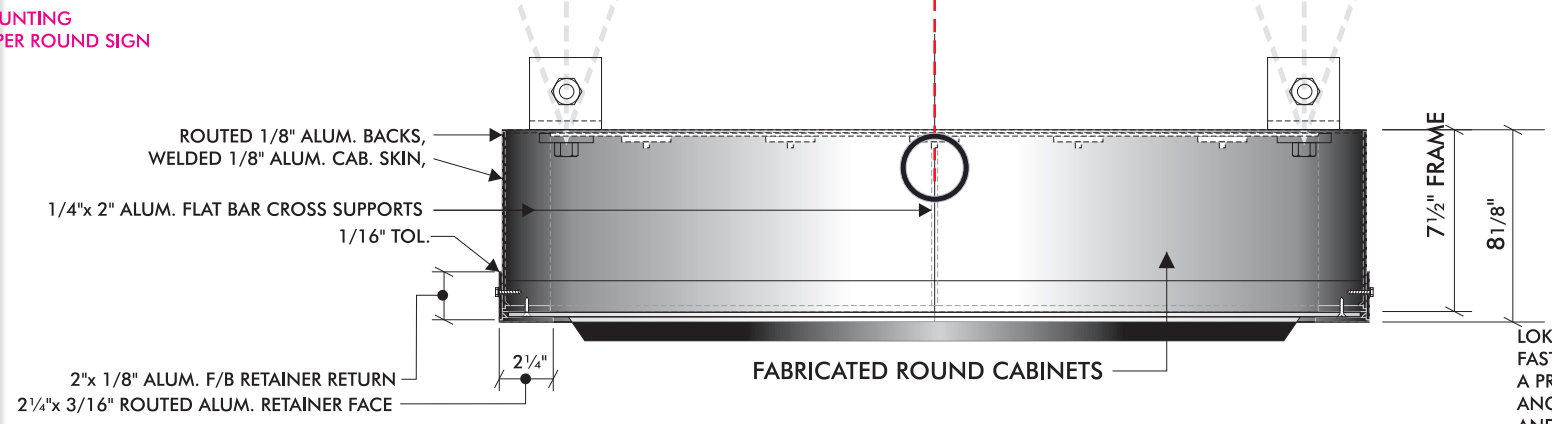
**SIGN NO. 1—FABRICATION**  
SCALE: 3/8" = 1'-0"

**Press Hotel  
18472**

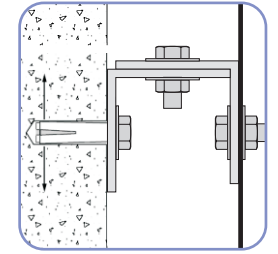
Location:	119 Exchange Street	
	Portland, Maine	
Drawing No.:	1 of 1	
Drawn by:	BK	Rep.: RM
Date:	12.19.2014	
Revised:	12.19.2014	
Lead No.:	ML020857	
Gen Ref.:		



S/C ALUM. S/F CAB. 8" 2-PART #1927, 15/8" RET. #1944, 1/8" ALUM., ROUTED LETTER OPENINGS, 1/2" CLEAR ACRYLIC PUSH-THRU LETTERS, 1st/2nd SFC WHITE TRANSL. VINYL



CABINETS/MOUNTING - DETAILS  
SCALE: 1 1/2" = 1'-0"



LOK-BOLT™ ANCHORING SYSTEM AS MFG BY POWERS FASTENERS, NEW ROCHELLE, NY OR EQUAL: A PRE-ASSEMBLED SINGLE UNIT SLEEVE ANCHOR FOR ANCHORING INTO SOLID AND HOLLOW CONCRETE AND MASONRY SUBSTRATES, PATENTED COMPRESSION RING PULLS FIXTURE FLUSH TO THE WORK SURFACE, AVAILABLE IN CARBON STEEL AND TYPE 304 STAINLESS STEEL; SEVERAL HEAD STYLES  
SIZE RANGE: 1/4" DIA. x 5/8" TO 3/4" DIA. x 7 1/2"

3"x 3" MATCHING SHOES  
SLEEVE-ANCHOR - MATCHING SHOES MOUNTING DETAIL  
NOT TO SCALE

CIRCULAR ALUMINUM CABINETS, PAINTED BLACK (DARK SILVER RETAINER FACE \_\_\_\_\_), FORMED/DEBOSSED ACRYLIC PAN FACES, SEE PAGE 1 FOR FACE DETAILS,

'HOTEL' - CABINET PAINTED BLACK, PUSH-THRU WHITE ACRYLIC TEXT,

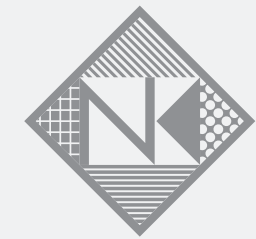
WHITE 'LED' ILLUMINATION INSIDE CABINETS, POWER SUPPLIES IN HOTEL CABINET,

MOUNTED TO WALL WITH MATCHING SHOES, 2 1/2 SCHD. 40 PIPE" WIREWAY CONNECTING CABINETS, SS BOLTS/NUTS/WASHERS, SEE DETAIL, ELECTRICAL FEED IN CONDUIT THRU WALL, ALL WALL PENETRATIONS TO BE SEALED WITH SILICONE SEALANT

**SIGN NO. 2—SINGLE FACE INT. ILLUM. WALL ID**  
SCALE: 3/8" = 1'-0" (1) REQUIRED

**Press Hotel  
18472**

Location:	119 Exchange Street	
	Portland, Maine	
Drawing No.:	3 of 8	
Drawn by:	BK	Rep.: RM
Date:	11.03.2014	
Revised:	12.19.2014	
Lead No.:	ML020857	
Gen Ref.:		



# Neokraft SIGN S

Neokraft Signs Inc.  
686 Main Street  
Lewiston, Maine 04240  
Telephone: 207.782.9654  
Facsimile: 207.782.0009  
1.800.339.2258  
<http://www.neokraft.com>

Custom Sign Fabrication

These plans are the exclusive property of Neokraft Signs, Inc. and are the result of the original work of its employees. They are submitted to Neokraft's client for the sole purpose of consideration of whether to purchase these plans or to purchase from Neokraft a sign manufactured according to these plans.

Distribution or exhibition of these plans to anyone other than employees of said client, or use of these plans to construct a sign similar to the one embodied herein, is expressly forbidden. In the event that such exhibition or construction occurs, Neokraft expects to be reimbursed \$1500 in compensation for time and effort entailed in creating these plans.

## Press Hotel 18472

Location: 119 Exchange Street

Portland, Maine

Drawing No.: 4 of 8

Drawn by: BK Rep.: RM

Date: 11.03.2014

Revised: 12.19.2014

Lead No.: ML020857

Gen Ref.:



A2.01 1

### EXCHANGE STREET ELEVATION

SCALE: 3/32" = 1'-0"



**Neokraft**  
S I G N S

Neokraft Signs Inc.  
686 Main Street  
Lewiston, Maine 04240  
Telephone: 207.782.9654  
Facsimile: 207.782.0009  
1.800.339.2258  
<http://www.neokraft.com>

Custom Sign Fabrication

These plans are the exclusive property of Neokraft Signs, Inc. and are the result of the original work of its employees. They are submitted to Neokraft's client for the sole purpose of consideration of whether to purchase these plans or to purchase from Neokraft a sign manufactured according to these plans.

Distribution or exhibition of these plans to anyone other than employees of said client, or use of these plans to construct a sign similar to the one embodied herein, is expressly forbidden. In the event that such exhibition or construction occurs, Neokraft expects to be reimbursed \$1500 in compensation for time and effort entailed in creating these plans.

**Press Hotel**  
**18472**

Location: 119 Exchange Street

Portland, Maine

Drawing No.: 5 of 8

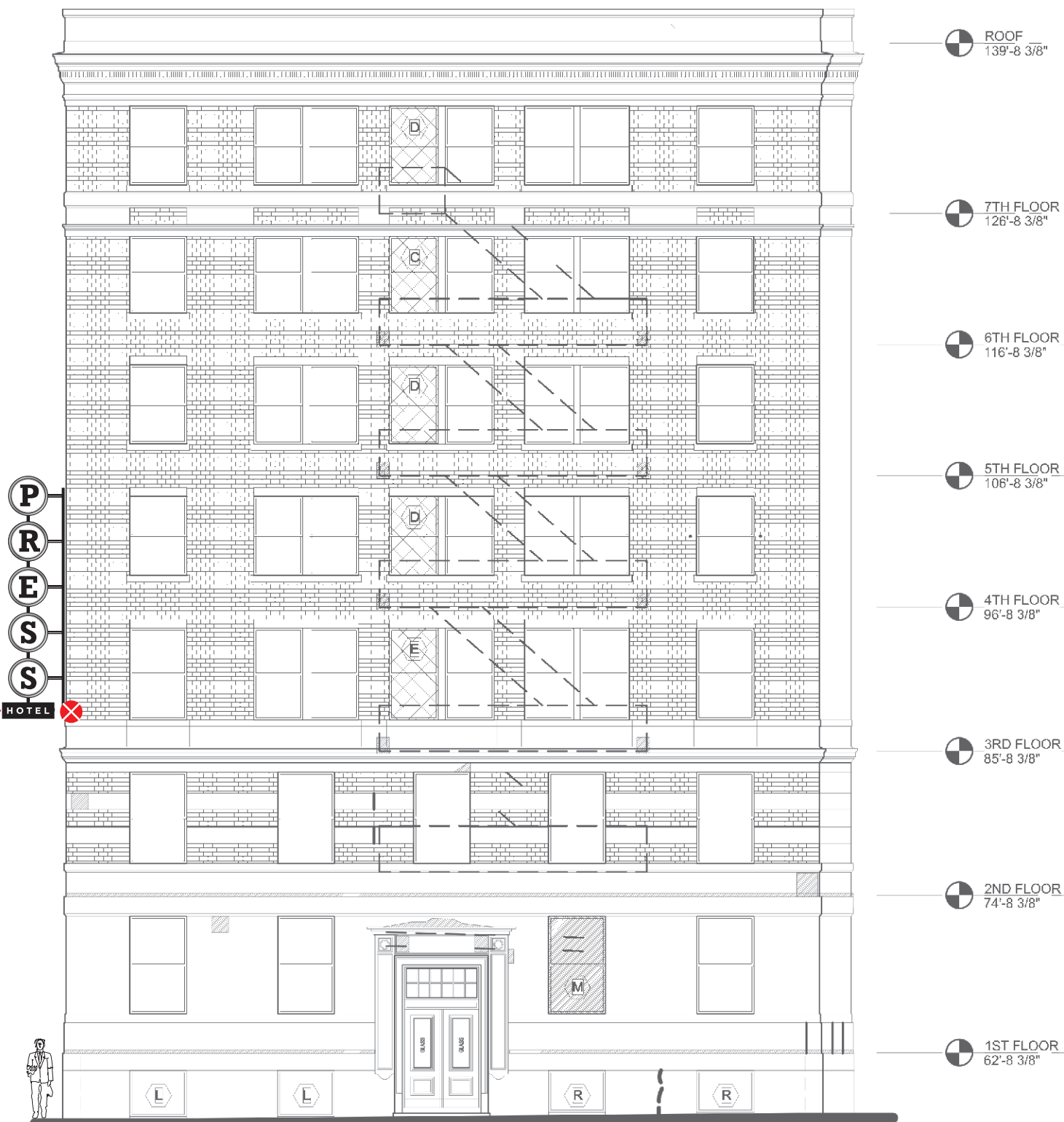
Drawn by: BK Rep.: RM

Date: 11.03.2014

Revised: 12.19.2014

Lead No.: ML020857

Gen Ref.:



**SIGN ①**  
BOTTOM OF SIGN TO ALIGN WITH  
BOTTOM OF 3rd FLOOR WINDOWS

ELECTRICAL PENETRATION THRU WALL,  
CENTERED IN CABINET

A2.03 1  
**FEDERAL STREET ELEVATION**

SCALE: 3/32" = 1'-0"

(1) REQUIRED



# Neokraft SIGN S

Neokraft Signs Inc.  
686 Main Street  
Lewiston, Maine 04240  
Telephone: 207.782.9654  
Facsimile: 207.782.0009  
1.800.339.2258  
<http://www.neokraft.com>

Custom Sign Fabrication

These plans are the exclusive property of Neokraft Signs, Inc. and are the result of the original work of its employees. They are submitted to Neokraft's client for the sole purpose of consideration of whether to purchase these plans or to purchase from Neokraft a sign manufactured according to these plans.

Distribution or exhibition of these plans to anyone other than employees of said client, or use of these plans to construct a sign similar to the one embodied herein, is expressly forbidden. In the event that such exhibition or construction occurs, Neokraft expects to be reimbursed \$1500 in compensation for time and effort entailed in creating these plans.

## Press Hotel 18472

Location: 119 Exchange Street

Portland, Maine

Drawing No.: 6 of 8

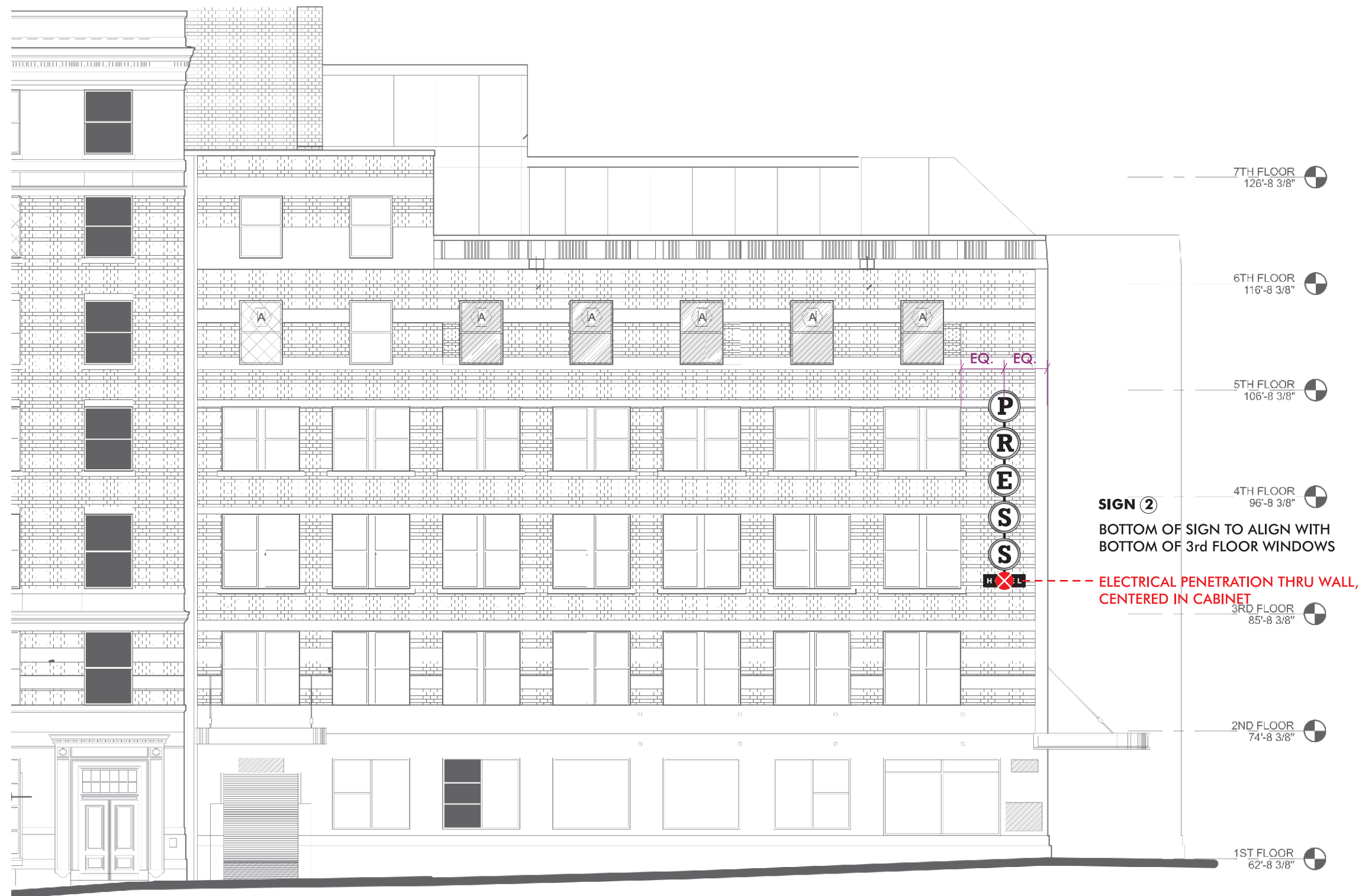
Drawn by: BK Rep.: RM

Date: 11.03.2014

Revised: 12.19.2014

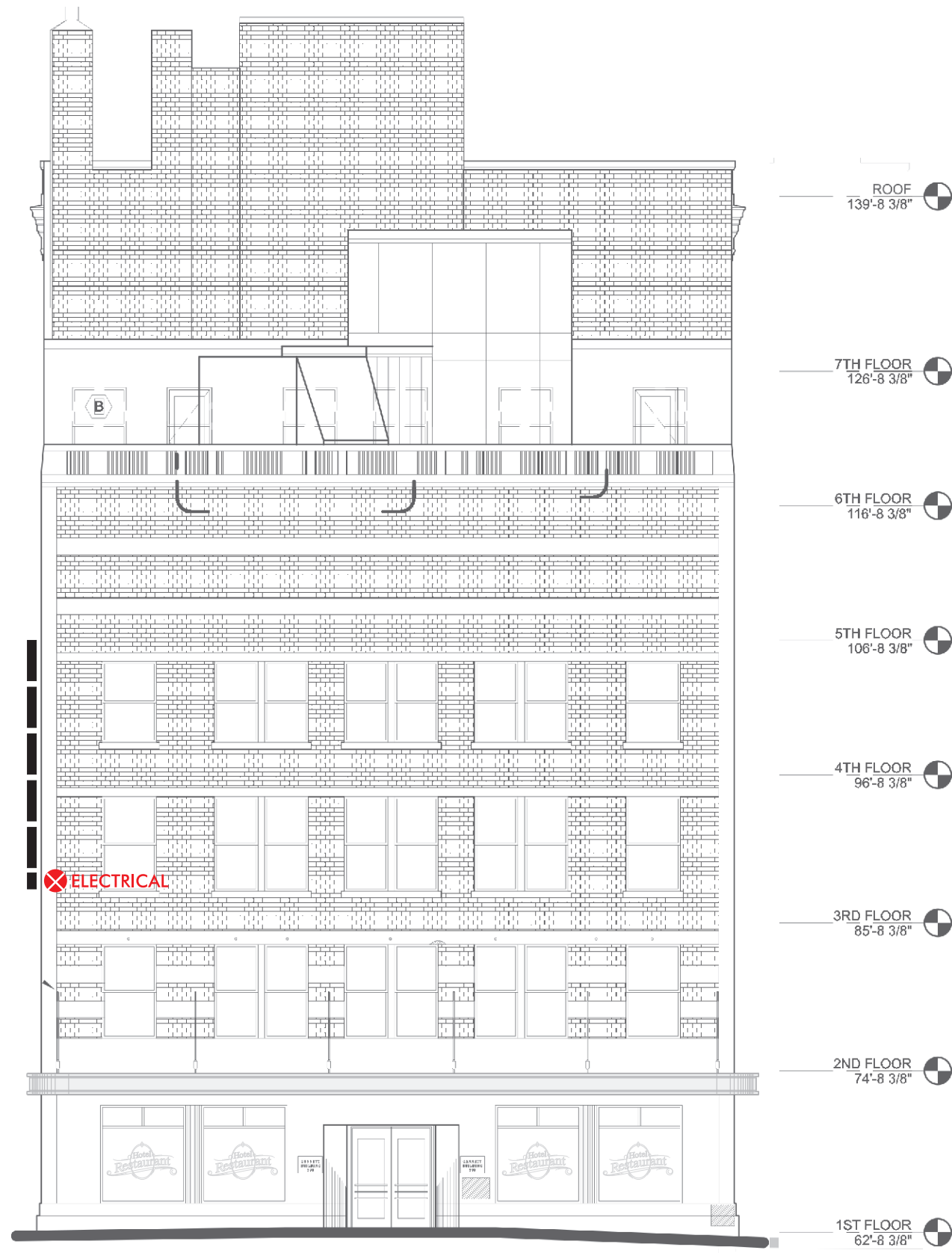
Lead No.: ML020857

Gen Ref.:



A2.01 1

MARKET STREET ELEVATION  
SCALE: 3/32"=1'-0"



A2.03 2

**CONGRESS STREET ELEVATION**  
 SCALE: 3/32" = 1'-0"



**Neokraft**  
 S I G N S

Neokraft Signs Inc.  
 686 Main Street  
 Lewiston, Maine 04240  
 Telephone: 207.782.9654  
 Facsimile: 207.782.0009  
 1.800.339.2258  
<http://www.neokraft.com>

Custom Sign Fabrication

These plans are the exclusive property of Neokraft Signs, Inc. and are the result of the original work of its employees. They are submitted to Neokraft's client for the sole purpose of consideration of whether to purchase these plans or to purchase from Neokraft a sign manufactured according to these plans.

Distribution or exhibition of these plans to anyone other than employees of said client, or use of these plans to construct a sign similar to the one embodied herein, is expressly forbidden. In the event that such exhibition or construction occurs, Neokraft expects to be reimbursed \$1500 in compensation for time and effort entailed in creating these plans.

**Press Hotel**  
 18472

Location:	119 Exchange Street	
	Portland, Maine	
Drawing No.:	7 of 8	
Drawn by:	BK	Rep.: RM
Date:	11.03.2014	
Revised:	12.19.2014	
Lead No.:	ML020857	
Gen Ref.:		



**Neokraft**  
SIGN S

Neokraft Signs Inc.  
686 Main Street  
Lewiston, Maine 04240  
Telephone: 207.782.9654  
Facsimile: 207.782.0009  
1.800.339.2258  
<http://www.neokraft.com>

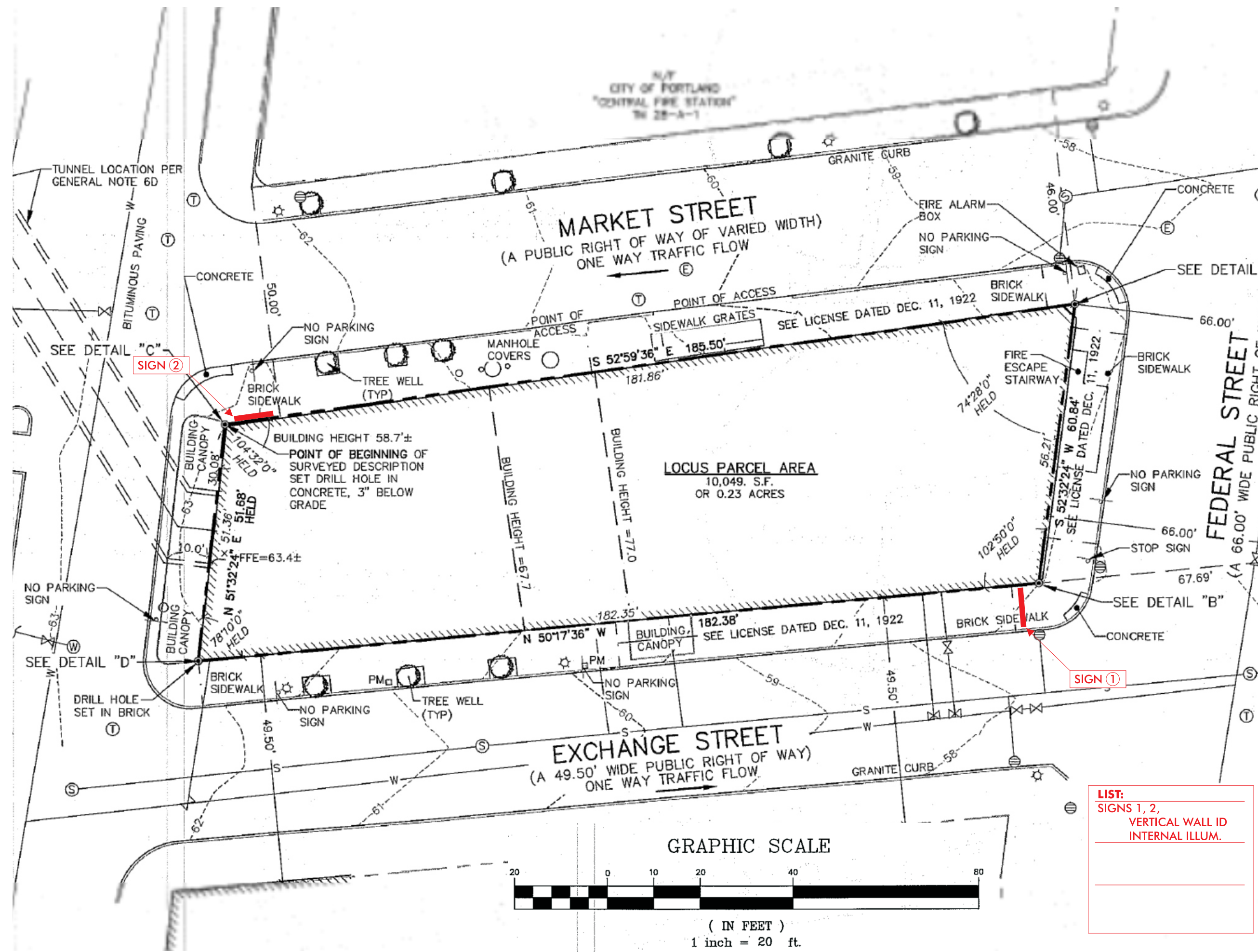
Custom Sign Fabrication

These plans are the exclusive property of Neokraft Signs, Inc. and are the result of the original work of its employees. They are submitted to Neokraft's client for the sole purpose of consideration of whether to purchase these plans or to purchase from Neokraft a sign manufactured according to these plans.

Distribution or exhibition of these plans to anyone other than employees of said client, or use of these plans to construct a sign similar to the one embodied herein, is expressly forbidden. In the event that such exhibition or construction occurs, Neokraft expects to be reimbursed \$1500 in compensation for time and effort entailed in creating these plans.

**Press Hotel**  
**18472**

Location:	119 Exchange Street
	Portland, Maine
Drawing No.:	8 of 8
Drawn by:	BK Rep.: RM
Date:	11.03.2014
Revised:	12.19.2014
Lead No.:	ML020857
Gen Ref.:	



**LIST:**  
SIGN S 1, 2,  
VERTICAL WALL ID  
INTERNAL ILLUM.