

32-C-1

119 Exchange Street

Press Hotel

119 Development, LLC.

#2012-602

City of Portland
 Development Review Application
 Planning Division Transmittal form

Application Number: 2012-602 **Application Date:** 9/24/2012 12:00:00 AM
CBL: 32-C-1 & 2
Project Name: Hotel Conversion of Former Grannett Building
Address: 119 Exchange Street

Project Description: Renovation and conversion into a 110-room hotel with an 80-seat restaurant and ancillary hotel functions.
Zoning: B3
Other Reviews Required: Historic Preservation
Review Type: Level III Major Site Plan

Distribution List:

<input type="checkbox"/> Planner	Shukria Wiar	<input type="checkbox"/> Parking	John Peverada
<input type="checkbox"/> Zoning	Marge Schmuckal	<input type="checkbox"/> Design Review	Alex Jaegerman
<input type="checkbox"/> Traffic Engineer	Tom Errico	<input type="checkbox"/> Corporation Counsel	Danielle West-Chuhta
<input type="checkbox"/> Civil Engineer	David Senus	<input type="checkbox"/> Sanitary Sewer	John Emerson
<input type="checkbox"/> Fire Department	Chris Pirone	<input type="checkbox"/> Inspections	Tammy Munson
<input type="checkbox"/> City Arborist	Jeff Tarling	<input type="checkbox"/> Historic Preservation	Deb Andrews
<input type="checkbox"/> Engineering	David Margolis-Pineo	<input type="checkbox"/> DRC Coordinator	Phil DiPierro
		<input type="checkbox"/> Outside Agency	

Comments needed by (7 days later): Wednesday, October 3, 2012



September 27, 2012

Dear Neighbor:

Please join us for a neighborhood meeting to discuss our plans for a 110 room hotel and 80 seat restaurant located at 119 Exchange St., in the former Portland Press Herald building.

Meeting Location: City Hall, Room 24 (basement), 389 Congress St.

Meeting Date: October 11, 2012

Meeting Time: 5:30 PM

The City code requires that property owners within 500 feet (except notices must be sent to property owners within 1000 feet for industrial zoning map amendments and industrial subdivisions) of the proposed development and residents on an "interested parties list", be invited to participate in a neighborhood meeting. A sign-in sheet will be circulated and minutes of the meeting will be taken.

Both the sign-in sheet and minutes will be submitted to the Planning Board.
If you have any questions, please call Kevin Bunker at 207-772-7673,

Sincerely,

A handwritten signature in black ink, appearing to read 'KB', written in a cursive style.

Kevin Bunker, Manager
119 Development LLC

Note: Under Section 14-32(C) and 14-525 of the City Code of Ordinances, an applicant for a Level III development, subdivision of over five lots/units, or zone change is required to hold a neighborhood meeting within three weeks of submitting a preliminary application or two weeks of submitting a final site plan application, if a preliminary plans was not submit. The neighborhood meeting must be held at least seven days prior to the Planning Board public hearing on the proposal. Should you wish to offer additional comments on this proposed development, you may contact the Planning Division at 874-8721 or send written correspondence to the Planning and Urban Development Department, Planning Division 4th Floor, 389 Congress Street Portland, ME 04101 or by email: to bab@portlandmaine.gov

CITY OF PORTLAND, MAINE

PLANNING BOARD

Carol Morrisette, Chair
Stuart O'Brien, Vice Chair
Timothy Dean
Bill Hall
David Silk
Elizabeth Boepple
Sean Dundon

February 12, 2013

119 Development, LLC
c/o Developers Collaborative
Attention: Jim Brady
17 Chestnut Street
Portland, ME 04101

Deluca-Hoffman Associates, Inc.
Attention: Stephen R. Bushey, PE
778 Main Street
South Portland, ME 04106

Project Name:	Hotel Conversion- Former Gannett Building	Project ID:	2012-602
Address:	119 Exchange Street	CBL:	032C001
Applicant:	119 Development, LLC		
Planner:	Shukria Wiar		

Dear Mr. Brady:

On January 22, 2013, the Planning Board considered the Level III application for the reuse of the Guy Gannett Building on Congress Street. The proposal is to convert the existing office building into a 110-room luxury boutique hotel and restaurant. The Planning Board voted 6-0 (Silk recused) that the plan is in conformance with the site plan standards of the Land Use Code, subject to the following conditions of approval to be met prior to the issuance of a building permit, unless stated otherwise below:

1. The applicant shall submit the proposed easements for the snow melt system and grease trap, the proposed license agreement for the planters in the right-of-way, the proposed maintenance agreement for the sidewalk material for review and approval by Corporation Counsel prior to the issuance of a Certificate of Occupancy. The proposed easement and change in sidewalk material will require the review and approval of the City Council.
2. The design of the extension of the sidewalk on Exchange Street (i.e. bump-out) shall include evenly spaced bollards that prevent its use as a drop-off location for hotel guests so that Exchange Street traffic flow is not impeded. If these structures do not work to prevent the drop off at this location, the staff will work with the owner to mitigate with provisions such as chain or other mechanisms.
3. The 'Valet Area' on the site plan shall be noted as "Hotel Drop-Off Area" on the final site plan and traffic signage.
4. The traffic conditions, specifically the travel lane alignment for westbound traffic, on Federal Street shall be monitored one year after the issuance of the certificate of occupancy. If post-improvement conditions indicate a deficiency, the applicant shall be responsible for any required pavement marking and/or signage changes to mitigate the identified deficiency.

3. **Site Plan Expiration** The site plan approval will be deemed to have expired unless work has commenced within one (1) year of the approval or within a time period up to three (3) years from the approval date as agreed upon in writing by the City and the applicant. Requests to extend approvals must be received before the one (1) year expiration date.
4. **Performance Guarantee and Inspection Fees** A performance guarantee covering the site improvements, inspection fee payment of 2.0% of the guarantee amount and seven (7) final sets of plans must be submitted to and approved by the Planning Division and Public Services Department prior to the release of a building permit, street opening permit or certificate of occupancy for site plans. If you need to make any modifications to the approved plans, you must submit a revised site plan application for staff review and approval.
5. **Defect Guarantee** A defect guarantee, consisting of 10% of the performance guarantee, must be posted before the performance guarantee will be released.
6. **Preconstruction Meeting** Prior to the release of a building permit or site construction, a pre-construction meeting shall be held at the project site. This meeting will be held with the contractor, Development Review Coordinator, Public Service's representative and owner to review the construction schedule and critical aspects of the site work. At that time, the Development Review Coordinator will confirm that the contractor is working from the approved site plan. The site/building contractor shall provide three (3) copies of a detailed construction schedule to the attending City representatives. It shall be the contractor's responsibility to arrange a mutually agreeable time for the pre-construction meeting.
7. **Department of Public Services Permits** If work will occur within the public right-of-way such as utilities, curb, sidewalk and driveway construction, a street opening permit(s) is required for your site. Please contact Carol Merritt at 874-8300, ext. 8828. (Only excavators licensed by the City of Portland are eligible.)
8. **As-Built Final Plans** Final sets of as-built plans shall be submitted digitally to the Planning Division, on a CD or DVD, in AutoCAD format (*.dwg), release AutoCAD 2005 or greater.

The Development Review Coordinator must be notified five (5) working days prior to the date required for final site inspection. The Development Review Coordinator can be reached at the Planning Division at 874-8632. All site plan requirements must be completed and approved by the Development Review Coordinator prior to issuance of a Certificate of Occupancy. Please schedule any property closing with these requirements in mind.

If there are any questions, please contact Shukria Wiar at (207) 756-8083 or via email at shukriaw@portlandmaine.gov

Sincerely,



Carol Morrissette, Chair
Portland Planning Board



FAY, SPOFFORD &
THORNDIKE
778 Main Street, Suite 8
South Portland, ME 04106
Toll Free: 800.835.8666
Main: 207.775.1121
Fax: 207.879.0896
www.fstinc.com

February 3, 2014

Ms. Barbara Barhydt
Development Review Service Manager
Planning and Urban Development Department
City of Portland, Maine
389 Congress Street
Portland, Maine 04101-3509

**Subject: Hotel Conversion – Former Gannett Building
119 Exchange Street
Press Hotel – Condition Compliance
Applicant: 119 Development LLC**

Dear Barbara:

On behalf of 119 Development LLC, we are pleased to provide the accompanying package of submission materials related to satisfying Condition #11 of the Site Plan approval. This condition requires the submission of site lighting information. The accompanying materials have been reviewed by the Historic Preservation Board and a Certificate of Appropriateness for Exterior Alterations has been approved at the January 8, 2014 Board meeting.

The following materials accompanying this submission:

- Historic Preservation Board Public Hearing Memo
- Lighting Details
- Lighting Fixture Schedule
- Lighting Cuts
- Lighting Layout
- Lighting Calculation

Please find one (1) hard copy of the lighting submission materials including one (1) set each of 11x17 size plans and full size plans, along with a CD containing PDF files for all submitted materials.

FAY, SPOFFORD & THORNDIKE

Ms. Barbara Barhydt
February 3, 2014
Page 2

If you have any questions regarding these materials please contact this office.

Sincerely,

FAY, SPOFFORD & THORNDIKE

A handwritten signature in black ink, appearing to read "Stephen R. Bushey". The signature is fluid and cursive, with a long horizontal stroke at the end.

Stephen R. Bushey, P.E.
Senior Principal Engineer

SRB/smk

Attachments

c: James Brady, 119 Development LLC
David Lloyd, Archetype

R:\3143.01-Press Herald Building Conversion\Admin\Permitting\3143.01 2014.02.03-Barhydt-Condition Compliance.doc

HISTORIC PRESERVATION BOARD
CITY OF PORTLAND, MAINE

PUBLIC HEARING
390 CONGRESS STREET / 119 EXCHANGE STREET

TO: Chair Romano and Members of the Historic Preservation Board
FROM: Deborah Andrews, Historic Preservation Program Manager
DATE: December 26, 2013
RE: January 8, 2014 Public Hearing

Application for: Certificate of Appropriateness for Comprehensive Exterior Lighting Program
Address: 390 Congress Street/119 Exchange Street
Former Portland Press Herald Building Complex
Applicant: 119 Development, LLC
Represented by Jim Brady
Architect: David Lloyd, Archetype
Lighting Consultant: Kugler Ning Lighting Design

Introduction

In February 2013, the Historic Preservation Board approved plans for exterior and site alterations associated with the conversion of the former Portland Press Herald building complex to a boutique hotel. At the time of the public hearing, the applicant indicated that their plans for exterior lighting and signage were still in the preliminary design phase and that they would be presented to the Board for review and approval once finalized. On Wednesday, the applicant will be seeking approval for a comprehensive exterior lighting program, which includes lighting at the building entrances, up- and down-lighting of exterior elevations, as well as some lighting at the sidewalk. Note that the applicant's signage plans have not yet been finalized.

The proposed lighting plan was developed by Kugler Ning Lighting Design of New York. Project architect David Lloyd, who is familiar with the details of the lighting proposal, will be presenting the plan for Kugler Ning on Wednesday. Enclosed for the Board's review is an overall lighting plan, a series of night views of the building showing the

intended effect of the proposed scheme, details of the lighting proposed for the Exchange Street and Congress Street entrance canopies, and specifications for the various proposed fixtures.

As photos of existing conditions have not been provided, Board members are encouraged to visit the property to better understand how the installed light fixtures will affect existing features.

Background: Subject Building Complex

The Portland Press Herald Building complex occupies a full city block bound by Congress, Exchange, Federal and Market Streets. The building complex is comprised of two components: a seven-story main block built in 1923 which is located at the southern end of the block and a five-story addition built in 1948 which fronts onto Congress Street. Both the original block and the later addition were designed by the Boston architectural firm of Desmond & Lord.

Please refer to the Part I application prepared by Tremont Preservation Services for a detailed architectural description and statement of significance.

Scope of Lighting Proposal

As the applicant's cover letter indicates, the proposed lighting plan was designed to not only provide adequate lighting for functional purposes, but also to highlight/enhance the architecture of the hotel and subtly unify the two buildings that make up the hotel complex. As the two component structures were built at separate times (1923 and 1948) and represent different architectural styles (Beaux Arts style and Moderne) an effort was made to select neutral fixtures that are neither historicist nor visually prominent.

The proposed lighting plan includes the following components (see specification for each fixture type):

- Wall-mounted sconces (KE7) around the entire perimeter of the building complex. Sconces provide both uplighting and downlighting.
- At the Exchange Street entrance:
 - * downlights (KE3) installed on the underside of the entrance canopy to light the ground
 - * an LED continuous light strip (KE13) set just behind the canopy's tracery
 - * uplights (KE1) mounted to canopy roof to illuminate flagpoles and further highlight the hotel entrance
- At the Congress Street entrance:
 - * surface-mounted adjustable fixtures (KE9) set behind the canopy to illuminate the ground
 - * adjustable halogen downlights (KE6) installed within recessed entrance vestibule

- At the Federal Street entrance, a surface-mounted linear light band (KE12 that stands off the building face to illuminate the inscribed *Press Herald* sign above the door
- At the Federal Street sidewalk, at-grade uplighting (KE8) within the four planting beds to illuminate trees
- At the Exchange Street sidewalk, bollard lighting (KE5) at the bump-out in front of the hotel entrance. Lights will be set on inward-face of bollards,
- Industrial fixtures (EX1) at Market Street loading dock.

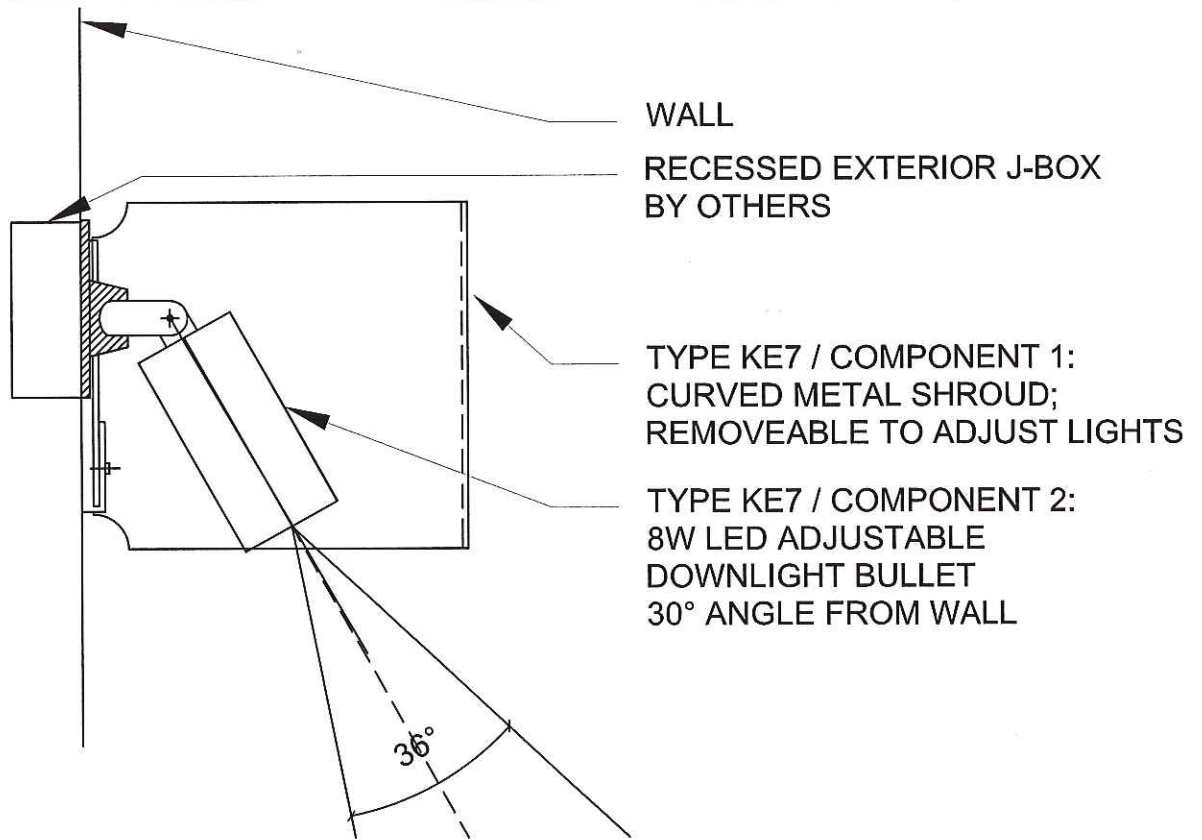
Applicable Review Standards

The following ordinance standards apply in the review of this project:

- (1) *Every reasonable effort shall be made to provide a compatible use for the property which requires minimal alteration to the character-defining features of the structure, object or site and its environment or to use a property for its originally intended purpose.*
- (2) *The distinguishing original qualities or character of a structure, object or site and its environment shall not be destroyed. The removal or alteration of any historic material or distinctive architectural features should be avoided when possible.*
- (9) *Contemporary design for alterations and additions to existing properties shall not be discouraged when such alterations and additions do not destroy significant cultural, historical, architectural or archeological materials that characterize the property. The new work shall be differentiated from the old and shall be compatible with the size, scale, color, material and character of the property, neighborhood or environment.*
- (10) *Wherever possible, new additions or alterations to structures and objects shall be undertaken in such a manner that, if such additions or alterations were to be removed in the future, the essential form and integrity of the historic property would be unimpaired.*

Motion for Consideration

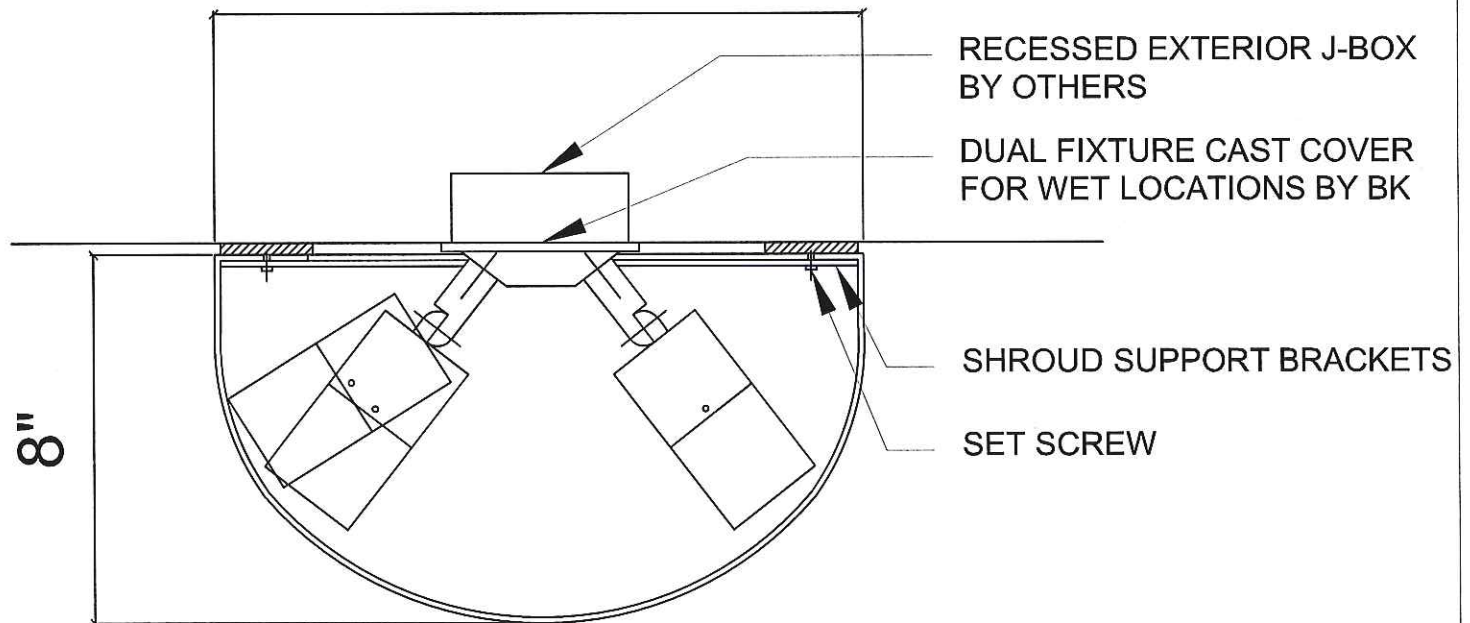
On the basis of plans and specifications submitted for the 1/8/14 Public Hearing and information included in the accompanying staff report, the Board finds that the proposed exterior and site lighting plan for 119 Exchange Street/390 Congress Street **meets (fails to meet)** the Standards for Review of Alterations within the historic preservation ordinance, specifically Standards..... **(This decision is made subject to the following conditions...)**



SECTION

Scale: 3" = 1'-0"

1'-2"

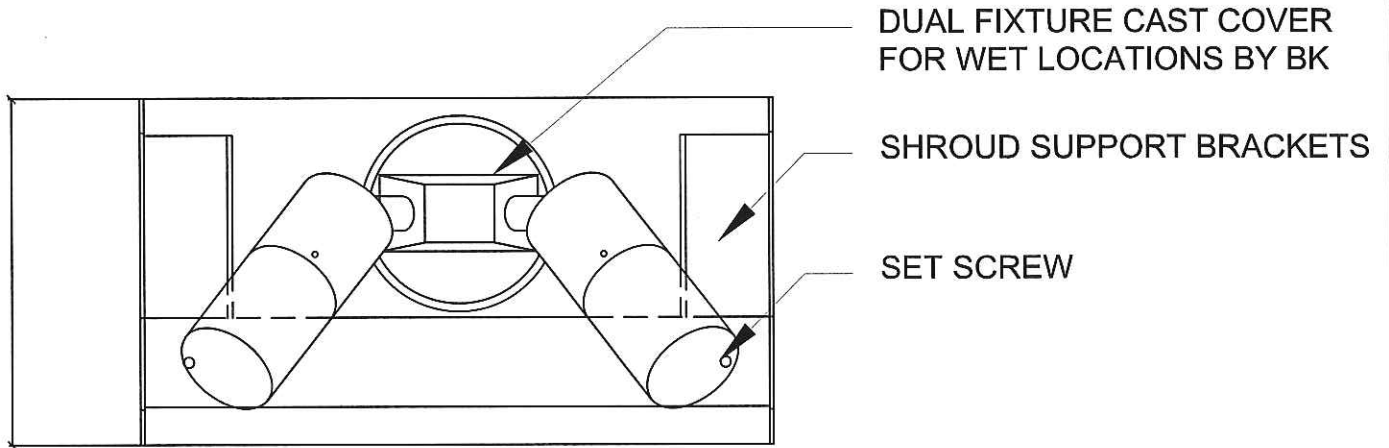


PLAN

Scale: 3" = 1'-0"

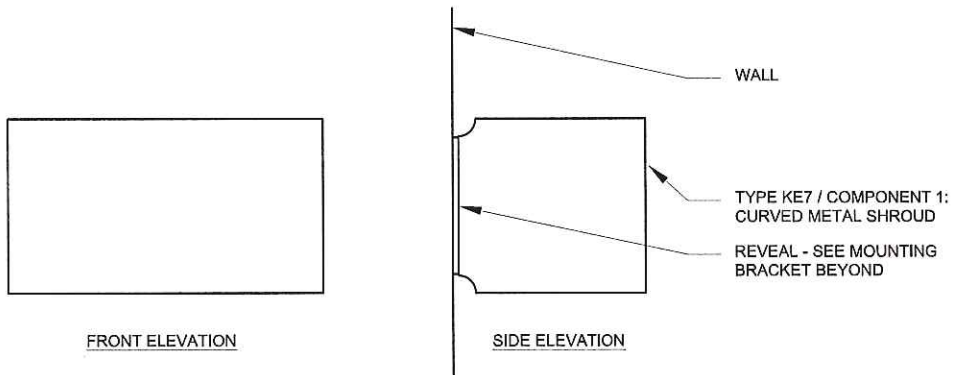
PROJECT NAME:	THE PRESS HOTEL	DATE:	01/15/2014
DRAWING NAME:	HOTEL CANOPY DETAIL	SCALE:	AS NOTED
KUGLER NING Lighting Design	49 West 38th Street New York, NY 10018 Tel: 212 382 2100 Fax: 212 730 4412	REVISION:	

7 1/2"



SECTION

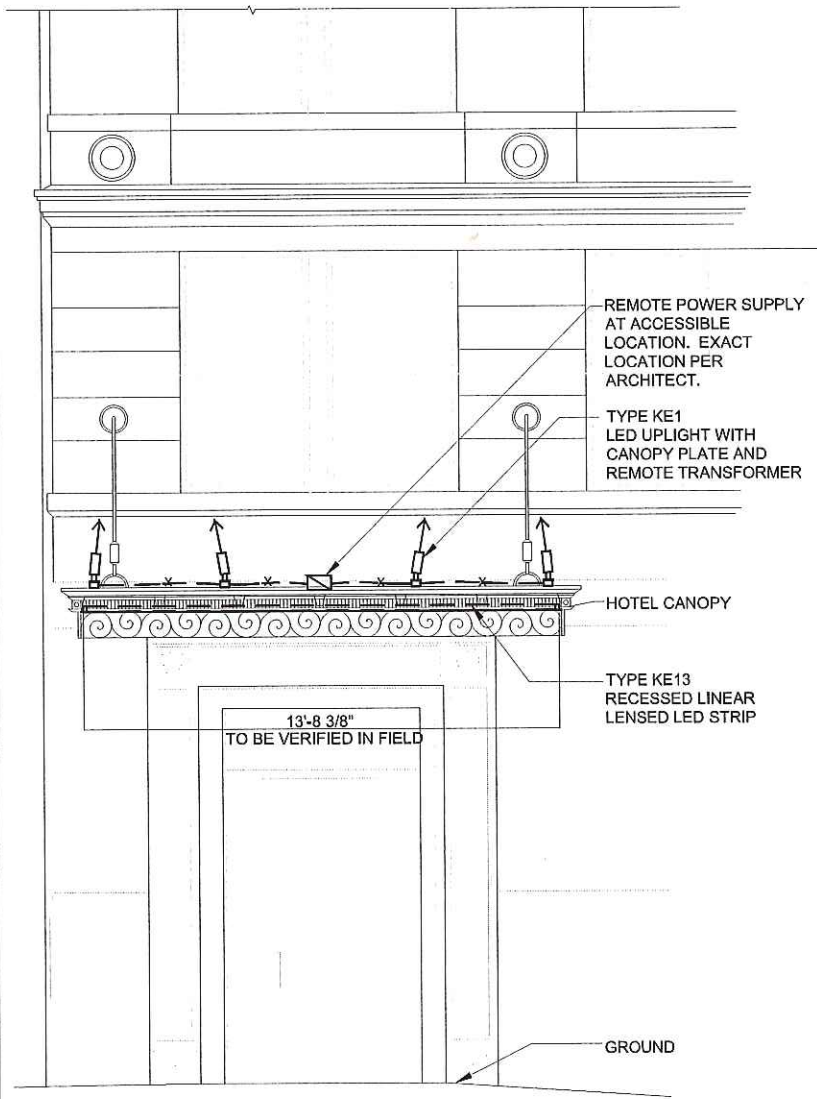
Scale: 3" = 1'-0"



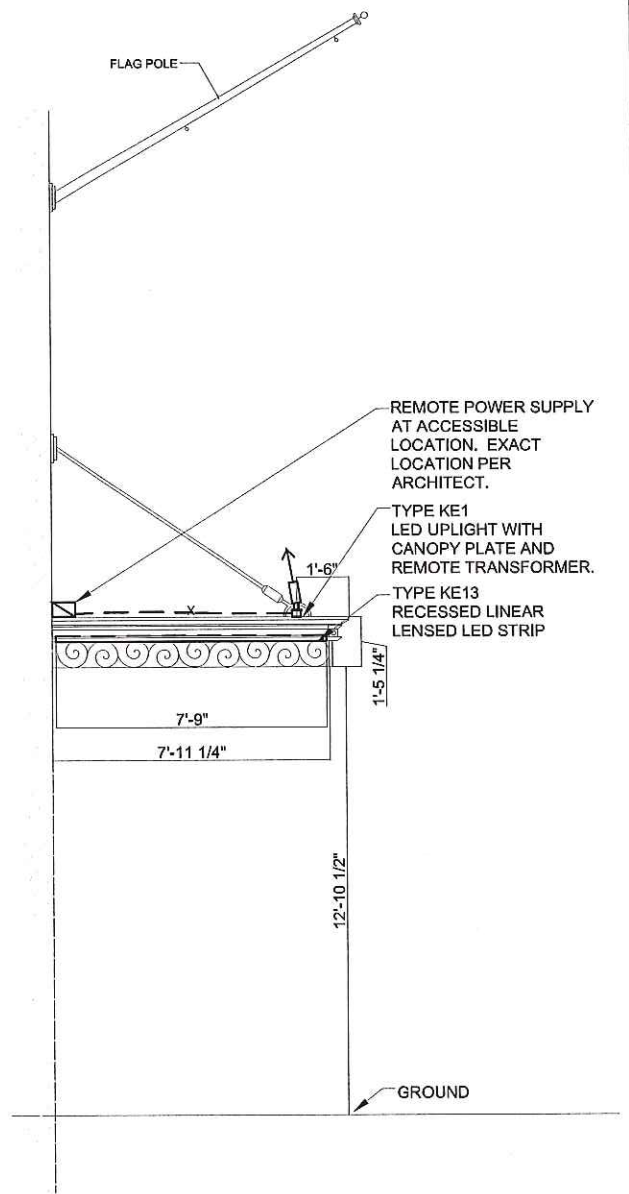
ELEVATIONS

Scale: 1 1/2" = 1'-0"

PROJECT NAME:	THE PRESS HOTEL	DATE:	01/15/2014
DRAWING NAME:	HOTEL CANOPY DETAIL	SCALE:	AS NOTED
KUGLER NING	Lighting Design 49 West 38th Street New York, NY 10018 Tel: 212 382 2100 Fax: 212 730 4412	REVISION:	

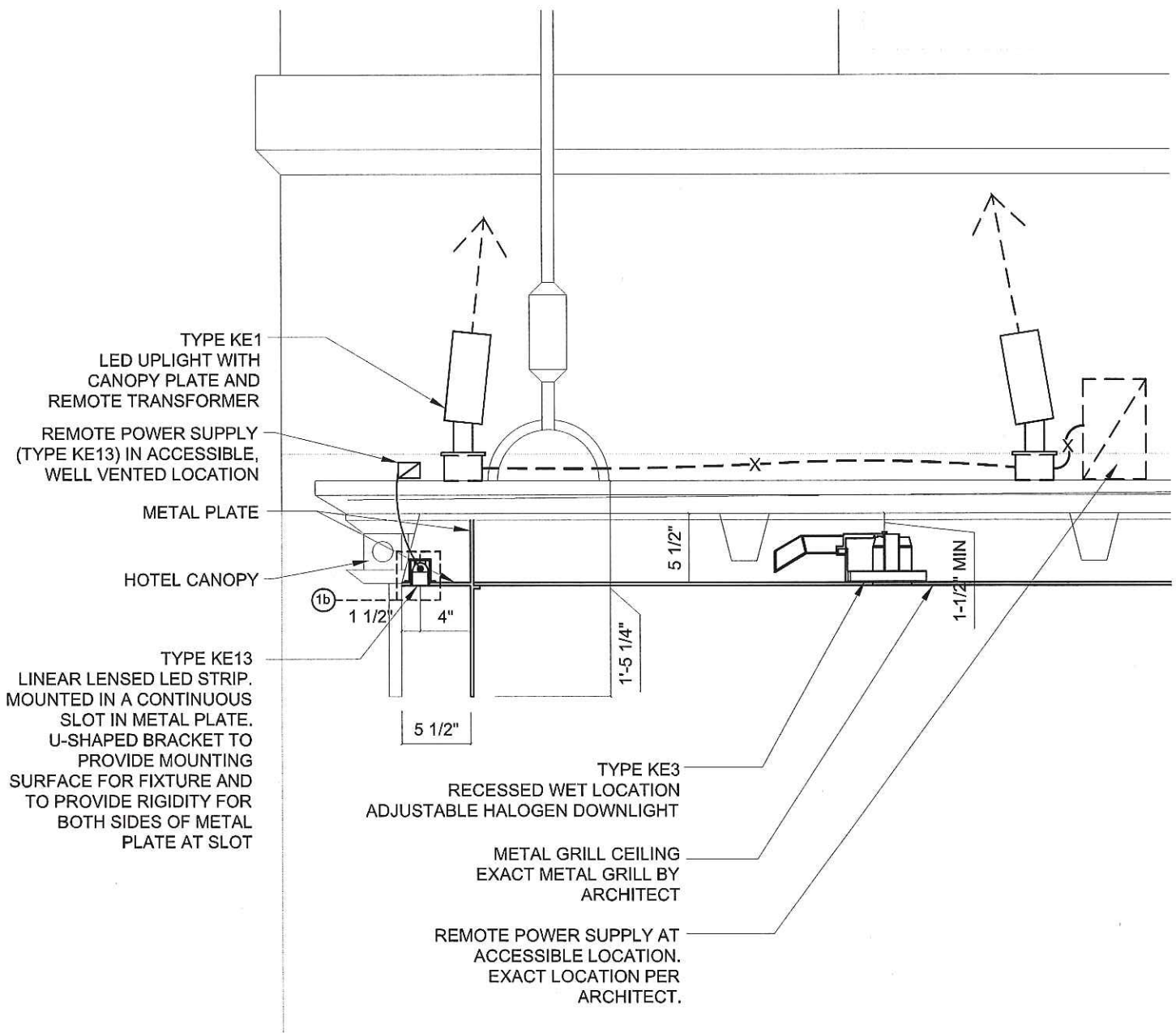


1 FRONT ELEVATION



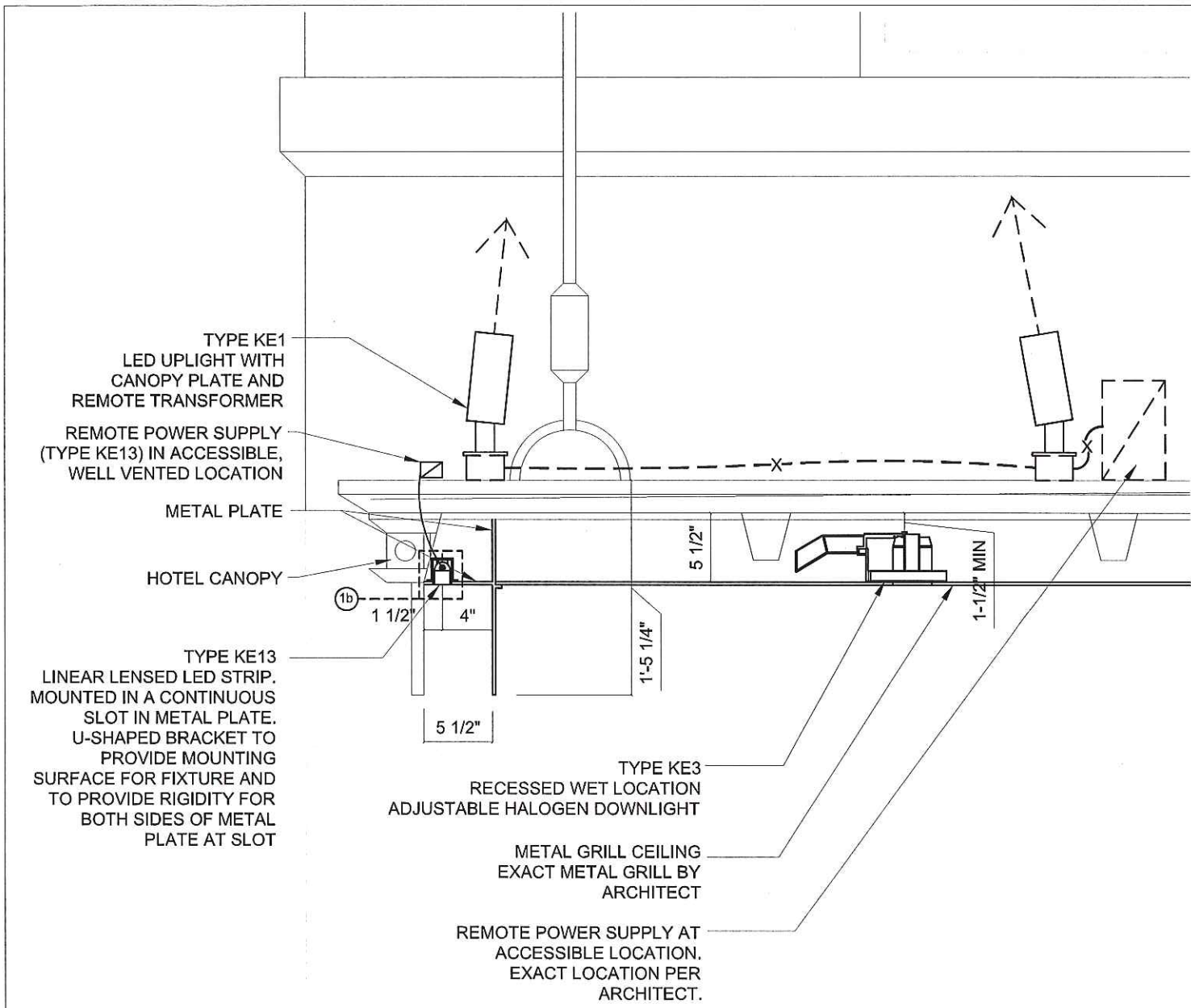
2 SIDE ELEVATION

PROJECT NAME: THE PRESS HOTEL		DATE: 10/14/2013
DRAWING NAME: HOTEL CANOPY ELEVATION		SCALE: 3/16" = 1'-0"
KUGLER NING Lighting Design 49 West 38th Street New York, NY 10018 Tel: 212 382 2100 Fax: 212 730 4412	REVISION: 11/08/2013	
	01/15/2014	

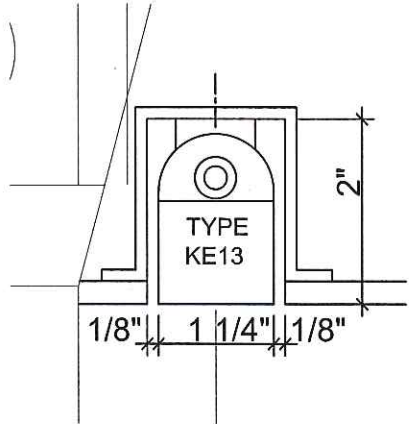


1a ENLARGED DETAIL

PROJECT NAME:	THE PRESS HOTEL	DATE:	09/20/2013
DRAWING NAME:	HOTEL CANOPY DETAIL	SCALE:	1" = 1'-0"
KUGLER NING Lighting Design	49 West 38th Street New York, NY 10018 Tel: 212 382 2100 Fax: 212 730 4412	REVISION:	11/08/2013 01/15/2014



1a ENLARGED DETAIL



1b ENLARGED DETAIL at LED STRIP - KE13

PROJECT NAME:	THE PRESS HOTEL	DATE:	10/14/2013
DRAWING NAME:	HOTEL CANOPY DETAIL	SCALE:	1" = 1'-0"
KUGLER NING Lighting Design 49 West 38th Street New York, NY 10018 Tel: 212 382 2100 Fax: 212 730 4412	REVISION:		
	11/08/2013 01/15/2014		

REMOTE TRANSFORMER TO
BE LOCATED IN WELL
VENTILATED, ACCESSIBLE
LOCATION QUANTITY AND
LOCATION PER CONTRACTOR.

LOW VOLTAGE WIRE

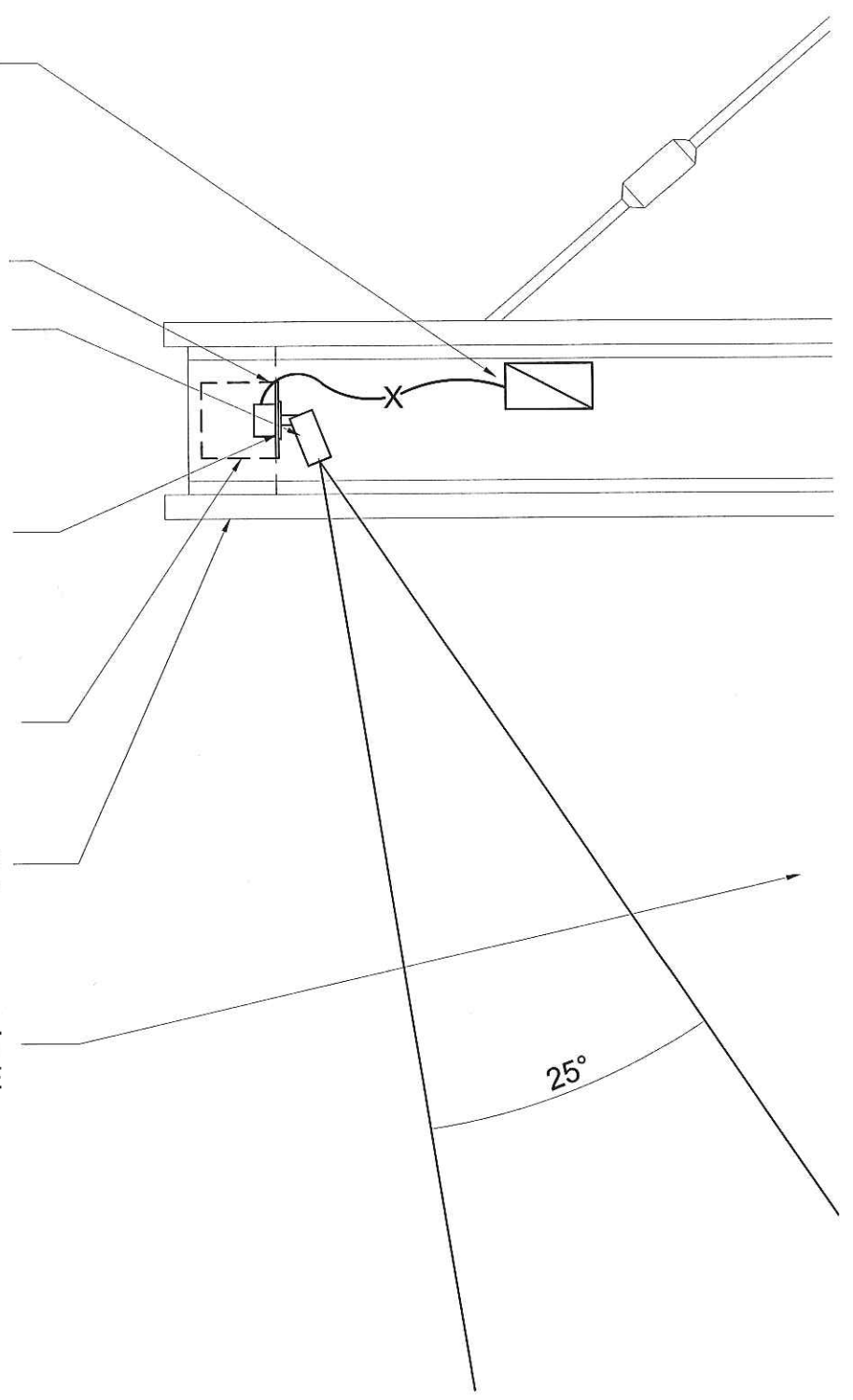
TYPE KE9
SURFACE MOUNTED
ADJUSTABLE LED TO
REPLACE EXISTING
FIXTURES IN CANOPY

EXISTING FIXTURES AND
LENSES TO BE REMOVED
AND REPLACED WITH BLANK
METAL PLATE

EXISTING CAVITY

EXISTING
EXTERIOR CANOPY

RESTAURANT
BUILDING FACADE



3 CANOPY SECTION

PROJECT NAME:	THE PRESS HOTEL	DATE:	09/20/2013
DRAWING NAME:	RESTAURANT CANOPY SECTION	SCALE:	3/4" = 1'-0"
KUGLER NING Lighting Design 49 West 38th Street New York, NY 10018 Tel: 212 382 2100 Fax: 212 730 4412	REVISION:		
	01/15/2014		

TYPE KE3
 RECESSED WET LOCATION
 ADJUSTABLE HALOGEN
 DOWNLIGHT TO REPLACE
 EXISTING FIXTURE

5 1/2"

SOFFIT

EQ

EQ

WALL BEHIND

ENTRY DOOR TO
 RESTAURANT

4

VESTIBULE SECTION

PROJECT NAME: THE PRESS HOTEL		DATE: 09/20/2013
DRAWING NAME: RESTAURANT VESTIBULE SECTION		SCALE: 1-1/2" = 1'-0"
KUGLER NING	Lighting Design	REVISION: 01/15/2014
	49 West 38th Street New York, NY 10018 Tel: 212 382 2100 Fax: 212 730 4412	

Architectural Lighting Fixture Schedule

TYPE	MANUFACTURER AND CATALOG NUMBER	DESCRIPTIONS AND REMARKS	LAMP	TRIM
KE1	BK Lighting DE-LED-x21-SP-BLW-12 Remote Transformer: RM-D15INC-120 Contact: N: Gerry Trollo C: Enterprise Lighting Sales 20 West 36th Street New York, NY 10018 T: (212) 343-1336 E: gtrollo@enterels.com	Surface mounted 15W LED flag uplight with remote transformer dimmable via incandescent dimmers. Fixture is aluminum, nominally 7-3/16" H x 3" diameter, with 2-11/196" adjustable knuckle. Manufacturer to provide canopy mount for surface mounted j-box, soft focus lens, and 45° cap style. Architect to verify black finish. INSTALLATION NOTES: 1- Contractor to coordinate all accessories as required for proper mounting, wiring, and power feeds for a complete installation. 2- Contractor to coordinate fixture mounting with architectural detail drawings, manufacturer's installation requirements and field conditions. 3- Contractor to locate transformer in remote, accessible, well ventilated location.	Lamping by Manufacturer: 15W, 2700K Color Temperature integral LED E.E. to verify 120 volts.	N/A
KE2	OMITTED FROM THE PROJECT			
KE3	USA Illumination 7875-FINISH-325NC-VOLTAGE- 8177A-9157A Contact: N: Phil Thomas C: SDA T: (718) 361-9150 x213 E: phil@sda-lighting.com	Recess mounted adjustable MR16 round downlight with integral electronic transformer. Housing is aluminum and steel, nominally 10-5/8"W x 4-1/8"H x 12-1/2" L. Aperture is nominally 1-7/8" diameter, with 3-3/4" diameter trim. Fixture manufacturer to provide black hexcell louver and solite lens. Architect to verify exact finish. INSTALLATION NOTES: 1- Contractor to coordinate all accessories as required for proper mounting, wiring, and power feeds for a complete installation. 2- Contractor to coordinate fixture mounting with architectural detail drawings, manufacturer's installation requirements and field conditions.	Lamping by GE Lighting: (1) Q35MR16/C/SP20 (120V 35W 20°) E.E. to verify 120 volts.	Overlap Flange

Architectural Lighting Fixture Schedule

TYPE	MANUFACTURER AND CATALOG NUMBER	DESCRIPTIONS AND REMARKS	LAMP	TRIM
KE5	Bega 2095LED Contact: Tony Delaurentis International Lights t: 212.414.2803 m: 646.430.3792 e: tony@internationalights.com	<p>Recess mounted 2.2W LED (total system – 4.0W) with integral 0-10V dimmable electronic transformer. Housing is aluminum, nominally 3-3/16"W x 7-1/2" H x 4" D. Manufacturer to provide gel to bring color temperature of LED to 2700° color temperature or warmer, exact gel to be determined. Architect to specify finish.</p> <p>INSTALLATION NOTES:</p> <ol style="list-style-type: none"> Contractor to coordinate all accessories as required for proper mounting, wiring, and power feeds for a complete installation. Contractor to coordinate fixture mounting with architectural detail drawings, manufacturer's installation requirements and field conditions. 	Lamping by Manufacturer: 2.2W (4.0 total system watts), 3000K Color Temperature LED E.E. to verify 120 volts.	N/A
KE6	USA Illumination 7875-FINISH-325NC-VOLTAGE- 8177A-9157A Contact: N: Phil Thomas C: SDA T: (718) 361-9150 x213 M: (917) 449-4570 E: phil@sdaighting.com	<p>Recess mounted adjustable MR16 round downlight with integral electronic transformer. Housing is aluminum and steel, nominally 10-5/8"W x 4-1/8"H x 12-1/2" L. Aperture is nominally 1-7/8" diameter, with 3-3/4" diameter trim. Fixture manufacturer to provide black hexcell louver and solite lens. Architect to verify exact finish.</p> <p>INSTALLATION NOTES:</p> <ol style="list-style-type: none"> Contractor to coordinate all accessories as required for proper mounting, wiring, and power feeds for a complete installation. Contractor to coordinate fixture mounting with architectural detail drawings, manufacturer's installation requirements and field conditions. 	Lamping by GE Lighting: (1) Q35MR16/C/SP20 (120V 35W 20°) E.E. to verify 120 volts.	Overlap Flange

Architectural Lighting Fixture Schedule

TYPE	MANUFACTURER AND CATALOG NUMBER	DESCRIPTIONS AND REMARKS	LAMP	TRIM
KE7	<p>Custom Manufacturer / BK Lighting (2) DS-LED-e36-WFL-A9-FINISH-11-B-360SL (1) DECORATIVE SHROUD</p> <p>Accessories: Canopy Plate 360 SL – Horizontal Rotation Knuckle</p> <p>Remote Transformer: TR150-VOLTAGE</p> <p>Contact: N: Gerry Trollo C: Enterprise Lighting Sales 20 West 36th Street New York, NY 10018 T: (212) 343-1336 E: gtrollo@enterel.com</p>	<p>Surface mounted decorative shroud with (2) 8W directional LED bullets and remote magnetic transformer. LED bullets are aluminum, nominally 4-3/4" H x 2-1/4" diameter, with 2-1/4" adjustable knuckle. Manufacturer to provide canopy mount for recess mounted j-box, honeycomb louver, and 90° cap style. Architect to verify finish.</p> <p>MANUFACTURER OF DECORATIVE SHROUD TO PROVIDE SHOP DRAWING PRIOR TO FINAL FIXTURE APPROVAL.</p> <p>INSTALLATION NOTES: 1- Contractor to coordinate all accessories as required for proper mounting, wiring, and power feeds for a complete installation. 2- Contractor to coordinate fixture mounting with architectural detail drawings, manufacturer's installation requirements and field conditions. 3- Contractor to locate transformer in remote, accessible, and well ventilated location.</p>	<p>Lamping by Manufacturer: (2) 8W (16 Watt System Total), 2700K Color Temperature integral LEDs</p> <p>E.E. to verify 120 volts.</p>	N/A
KE8	<p>Vista Professional Outdoor Lighting GW-2172-SS-LAMP-HL</p> <p>Remote Transformer: ES-150</p> <p>Contact: N: Nathaniel Bliss C: Specification Lighting Sales, LLC T: (212) 736-3700 E: nathaniel@slsllg.com</p>	<p>Recessed in-grade MR16 halogen uplight with remote magnetic transformer. Fixture is glass-reinforced Rytan R4 composite and stainless steel, nominally 4-3/4" H x 5" Diameter. Fixture manufacturer to provide 25° tilt and 360° rotation. Architect to verify stainless steel finish.</p> <p>INSTALLATION NOTES: 1- Contractor to coordinate all accessories as required for proper mounting, wiring, and power feeds for a complete installation. 2- Contractor to coordinate fixture mounting with architectural detail drawings, manufacturer's installation requirements and field conditions. 3- Contractor to locate transformer in basement, in remote, accessible, well ventilated location.</p>	<p>Lamping by GE Lighting: (1) Q35MR16/C/SP20 (120V 35W 20°)</p> <p>E.E. to verify 120 volts.</p>	N/A

Architectural Lighting Fixture Schedule

TYPE	MANUFACTURER AND CATALOG NUMBER	DESCRIPTIONS AND REMARKS	LAMP	TRIM
KE9	BK Lighting DS-LED-e36-WFL-A9-FINISH-11-A-360SL Accessories: Canopy Plate 360 SL – Horizontal Rotation Knuckle Remote Transformer: TR300-VOLTAGE Contact: N: Gerry Trollo C: Enterprise Lighting Sales 20 West 36th Street New York, NY 10018 T: (212) 343-1336 E: gtrollo@enterrels.com	Surface mounted 8W directional LED bullet with dimmable remote magnetic transformer. LED bullets are aluminum, nominally 4-3/4" H x 2-1/4" diameter, with 2-1/4" adjustable knuckle. Manufacturer to provide canopy mount for recess mounted j-box, honeycomb louver, and 45° cap style. Architect to verify finish. INSTALLATION NOTES: 1- Contractor to coordinate replacement of existing fixtures and connection to power. Existing fixtures shall be removed and empty slots shall be covered with metal plate. New LED fixture shall be located per architectural drawings, contractor to coordinate exact mounting. 2- Contractor to coordinate all accessories as required for proper mounting, wiring, and power feeds for a complete installation. 3- Contractor to coordinate fixture mounting with architectural detail drawings, manufacturer's installation requirements and field conditions. 4- Contractor to locate transformer in remote, accessible, well ventilated location.	Lamping by Manufacturer: 8W, 2700K Color Temperature integral LEDs E.E. to verify 120 volts.	N/A
KE10	BK Lighting DE-LED-x21-SP-BLW-12 Remote Transformer: RM-D15(INC-120 Contact: N: Gerry Trollo C: Enterprise Lighting Sales 20 West 36th Street New York, NY 10018 T: (212) 343-1336 E: gtrollo@enterrels.com	Tree mounted 15W LED adjustable bullet with remote transformer dimmable via incandescent dimmers. Fixture is aluminum, nominally 7-3/16" H x 3" diameter, with 2-11/196" adjustable knuckle. Manufacturer to provide canopy mount for surface mounted j-box, soft focus lens, and 45° cap style. Architect to verify black finish. INSTALLATION NOTES: 1- Contractor to coordinate all accessories as required for proper mounting, wiring, and power feeds for a complete installation. 2- Contractor to coordinate fixture mounting with architectural detail drawings, manufacturer's installation requirements and field conditions. 3- Contractor to locate transformer in remote, accessible, well ventilated location.	Lamping by Manufacturer: 15W, 2700K Color Temperature integral LED E.E. to verify 120 volts.	N/A
KE11	OMITTED FROM PROJECT			
KE12	OMITTED FROM PROJECT			

Architectural Lighting Fixture Schedule

TYPE	MANUFACTURER AND CATALOG NUMBER	DESCRIPTIONS AND REMARKS	LAMP	TRIM
KE13	<p>Electrix L140W-05-Exact length by E.C- W2700K CUSTOM COLOR-60M (MODIFIED WITH FROSTED FILM BETWEEN LOUVER AND DIODES)-S</p> <p>Remote Transformers: (as required) PS96-W (non-dimmable)</p> <p>** Fixture mfg to allow for modified frosted lens**</p> <p>Contact: N: Nathaniel Bliss C: Specification Lighting Sales, LLC T: (212) 736-3700 E: nathaniel@slsiltg.com</p>	<p>Surface mounted linear 2700K LED strip modified with continuous frosted film between LED diodes and louver with remote dimmable 0-10V power supply. Housing is extruded aluminum, nominally 1-1/4" W 1-1/2" H x Length. Contractor to verify exact run lengths and order quantity as required per architectural drawing. Contractor to verify mounting installation with architectural details.</p> <p>Location: Exchange Canopy</p> <p>NOTES: 1 - FIXTURE MANUFACTURER TO PROVIDE SHOP DRAWING WITH EXACT RUN LENGTHS FOR REVIEW AND APPROVAL. 2 - ARCHITECT TO PROVIDE ARCHITECTURAL SHOP DRAWING TO KNLD FOR REVIEW AND APPROVAL. 3 - Manufacturer to ensure that LEDs are color matched to highest level of accuracy (+/- 200K). 4 - Luminaries can be wired in series up to maximum 16 FT. 5 - Contractor to coordinate feed location(s) with driver(s) and connection to power. Drivers shall be installed in remote, well-ventilated, and accessible locations; contractor and architect to coordinate. Distance between driver, power supply, and fixture must not exceed manufacturers' recommendations (Maximum remote distance is 32 FT). Quantity and locations of feed(s) and driver(s) to be determined by contractor. 6 - Contractor to determine required wire size between fixture and driver; refer to manufacturer's instructions and to assure that voltage drop does not exceed 5%. 7 - Remote dimming driver is requires a 0-10V control interface; to be provided by contractor. 8 - Contractor to order all electrical and mounting hardware required for a complete installation. 9 - Owners to review working fixture samples for final approval.</p>	<p>Lamping by Manufacturer: 5W / ft, 2700K Custom Color Temperature LED</p> <p>E.E to verify 120 voltage</p>	N/A

Architectural Lighting Fixture Schedule

TYPE	MANUFACTURER AND CATALOG NUMBER	DESCRIPTIONS AND REMARKS	LAMP	TRIM
EX1	RAB Lighting VX200/F22 Globe: GL100W Guard: GD100CL Contact: N: Jordan Podwal C: RAB Lighting T: (888)722-1000 E: jordan@rabweb.com	Ceiling j-box mounted compact fluorescent fixture. Globe is clear glass and housing and guard is diecast aluminum, nominally 10-3/4" H x 5-3/8" diameter. Manufacturer to provide medium base socket, rounded metal guard, and clear glass globe. Architect to verify finish. INSTALLATION NOTES: 1- Contractor to coordinate all accessories as required for proper mounting, wiring, and power feeds for a complete installation. 2- Contractor to coordinate fixture mounting with architectural detail drawings, manufacturer's installation requirements and field conditions.	Lamping by GE Lighting: (1) FLE20AG21/2/RVL/CD E.E. to verify 120 volts.	N/A



DENALI™ DE

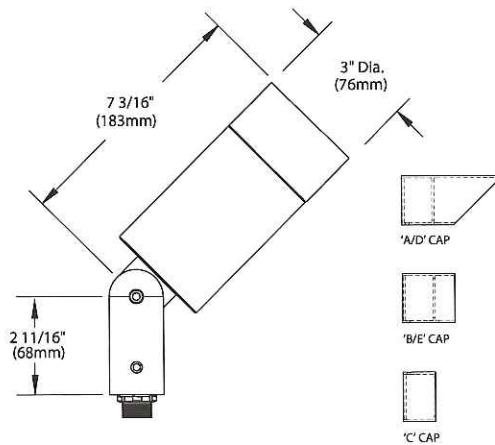
15 WATT, 25 WATT • 120V-277V

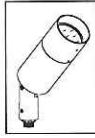
The Denali Series™ floodlight is a powerful, yet innovative solid-state lighting fixture designed to deliver higher lumen output and unprecedented color consistency. Incorporating our new 'X' technology, Denali™ Floodlight utilizes Patented "Color Corrected Cold Phosphor" technology to deliver near-perfect natural white light while maintaining 'lifetime' color consistency. It's universal design accommodates a variety of remote and integral driver mounting options.

Visit www.bklighting.com for ordering logic. Keyword DE-LED



Shown with 'C' Cap
in Bronze Wrinkle (BZW) finish

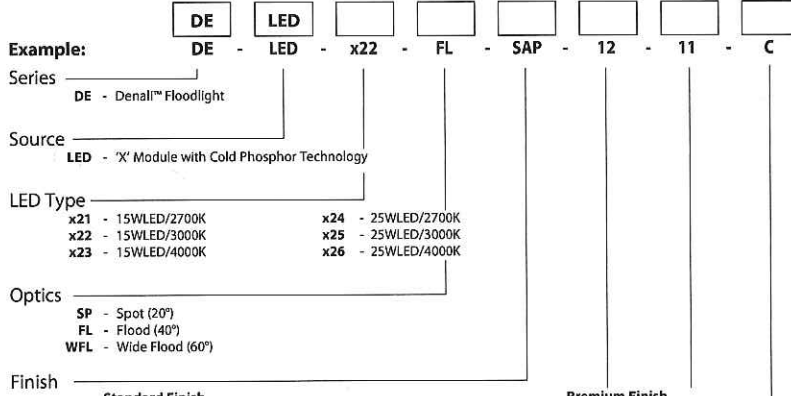




DENALI™ FLOODLIGHT

PROJECT:	
TYPE:	
CATALOG NUMBER:	
SOURCE:	
NOTES:	

CATALOG NUMBER LOGIC



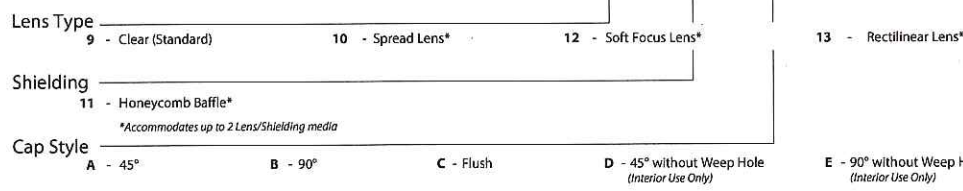
Configure Driver Housing Separately
Driver Housing Required

INTEGRAL DRIVER HOUSINGS:

- HP2 - HP2 Housing
- PM2 - Universal Power Module 2
- PM2D - Universal Power Module 2 Dual
- PC - Power Canopy
- PPH - Power Pipe II
- TMB - Pole Mount or Tenon Mount

REMOTE DRIVER HOUSINGS:

- HP2RM - HP2 Remote Housing
- PM2RM - Universal Power Module 2 Remote
- PM2DRM - Universal Power Module 2 Dual Remote
- RM - Remote Wall Mount
- DRM - Dual Remote Wall Mount



LM79 DATA

BK No.	CCT (Typ.)	CRI (Ra. Typ.)	Color Consistency	Input Watts (Typ.)
x21	2700K	>80	±40K	15
x22	3000K	>80	±50K	15
x23	4000K	>80	±70K	15
x24	2700K	>80	±40K	25
x25	3000K	>80	±50K	25
x26	4000K	>80	±70K	25

L70 DATA

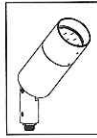
Minimum Rated Life (hrs.) 70% of initial lumens (L70)
50,000
50,000
50,000
50,000
50,000
50,000

OPTICAL DATA

Beam Type	Angle
Spot	20°
Flood	40°
Wide Flood	60°

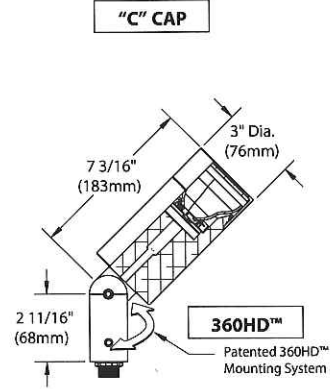
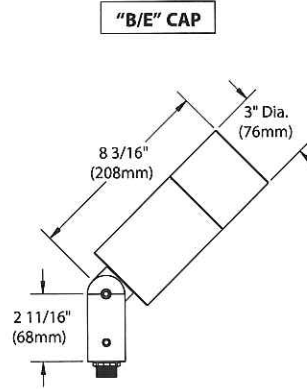
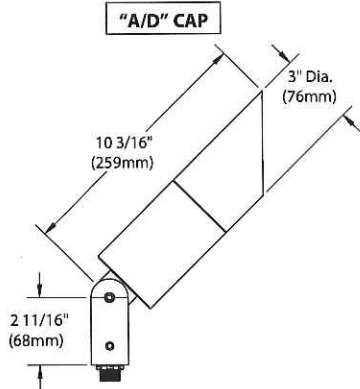
B-K LIGHTING	40429 Brickyard Drive • Madera, CA 93636 • USA	SUBMITTAL DATE	DRAWING NUMBER
	559.438.5800 • FAX 559.438.5900 www.bklighting.com • info@bklighting.com	3-12-12	SUB001113

THIS DOCUMENT CONTAINS PROPRIETARY INFORMATION OF B-K LIGHTING, INC. AND ITS RECEIPT OR POSSESSION DOES NOT CONVEY ANY RIGHTS TO REPRODUCE, DISCLOSE ITS CONTENTS, OR TO MANUFACTURE, USE OR SELL ANYTHING IT MAY DESCRIBE. REPRODUCTION, DISCLOSURE OR USE WITHOUT SPECIFIC WRITTEN AUTHORIZATION OF B-K LIGHTING, INC. IS STRICTLY FORBIDDEN.



DENALI™ FLOODLIGHT

PROJECT: _____
TYPE: _____

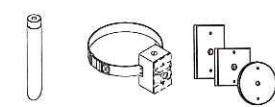


All dimensions indicated on this submittal are nominal.
Contact Technical Sales if you require more stringent specifications.

Accessories (Configure separately)

Drivers (Configure separately)

Mounting:



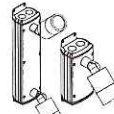
Power Pipe™ Tree Strap™ Canopies



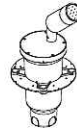
Power Canopy™



Power Pipe™



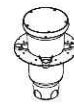
FM2D & FM2



HP2



TMB



HP2RM



PM2DRM & PM2RM



RM & DRM

SPECIFICATIONS

GreenSource Initiative™

Metal and packaging components are made from recycled materials. Manufactured using renewable solar energy, produced onsite. Returnable to manufacturer at end of life to ensure cradle-to-cradle handling. Packaging contains no chlorofluorocarbons (CFC's). Use of this product may qualify for GreenSource efficacy and recycling rebate(s). Consult www.bklighting.com/greensource for program requirements.

Materials

Furnished in Copper-Free Aluminum (Type 6061-T6).

Body

Fully machined from solid billet. Unibody design provides enclosed, water-proof wireway and integral heat sink for maximum component life. Integral knuckle for maximum mechanical strength. High temperature, silicone 'O' Ring provides water-tight seal.

Knuckle

Patented 360HD™ Mounting System features a mechanical taper-lock, which allows a full 180° vertical adjustment without the use of serrated teeth, which inherently limit aiming. High temperature, silicone 'O' Ring provides water-tight seal and compressive resistance to maintain fixture position. Design withstands 73 lb. static load prior to movement to ensure decades of optical alignment. 1/2" pipe thread for mounting. Biaxial source control additionally provides 360° horizontal rotation in addition to vertical adjustment. 'Aim-And-Lock' Technology allows precision adjustment without the redundant tightening and loosening of knuckle screw.

Cap

Fully machined. Accommodates [2] lens or louvre media. Choose from 45° cutoff ('A' or 'D'), 1" deep bezel with 90° cutoff ('B' or 'E') or flush lens ('C') cap styles. 'A' and 'B' caps include weep-hole for water and debris drainage. 'D' and 'E' caps exclude weep-hole and are for interior use only.

Lens

Shock resistant, tempered, glass lens is factory adhered to fixture cap and provides hermetically sealed optical compartment.

BKSSL™

Integrated solid state system with 'x' technology is scalable for field upgrade. Modular design with electrical quick disconnects permit field maintenance.

LM-80 certified. Minimum 50,000 hour rated life at 70% of initial lumens (L70). BKSSL technology provides long life, significant energy reduction and exceptional thermal management.

Color Management

Corrected cold phosphor technology delivers near-perfect natural white light. Long term phosphor maintenance over product life. Exact color point conformity exceeds ANSI C78.377 standard. Provides uniform beam with no color variation over angle. Module exceeds 80 CRI (RA>80, R9>16).

Remote Driver

For use with remote LED driver. See remote driver submittal to determine remote distance and wiring requirements prior to detailing field installation of any remote wiring.

Optics

Interchangeable OPTIKIT™ modules permit field changes to optical distribution.

Wiring

Teflon® coated, 18AWG, 600V, 250° C rated and certified to UL 1659 standard.

Hardware

Tamper-resistant, stainless steel hardware. 360HD™ hardware is additionally black oxide treated for additional corrosion resistance.

Finish

StarGuard®, our exclusive RoHs compliant, 15 stage chromate-free process cleans and conversion coats aluminum components prior to application of Class 'A' TGIC polyester powder coating.

Warranty

5 year limited warranty.

Certification and Listing

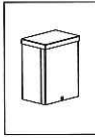
ITL tested to IESNA LM-79. Lighting Facts Registration per USDOE (www.lightingfacts.com). ETL Listed to ANSI/UL Standards 1598, 8750 and Certified to CAN/CSA Standard C22.2 No. 250. RoHs compliant. Suitable for indoor or outdoor use. Suitable for use in wet locations. Additionally suitable for installation within 4' of the ground. IP66 Rated. Made in USA.



*Teflon is a registered trademark of DuPont Corporation.
*Energy Star is a registered trademark of the United States Environmental Protection Agency.

B-K LIGHTING	40429 Brickyard Drive • Madera, CA 93636 • USA 559.438.5800 • FAX 559.438.5900 www.bklighting.com • info@bklighting.com	SUBMITTAL DATE	DRAWING NUMBER
		3-12-12	SUB001113

360HD Patent is covered in whole or in part by U.S. Patent No. 6,161,948



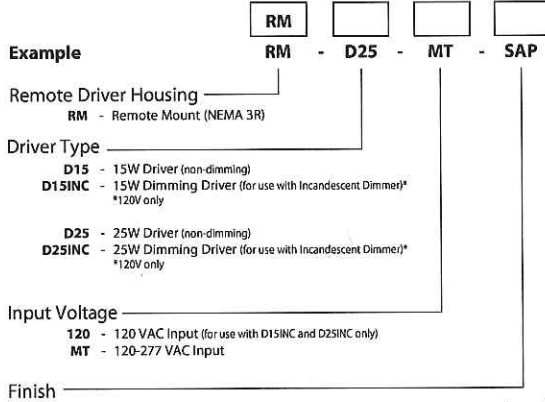
BKSSL
SOLID STATE LIGHTING
Constant Current Driver



NEMA 3R Remote Driver Housing

PROJECT:	
TYPE:	
CATALOG NUMBER:	
LAMP(S):	
NOTES:	

CATALOG NUMBER LOGIC



REMOTE WIRING

LED Driver
Remote driver installations require inter-connected wiring between the LED and driver (by others). Drivers have specific wiring requirements between these components. Driver manufacturers regularly recommend the following wiring details for such installations:

- Do not exceed 50 foot overall wiring distance using 12 gauge copper wire.

Failure to comply with specific wiring requirements will void product warranty.

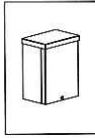
Standard Finish			Premium Finish	
Powder Coat Color	Satin	Wrinkle	ABP	MDS
Bronze	BZP	BZW	AMG	NBP
Black	BLP	BLW	AQW	OCF
White (Gloss)	WHP	WHW	BCM	RMG
Aluminum	SAP	—	BGE	SDS
Verde	—	VER	BPP	SMG
			CAP	TXF
			CMG	WCP
			CRI	WIR
			CRM	
			HUG	

DRIVER ELECTRICAL DATA

TYPE	AC INPUT RANGE	Frequency Hz	DIMMING	POWER FACTOR	THD	OPER. AMBIENT TEMPERATURE	DIMMER TYPE	DIMMER RANGE
D15	120/208/240/277	50/60	NO	>0.92	≤20%	-30° C ~ 50°C	—	—
D15INC	120	50/60	YES	>0.96	≤20%	-30° C ~ 60°C	Incandescent	10-100%
D25	120/208/240/277	50/60	NO	>0.92	≤20%	-30° C ~ 50°C	—	—
D25INC	120	50/60	YES	>0.96	≤20%	-30° C ~ 60°C	Incandescent	10-100%

B-K LIGHTING	40429 Brickyard Drive • Madera, CA 93636 • USA	SUBMITTAL DATE	DRAWING NUMBER
	559.438.5800 • FAX 559.438.5900 www.bklighting.com • info@bklighting.com	12-21-12	SUB001124

THIS DOCUMENT CONTAINS PROPRIETARY INFORMATION OF B-K LIGHTING, INC. AND ITS RECEIPT OR POSSESSION DOES NOT CONVEY ANY RIGHTS TO REPRODUCE, DISCLOSE ITS CONTENTS, OR TO MANUFACTURE, USE OR SELL ANYTHING IT MAY DESCRIBE. REPRODUCTION, DISCLOSURE OR USE WITHOUT SPECIFIC WRITTEN AUTHORIZATION OF B-K LIGHTING, INC. IS STRICTLY FORBIDDEN.



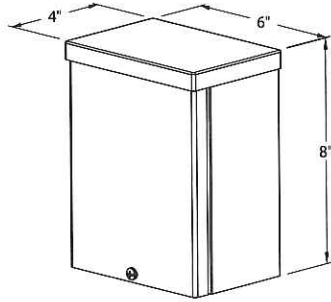
BKSSL
BROADWAY KUGLER NING
Constant Current Driver



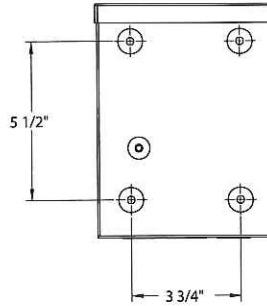
NEMA 3R Remote Driver Housing

PROJECT:	
TYPE:	

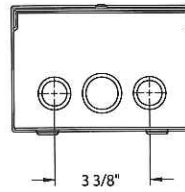
SIDE VIEW



BACK VIEW



END VIEW



SPECIFICATIONS

GreenSource Initiative™
Metal and packaging components are made from recycled materials. Manufactured using renewable solar energy, produced onsite. Returnable to manufacturer at end of life to ensure cradle-to-cradle handling. Packaging contains no chlorofluorocarbons (CFC's). Use of this product may qualify for GreenSource efficacy and recycling rebate(s). Consult www.bklighting.com/greensource for program requirements.

Installation
Nema 3R, surface mount design. For use with remote fixture (specified separately).

Housing
Steel construction with screw cover. Front access for ease of installation and inspection. [2] bottom entry, 3/4" conduit knockouts.

Wiring / Connectors
Teflon® coated wire, 18 gauge, 600V, 250°C rated and certified to UL1659 standard. Pre-wired and labeled terminal strip.

Driver
[1] 700mA, Class A, constant current driver. 120-277VAC (nominal) primary input voltage. 50/60Hz. >0.90 Power Factor, <15.0A in-rush current, ≤20%THD (nominal at 120VAC full load). Output over-voltage, over-current, and short circuit protection with auto recovery. EMC: FCC47CFR Part 15 Class B compliant.

Dimming driver for use with standard incandescent dimmers. 10-100% range.

Finish
StarGuard®, our exclusive RoHS compliant, 15 stage chromate-free process cleans and conversion coats aluminum components prior to application of Class 'A' TGIC polyester powder coating.

Warranty
5 year limited warranty.

Listings
NEMA 3R Enclosure. ETL Listed to ANSI/UL Standard 50/50E and Certified to CAN/CSA Standard C22.2 No. 94.1/94.2. RoHS compliant. Made in USA.



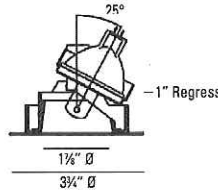
B-K LIGHTING	40429 Briekyard Drive • Madera, CA 93636 • USA 559.438.5800 • FAX 559.438.5900 www.bklighting.com • info@bklighting.com	SUBMITTAL DATE	DRAWING NUMBER
		12-21-12	SUB001124

Sliver Low Voltage Halogen

Adjustable



7857 7859 7875



For trimless application add 325CCR

LUMINAIRE INFORMATION

APPLICATION:

Accent luminaire for Residential, Commercial, Retail or Hospitality environments.

MATERIALS:

Trim: Die cast aluminum / steel. Torsion spring mounting.

Lens: Clear.

7857 - Chrome cone

7859 - White cone

7875 - Vertical groove black baffle

LAMP: (not included) When using IR lamps, 37W Max.

(1) 50W max. MR16 GU5.3

TRANSFORMER:

Low voltage solid state electronic.

Note: Due to transformer / dimmer match some dimmers may cause transformer hum. Check with dimmer manufacturer for suitability.

ADJUSTMENT:

360° horizontal and 25° vertical tilt.

40° tilt available, consult factory.

VOLTAGE:

Specify 120V or 277V.

CEILING CUT OUT:

3 3/8" Ø

LISTINGS:

Dry/damp location.

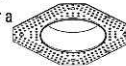


IC/Airtight housing meets Washington state airflow requirement and ASTM E283.

IBEW union made.

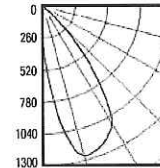
NOTES:

- Maximum ceiling thickness 1 inch. Consult factory for other ceiling conditions.
- Maximum 2 lens options (size A).
- Use 325CCR trimless adapter for a smooth flush Sliver installation.



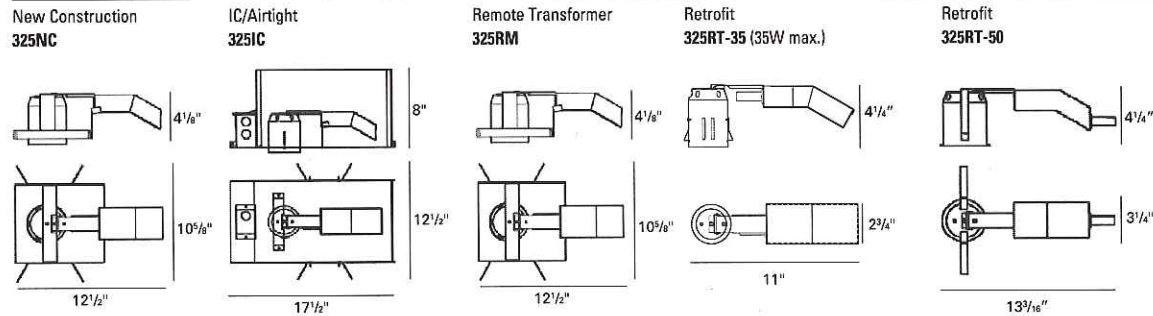
PHOTOMETRICS:

Distribution chart

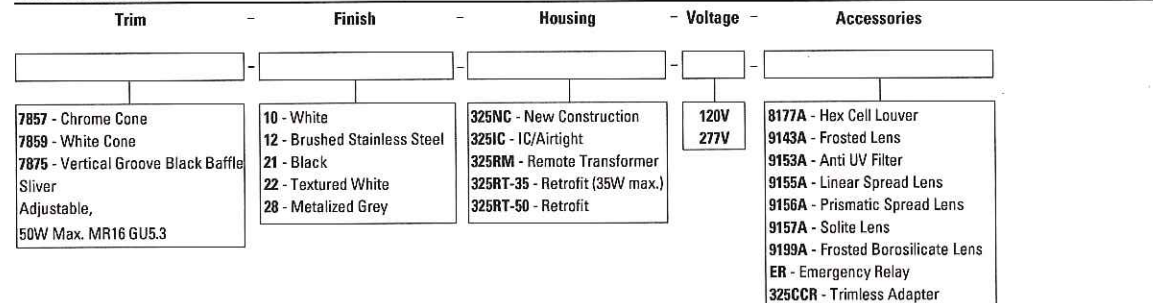


LTL No.: 13826 ies
50W MR16 GU5.3 40°
(tilted 25°)
Clear lens
58.8% Efficiency

HOUSING INFORMATION



HOW TO SPECIFY



www.usailighting.com
info@usailighting.com

1126 River Road
New Windsor, NY 12553

T 845-585-8500
F 845-561-1130

©2011, USAI, LLC.
All rights reserved.
All designs protected by copyright.
Revised 07/08/2011

Recessed wall luminaire

Housing: One piece die cast aluminum housing with integral wiring compartment.

Enclosure: One piece die cast aluminum faceplate, 1/8" thick, etched tempered glass lens. Faceplate is secured by four (4) flush, socket head, stainless steel, captive screws threaded into stainless steel inserts in the housing casting. Continuous high temperature O-ring gasket for weather tight operation.

Electrical: 10.1 W LED luminaire, 11.8 total system watts, -30° C start temperature. Integral 120V through 277V electronic LED driver, 0 -10V dimming available. The LED and driver are mounted on a removable plate for easy replacement. Standard LED color temperature is 3000K (available in 4000K; add suffix K4). Through Wiring: Maximum four (4) No. 12 AWG conductors (plus ground) suitable for 75° C. Provided with 1/2" NPT threaded conduit entries.

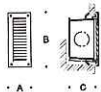
Note: Due to the dynamic nature of LED technology, LED luminaire data on this sheet is subject to change at the discretion of BEGA-US. For the most current technical data, please refer to www.bega-us.com.

Finish: These luminaires are available in four standard BEGA colors: Black (BLK); White (WHT); Bronze (BRZ); Silver (SLV). To specify, add appropriate suffix to catalog number. Custom colors supplied on special order.

UL listed, suitable for wet locations and for installation within 3 feet of ground. Type non-IC. Protection class: IP65.

Luminaire Lumens: 34
Tested in accordance with LM-79-08

Type:
BEGA Product #:
Project:
Voltage:
Color:
Options:
Modified:



	Lamps	A	B	C
2099LED ADA	10.1 W LED	4 7/8	13	4



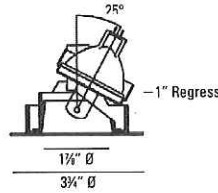
BEGA-US 1000 BEGA Way, Carpinteria, CA 93013 (805) 684-0533 FAX (805) 566-9474 www.bega-us.com
©copyright BEGA-US 2012 Updated 10/12

Sliver Low Voltage Halogen

Adjustable



7857 7859 7875



For trimless application add 325CCR

LUMINAIRE INFORMATION

APPLICATION:

Accent luminaire for Residential, Commercial, Retail or Hospitality environments.

MATERIALS:

Trim: Die cast aluminum / steel. Torsion spring mounting.

Lens: Clear.

7857 - Chrome cone

7859 - White cone

7875 - Vertical groove black baffle

LAMP: (not included) When using IR lamps, 37W Max.

(1) 50W max. MR16 GU5.3

TRANSFORMER:

Low voltage solid state electronic.

Note: Due to transformer / dimmer match some dimmers may cause transformer hum. Check with dimmer manufacturer for suitability.

ADJUSTMENT:

360° horizontal and 25° vertical tilt.

40° tilt available, consult factory.

VOLTAGE:

Specify 120V or 277V.

CEILING CUT OUT:

3 3/8" Ø

LISTINGS:

Dry/damp location.

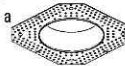


IC/Airtight housing meets Washington state airflow requirement and ASTM E283.

IBEW union made.

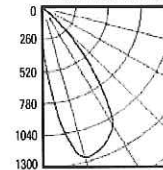
NOTES:

- Maximum ceiling thickness 1 inch. Consult factory for other ceiling conditions.
- Maximum 2 lens options (size A).
- Use 325CCR trimless adapter for a smooth flush Sliver installation.



PHOTOMETRICS:

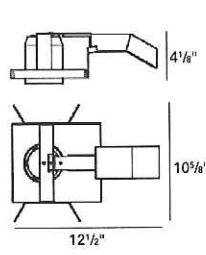
Distribution chart



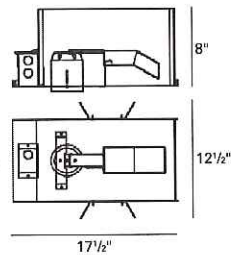
LTL No.: 13826.ies
50W MR16 GU5.3 40° (tilted 25°)
Clear lens
58.8% Efficiency

HOUSING INFORMATION

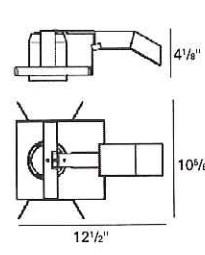
New Construction
325NC



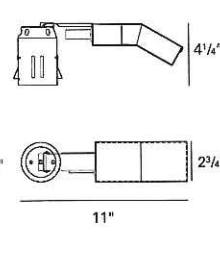
IC/Airtight
325IC



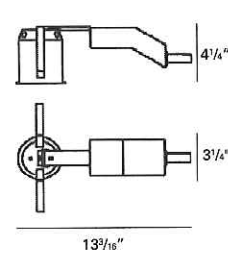
Remote Transformer
325RM



Retrofit
325RT-35 (35W max.)



Retrofit
325RT-50



HOW TO SPECIFY

Trim	Finish	Housing	Voltage	Accessories
<p>7857 - Chrome Cone 7859 - White Cone 7875 - Vertical Groove Black Baffle Sliver Adjustable, 50W Max. MR16 GU5.3</p>	<p>10 - White 12 - Brushed Stainless Steel 21 - Black 22 - Textured White 28 - Metalized Grey</p>	<p>325NC - New Construction 325IC - IC/Airtight 325RM - Remote Transformer 325RT-35 - Retrofit (35W max.) 325RT-50 - Retrofit</p>	<p>120V 277V</p>	<p>8177A - Hex Cell Louver 9143A - Frosted Lens 9153A - Anti UV Filter 9155A - Linear Spread Lens 9156A - Prismatic Spread Lens 9157A - Solite Lens 9199A - Frosted Borosilicate Lens ER - Emergency Relay 325CCR - Trimless Adapter</p>



www.usailighting.com
info@usailighting.com

1126 River Road
New Windsor, NY 12553

T 845-565-8500
F 845-561-1130

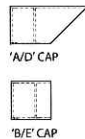
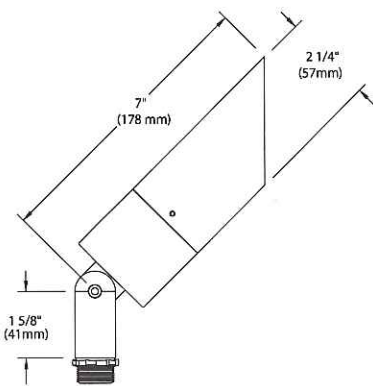
©2011, USAI, LLC.
All rights reserved.
All designs protected by copyright.
Revised 07/08/2011

8 WATT | **DS** DELTA STAR™

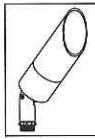
Sustainably manufactured from recycled copper-free aluminum, brass or stainless steel, Delta Star™ accentuates any architectural or landscape element. A one inch 45° or 90° lens cap minimizes glare and reduces aperture brightness. Delta Star™ operates on standard low voltage circuits. **Keyword DS**



Shown with 'A' Cap
in Black Wrinkle (BLW) finish



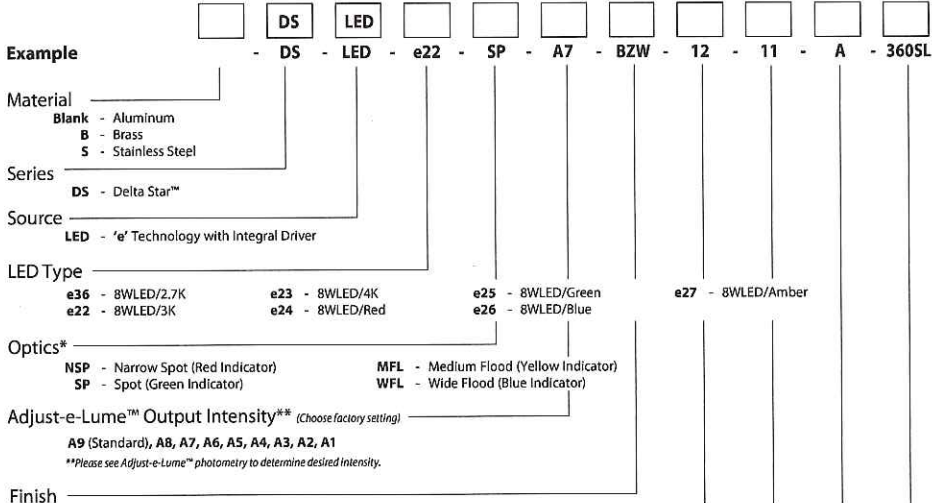
COMPONENT 2 : ADJUSTABLE LED LIGHT



DELTA STAR™

PROJECT:	
TYPE:	
CATALOG NUMBER:	
SOURCE:	
NOTES:	

CATALOG NUMBER LOGIC



Aluminum Finish			Brass Finish		Premium Finish		
Powder Coat Color	Satin	Wrinkle	Machined	MAC	ABP	CMG	RMG
Bronze	BZP	BZW	Polished	POL	AMG	CRI	SDS
Black	BLP	BLW	Mitique™	MIT	AQW	CRM	SMG
White (Gloss)	WHP	WHW	Stainless Finish		BCM	HUG	TXF
Aluminum	SAP	—	Machined	MAC	BGE	MDS	WCP
Verde	—	VER	Polished	POL	BPP	NBP	WIR
			Brushed	BRU <small>interior use only.</small>	CAP	OCP	<small>Also available in RAL Finishes See submittal SUB-1439-00</small>

Lens Type
12 - Soft Focus Lens
13 - Rectilinear Lens

Shielding
11 - Honeycomb Baffle

Cap Style
A - 45° B - 90° D - 45° less Weep Hole (Interior Use Only) E - 90° less Weep Hole (Interior Use Only)

Option
360SL - 360SL™ Rotational Knuckle Mounting System

LM79 DATA

BK No.	CCT (Typ.)	Input Watts (Typ.)	CRI (Typ.)
e36	2700K	8.4	90
e22	3100K	8.4	90
e23	4100K	8.4	75
e24	Red (627nm)	7.9	~
e25	Green (530nm)	8.4	~
e26	Blue (470nm)	8.4	~
e27	Amber (590nm)	7.9	~

L70 DATA

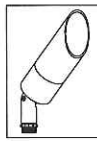
Minimum Rated Life (hrs.) 70% of initial lumens (L70)
50,000
50,000
50,000
50,000
50,000
50,000
50,000

***OPTICAL DATA**

Beam Type	Angle	Visual Indicator
Narrow Spot	14°	Red Dot
Spot	18°	Green Dot
Medium Flood	25°	Yellow Dot
Wide Flood	36°	Blue Dot

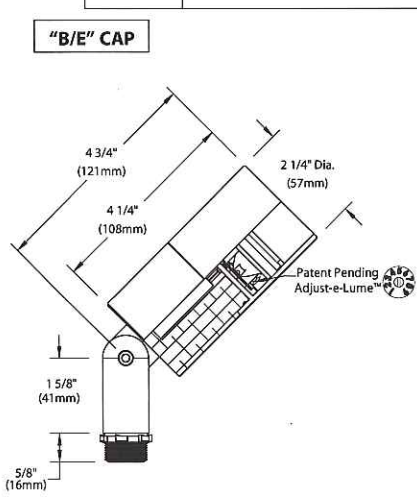
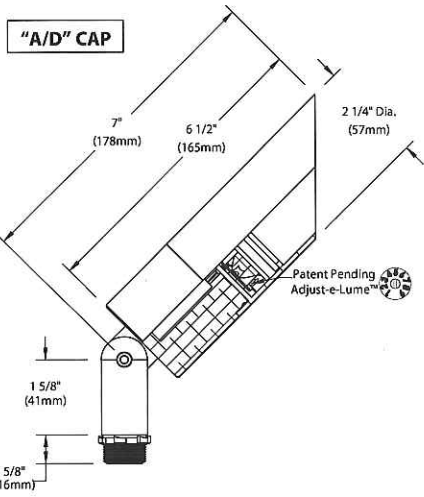
B-K LIGHTING	40429 Brickyard Drive • Madera, CA 93636 • USA 559.438.5800 • FAX 559.438.5900 www.bklighting.com • info@bklighting.com	SUBMITTAL DATE 12-13-11	DRAWING NUMBER SUB000930
---------------------	---	----------------------------	-----------------------------

THIS DOCUMENT CONTAINS PROPRIETARY INFORMATION OF B-K LIGHTING, INC. AND ITS RECEIPT OR POSSESSION DOES NOT CONVEY ANY RIGHTS TO REPRODUCE, DISCLOSE ITS CONTENTS, OR TO MANUFACTURE, USE OR SELL ANYTHING IT MAY DESCRIBE. REPRODUCTION, DISCLOSURE OR USE WITHOUT SPECIFIC WRITTEN AUTHORIZATION OF B-K LIGHTING, INC. IS STRICTLY FORBIDDEN.



DELTA STAR™

PROJECT:	
TYPE:	



360 SL™

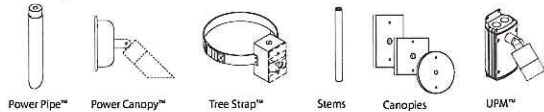
Accessories (Configure separately)

All dimensions indicated on this submittal are nominal. Contact Technical Sales if you require more stringent specifications.

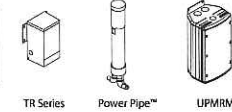


Horizontal Rotation
(Optional 360SL™ Knuckle)

Mounting:



Remote Transformers:



SPECIFICATIONS

GreenSource Initiative™
Metal and packaging components are made from recycled materials. Manufactured using renewable solar energy, produced onsite. Returnable to manufacturer at end of life to ensure cradle-to-cradle handling. Packaging contains no chlorofluorocarbons (CFC's). Use of this product may qualify for GreenSource efficacy and recycling rebate(s). Consult www.bklighting.com/greensource for program requirements.

Materials
Furnished in Copper-Free Aluminum (Type 6061-T6), Brass (Type 360) or Stainless Steel (Type 304).

Body
Fully machined from solid billet. Unibody design provides enclosed, water-proof wireway and integral heat sink for maximum component life. Integral knuckle for maximum mechanical strength. High temperature, silicone 'O' Ring provides water-tight seal.

Knuckle
The LOCK™ (Locking 'O' Ring Compression Knuckle) is comprised of two components. The first is integral to the body and features an interior, machined taper. The second is machined from solid billet and features a second, reverse angle taper. The resultant mechanical taper-lock allows a full 180° vertical adjustment without the use of serrated teeth, which inherently limit aiming. High temperature, silicone 'O' Ring provides water-tight seal and compressive resistance to maintain fixture position. Design withstands 73 lb. static load prior to movement to ensure decades of optical alignment. 1/2" pipe thread for mounting.

Optional 360SL™ additionally provides biaxial source control with 360° horizontal rotation in addition to vertical adjustment.

Cap
Fully machined. Accommodates [1] lens or louvre media. Choose from 45° cutoff ('A' or 'D'), or 1" deep bezel with 90° cutoff ('B' or 'E') cap styles. 'A' and 'B' caps include weep-hole for water and debris drainage. 'D' and 'E' caps exclude weep-hole and are for interior use only.

Lens
Shock resistant, tempered, glass lens is factory adhered to fixture cap and provides hermetically sealed optical compartment. Specify soft focus (#12) or rectilinear (#13) lens.

BKSSL™
Integrated solid state system with 'e' technology is scalable for field upgrade. Modular design with electrical quick disconnects permit field maintenance. High power, forward throw source complies with ANSI C78.377 binning requirements. Exceeds ENERGY STAR® lumen maintenance requirements. LM-80 certified components.

Integral non-dimming driver. Minimum 50,000 hour rated life at 70% of initial lumens (L70). BKSSL technology provides long life, significant energy reduction and exceptional thermal management.

Adjust-e-Lume™ (Pat. Pending)
Integral electronics allows dynamic lumen response at the individual fixture. Indexed (100% to 25% nom.) lumen output. Maintains output at desired level or may be changed as conditions require. Specify factory preset output intensity.

Optics
Interchangeable OPTIKIT™ modules permit field changes to optical distribution. Color-coded for easy reference: Narrow Spot (NSP) = Red. Spot (SP) = Green. Medium Flood (MFL) = Yellow. Wide Flood = Blue.

Remote Transformer
For use with 12VAC BKSSL™ remote transformer.

Wiring
Teflon® coated, 18AWG, 600V, 250° C rated and certified to UL 1659 standard.

Hardware
Tamper-resistant, stainless steel hardware. LOCK™ aiming screw is additionally black oxide treated for additional corrosion resistance.

Finish
StarGuard® (Pat. Pend.), a RoHS compliant, 15 stage chromate-free process cleans and conversion coats aluminum components prior to application of Class 'A' TGIC polyester powder coating. Brass components are available in powder coat or handcrafted metal finish. Stainless steel components are available in handcrafted metal finish. (Brushed finish for interior use only).

Warranty
5 year limited warranty.

Certification and Listing
ITL tested to IESNA LM-79. Lighting Facts Registration per USDOE (www.lightingfacts.com). ETL Listed to ANSI/UL Standard 1838 and UL Standard 8750. Certified to CAN/CSA Standard C22.2 No. 9, CSA TIL B-58B. RoHS compliant. Suitable for indoor or outdoor use. Suitable for use in wet locations. Suitable for installation within 4' of the ground. IP66 Rated. Made in USA.



*Teflon is a registered trademark of DuPont Corporation.
*Energy Star is a registered trademark of the United States Environmental Protection Agency.

B-K LIGHTING

40429 Brickyard Drive • Madera, CA 93636 • USA
559.438.5800 • FAX 559.438.5900
www.bklighting.com • info@bklighting.com

SUBMITTAL DATE
12-13-11

DRAWING NUMBER
SUB000930

adjust-e-lume™
TECHNOLOGY

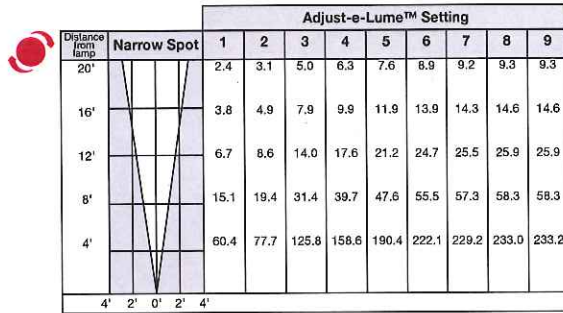
Photometry for use with e36

2.7K

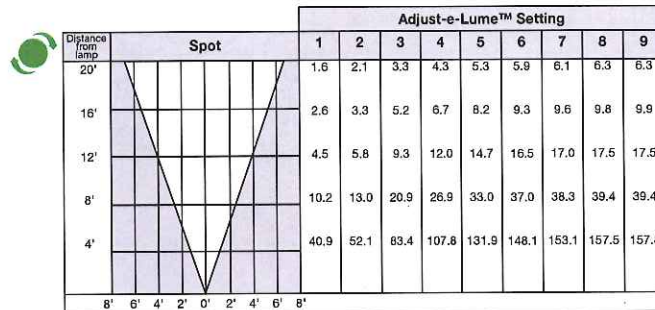
Select OptiKit™ for desired distribution

- **RED** Narrow Spot (NSP)
- **GREEN** Spot (SP)
- **YELLOW** Medium Flood (MFL)
- **BLUE** Wide Flood (WFL)

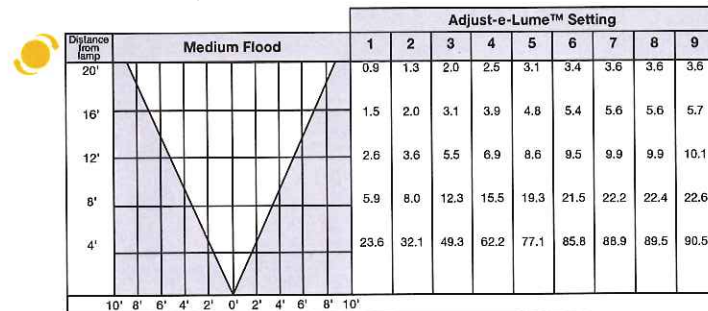
Set adjust-e-lume™ Dial to desired output



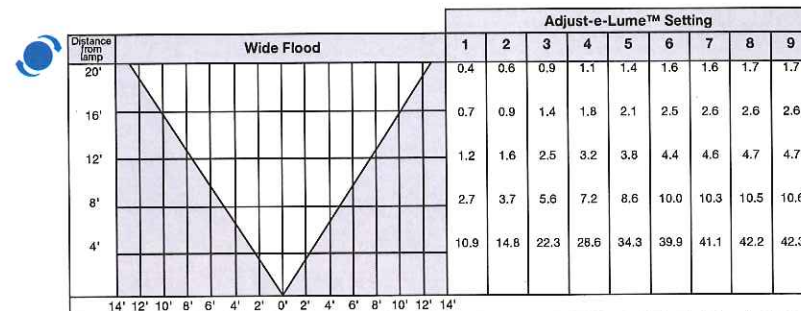
Note: If using No. 11 honeycomb baffle multiply footcandle values by .80



Note: If using No. 11 honeycomb baffle multiply footcandle values by .80



Note: If using No. 11 honeycomb baffle multiply footcandle values by .80



Note: If using No. 11 honeycomb baffle multiply footcandle values by .80

B-K LIGHTING

40429 Brickyard Drive • Madera, California 93636 • 559.438.5800
www.bklighting.com • www.adjust-e-lume.com • www.bkssl.com

Delta Star - Spot

lighting facts^{CM}
A Program of the U.S. DOE

Light Output (Lumens)	253
Watts	8.2
Lumens per Watt (Efficacy)	30

Color Accuracy Color Rendering Index (CRI)	83
---	----

Light Color
Correlated Color Temperature (CCT) **3182 (Bright White)**

2700K 3000K 4500K 6500K

All results are according to IESNA LM-79-2008, Approved Method for the Electrical and Photometric Testing of Solid-State Lighting. The U.S. Department of Energy (DOE) verifies product test data and results.

Visit www.lightingfacts.com for the Label Reference Guide.

Registration Number: GCXV-1J02AQ
Model Number: DS-LED-e23-SP-12
Type: Other

Delta Star - Spot

lighting facts^{CM}
A Program of the U.S. DOE

Light Output (Lumens)	354
Watts	8.1
Lumens per Watt (Efficacy)	43

Color Accuracy Color Rendering Index (CRI)	68
---	----

Light Color
Correlated Color Temperature (CCT) **4080 (Bright White)**

2700K 3000K 4500K 6500K

All results are according to IESNA LM-79-2008, Approved Method for the Electrical and Photometric Testing of Solid-State Lighting. The U.S. Department of Energy (DOE) verifies product test data and results.

Visit www.lightingfacts.com for the Label Reference Guide.

Registration Number: GCXV-W02NJC
Model Number: DS-LED-e23-SP-12
Type: Other

Delta Star - N. Spot

lighting facts^{CM}
A Program of the U.S. DOE

Light Output (Lumens)	365
Watts	8.2
Lumens per Watt (Efficacy)	44

Color Accuracy Color Rendering Index (CRI)	68
---	----

Light Color
Correlated Color Temperature (CCT) **4102 (Bright White)**

2700K 3000K 4500K 6500K

All results are according to IESNA LM-79-2008, Approved Method for the Electrical and Photometric Testing of Solid-State Lighting. The U.S. Department of Energy (DOE) verifies product test data and results.

Visit www.lightingfacts.com for the Label Reference Guide.

Registration Number: GCXV-5Y65SH
Model Number: DS-LED-e23-NSP-12
Type: Other

Delta Star - Rectilinear

lighting facts^{CM}
A Program of the U.S. DOE

Light Output (Lumens)	299
Watts	8.5
Lumens per Watt (Efficacy)	35

Color Accuracy Color Rendering Index (CRI)	66
---	----

Light Color
Correlated Color Temperature (CCT) **4022 (Bright White)**

2700K 3000K 4500K 6500K

All results are according to IESNA LM-79-2008, Approved Method for the Electrical and Photometric Testing of Solid-State Lighting. The U.S. Department of Energy (DOE) verifies product test data and results.

Visit www.lightingfacts.com for the Label Reference Guide.

Registration Number: GCXV-4DFT4T
Model Number: DS-LED-e23-MFL-13
Type: Other

Delta Star - M. Flood

lighting facts^{CM}
A Program of the U.S. DOE

Light Output (Lumens)	346
Watts	8.2
Lumens per Watt (Efficacy)	42

Color Accuracy Color Rendering Index (CRI)	68
---	----

Light Color
Correlated Color Temperature (CCT) **4047 (Bright White)**

2700K 3000K 4500K 6500K

All results are according to IESNA LM-79-2008, Approved Method for the Electrical and Photometric Testing of Solid-State Lighting. The U.S. Department of Energy (DOE) verifies product test data and results.

Visit www.lightingfacts.com for the Label Reference Guide.

Registration Number: GCXV-KB33F8
Model Number: DS-LED-e23-MFL-12
Type: Other

Delta Star - W. Flood

lighting facts^{CM}
A Program of the U.S. DOE

Light Output (Lumens)	345
Watts	8.3
Lumens per Watt (Efficacy)	41

Color Accuracy Color Rendering Index (CRI)	67
---	----

Light Color
Correlated Color Temperature (CCT) **3981 (Bright White)**

2700K 3000K 4500K 6500K

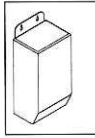
All results are according to IESNA LM-79-2008, Approved Method for the Electrical and Photometric Testing of Solid-State Lighting. The U.S. Department of Energy (DOE) verifies product test data and results.

Visit www.lightingfacts.com for the Label Reference Guide.

Registration Number: GCXV-X8D75X
Model Number: DS-LED-e23-WFL-12
Type: Other



COMPONENT 1 : METAL SHROUD

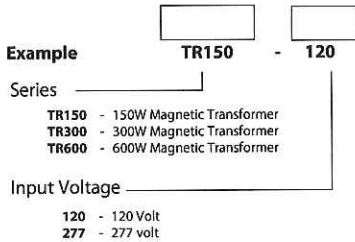


Magnetic Transformer

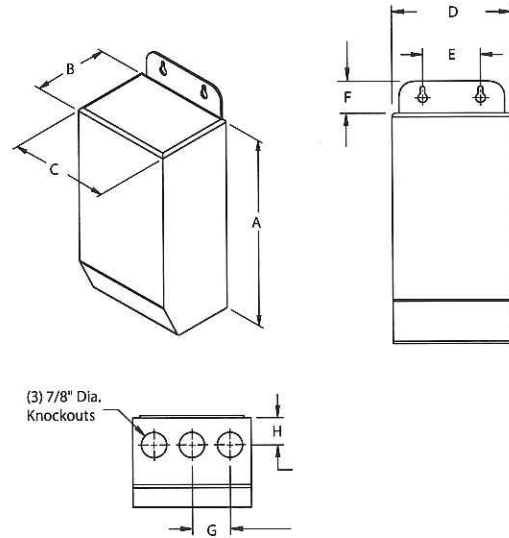
TR SERIES

PROJECT:	
TYPE:	
CATALOG NUMBER:	
SOURCE:	
NOTES:	

CATALOG NUMBER LOGIC



DIMENSIONS



TRANSFORMER DATA

Series	Input Voltage	Max. Load	Weight	Height A	Depth B	C	D	E	F	G	H
TR150	120V	150W	6 lbs.	8"	3-3/32"	4-3/32"	5-1/2"	4-1/8"	1-1/8"	1-5/16"	15/16"
TR300	120V	300W	7.13 lbs.	8"	3-3/32"	4-3/32"	5-1/2"	4-1/8"	1-1/8"	1-5/16"	15/16"
TR600	120V	600W	14.9 lbs.	9-13/32"	4-3/32"	4-19/32"	5-3/4"	4-5/8"	1-1/16"	1-1/2"	1-1/4"
TR150	277V	150W	6 lbs.	8"	3-3/32"	4-3/32"	5-1/2"	4-1/8"	1-1/8"	1-5/16"	15/16"
TR300	277V	300W	7.13 lbs.	8"	3-3/32"	4-3/32"	5-1/2"	4-1/8"	1-1/8"	1-5/16"	15/16"
TR600	277V	600W	14.9 lbs.	9-13/32"	4-3/32"	4-19/32"	5-3/4"	4-5/8"	1-1/16"	1-1/2"	1-1/4"

SPECIFICATIONS

Housing
Stainless steel, NEMA Outdoor 3R rated enclosure. [3] bottom entry 1/2" knockouts provide access to wiring compartment. Riveted, hinged cover opens vertically from bottom to top for service access.

Transformer
Fully encapsulated, 150VA, 300VA, and 600VA Class B insulated, low voltage magnetic transformer. 120VAC or 277VAC input. 12VAC output (fully loaded). 0.6A (120VAC) or 0.3A (277VAC) maximum no load input current. Manual thermal reset. 25A secondary circuit breaker. Enclosure temperature <65° C when fully loaded (in 40° C ambient).

For use with halogen and **BISSAL** products. Fully dimmable with halogen loads utilizing magnetic low voltage dimmers.

Fpr output Wiring
See B-K Lighting Low Voltage Design Guide.

Warranty
Limited five year warranty.

Certification and Listings
Nema Type 3R Enclosure. Suitable for indoor and outdoor use. UL Listed to ANSI/UL Standard 1012.



B-K LIGHTING	40429 Brickyard Drive • Madera, CA 93636 • USA 559.438.5800 • FAX 559.438.5900 www.bklighting.com • info@bklighting.com	SUBMITTAL DATE	SUBMITTAL NUMBER
		11-15-12	TR-SERIES

THIS DOCUMENT CONTAINS PROPRIETARY INFORMATION OF B-K LIGHTING, INC. AND ITS RECEIPT OR POSSESSION DOES NOT CONVEY ANY RIGHTS TO REPRODUCE, DISCLOSE ITS CONTENTS, OR TO MANUFACTURE, USE OR SELL ANYTHING IT MAY DESCRIBE. REPRODUCTION, DISCLOSURE OR USE WITHOUT SPECIFIC WRITTEN AUTHORIZATION OF B-K LIGHTING, INC. IS STRICTLY FORBIDDEN.

Low Voltage Guide

Many B-K LIGHTING fixtures operate on 12 volts. Taking advantage of these energy-saving fixtures requires appropriate care in planning the electrical wiring system. To maintain expected lamp performance, we recommend the following procedures in sizing your low-voltage wiring system.

SIZING OF LOW VOLTAGE WIRING

1. Locate and plot fixtures on plan. Choose the lighting equipment necessary to create the desired lighting effects. Mark lamp wattage for each fixture location.
2. Identify potential transformer locations. The ideal locations are those which provide for the shortest possible low voltage distances (inconspicuous areas, behind rocks, shrubbery, etc., within the landscape). UPM, Power Pipe™, Power Pipe II™, or, if available, transformers integral in the fixture are good ways to hide the transformer and reduce voltage drop problems.
3. Add the total wattage for the proposed low voltage run. Measure the wire lengths from the transformer to the fixture locations. Find the distance to the "CENTER OF LOAD" of the low voltage run.

$$\text{CENTER OF LOAD} = \frac{\text{Distance from first to last fixture}}{(2) \text{ Two}} + \text{Distance from transformer to first fixture}$$

4. Using the B-K LIGHTING Wire Selection Table, select the wattage column which applies. Look down the column stopping at a distance, in feet, that is equal or greater than the "CENTER OF LOAD" distance. Look across to find the proper wire size for your layout.

Note: In the event of multiple runs from a given transformer, treat each run separately.

12-VOLT WIRE SELECTION TABLE

WIRE SIZE	TOTAL WATTAGE																
	12	20	24	35	40	50	60	70	80	100	105	120	140	150	160	200	250
12	178	106	89	60	53	42	35	30	26	21	20	17	15	13	—	—	—
10	283	169	141	96	85	67	56	48	42	33	32	28	24	22	19	17	13
8	450	269	225	154	135	107	90	77	67	54	51	45	38	36	31	27	21
6	715	428	357	245	214	171	143	122	107	85	81	71	61	57	49	42	34

CENTER OF LOAD WIRING DISTANCES IN FEET

The Wire Selection Table provided is based on a maximum allowable voltage drop of 5%. Electrical designs which allow greater than 5% voltage drop, reduce rated light output beyond acceptable levels.

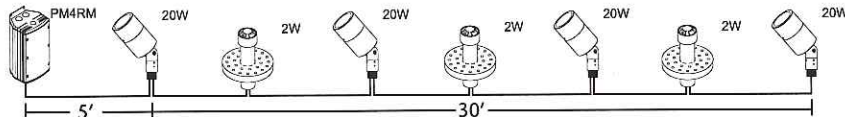
The importance of the proper wire selection is demonstrated below. Both examples have the same total watts and identical overall lengths of wire run, yet require different wire sizes, or multiple wire runs, to operate within the 5% maximum voltage drop B-K LIGHTING criteria.

EXAMPLE:

Total wattage:
(20w x 4) + (2w x 3) = 86 watts

CENTER OF LOAD:
 $(\frac{30'}{2}) + 5' = 20'$

SINGLE WIRE RUN:
12 gauge

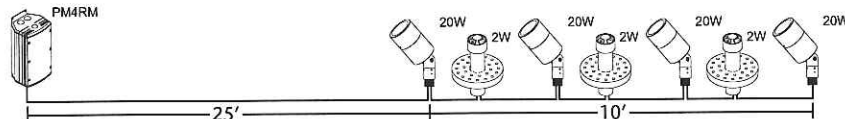


EXAMPLE:

Total wattage:
(20w x 4) + (2w x 3) = 86 watts

CENTER OF LOAD:
 $(\frac{10'}{2}) + 25' = 30'$

SINGLE WIRE RUN:
10 gauge



TRANSFORMERS

For areas which are far reaching from fixtures, running 120 volt power to each fixture location with individual transformers, such as TRSS75 or TRSS150, provides an excellent economic solution to voltage drop. These transformers can also be specified in the UPM, Power Pipe™, and Power Pipe II™ transformer housings.

Note: Installations should be in accordance with the National Electric Code and applicable local codes.





SPECIFICATION SHEET

Type: _____
Model: _____
Project: _____

MODEL: 2172 - Brass & Copper Series: In-Ground and Well Lights

SPECIFICATIONS:

HOUSING:

Injection-molded, glass-reinforced Ryton™ R4 composite for strength & high UV stability – warranted for ten years against corrosion.

LENS COVER:

Precision CNC machined solid brass or solid stainless steel fitted to the housing with a silicone o-ring gasket – providing a superior weather-tight seal.

FINISH:

Natural Brass, Olde Brass, Natural Copper or Stainless Steel lens cover. Housing available in black only.

SOCKET/LAMP HOLDER:

Top grade ceramic socket with nickel contacts, stainless steel springs, & Teflon-jacketed wire leads.

LENS:

Clear, tempered, shock & heat-resistant, soda-lime glass lens- crowned (convex) to promote water runoff. Optical effect lenses are available; see accessories column on fixture ordering information chart.

LAMP TYPE:

MR-16 Halogen – 50W maximum. LN-20 BAB/FG (20W) Standard.

(See back page for LED lamp specifications)

OPTICS/AIMING:

Adjustable lamp bracket (not available with LED) provides up to ±25° of tilt as well as 360° rotation of the housing for

precise beam control. Lamp bracket can be locked into place to prevent disrupting lamp position when relamping. Models with housing brackets within the ABS wells provide up to ±45° of tilt in addition to the lamp bracket.

MOUNTING:

In-grade. Conduit mount fixtures have two ¾" NPT inlets on the bottom. Optional concrete mounting kit available; please see accessories column on fixture ordering information chart.

FASTENERS/INSERTS:

All fasteners are stainless steel with brass inserts.

WIRING:

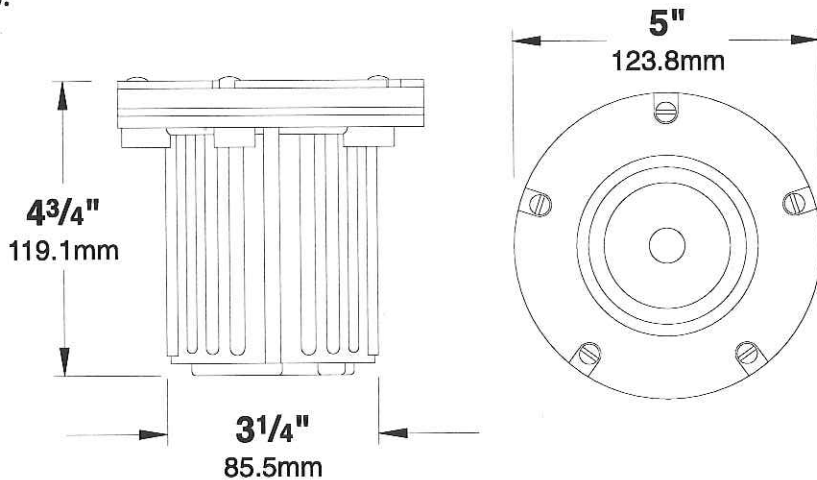
Prewired with a three-foot pigtail of 18-2 direct-burial cable & underground connectors for a secure connection to the supply cable.

CERTIFICATION:

UL Listed to U.S. & Canadian safety standards for low voltage landscape luminaires (UL 1838). The maximum wattages allowed by Underwriters Laboratories (UL) for the U.S. & Canadian markets may vary. Maximum wattages specified are Underwriters Laboratories U.S. standard. Please contact Vista for any questions about the maximum wattages allowed by UL Canadian standards.

All Vista luminaires are **MADE IN THE U.S.A.**

DIMENSIONS:



Vista Professional Outdoor Lighting reserves the right to modify the design and/or construction of the fixture shown without further notification.

1625 Surveyor Avenue • Simi Valley, CA 93063 • (805) 527-0987 • (800) 766-VISTA (8478)
FAX: (888) 670-VISTA (8478) • email@vistapro.com • www.vistapro.com

2172 (9/09)



SPECIFICATION SHEET

LED LAMP SPECIFICATIONS (if applicable) :

LAMP TYPE:

Lumiled Rebel High Output LED with Vista exclusive smart-driver, powered to operate for 50,000 hours.

OPTICS:

Integral high-efficiency optics available in spot through flood beam spreads.

ELECTRICAL:

Input voltage range 5-15V AC, regulated to achieve uniform illumination throughout the cable run of fixtures. Integral surge & reverse polarity protection.

FIXTURE ORDERING INFORMATION

TO ORDER FIXTURE: Select appropriate choice from each column as in the following example

EXAMPLE: GW-2172-CSN-BAB-HL

MOUNTING	CATALOG NO.	FINISH	LAMP	ACCESSORIES
GW- In-grade CM- In-grade conduit mount	2172	BSN - Solid Natural Brass BSO - Olde Brass CSN - Natural Copper SS - Stainless Steel	(Please see lamp order code column on lamp guide, Vista product catalog.)	CBL - Crowned Cool Blue lens CFR - Crowned Frosted lens SL - Flat Spread lens DBL - Flat Dark Blue lens GL - Flat Dark Green lens RL - Flat Red lens YL - Flat Amber lens HL - Honeycomb louver JBCP-150 - Concrete mounting kit

Fixtures shipped with standard lamp, unless otherwise specified.
 Fixtures shipped with specified mounting hardware.

Vista Professional Outdoor Lighting reserves the right to modify the design and/or construction of the fixture shown without further notification.

1625 Surveyor Avenue • Simi Valley, CA 93063 • (805) 527-0987 • (800) 766-VISTA (8478)
 FAX: (888) 670-VISTA (8478) • email@vistapro.com • www.vistapro.com



SPECIFICATION SHEET

Type: _____
Model: _____
Project: _____

ES-150 – *Stainless Steel Transformer*

SPECIFICATIONS:

EXTERIOR CONSTRUCTION:

20-gauge polished, top-grade domestic, 304 stainless steel.

FINISH:

Polished stainless steel with Smudge-Free clear powder-coat. Also, polyester powder-coat finish available in Black, Verde, Architectural Brick, Architectural Bronze, Light Bronze, Dark Bronze, Granite, Pewter, Terra-cotta, Rust, Hunter Green, Mocha, Weathered Bronze, Weathered Iron, and White.

TRANSFORMER CHARACTERISTICS:

Available Power Rating: 150 Watts

Primary Voltage: 120 Volts (Also available in 240V, 50 or 60 cycle-Special order only.)

Secondary Voltage: 12 and 15 Volts

Fully grounded and isolated with encapsulated core and coil.

PRIMARY PROTECTION:

Auto thermal shut-off.

SECONDARY PROTECTION:

Resettable high performance magnetic circuit breaker.

TERMINALS:

Extra-large terminal strip for multiple low voltage cable connections as well as extended wire leads for alternative wiring techniques.

Extended wire leads are color coated for easy identification of voltage taps. A separate 120-volt terminal strip for easy hard-wiring and an accessory terminal strip for easy installation of external switching devices also included.

WIRING:

6-foot, heavy-gauge, grounded, water-resistant power cord with integrally molded plug.

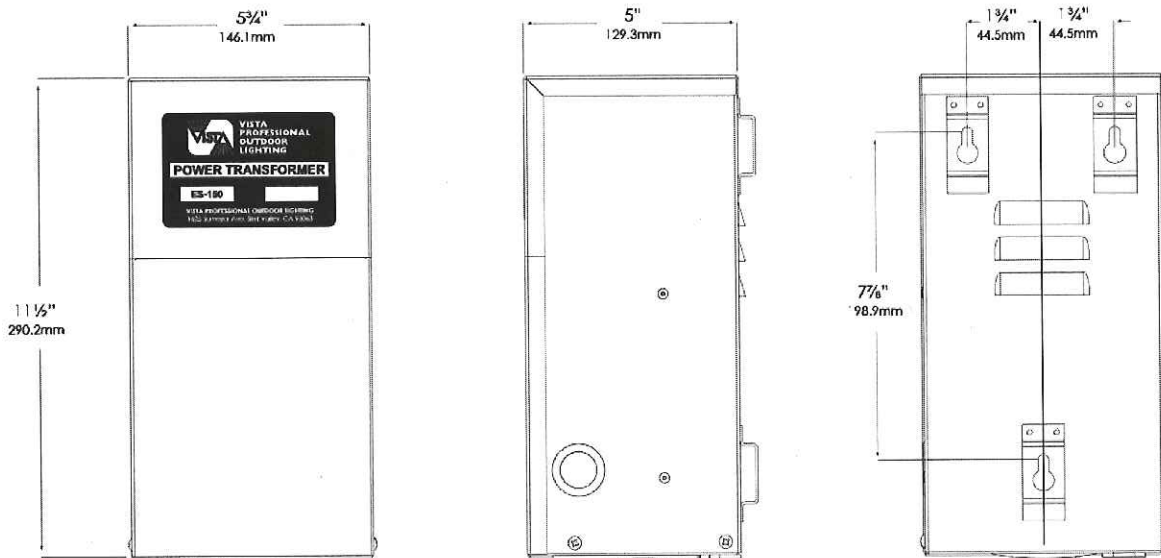
CERTIFICATION:

UL Listed to U.S. safety standards for general purpose transformers (UL 1838).

All Vista transformers are **MADE IN THE U.S.A.**



DIMENSIONS:



Vista Professional Outdoor Lighting reserves the right to modify the design and/or construction of the transformer shown without further notification.

1625 Surveyor Avenue • Simi Valley, CA 93063 • (805) 527-0987 • (800) 766-VISTA (8478)
FAX: (888) 670-VISTA (8478) • email@vistapro.com • www.vistapro.com



SPECIFICATION SHEET

ES-150 - *Stainless Steel Transformer*

TRANSFORMER ORDERING INFORMATION

TO ORDER Transformer: Select appropriate choice from each column as in the following example

EXAMPLE: ES-150-DT

TRANSFORMER SERIES	TRANSFORMER MODEL	ACCESSORY OPTIONS	FINISH
ES - Energy Smart, Stainless Steel 12V Transformer	150- 150 VA	T- Removable multi-setting mechanical 24-hour timer DT- Removable multi-setting digital 7-day timer RP- Remote wired photocell with electronic timer (Accessories not required for operation of transformer)	B- Black G- Verde BR- Architectural Brick Z- Architectural Bronze GT- Granite P- Pewter TC- Terracotta R- Rust HG- Hunter Green M- Mocha WB- Weathered Bronze WI- Weathered Iron W- White

Note: When a finish is not specified, **ES-150** transformers will be shipped with a clear, polyester, powder-coated finish.

FEATURES:

- Stainless steel, custom-designed, weather-tight casing seals components from moisture and debris.
- Vista's *Smudge-Free* clear powder-coat ensures a like-brand-new look for years to come.
- Easy door removal allowing greater access during installation.
- Easy to read instructions mounted inside door.
- Magnetic overload circuit breakers for reliable automatic circuit protection under all conditions. The circuit breaker rocker switch may also be used for manual on/off switching of the unit.
- Over-sized wiring compartment makes cable installation easy.
- 1/2"-3/4" knockouts on each side of enclosure for conduit and accessory mounting
- Adjustable Cable Raceway Feeder easily accommodates multiple wire runs with 1/2"-3/4" conduit knockout.
- Extra-large terminal strip for multiple low voltage cable connections as well as extended wire leads for alternative wiring techniques.
- 6-foot, heavy-gauge, grounded, water-resistant power cord with integrally molded plug.
- 120-volt Accessory receptacle for use with optional available timers.
- Discrete louvered vents in the rear of cabinet maintains a cool operating temperature.
- 120-volt terminal strip for easy hard-wiring.
- Optional photocell is available for use with timers or stand-alone.
- Mounting template included.
- Also available in 240V, 50 or 60 cycle- Special order only, consult factory.

Vista Professional Outdoor Lighting reserves the right to modify the design and/or construction of the transformer shown without further notification.

1625 Surveyor Avenue • Simi Valley, CA 93063 • (805) 527-0987 • (800) 766-VISTA (8478)
FAX: (888) 670-VISTA (8478) • email@vistapro.com • www.vistapro.com

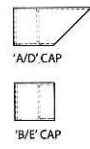
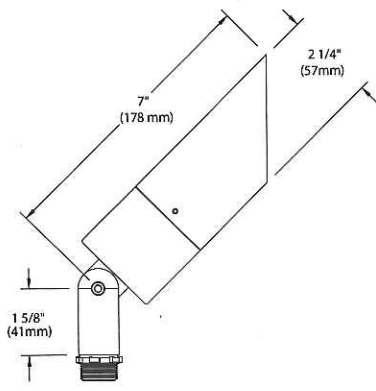
ES-150 (09/11)

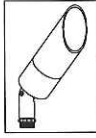
8 WATT | **DS** DELTA STAR™

Sustainably manufactured from recycled copper-free aluminum, brass or stainless steel, Delta Star™ accentuates any architectural or landscape element. A one inch 45° or 90° lens cap minimizes glare and reduces aperture brightness. Delta Star™ operates on standard low voltage circuits. **Keyword DS**



Shown with 'A' Cap
in Black Wrinkle (BLW) finish

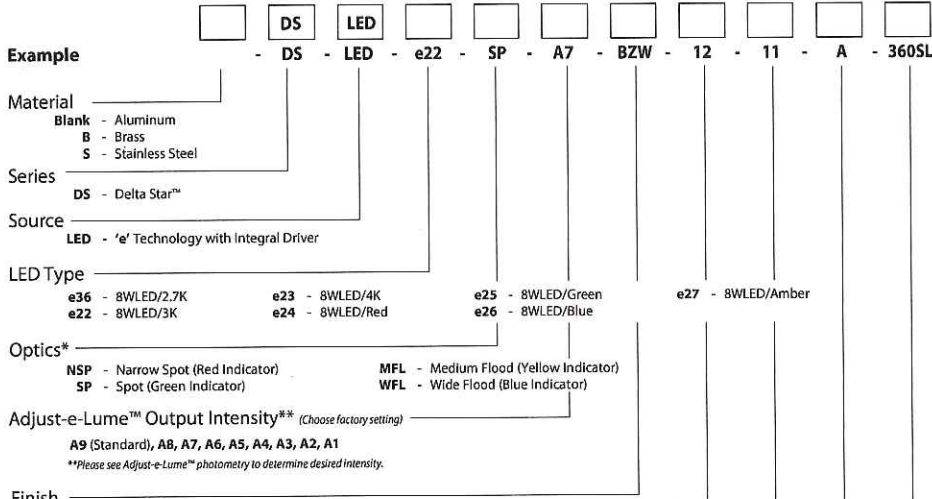




DELTA STAR™

PROJECT:	
TYPE:	
CATALOG NUMBER:	
SOURCE:	
NOTES:	

CATALOG NUMBER LOGIC



Aluminum Finish			Brass Finish		Premium Finish		
Powder Coat Color	Satin	Wrinkle	Machined	MAC	ABP	CMG	RMG
Bronze	BZP	BZW	Polished	POL	Antique Brass Powder	Cascade Mountain Granite	Rocky Mountain Granite
Black	BLP	BLW	Mitique™	MIT	Aleutian Mountain Granite	Cracked Ice	Sonoran Desert Sandstone
White (Gloss)	WHP	WHW	Stainless Finish		Antique White	Cream	Sierra Mountain Granite
Aluminum	SAP	—	Machined	MAC	Black Chrome	Hunter Green	Textured Forest
Verde	—	VER	Polished	POL	Beige	Mojave Desert Sandstone	Weathered Copper
			Brushed	BRU <small>Interior use only</small>	Brown Patina Powder	Natural Brass Powder	Weathered Iron
					Clear Anodized Powder	Old Copper	<small>Also available in RAL Finishes See submittal SUB-1439-00</small>

Lens Type
12 - Soft Focus Lens
13 - Rectilinear Lens

Shielding
11 - Honeycomb Baffle

Cap Style
A - 45° B - 90° D - 45° less Weep Hole (Interior Use Only) E - 90° less Weep Hole (Interior Use Only)

Option
360SL - 360SL™ Rotational Knuckle Mounting System

LM79 DATA

BK No.	CCT (Typ.)	Input Watts (Typ.)	CRI (Typ.)
e36	2700K	8.4	90
e22	3100K	8.4	90
e23	4100K	8.4	75
e24	Red (627nm)	7.9	~
e25	Green (530nm)	8.4	~
e26	Blue (470nm)	8.4	~
e27	Amber (590nm)	7.9	~

L70 DATA

Minimum Rated Life (hrs.) 70% of initial lumens (L70)
50,000
50,000
50,000
50,000
50,000
50,000
50,000

***OPTICAL DATA**

Beam Type	Angle	Visual Indicator
Narrow Spot	14°	Red Dot
Spot	18°	Green Dot
Medium Flood	25°	Yellow Dot
Wide Flood	36°	Blue Dot

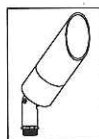
B-K LIGHTING

40429 Brickyard Drive • Madera, CA 93636 • USA
559.438.5800 • FAX 559.438.5900
www.bklighting.com • info@bklighting.com

SUBMITTAL DATE
12-13-11

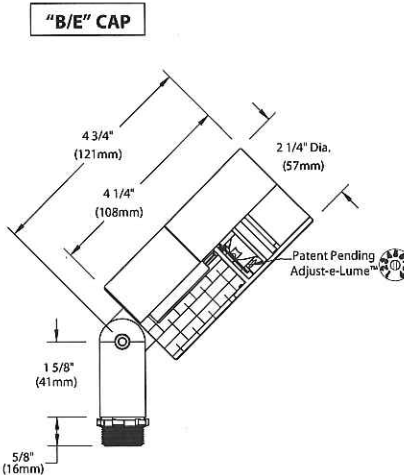
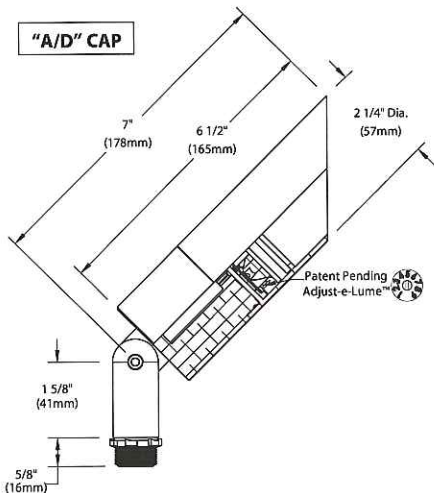
DRAWING NUMBER
SUB000930

THIS DOCUMENT CONTAINS PROPRIETARY INFORMATION OF B-K LIGHTING, INC. AND ITS RECEIPT OR POSSESSION DOES NOT CONVEY ANY RIGHTS TO REPRODUCE, DISCLOSE ITS CONTENTS, OR TO MANUFACTURE, USE OR SELL ANYTHING IT MAY DESCRIBE. REPRODUCTION, DISCLOSURE OR USE WITHOUT SPECIFIC WRITTEN AUTHORIZATION OF B-K LIGHTING, INC. IS STRICTLY FORBIDDEN.

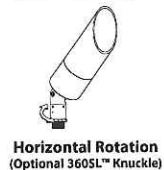


DELTA STAR™

PROJECT:	
TYPE:	



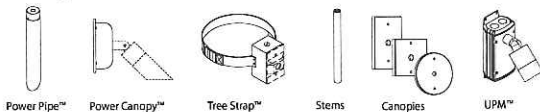
360 SL™



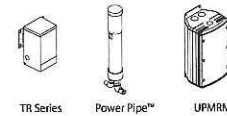
Horizontal Rotation
(Optional 360SL™ Knuckle)

Accessories (Configure separately)

Mounting:



Remote Transformers:



All dimensions indicated on this submittal are nominal. Contact Technical Sales if you require more stringent specifications.

SPECIFICATIONS

GreenSource Initiative™
Metal and packaging components are made from recycled materials. Manufactured using renewable solar energy, produced onsite. Returnable to manufacturer at end of life to ensure cradle-to-cradle handling. Packaging contains no chlorofluorocarbons (CFC's). Use of this product may qualify for GreenSource efficacy and recycling rebate(s). Consult www.bkllighting.com/greensource for program requirements.

Materials
Furnished in Copper-Free Aluminum (Type 6061-T6), Brass (Type 360) or Stainless Steel (Type 304).

Body
Fully machined from solid billet. Unibody design provides enclosed, water-proof wireway and integral heat sink for maximum component life. Integral knuckle for maximum mechanical strength. High temperature, silicone 'O' Ring provides water-tight seal.

Knuckle
The LOCK™ (Locking 'O' Ring Compression Knuckle) is comprised of two components. The first is integral to the body and features an interior, machined taper. The second is machined from solid billet and features a second, reverse angle taper. The resultant mechanical taper-lock allows a full 180° vertical adjustment without the use of serrated teeth, which inherently limit aiming. High temperature, silicone 'O' Ring provides water-tight seal and compressive resistance to maintain fixture position. Design withstands 73 lb. static load prior to movement to ensure decades of optical alignment. 1/2" pipe thread for mounting.

Optional 360SL™ additionally provides biaxial source control with 360° horizontal rotation in addition to vertical adjustment.

Cap
Fully machined. Accommodates [1] lens or lower media. Choose from 45° cutoff ('A' or 'D'), or 1" deep bezel with 90° cutoff ('B' or 'E') cap styles. 'A' and 'B' caps include weep-hole for water and debris drainage. 'D' and 'E' caps exclude weep-hole and are for interior use only.

Lens
Shock resistant, tempered, glass lens is factory adhered to fixture cap and provides hermetically sealed optical compartment. Specify soft focus (#12) or rectilinear (#13) lens.

BKSSL™
Integrated solid state system with 'e' technology is scalable for field upgrade. Modular design with electrical quick disconnects permit field maintenance. High power, forward throw source complies with ANSI C78.377 binning requirements. Exceeds ENERGY STAR® lumen maintenance requirements. LM-80 certified components.

Integral non-dimming driver. Minimum 50,000 hour rated life at 70% of initial lumens (L70). BKSSL technology provides long life, significant energy reduction and exceptional thermal management.

Adjust-e-Lume™ (Pat. Pending)
Integral electronics allows dynamic lumen response at the individual fixture. Indexed (100% to 25% nom.) lumen output. Maintains output at desired level or may be changed as conditions require. Specify factory preset output intensity.

Optics
Interchangeable OPTIKIT™ modules permit field changes to optical distribution. Color-coded for easy reference: Narrow Spot (NSP) = Red. Spot (SP) = Green. Medium Flood (MFL) = Yellow. Wide Flood = Blue.

Remote Transformer
For use with 12VAC BKSSL™ remote transformer.

Wiring
Teflon® coated, 18AWG, 600V, 250° C. rated and certified to UL 1659 standard.

Hardware
Tamper-resistant, stainless steel hardware. LOCK™ aiming screw is additionally black oxide treated for additional corrosion resistance.

Finish
StarGuard® (Pat. Pend.), a RoHS compliant, 15 stage chromate-free process cleans and conversion coats aluminum components prior to application of Class 'A' TGIC polyester powder coating. Brass components are available in powder coat or handcrafted metal finish. Stainless steel components are available in handcrafted metal finish. (Brushed finish for interior use only).

Warranty
5 year limited warranty.

Certification and Listing
ITL tested to IESNA LM-79. Lighting Facts Registration per USDOE (www.lightingfacts.com). ETL Listed to ANSI/UL Standard 1838 and UL Standard 8750. Certified to CAN/CSA Standard C22.2 No. 9, CSA TIL B-588, RoHS compliant. Suitable for indoor or outdoor use. Suitable for use in wet locations. Suitable for installation within 4' of the ground. IP66 Rated. Made in USA.



*Teflon is a registered trademark of DuPont Corporation.
*Energy Star is a registered trademark of the United States Environmental Protection Agency.

B-K LIGHTING

40429 Brickyard Drive • Madera, CA 93636 • USA
559.438.5800 • FAX 559.438.5900
www.bkllighting.com • info@bkllighting.com

SUBMITTAL DATE
12-13-11

DRAWING NUMBER
SUB000930

adjust-e-lume™
TECHNOLOGY

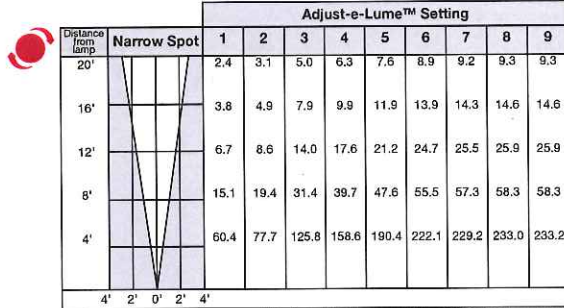
Photometry for use with e36

2.7K

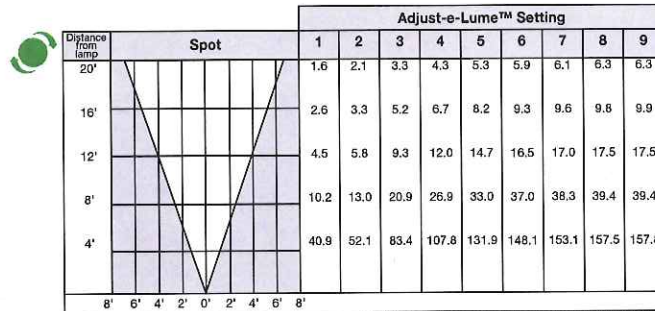
Select OptiKit™ for desired distribution

- **RED** Narrow Spot (NSP)
- **GREEN** Spot (SP)
- **YELLOW** Medium Flood (MFL)
- **BLUE** Wide Flood (WFL)

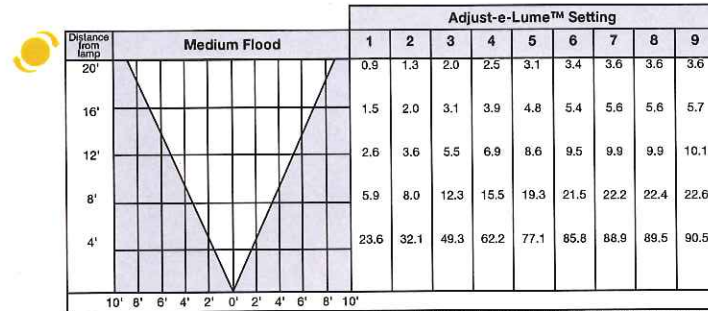
Set adjust-e-lume™ Dial to desired output



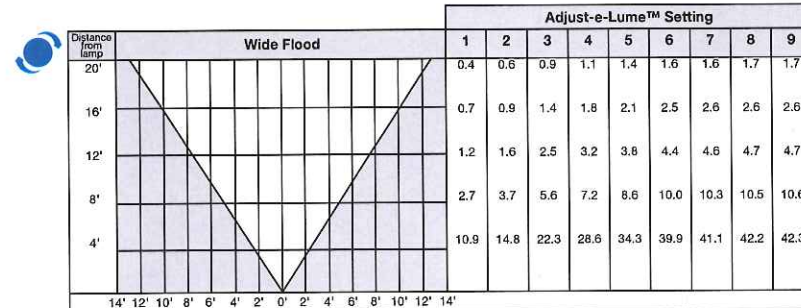
Note: If using No. 11 honeycomb baffle multiply footcandle values by .80



Note: If using No. 11 honeycomb baffle multiply footcandle values by .80



Note: If using No. 11 honeycomb baffle multiply footcandle values by .80



Note: If using No. 11 honeycomb baffle multiply footcandle values by .80

B-K LIGHTING

40429 Brickyard Drive • Madera, California 93636 • 559.438.5800
www.bklighting.com • www.adjust-e-lume.com • www.bkssl.com

adjust-e-lume™
TECHNOLOGY

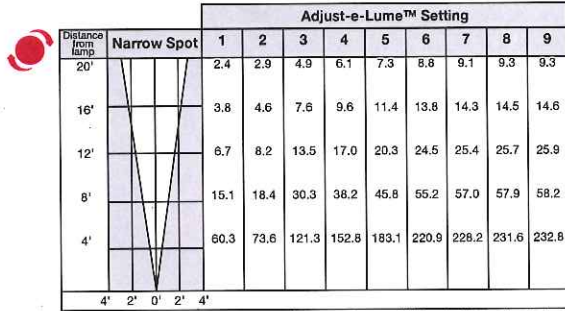
Photometry for use with e22



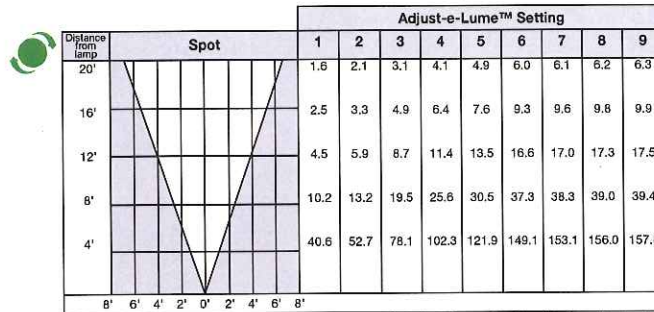
Select OptiKit™ for desired distribution

- **RED** Narrow Spot (NSP)
- **GREEN** Spot (SP)
- **YELLOW** Medium Flood (MFL)
- **BLUE** Wide Flood (WFL)

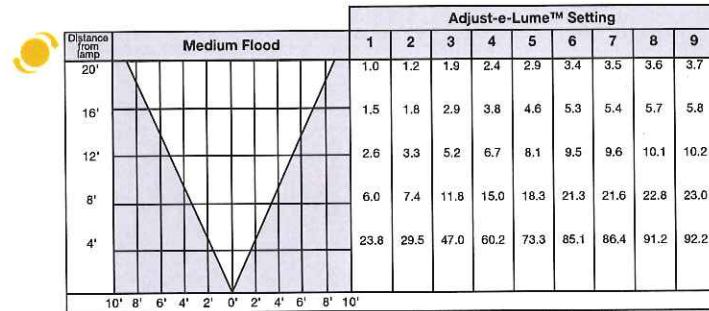
Set adjust-e-lume™ Dial to desired output



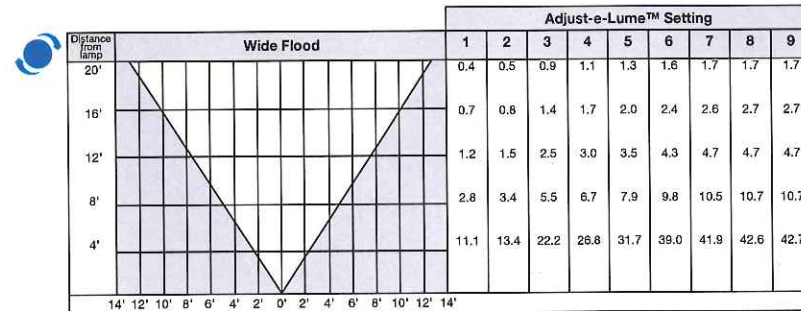
Note: If using No. 11 honeycomb baffle multiply footcandle values by .80



Note: If using No. 11 honeycomb baffle multiply footcandle values by .80



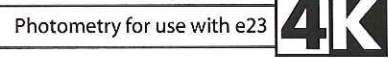
Note: If using No. 11 honeycomb baffle multiply footcandle values by .80



Note: If using No. 11 honeycomb baffle multiply footcandle values by .80

B-K LIGHTING

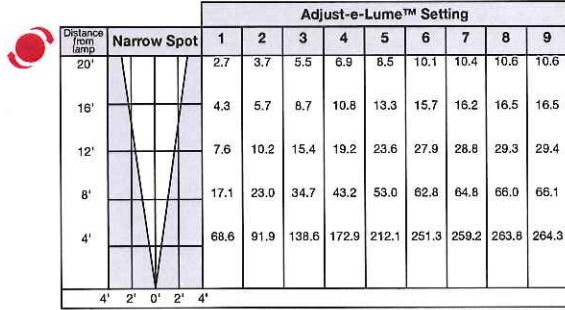
40429 Brickyard Drive • Madera, California 93636 • 559.438.5800
www.bklighting.com • www.adjust-e-lume.com • www.bkssl.com



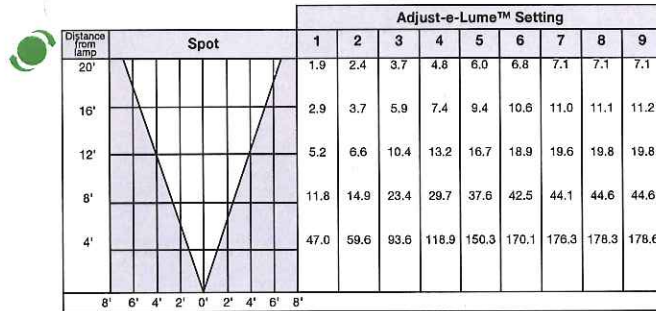
Select OptiKit™ for desired distribution

- **RED** Narrow Spot (NSP)
- **GREEN** Spot (SP)
- **YELLOW** Medium Flood (MFL)
- **BLUE** Wide Flood (WFL)

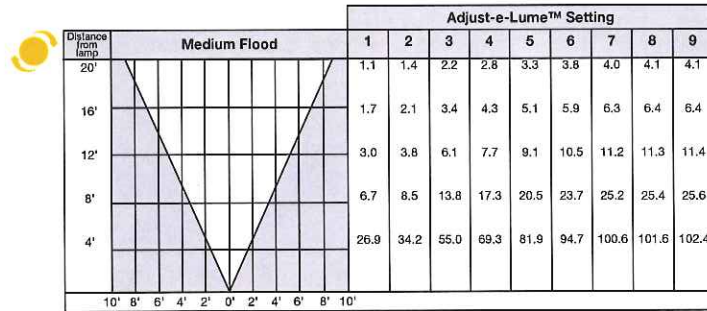
Set adjust-e-lume™ Dial to desired output



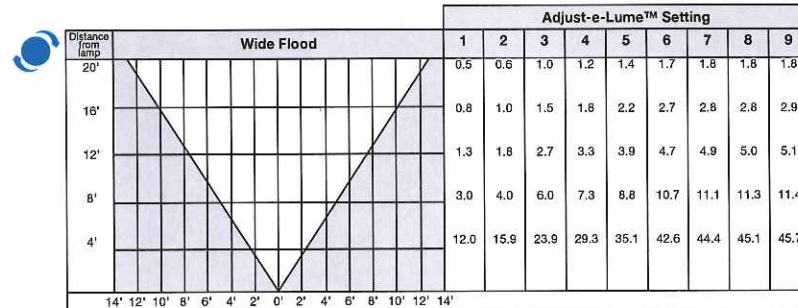
Note: If using No. 11 honeycomb baffle multiply footcandle values by .80



Note: If using No. 11 honeycomb baffle multiply footcandle values by .80



Note: If using No. 11 honeycomb baffle multiply footcandle values by .80



Note: If using No. 11 honeycomb baffle multiply footcandle values by .80

B-K LIGHTING

40429 Brickyard Drive • Madera, California 93636 • 559.438.5800
www.bklighting.com • www.adjust-e-lume.com • www.bkssl.com

Delta Star - Spot

lighting facts^{CM}
A Program of the U.S. DOE

Light Output (Lumens)	253
Watts	8.2
Lumens per Watt (Efficacy)	30

Color Accuracy	83
Color Rendering Index (CRI)	

Light Color
Correlated Color Temperature (CCT) **3182 (Bright White)**

2700K 3000K 4500K 6500K

Warm White Bright White Daylight

All results are according to IESNA LM-79-2008, Approved Method for the Electrical and Photometric Testing of Solid-State Lighting. The U.S. Department of Energy (DOE) verifies product test data and results.

Visit www.lightingfacts.com for the Label Reference Guide.

Registration Number: GCXV-1JQ2XO
Model Number: DS-LED-e23-SP-12
Type: Other

Delta Star - Spot

lighting facts^{CM}
A Program of the U.S. DOE

Light Output (Lumens)	354
Watts	8.1
Lumens per Watt (Efficacy)	43

Color Accuracy	68
Color Rendering Index (CRI)	

Light Color
Correlated Color Temperature (CCT) **4080 (Bright White)**

2700K 3000K 4500K 6500K

Warm White Bright White Daylight

All results are according to IESNA LM-79-2008, Approved Method for the Electrical and Photometric Testing of Solid-State Lighting. The U.S. Department of Energy (DOE) verifies product test data and results.

Visit www.lightingfacts.com for the Label Reference Guide.

Registration Number: GCXV-VD2NJC
Model Number: DS-LED-e23-SP-12
Type: Other

Delta Star - N. Spot

lighting facts^{CM}
A Program of the U.S. DOE

Light Output (Lumens)	365
Watts	8.2
Lumens per Watt (Efficacy)	44

Color Accuracy	68
Color Rendering Index (CRI)	

Light Color
Correlated Color Temperature (CCT) **4102 (Bright White)**

2700K 3000K 4500K 6500K

Warm White Bright White Daylight

All results are according to IESNA LM-79-2008, Approved Method for the Electrical and Photometric Testing of Solid-State Lighting. The U.S. Department of Energy (DOE) verifies product test data and results.

Visit www.lightingfacts.com for the Label Reference Guide.

Registration Number: GCXV-9Y65SH
Model Number: DS-LED-e23-NSP-12
Type: Other

Delta Star - Rectilinear

lighting facts^{CM}
A Program of the U.S. DOE

Light Output (Lumens)	299
Watts	8.5
Lumens per Watt (Efficacy)	35

Color Accuracy	66
Color Rendering Index (CRI)	

Light Color
Correlated Color Temperature (CCT) **4022 (Bright White)**

2700K 3000K 4500K 6500K

Warm White Bright White Daylight

All results are according to IESNA LM-79-2008, Approved Method for the Electrical and Photometric Testing of Solid-State Lighting. The U.S. Department of Energy (DOE) verifies product test data and results.

Visit www.lightingfacts.com for the Label Reference Guide.

Registration Number: GCXV-4DFT4T
Model Number: DS-LED-e23-MFL-13
Type: Other

Delta Star - M. Flood

lighting facts^{CM}
A Program of the U.S. DOE

Light Output (Lumens)	346
Watts	8.2
Lumens per Watt (Efficacy)	42

Color Accuracy	68
Color Rendering Index (CRI)	

Light Color
Correlated Color Temperature (CCT) **4047 (Bright White)**

2700K 3000K 4500K 6500K

Warm White Bright White Daylight

All results are according to IESNA LM-79-2008, Approved Method for the Electrical and Photometric Testing of Solid-State Lighting. The U.S. Department of Energy (DOE) verifies product test data and results.

Visit www.lightingfacts.com for the Label Reference Guide.

Registration Number: GCXV-KBY3F8
Model Number: DS-LED-e23-MFL-12
Type: Other

Delta Star - W. Flood

lighting facts^{CM}
A Program of the U.S. DOE

Light Output (Lumens)	345
Watts	8.3
Lumens per Watt (Efficacy)	41

Color Accuracy	67
Color Rendering Index (CRI)	

Light Color
Correlated Color Temperature (CCT) **3981 (Bright White)**

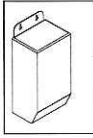
2700K 3000K 4500K 6500K

Warm White Bright White Daylight

All results are according to IESNA LM-79-2008, Approved Method for the Electrical and Photometric Testing of Solid-State Lighting. The U.S. Department of Energy (DOE) verifies product test data and results.

Visit www.lightingfacts.com for the Label Reference Guide.

Registration Number: GCXV-X8D75X
Model Number: DS-LED-e23-WFL-12
Type: Other

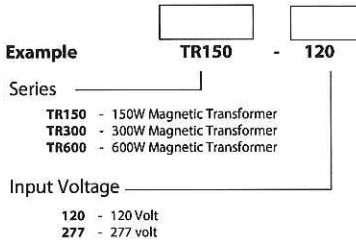


Magnetic Transformer

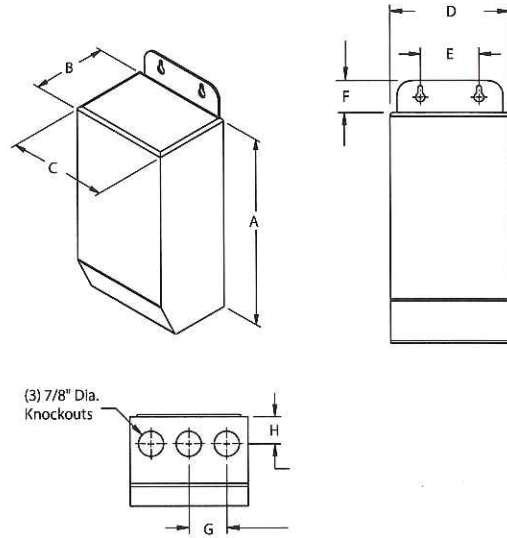
TR SERIES

PROJECT:	
TYPE:	
CATALOG NUMBER:	
SOURCE:	
NOTES:	

CATALOG NUMBER LOGIC



DIMENSIONS



TRANSFORMER DATA

Series	Input Voltage	Max. Load	Weight	Height A	Depth B	C	D	E	F	G	H
TR150	120V	150W	6 lbs.	8"	3-3/32"	4-3/32"	5-1/2"	4-1/8"	1-1/8"	1-5/16"	15/16"
TR300	120V	300W	7.13 lbs.	8"	3-3/32"	4-3/32"	5-1/2"	4-1/8"	1-1/8"	1-5/16"	15/16"
TR600	120V	600W	14.9 lbs.	9-13/32"	4-3/32"	4-19/32"	5-3/4"	4-5/8"	1-1/16"	1-1/2"	1-1/4"
TR150	277V	150W	6 lbs.	8"	3-3/32"	4-3/32"	5-1/2"	4-1/8"	1-1/8"	1-5/16"	15/16"
TR300	277V	300W	7.13 lbs.	8"	3-3/32"	4-3/32"	5-1/2"	4-1/8"	1-1/8"	1-5/16"	15/16"
TR600	277V	600W	14.9 lbs.	9-13/32"	4-3/32"	4-19/32"	5-3/4"	4-5/8"	1-1/16"	1-1/2"	1-1/4"

SPECIFICATIONS

Housing
Stainless steel, NEMA Outdoor 3R rated enclosure. [3] bottom entry 1/2" knockouts provide access to wiring compartment. Riveted, hinged cover opens vertically from bottom to top for service access.

Transformer
Fully encapsulated, 150VA, 300VA, and 600VA Class B insulated, low voltage magnetic transformer. 120VAC or 277VAC input. 12VAC output (fully loaded). 0.6A (120VAC) or 0.3A (277VAC) maximum no load input current. Manual thermal reset. 25A secondary circuit breaker. Enclosure temperature <65° C when fully loaded (in 40° C ambient).

For use with halogen and **RESOL** products. Fully dimmable with halogen loads utilizing magnetic low voltage dimmers.

For output Wiring
See B-K Lighting Low Voltage Design Guide.

Warranty
Limited five year warranty.

Certification and Listings
Nema Type 3R Enclosure. Suitable for indoor and outdoor use. UL Listed to ANSI/UL Standard 1012.



B-K LIGHTING	40429 Brickyard Drive • Madera, CA 93636 • USA	SUBMITTAL DATE	SUBMITTAL NUMBER
	559.438.5800 • FAX 559.438.5900 www.bklighting.com • info@bklighting.com	11-15-12	TR-SERIES

THIS DOCUMENT CONTAINS PROPRIETARY INFORMATION OF B-K LIGHTING, INC. AND ITS RECEIPT OR POSSESSION DOES NOT CONVEY ANY RIGHTS TO REPRODUCE, DISCLOSE ITS CONTENTS, OR TO MANUFACTURE, USE OR SELL ANYTHING IT MAY DESCRIBE. REPRODUCTION, DISCLOSURE OR USE WITHOUT SPECIFIC WRITTEN AUTHORIZATION OF B-K LIGHTING, INC. IS STRICTLY FORBIDDEN.

Low Voltage Guide

Many B-K LIGHTING fixtures operate on 12 volts. Taking advantage of these energy-saving fixtures requires appropriate care in planning the electrical wiring system. To maintain expected lamp performance, we recommend the following procedures in sizing your low-voltage wiring system.

SIZING OF LOW VOLTAGE WIRING

1. Locate and plot fixtures on plan. Choose the lighting equipment necessary to create the desired lighting effects. Mark lamp wattage for each fixture location.
2. Identify potential transformer locations. The ideal locations are those which provide for the shortest possible low voltage distances (inconspicuous areas, behind rocks, shrubbery, etc., within the landscape). UPM, Power Pipe™, Power Pipe II™, or, if available, transformers integral in the fixture are good ways to hide the transformer and reduce voltage drop problems.
3. Add the total wattage for the proposed low voltage run. Measure the wire lengths from the transformer to the fixture locations. Find the distance to the "CENTER OF LOAD" of the low voltage run.

$$\text{CENTER OF LOAD} = \frac{\text{Distance from first to last fixture}}{(2) \text{ Two}} + \text{Distance from transformer to first fixture}$$

4. Using the B-K LIGHTING Wire Selection Table, select the wattage column which applies. Look down the column stopping at a distance, in feet, that is equal or greater than the "CENTER OF LOAD" distance. Look across to find the proper wire size for your layout.

Note: In the event of multiple runs from a given transformer, treat each run separately.

12-VOLT WIRE SELECTION TABLE

WIRE SIZE	TOTAL WATTAGE																
	12	20	24	35	40	50	60	70	80	100	105	120	140	150	160	200	250
12	178	106	89	60	53	42	35	30	26	21	20	17	15	13	—	—	—
10	283	169	141	96	85	67	56	48	42	33	32	28	24	22	19	17	13
8	450	269	225	154	135	107	90	77	67	54	51	45	38	36	31	27	21
6	715	428	357	245	214	171	143	122	107	85	81	71	61	57	49	42	34

CENTER OF LOAD WIRING DISTANCES IN FEET

The Wire Selection Table provided is based on a maximum allowable voltage drop of 5%. Electrical designs which allow greater than 5% voltage drop, reduce rated light output beyond acceptable levels.

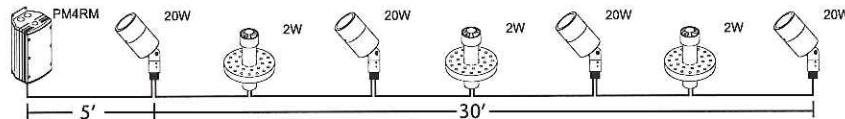
The importance of the proper wire selection is demonstrated below. Both examples have the same total watts and identical overall lengths of wire run, yet require different wire sizes, or multiple wire runs, to operate within the 5% maximum voltage drop B-K LIGHTING criteria.

EXAMPLE:

Total wattage:
(20w x 4) + (2w x 3) = 86 watts

CENTER OF LOAD:
 $\left(\frac{30}{2}\right) + 5 = 20'$

SINGLE WIRE RUN:
12 gauge

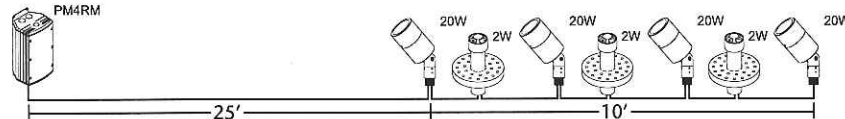


EXAMPLE:

Total wattage:
(20w x 4) + (2w x 3) = 86 watts

CENTER OF LOAD:
 $\left(\frac{10}{2}\right) + 25 = 30'$

SINGLE WIRE RUN:
10 gauge



TRANSFORMERS

For areas which are far reaching from fixtures, running 120 volt power to each fixture location with individual transformers, such as TRSS75 or TRSS150, provides an excellent economic solution to voltage drop. These transformers can also be specified in the UPM, Power Pipe™, and Power Pipe II™ transformer housings.

Note: Installations should be in accordance with the National Electric Code and applicable local codes.





DENALI™ DE

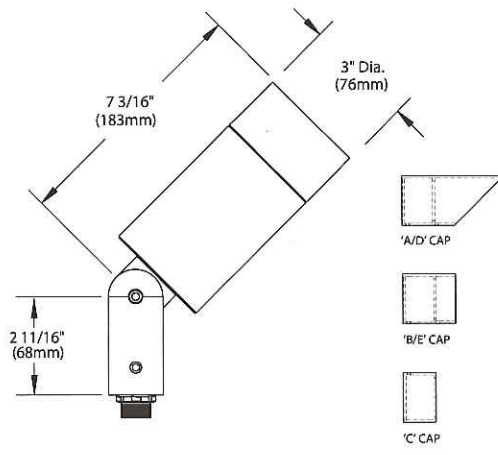
15 WATT, 25 WATT • 120V-277V

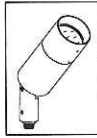
The Denali Series™ floodlight is a powerful, yet innovative solid-state lighting fixture designed to deliver higher lumen output and unprecedented color consistency. Incorporating our new 'X' technology, Denali™ Floodlight utilizes Patented "Color Corrected Cold Phosphor" technology to deliver near-perfect natural white light while maintaining 'lifetime' color consistency. It's universal design accommodates a variety of remote and integral driver mounting options.

Visit www.bklighting.com for ordering logic. Keyword DE-LED



Shown with 'C' Cap
In Bronze Wrinkle (BZW) finish





DENALI™ FLOODLIGHT

PROJECT: _____

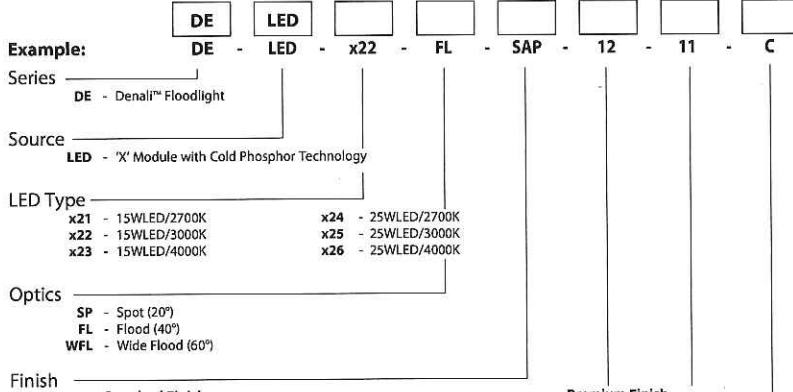
TYPE: _____

CATALOG NUMBER: _____

SOURCE: _____

NOTES: _____

CATALOG NUMBER LOGIC

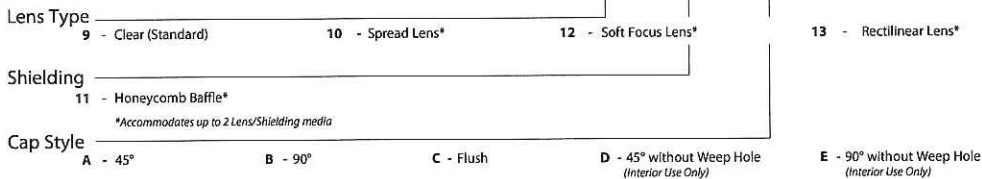


Configure Driver Housing Separately
Driver Housing Required

- INTEGRAL DRIVER HOUSINGS:**
HP2 - HP2 Housing
PM2 - Universal Power Module 2
PM2D - Universal Power Module 2 Dual
PC - Power Canopy
PPII - Power Pipe II
TMB - Pole Mount or Tenon Mount
- REMOTE DRIVER HOUSINGS:**
HP2RM - HP2 Remote Housing
PM2RM - Universal Power Module 2 Remote
PM2DRM - Universal Power Module 2 Dual Remote
RM - Remote Wall Mount
DRM - Dual Remote Wall Mount

Standard Finish		
Powder Coat Color	Satin	Wrinkle
Bronze	BZP	BZW
Black	BLP	BLW
White (Gloss)	WHP	WHW
Aluminum	SAP	—
Verde	—	VER

Premium Finish			
ABP	Antique Brass Powder	RMG	Rocky Mountain Granite
AMG	Aleutian Mountain Granite	SDS	Sonoran Desert Sandstone
AQW	Antique White	SMG	Sierra Mountain Granite
BCM	Black Chrome	TXF	Textured Forest
BGE	Beige	WCP	Weathered Copper
BPP	Brown Patina Powder	WIR	Weathered Iron
CAP	Clear Anodized Powder	Also available in RAL Finishes See submittal SUB-1439-00	
CMG	Cascade Mountain Granite		
CRI	Cracked Ice		
CRM	Cream		
HUG	Hunter Green		
MDS	Mojave Desert Sandstone		
NBP	Natural Brass Powder		
OCP	Old Copper		



LM79 DATA

BK No.	CCT (Typ.)	CRI (Ra. Typ.)	Color Consistency	Input Watts (Typ.)
x21	2700K	>80	±40K	15
x22	3000K	>80	±50K	15
x23	4000K	>80	±70K	15
x24	2700K	>80	±40K	25
x25	3000K	>80	±50K	25
x26	4000K	>80	±70K	25

L70 DATA

Minimum Rated Life (hrs.) 70% of initial lumens (L70)
50,000
50,000
50,000
50,000
50,000
50,000

OPTICAL DATA

Beam Type	Angle
Spot	20°
Flood	40°
Wide Flood	60°

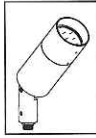
B-K LIGHTING

40429 Brickyard Drive • Madera, CA 93636 • USA
559.438.5900 • FAX 559.438.5900
www.bklighting.com • info@bklighting.com

SUBMITTAL DATE
3-12-12

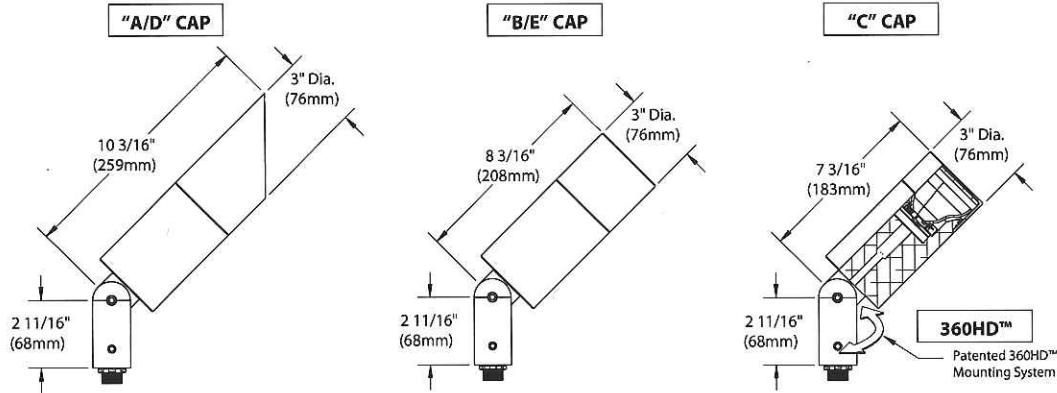
DRAWING NUMBER
SUB001113

THIS DOCUMENT CONTAINS PROPRIETARY INFORMATION OF B-K LIGHTING, INC. AND ITS RECEIPT OR POSSESSION DOES NOT CONVEY ANY RIGHTS TO REPRODUCE, DISCLOSE ITS CONTENTS, OR TO MANUFACTURE, USE OR SELL ANYTHING IT MAY DESCRIBE. REPRODUCTION, DISCLOSURE OR USE WITHOUT SPECIFIC WRITTEN AUTHORIZATION OF B-K LIGHTING, INC. IS STRICTLY FORBIDDEN.



DENALI™ FLOODLIGHT

PROJECT:	
TYPE:	

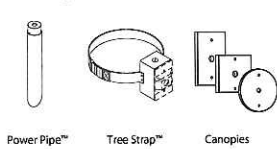


All dimensions indicated on this submittal are nominal. Contact Technical Sales if you require more stringent specifications.

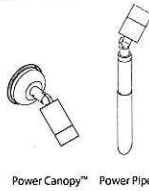
Accessories (Configure separately)

Drivers (Configure separately)

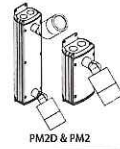
Mounting:



Power Pipe™ Tree Strap™ Canopies



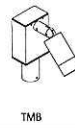
Power Canopy™ Power Pipe™



PM2D & PM2



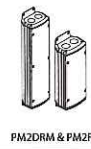
HP2



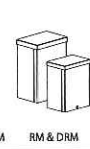
TM6



HP2RM



PM2DRM & PM2RM



RM & DRM

Drivers:

SPECIFICATIONS

GreenSource Initiative™
Metal and packaging components are made from recycled materials. Manufactured using renewable solar energy, produced onsite. Returnable to manufacturer at end of life to ensure cradle-to-cradle handling. Packaging contains no chlorofluorocarbons (CFC's). Use of this product may qualify for GreenSource efficacy and recycling rebates. Consult www.bklighting.com/greensource for program requirements.

Materials
Furnished in Copper-Free Aluminum (Type 6061-T6).

Body
Fully machined from solid billet. Unibody design provides enclosed, water-proof wireway and integral heat sink for maximum component life. Integral knuckle for maximum mechanical strength. High temperature, silicone 'O' Ring provides water-tight seal.

Knuckle
Patented 360HD™ Mounting System features a mechanical taper-lock, which allows a full 180° vertical adjustment without the use of serrated teeth, which inherently limit aiming. High temperature, silicone 'O' Ring provides water-tight seal and compressive resistance to maintain fixture position. Design withstands 73 lb. static load prior to movement to ensure decades of optical alignment. 1/2" pipe thread for mounting. Biaxial source control additionally provides 360° horizontal rotation in addition to vertical adjustment. 'Aim-And-Lock' Technology allows precision adjustment without the redundant tightening and loosening of knuckle screw.

Cap
Fully machined. Accommodates (2) lens or lower media. Choose from 45° cutoff ('A' or 'D'), 1" deep bezel with 90° cutoff ('B' or 'E') or flush lens ('C') cap styles. 'A' and 'B' caps include weep-hole for water and debris drainage. 'D' and 'E' caps exclude weep-hole and are for interior use only.

Lens
Shock resistant, tempered, glass lens is factory adhered to fixture cap and provides hermetically sealed optical compartment.

BKSSL™
Integrated solid state system with 'x' technology is scalable for field upgrade. Modular design with electrical quick disconnects permit field maintenance.

LM-80 certified. Minimum 50,000 hour rated life at 70% of initial lumens (L70). BKSSL technology provides long life, significant energy reduction and exceptional thermal management.

Color Management
Corrected cold phosphor technology delivers near-perfect natural white light. Long term phosphor maintenance over product life. Exact color point conformity exceeds ANSI C78.377 standard. Provides uniform beam with no color variation over angle. Module exceeds 80 CRI (RA>80, R9>16).

Remote Driver
For use with remote LED driver. See remote driver submittal to determine remote distance and wiring requirements prior to detailing field installation of any remote wiring.

Optics
Interchangeable OPTIKIT™ modules permit field changes to optical distribution.

Wiring
Teflon® coated, 18AWG, 600V, 250° C rated and certified to UL 1659 standard.

Hardware
Tamper-resistant, stainless steel hardware. 360HD™ hardware is additionally black oxide treated for additional corrosion resistance.

Finish
StarGuard®, our exclusive RoHS compliant, 15 stage chromate-free process cleans and conversion coats aluminum components prior to application of Class 'A' TGIC polyester powder coating.

Warranty
5 year limited warranty.

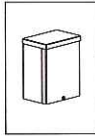
Certification and Listing
ITL tested to IESNA LM-79. Lighting Facts Registration per USDOE (www.lightingfacts.com). ETL Listed to ANSI/UL Standards 1598, 8750 and Certified to CAN/CSA Standard C22.2 No. 250. RoHS compliant. Suitable for indoor or outdoor use. Suitable for use in wet locations. Additionally suitable for installation within 4' of the ground. IP66 Rated. Made in USA.



*Teflon is a registered trademark of DuPont Corporation.
*Energy Star is a registered trademark of the United States Environmental Protection Agency.

B-K LIGHTING	40429 Brickyard Drive • Madera, CA 93636 • USA 559.438.5800 • FAX 559.438.5900 www.bklighting.com • info@bklighting.com	SUBMITTAL DATE	DRAWING NUMBER
		3-12-12	SUB001113

360HD Patent is covered in whole or in part by U.S. Patent No. 6,161,948



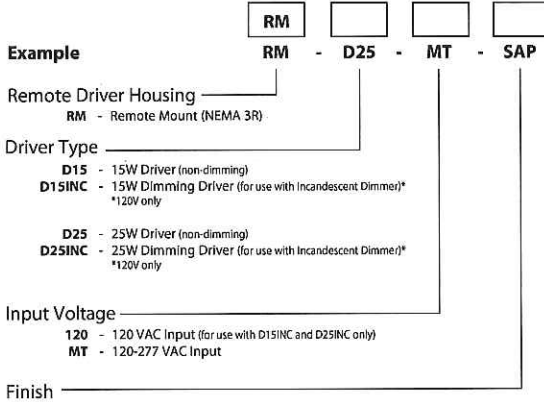
BKSSL
SOLID STATE LIGHTING
Constant Current Driver



NEMA 3R Remote Driver Housing

PROJECT:	
TYPE:	
CATALOG NUMBER:	
LAMP(S):	
NOTES:	

CATALOG NUMBER LOGIC



Standard Finish

Powder Coat Color	Satin	Wrinkle
Bronze	BZP	BZW
Black	BLP	BLW
White (Gloss)	WHP	WHW
Aluminum	SAP	—
Verde	—	VER

Premium Finish

ABP Antique Brass Powder	MDS Mojave Desert Sandstone
AMG Aleutian Mountain Granite	NBP Natural Brass Powder
AQW Antique White	OCP Old Copper
BCM Black Chrome	RMG Rocky Mountain Granite
BGE Belge	SDS Sonoran Desert Sandstone
BPP Brown Patina Powder	SMG Sierra Mountain Granite
CAP Clear Anodized Powder	TXF Textured Forest
CMG Cascade Mountain Granite	WCP Weathered Copper
CRI Cracked Ice	WIR Weathered Iron
CRM Cream	
HUG Hunter Green	

Also available in RAL Finishes
See submittal SUB-1439-00

REMOTE WIRING

LED Driver

Remote driver installations require inter-connected wiring between the LED and driver (by others). Drivers have specific wiring requirements between these components. Driver manufacturers regularly recommend the following wiring details for such installations:

- Do not exceed 50 foot overall wiring distance using 12 gauge copper wire.

Failure to comply with specific wiring requirements will void product warranty.

DRIVER ELECTRICAL DATA

TYPE	AC INPUT RANGE	Frequency Hz	DIMMING	POWER FACTOR	THD	OPER. AMBIENT TEMPERATURE	DIMMER TYPE	DIMMER RANGE
D15	120/208/240/277	50/60	NO	>0.92	≤20%	-30° C ~ 50°C	—	—
D15INC	120	50/60	YES	>0.96	≤20%	-30° C ~ 60°C	Incandescent	10-100%
D25	120/208/240/277	50/60	NO	>0.92	≤20%	-30° C ~ 50°C	—	—
D25INC	120	50/60	YES	>0.96	≤20%	-30° C ~ 60°C	Incandescent	10-100%

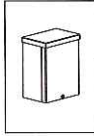
B-K LIGHTING

40429 Brickyard Drive • Madera, CA 93636 • USA
559.438.5800 • FAX 559.438.5900
www.bklighting.com • info@bklighting.com

SUBMITTAL DATE
12-21-12

DRAWING NUMBER
SUB001124

THIS DOCUMENT CONTAINS PROPRIETARY INFORMATION OF B-K LIGHTING, INC. AND ITS RECEIPT OR POSSESSION DOES NOT CONVEY ANY RIGHTS TO REPRODUCE, DISCLOSE ITS CONTENTS, OR TO MANUFACTURE, USE OR SELL ANYTHING IT MAY DESCRIBE. REPRODUCTION, DISCLOSURE OR USE WITHOUT SPECIFIC WRITTEN AUTHORIZATION OF B-K LIGHTING, INC. IS STRICTLY FORBIDDEN.



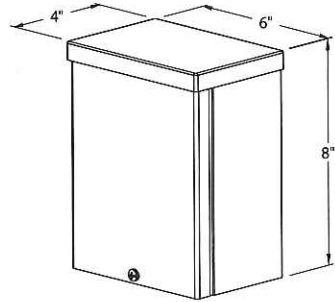
Constant Current Driver



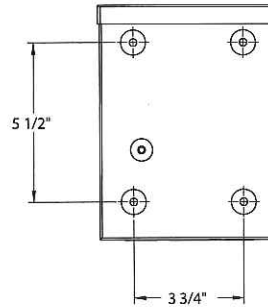
NEMA 3R Remote Driver Housing

PROJECT:	
TYPE:	

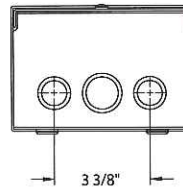
SIDE VIEW



BACK VIEW



END VIEW



SPECIFICATIONS

GreenSource Initiative™

Metal and packaging components are made from recycled materials. Manufactured using renewable solar energy, produced onsite. Returnable to manufacturer at end of life to ensure cradle-to-cradle handling. Packaging contains no chlorofluorocarbons (CFC's). Use of this product may qualify for GreenSource efficacy and recycling rebate(s). Consult www.bklighting.com/greensource for program requirements.

Installation

Nema 3R, surface mount design. For use with remote fixture (specified separately).

Housing

Steel construction with screw cover. Front access for ease of installation and inspection. (2) bottom entry, 3/4" conduit knockouts.

Wiring / Connectors

Teflon® coated wire, 18 gauge, 600V, 250°C rated and certified to UL1659 standard. Pre-wired and labeled terminal strip.

Driver

[1] 700mA, Class A, constant current driver. 120-277VAC (nominal) primary input voltage. 50/60Hz. >0.90 Power Factor, <15.0A in-rush current, ≤20%THD (nominal at 120VAC full load). Output over-voltage, over-current, and short circuit protection with auto recovery. EMC: FCC47CFR Part 15 Class B compliant.

Dimming driver for use with standard incandescent dimmers. 10-100% range.

Finish

StarGuard®, our exclusive RoHS compliant, 15 stage chromate-free process cleans and conversion coats aluminum components prior to application of Class 'A' TGIC polyester powder coating.

Warranty

5 year limited warranty.

Listings

NEMA 3R Enclosure. ETL Listed to ANSI/UL Standard 50/50E and Certified to CAN/CSA Standard C22.2 No. 94.1/94.2. RoHS compliant. Made in USA.



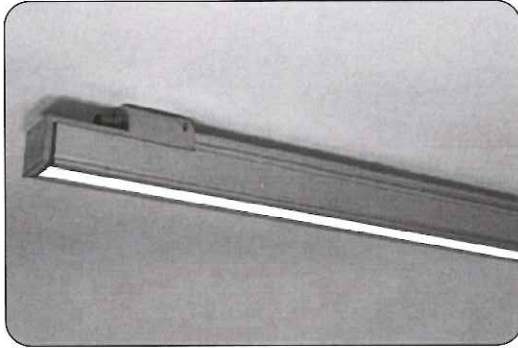
©Teflon is a registered trademark of DuPont Corporation.

B-K LIGHTING

40429 Brickyard Drive • Madera, CA 93636 • USA
559.438.5800 • FAX 559.438.5800
www.bklighting.com • info@bklighting.com

SUBMITTAL DATE
12-21-12

DRAWING NUMBER
SUB001124



PROJECT NAME :

LUMINAIRE TYPE :

L140W LumiLine | Wet

Construction:

- Extruded aluminum housing with satin anodized finish
- Low profile design with lengths ranging from 20" to 50"
- Proprietary optics are UV stable and optimized for transmission
- Numerous stainless steel and aluminum mounting solutions

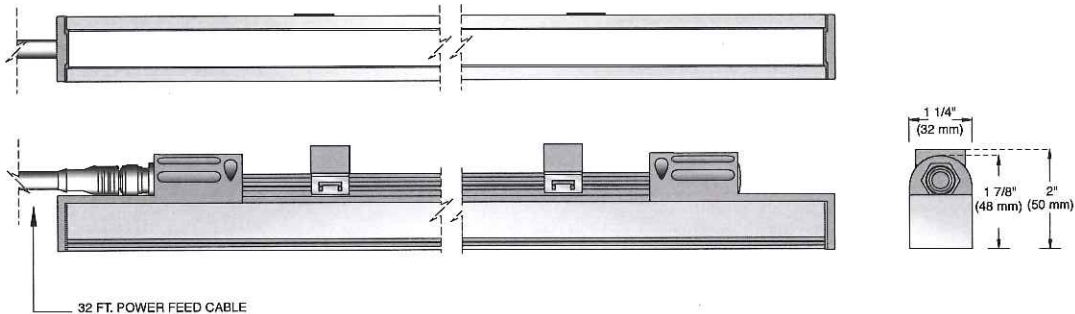
Electrical:

- Dimmable, high flux LEDs available in either 3000K or 4000K
- Solid state low voltage luminaires powered with 24V DC
- Electronic power supplies can be remotely mounted up to 32' **
- UL listed for wet locations: IP65 rating

Performance:

- Average rated LED life of 50,000 hours @ 70% lumen output*
- IES files can be downloaded at www.electrix.com
- All values below are based on initial lumens per foot

Output	Watts/Ft	3000K white	4000K white
Standard	5 watts/ft	258 lumens/ft	308 lumens/ft
High	10 watts/ft	516 lumens/ft	617 lumens/ft



* To ensure proper performance, ambient temperature around luminaire should not exceed 140F. Architectural details should include ventilation around fixture.
** If EMI is a consideration, recommended remote driver distance is 15'



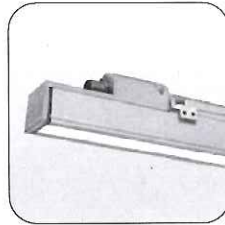


MOUNTING OPTIONS:

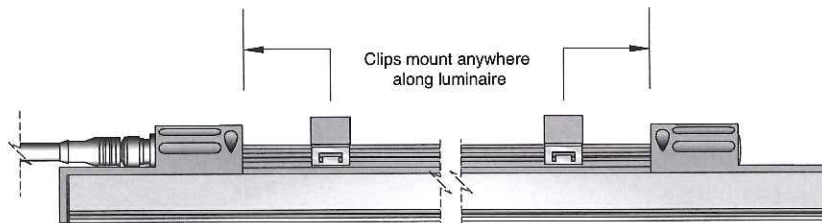
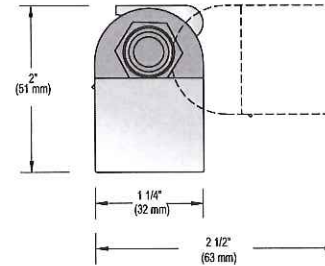
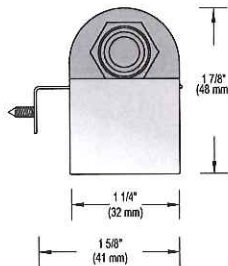
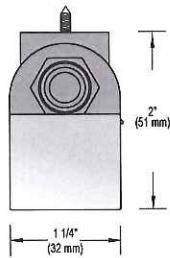
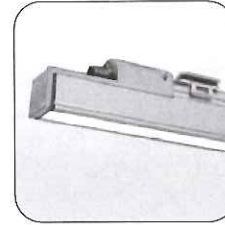
Horizontal
Mount



Vertical
Mount



Swivel
Mount



The L140W series is UL listed for wet locations. The fixture was designed for exterior down light applications with minimal space limits. The L140W is not submersible and should not be mounted in conditions where standing water will collect on the lens.





PRODUCT INFORMATION:

L140W
PRODUCT

POWER

05 - 5 watts
per linear ft

10 - 10 watts
per linear ft

LENGTH

20 - 20 3/4" actual
30 - 30 3/4" actual
40 - 40 3/4" actual
50 - 50 3/4" actual

LED COLOR

W3 - 3000K White
W4 - 4000K White

OPTIC

05 - 5 degree

60M - 60 degree lens
with micro glare
control louver

60C - 60 degree
Clear Lens

90F - 90 degree lens
with satine diffuser
(92% Transm.)

MOUNT

HW - Horizontal Mount Wet
V - Vertical Mount
S - Swivel

POWER CABLE ACCESSORIES:

LEADER FEED CABLE:



LFC-S32: 32 ft. primary feed cable
with straight connector.
One required per LED feed.

LEADER FEED CABLE:



LFC-A32: 32 ft. primary feed cable
with right angle connector.



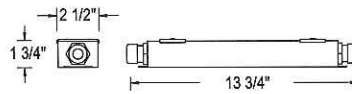


LED POWER SUPPLIES - WET LOCATION

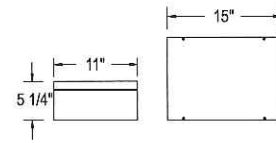
96W MAX POWER SUPPLY

- wattage output: 1W (min) to 96W (max)
- input voltage: 120V-277V AC output voltage: 24V DC
- maximum remote driver distance is 32'. **
- dimming driver requires a 0-10V control interface (by others)¹
- IP65 rating

MODEL: PS96-W



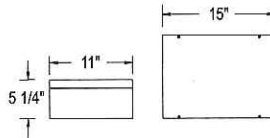
MODEL: PS96D-W dimmable



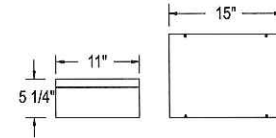
288W MAX POWER SUPPLY

- wattage output: three (3) 96W channels
- input voltage: 120V-277V AC output voltage: 24V DC
- maximum remote driver distance is 32'. **
- dimming driver requires a 0-10V control interface (by others)¹
- IP65 rating

MODEL: PS288-W



MODEL: PS288D-W dimmable



** The remote mounting distance may be exceeded. However, precaution for site condition of electromagnetic interference (EMI) and voltage drop must be considered.

¹ Contact the factory for dimming wire diagram



VX200/F22

Box mount, die cast aluminum with built-in junction box and sturdy mounting lugs. Medium base socket, 1/2" or 3/4" NPS hub size and a variety of globes, incandescent lamp A21 for 100 Series, PS25 for 200 Series. Lamp not supplied. CFL: 13 & 22 watt lamp supplied.

Color: Natural

Weight: 4.3 lbs

Lamp Info

Type: 22W Quad
Watts: 22W
Shape/Size: N/A
Base: N/A
ANSI: N/A
Hours: 10,000
Lamp Lumens: 1,200
Efficacy: 48 LPW

Ballast Info

Type: NPF 120V
120V: 0.45
208V: 0
240V: N/A
277V: N/A
Input Watts: 25W
Efficiency: 88%

Technical Specifications

UL Listing:

Suitable for wet locations. Suitable for use in dwellings. Suitable for use with 90°C supply wiring. Complies with UL Standard 1598. For non-hazardous locations where the lamp, socket and wiring require protection from rain, corrosive fumes, non-combustible dusts, moisture, non-explosive vapors and gases. For lamp base up installation only when outdoors.

Globes:

Supplied with clear thermal shock resistant soda lime glass unless otherwise stated. Colored and white glass globes available. Unbreakable Permaglobes available in clear and in color.

No Guard Supplied:

Maximum Watts:

300 watts .

Colored Globe Maximum Watts:

200 watts .

F22:

Compact Fluorescent 22W.

Patents:

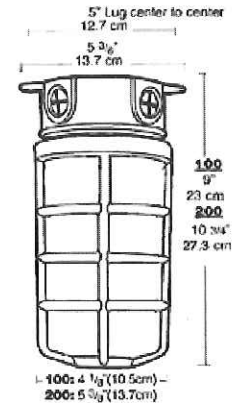
RAB sensor and fixture designs are protected under U.S. and International Intellectual Property laws.

Ballast Minimum Starting Temperature:

-20°F.

Country of Origin:

Designed by RAB in New Jersey and assembled in the USA by RAB's IBEW Local 3 workers.



Buy American Act Compliant:

This product is a COTS item manufactured in the United States, and is compliant with the Buy American Act.

Recovery Act (ARRA) Compliant:

This product complies with the 52.225-21 "Required Use of American Iron, Steel, and Manufactured Goods-- Buy American Act-- Construction Materials (October 2010).

Trade Agreements Act Compliant:

This product is a COTS item manufactured in the United States, and is compliant with the Trade Agreements Act.

GSA Schedule:

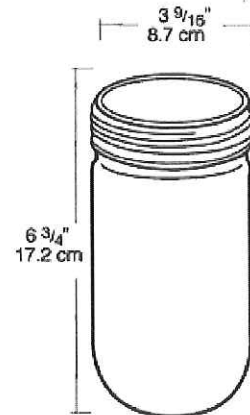
Suitable in accordance with FAR Subpart 25.4.

GL100

Threaded glass globes fit RAB and other standard Vaporproof fixtures and Lawn Lights

Color: Clear

Weight: 1.1 lbs



Technical Specifications

UL Listing:

Suitable for wet locations when used with Vaporproof fixtures. Suitable for dry, damp or wet locations when used as replacement globes for listed fixtures. Fixtures must be installed with lamp base up when outdoors.

Glass Globes:

Clear thermal shock resistant soda lime glass standard.

Maximum Wattage:

150 watts

Patents:

RAB sensor and fixture designs are protected under U.S. and International Intellectual Property laws.

Country of Origin:

Designed by RAB in New Jersey and assembled in Taiwan.

Trade Agreements Act Compliant:

This product is a product of Taiwan and a "designated country" end product that complies with the Trade Agreements Act.

GSA Schedule:

Suitable in accordance with FAR Subpart 25.4.

GD100CL

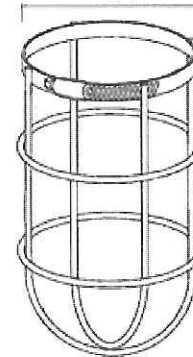
Flat or round bottom wire clamp guard made of No. 8 gauge steel rod welded to a clamping band. Guard is protected from corrosion by a baked silver gray polyester powder finish.

Color: Silver gray

Weight: 0.4 lbs



100w: 4" (10.2cm)
200w: 5 3/8" (13.7cm)



100w
7 1/2"
19 cm
200w
9"
22.9 cm

Technical Specifications

UL Listing:

Suitable for wet locations when used with RAB Vapor proof fixtures.

Die Cast Guards:

One pieced die cast aluminum. Set screw locks guard in place. Also a wire clamp guard is available.

Wire Clamp Guards:

No. 8 gauge steel wire rod welded to clamping band with captive clamping screw.

Patents:

RAB sensor and fixture designs are protected under U.S. and International Intellectual Property laws.

Country of Origin:

Designed by RAB in New Jersey and assembled in Taiwan.

Trade Agreements Act Compliant:

This product is a product of Taiwan and a "designated country" end product that complies with the Trade Agreements Act.

GSA Schedule:

Suitable in accordance with FAR Subpart 25.4.