

BOILER REPLACEMENT RENOVATIONS
PORTLAND PRESS HERALD
BLETHEN MAINE PAPERS
390 CONGRESS STREET
PORTLAND, MAINE
04104

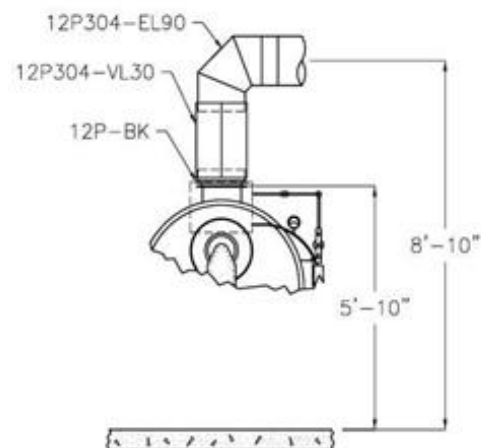
Drawing Title:
BREACHING DETAIL

Scale: None

November 7, 2005

NMC # 398491

M-3



Boiler Riser

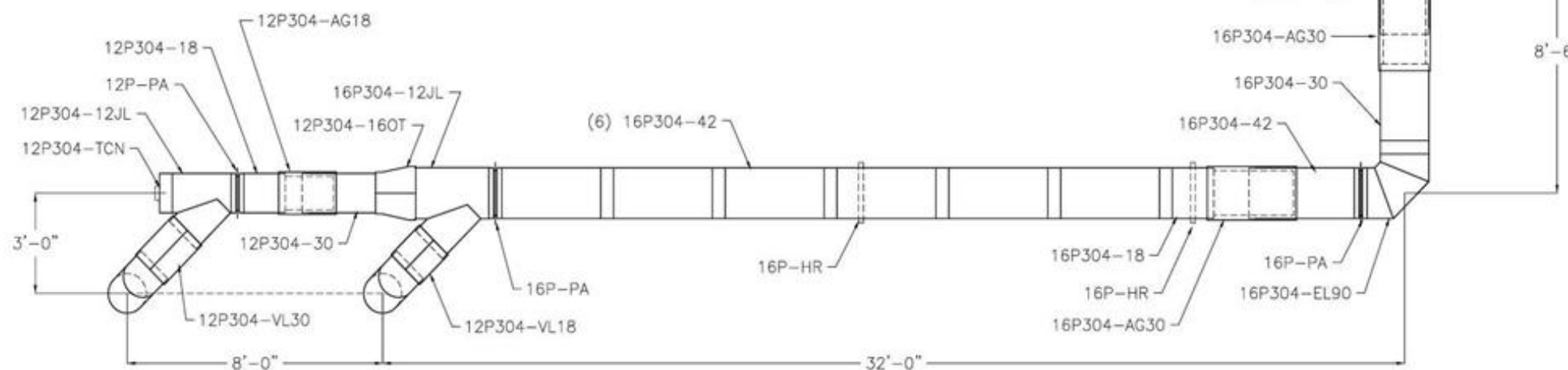
TYPICAL FOR TWO (2)

General Notes

1. Verify all Dimensions before Releasing for Fabrication.
2. All PA's and/or WA,WG,FR,HR or FG's to be Supported by the Installing Contractor.
3. All Drain Lines are Supplied by the Installing Contractor.
4. All Connections to Receive P-600 (LOW TEMP) Sealant. Outer Bands & Collars Exposed to Weather Also to be Sealed with P-600 Sealant.
5. See " Model PS/IPS Boiler Stack & Engine Exhaust Installation Instructions #8 " for Correct Installation Methods.

WARNING:

Diameter(s) shown on this drawing have not been verified by Selkirk Metalbestos.



Plan View

MATERIAL TYPE

MODEL : PS

INSULATION : 1" AIR SPACE

INNER : 304-STAINLESS STEEL

OUTER : ALUMINIZED STEEL



COMMERCIAL / INDUSTRIAL OPERATIONS

SCALE: 1/4"=1'-0"	DATE
DR BY: <i>HP</i>	10/13/05
CK BY:	

Portland Press Herald
Northeast Mechanical

Drawing No.
B4605L733
Sheet No.
1 of 1