

**BOILER REPLACEMENT
RENOVATIONS**
590 CONGRESS STREET
PORTLAND, MAINE
04104

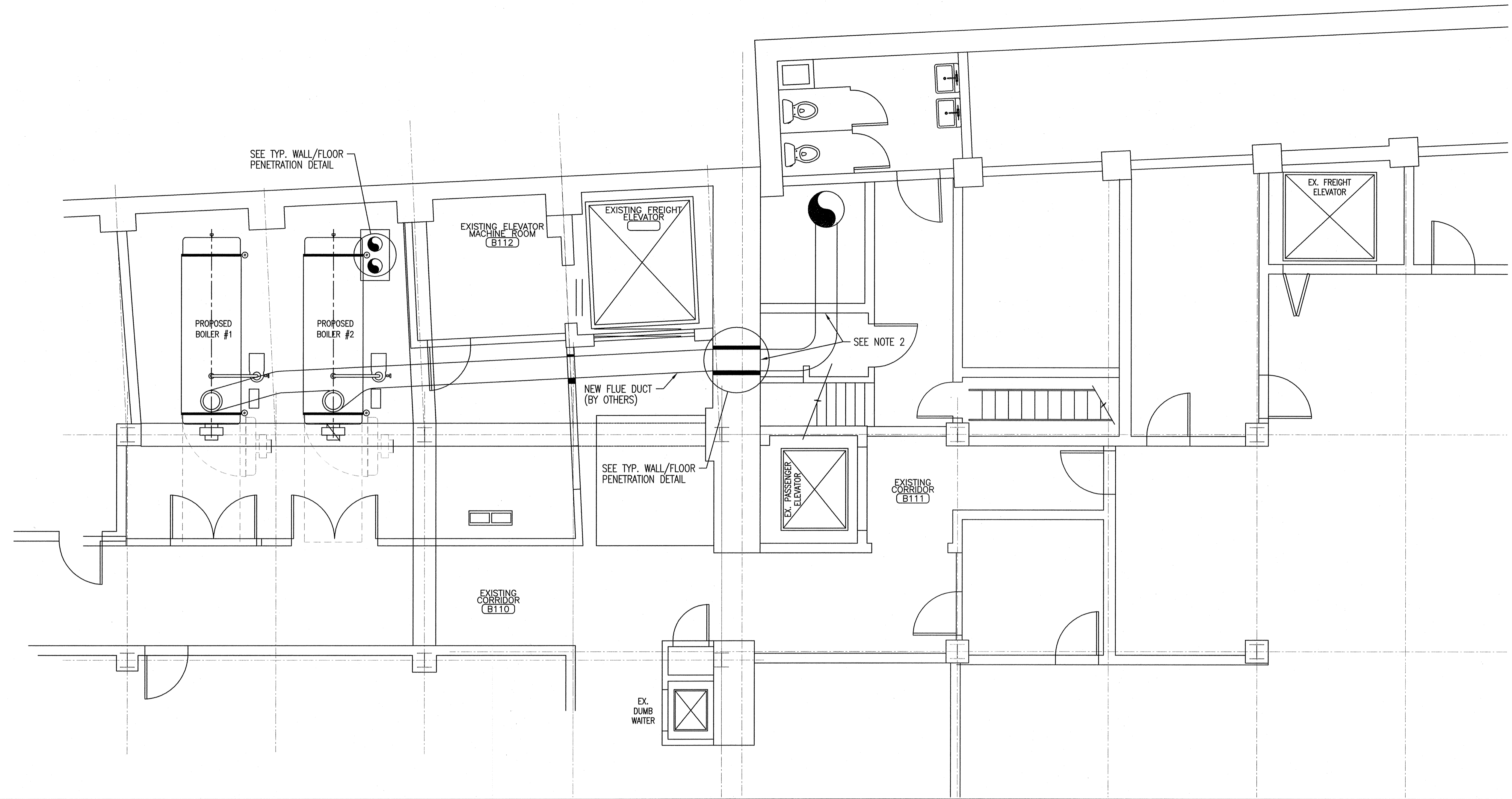
**BLETHEN MAINE
PAPERS**
PO BOX 1460
PORTLAND, MAINE
04107
(207) 828-8125

Owner:

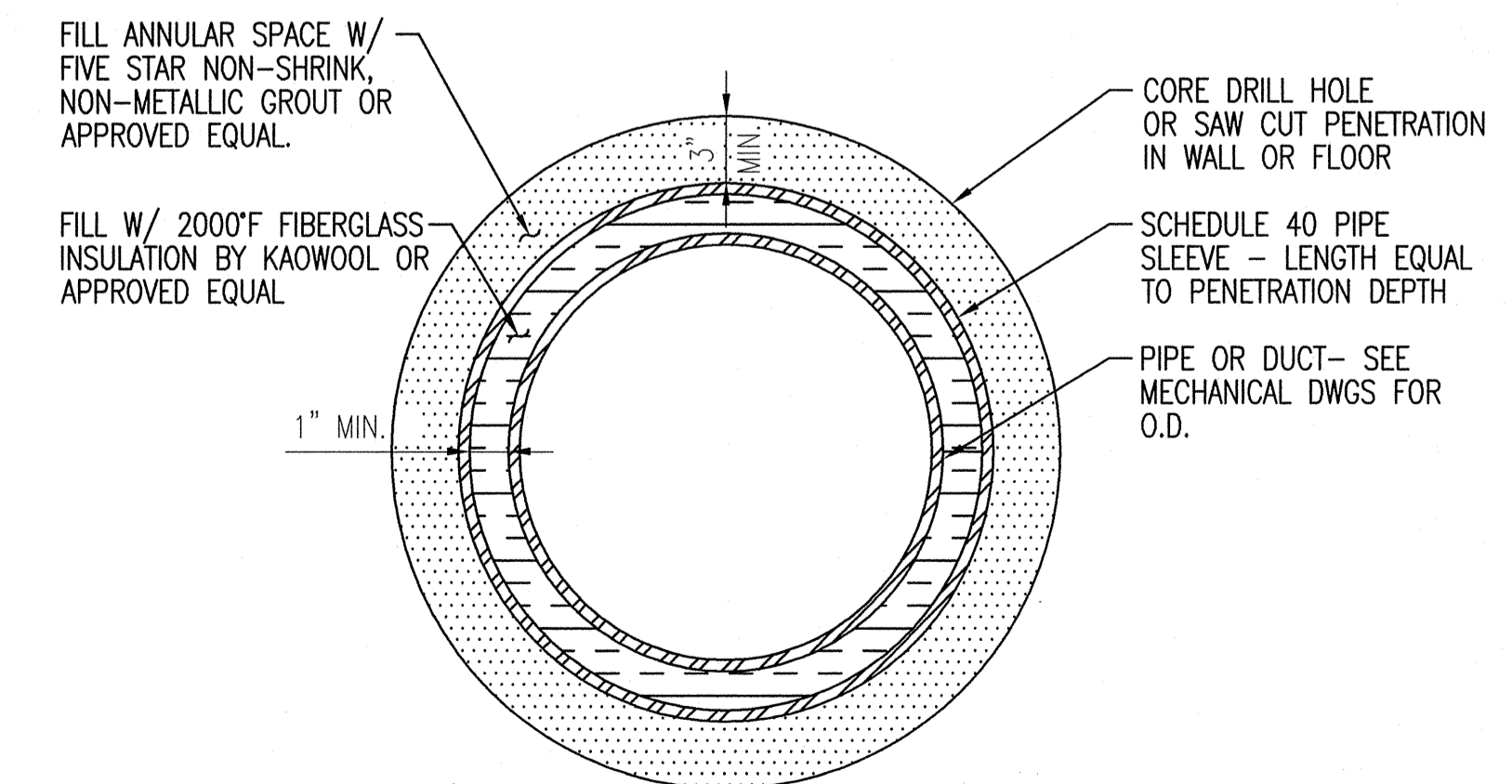
Revision	Description	Date
1	FOR PERMITTING	11/09/09

Drawing Title:	FLOOR AND WALL PENETRATIONS PLAN & DETAILS
Scale:	1/4" = 1'-0"
Date:	11/09/09
NGI Proj. No.:	255815001

Drawing Number:
C1.1



A PENETRATION PLAN SCALE: 1/4" = 1'-0"



- NOTES:**
1. CONTRACTOR TO REVIEW CORE DRILL OR SAW CUT WORK AREAS FOR INTERFERENCES PRIOR TO DEMOLITION.
 2. CONTRACTOR SHALL PROVIDE TEMPORARY OVERHEAD LINTEL FOR CORE DRILL OR SAW CUT AREAS AFFECTING BRICK WALLS.

B TYPICAL WALL/FLOOR PENETRATION DETAIL SCALE: 1 1/2" = 1'-0"