

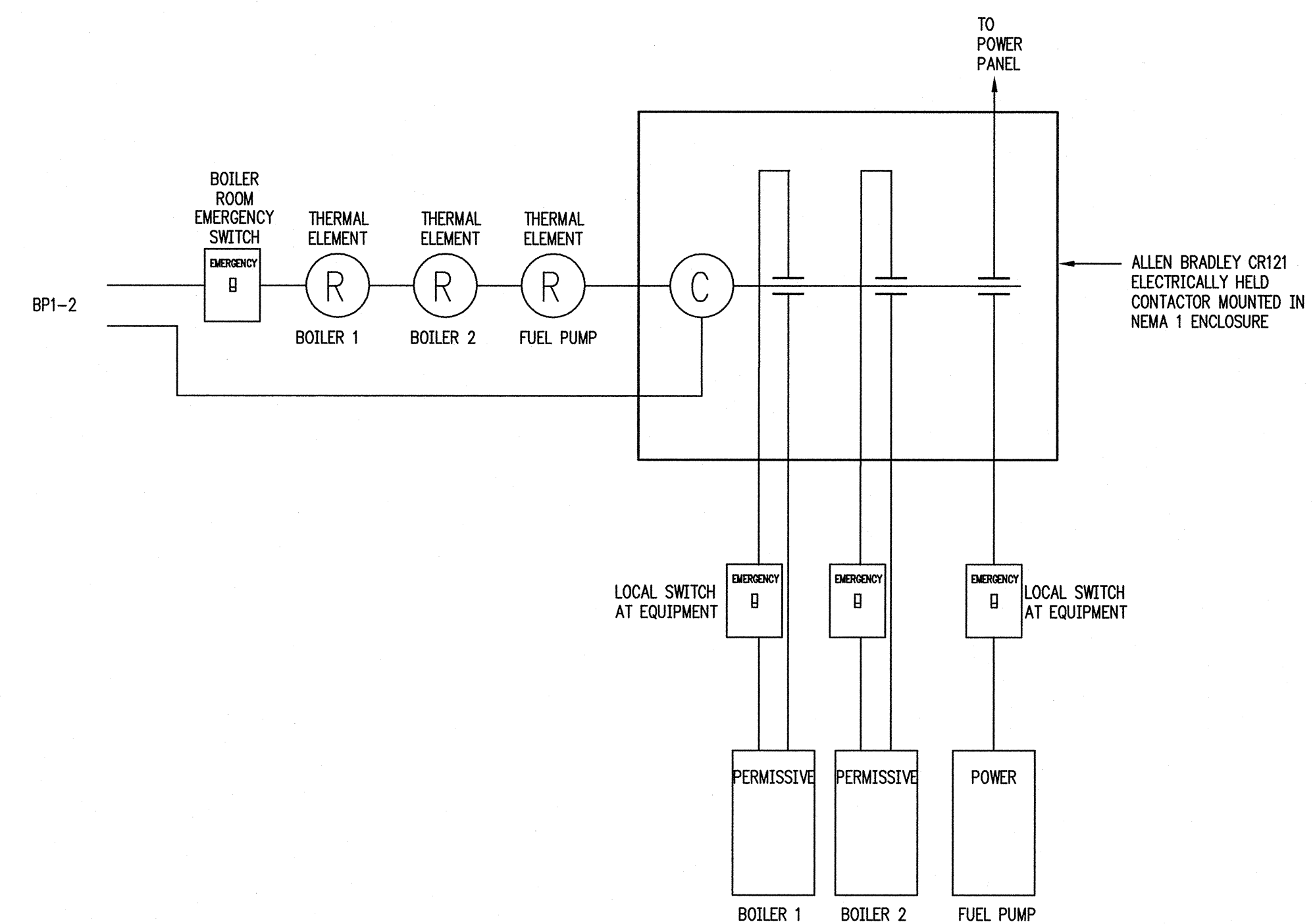
**A** NEW WORK LIGHTING PLAN

SCALE: 1/4" = 1'-0"

PANEL BP-1		MOUNTING VOLTAGE		SURFACE 120/208, 3PH., 4W		125 AMPS BUS RATING 22,000 AIC	
CKT. NO.	DESCRIPTION	VA	BKR. SIZE	A	B	C	CKT. NO.
1							2
3	BOILER #1	5580	30				4
5							6
7	BOILER #2	5580	30				8
9							10
11							12
13							14
15	BOILER FEED PUMPS	2318	20				16
17							18
19	SPARE		20				20
21	BOILER OIL TANK MONITOR	500	20				22
23	SPARE		20				24
25							26
27	BOILER COMBUSTION AIR FAN	1656	20				28
29							30
31							32
33	BOILER CONDENSATE LIFT PUMPS	1260	20				34
35							36
37							38
39							40
41							42
PANEL LOCATION BOILER ROOM				S/N			
				6551		TOTAL VA PHASE A	
				6141		TOTAL VA PHASE B	
				6209		TOTAL VA PHASE C	
				18901		TOTAL LOAD 52 AMPS	

**B** PANEL SCHEDULE

SCALE: NONE



**C** BOILER/FUEL PUMP CUTOFF RELAY DETAIL

SCALE: NONE

REFERENCED FROM: E1.1

Owner:

REVISIONS:

Description

Drawing Title:  
**LIGHTING PLAN &  
ELECTRICAL  
DETAILS**

Scale: 1/4" = 1'-0"  
Date: FOR PERMIT 11/15/05  
NA Proj. No.: 2558E001

Drawing Number:

**E1.2**