

□ PRELIMINARY - NOT FOR CONSTRUCTION
 ■ APPROVED FOR CONSTRUCTION
 □ SUPERSEDES ALL PREVIOUS ISSUES
 BY: *[Signature]* DATE: 11-5-2007

DWG. NO.	TITLE	BY
	REFERENCE DRAWINGS	

NOTES:
 1. FOR GENERAL AND STEEL NOTES SEE DRAWING D-3008.

LEGEND:
 (L3x3) - EXISTING STEEL MEMBER
 F.V. - FIELD VERIFY

Released For Construction
 Date: Nov 05, 2005

REV.	ISSUED TO	CONSTRUCTION
0		

THIS DRAWING IS THE PROPERTY OF NEILL AND GUNTER INCORPORATED AND IS TO BE USED ONLY FOR THE SPECIFIC PROJECT IDENTIFIED ON THE DRAWING. NO REVISIONS SHALL BE MADE WITHOUT THE EXPRESSED WRITTEN CONSENT OF NEILL AND GUNTER INCORPORATED.

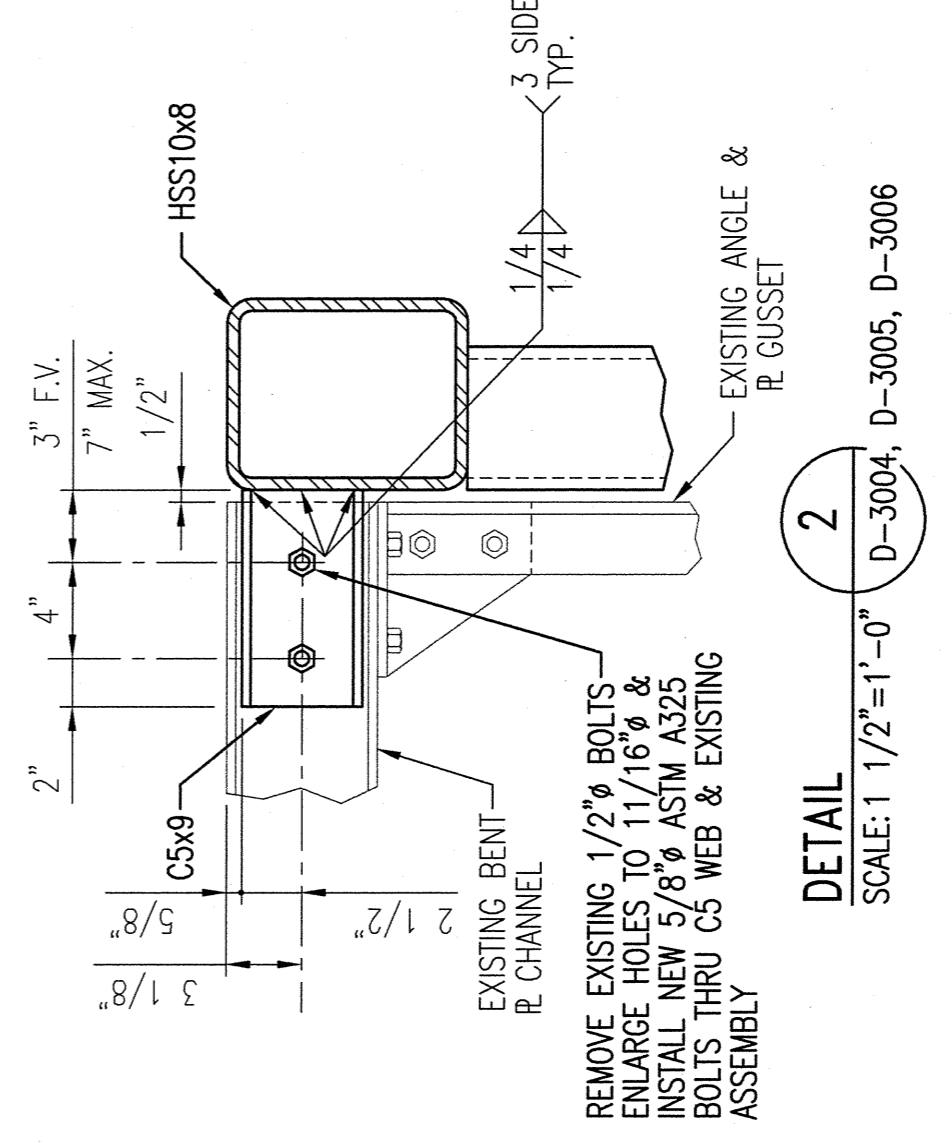
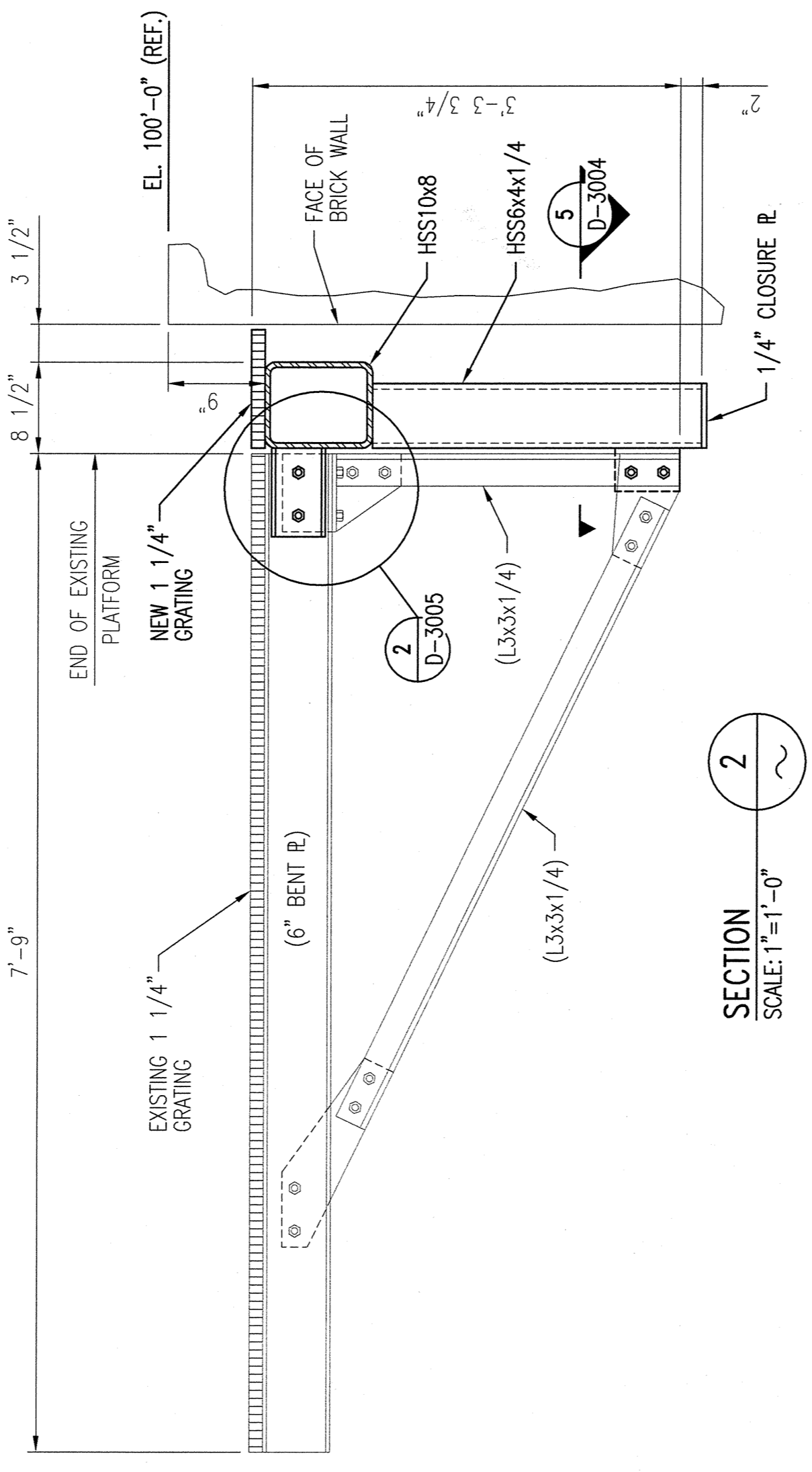
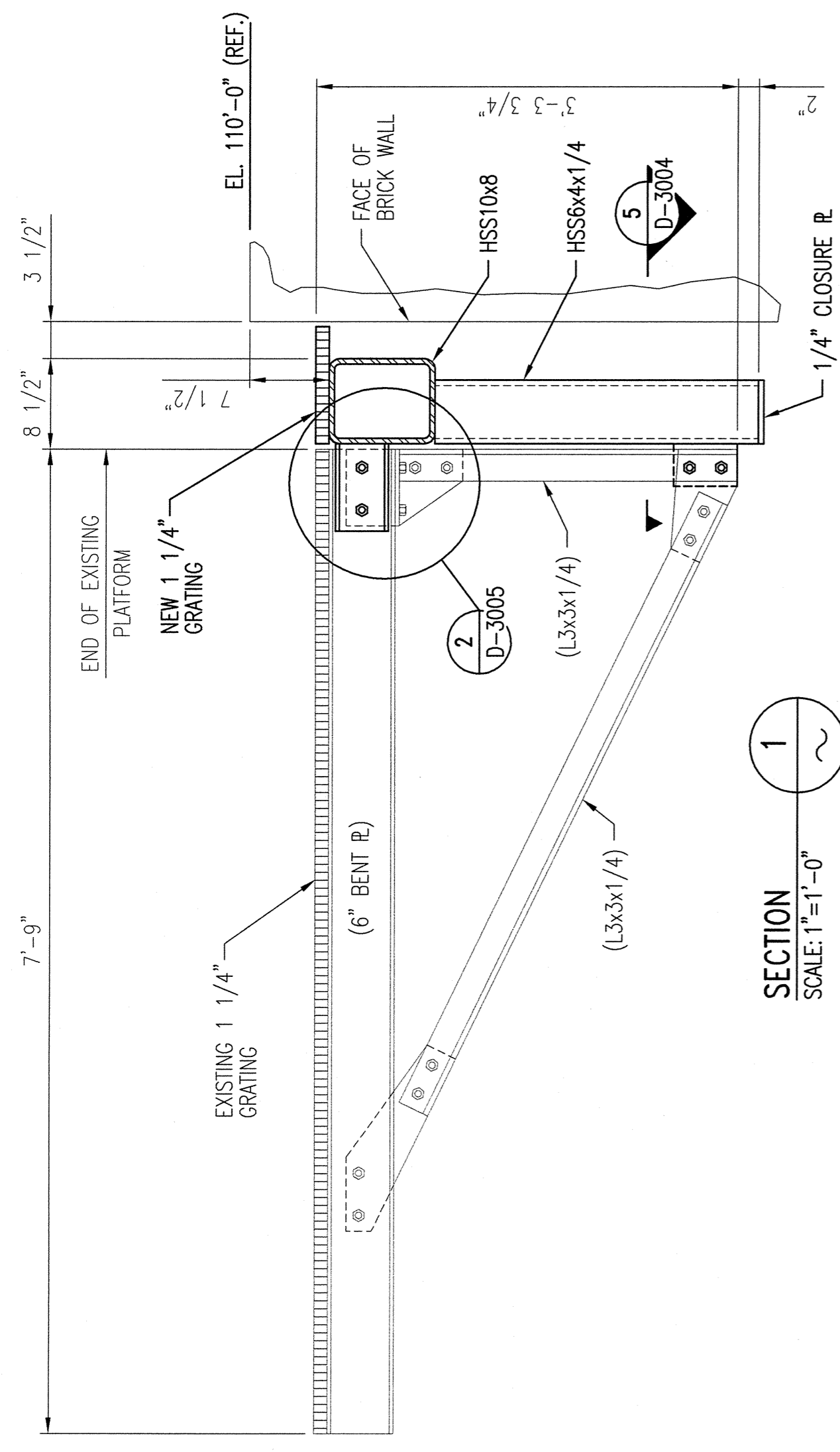
NO.	DATE	BY	REVISIONS	CKD.

Neill and Gunter

PORTLAND PRESS HERALD
 CONGRESS STREET OFFICE BUILDING

FIRE ESCAPE MAINTENANCE
 FIRE ESCAPE NEW BLDG. SUPPORT
 LEVELS 4 & 5
 PLANS & SECTIONS

JOB NO. 25216 DWG. NO. D-3005



REMOVE EXISTING 1/2" BOLTS ENLARGE HOLES TO 11/16" & INSTALL NEW 5/8" ASTM A325 BOLTS THRU C5 WEB & EXISTING ASSEMBLY

WELD EXISTING GROOVE AT WEB PLATE, PLATE & ANGLE COLUMNS (15' MIN.)

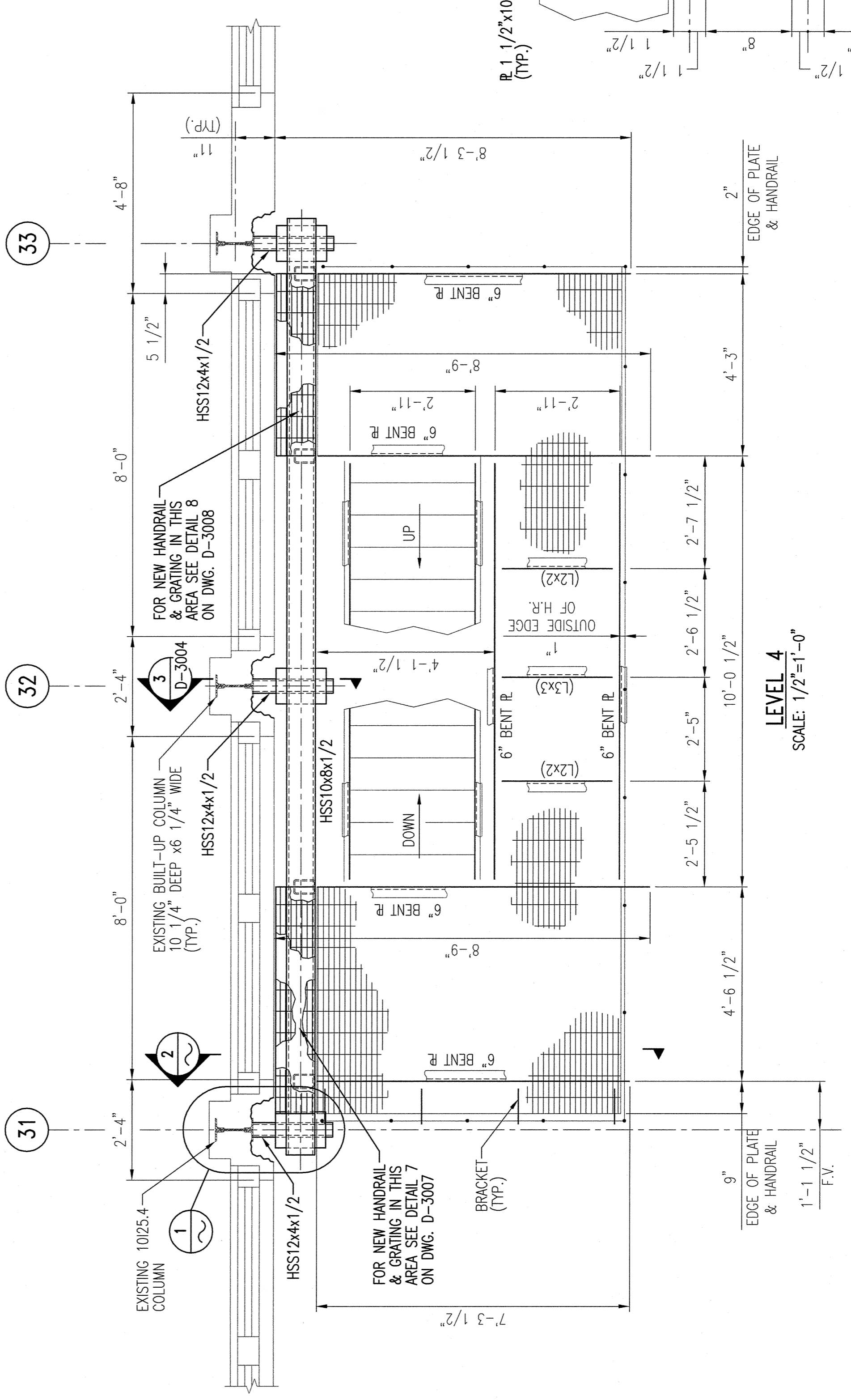
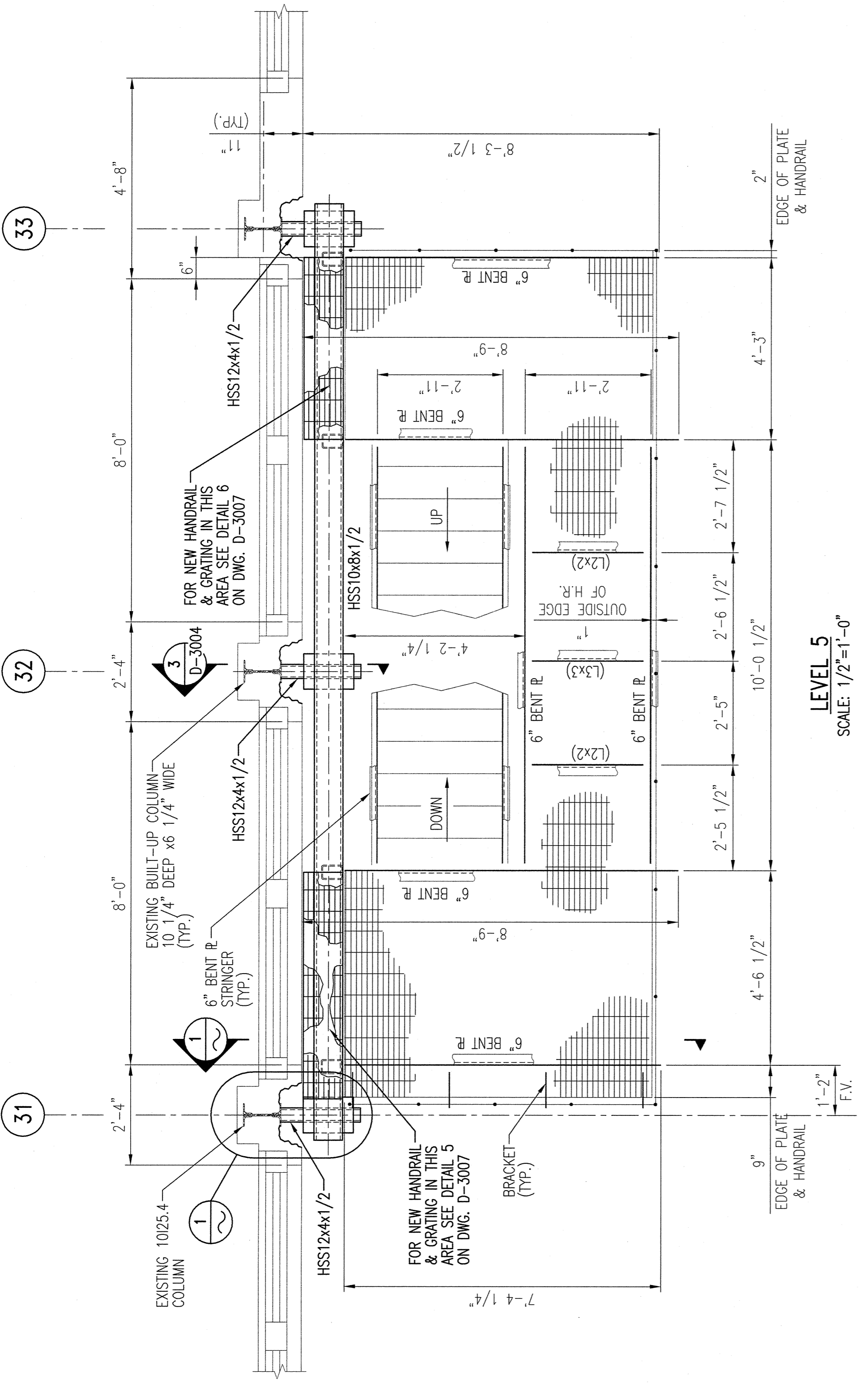
15/16"x1 1/8" SHORT SLOTTED HOLES FOR 7/8" A325 BOLTS (TYP.) HOLES IN TOP PLATE PARALLEL TO HSS10x8 & HOLES IN BOTTOM PLATE PERPENDICULAR TO HSS10x8

EXISTING ANGLE & R. GUSSET

3 SIDES TYP.

SCALE: 1 1/2"=1'-0"
 D-3004, D-3005, D-3006

DETAIL 1
 SCALE: 1 1/2"=1'-0"
 D-3004, D-3005, D-3006



THIS IS AN AUTOCAD FILE TO PRODUCE A SCALEABLE DRAWING. IT MUST BE PLOTTED AT THE INTENDED SCALE.

