

**GAYLORD AUTOSTART NOTES**

- A) TEMPERATURE SENSING THERMOSTATS (TST) INSTALLED IN HOOD
- B) "TST" - PRESET TO 90°F AT FACTORY
- C) IN SOME CLIMATES AND/OR CONDITIONS, IT MAY BE NECESSARY TO ADJUST THE "TST" TEMPERATURE SETTING IN THE FIELD BY OTHERS
- D) DRY CONTACTS EF1 & EF2, MAY BE WIRED TO 24V TO 220VAC CONTACTS

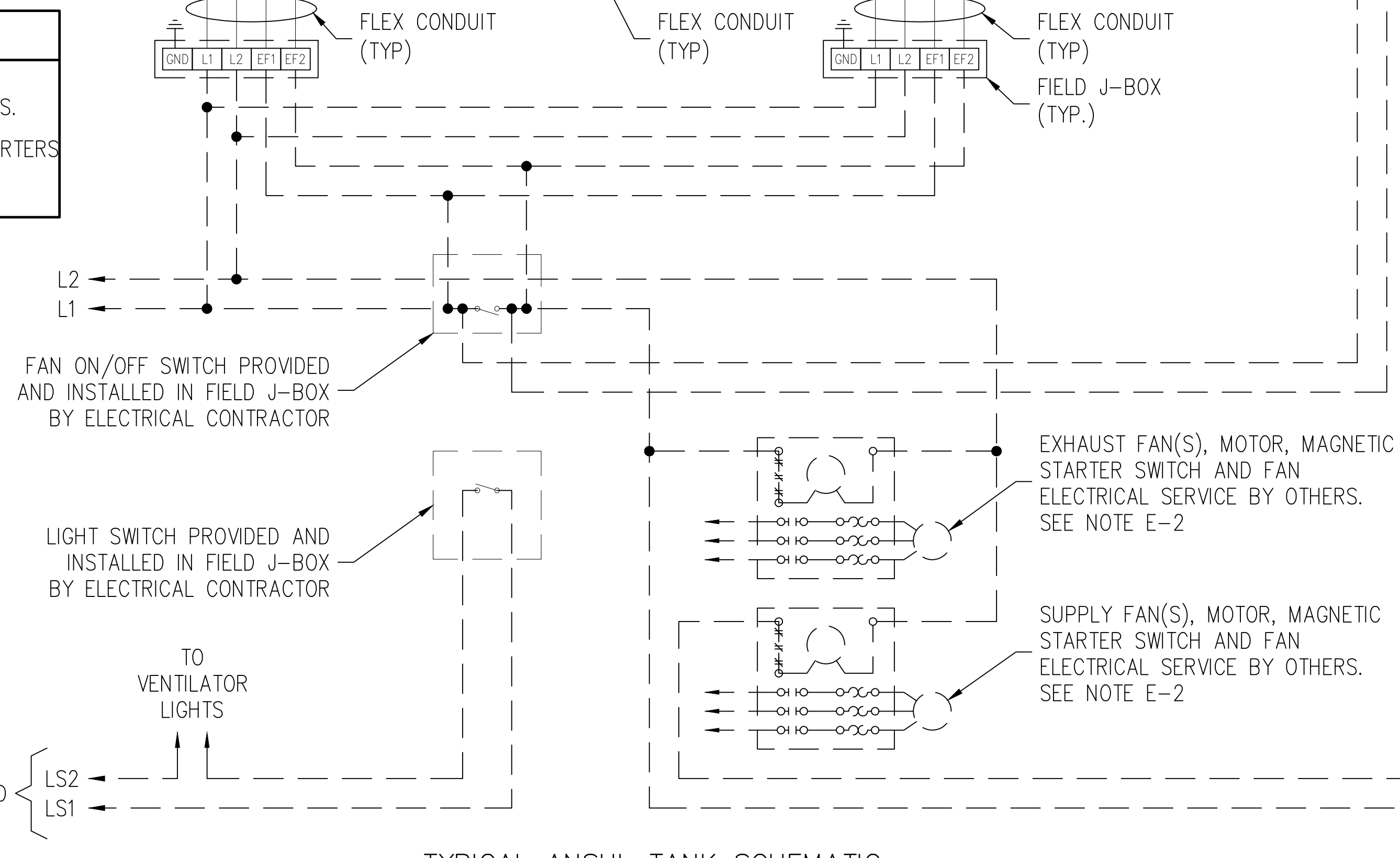
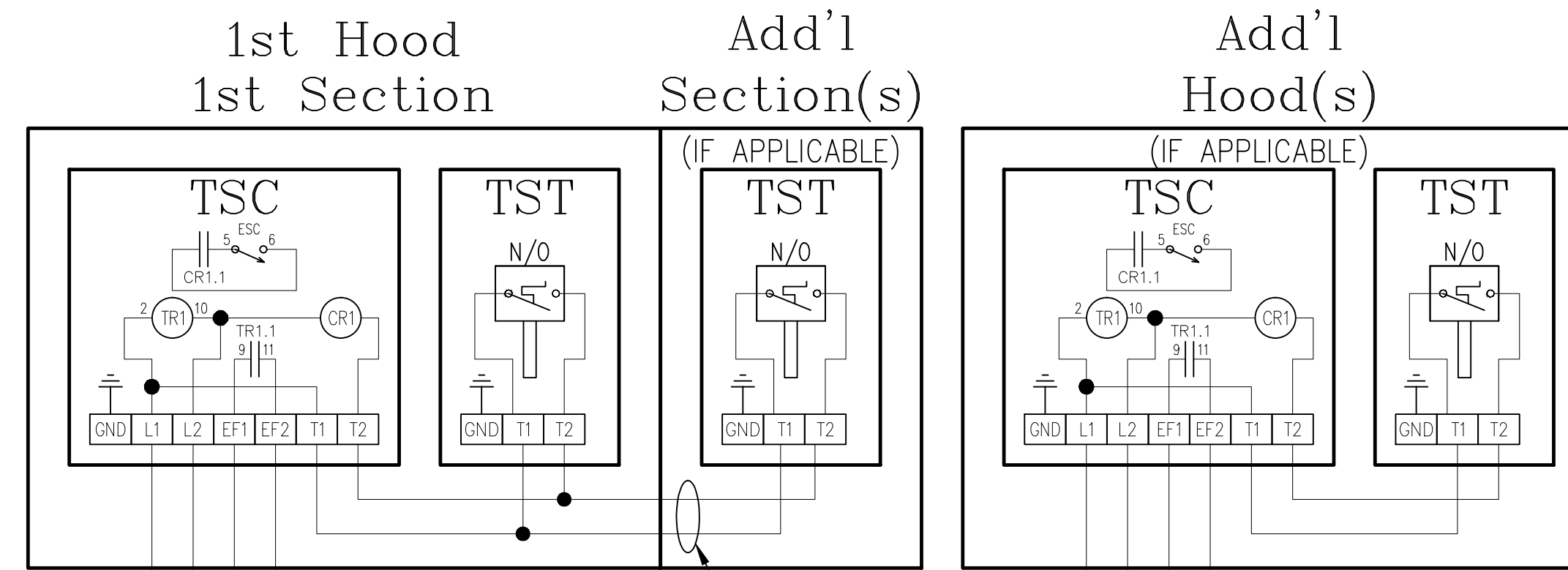
**WIRING NOTES**

- E-1) ALL EXTERNAL CONTROL WIRING SHALL BE 12 GAUGE MINIMUM OR AS PER APPLICABLE CODES.
- E-2) THE HOLDING COILS WITHIN THE MAGNETIC STARTERS MUST MATCH THE SUPPLY VOLTAGE. MAGNETIC STARTERS ARE SUPPLIED BY OTHERS.

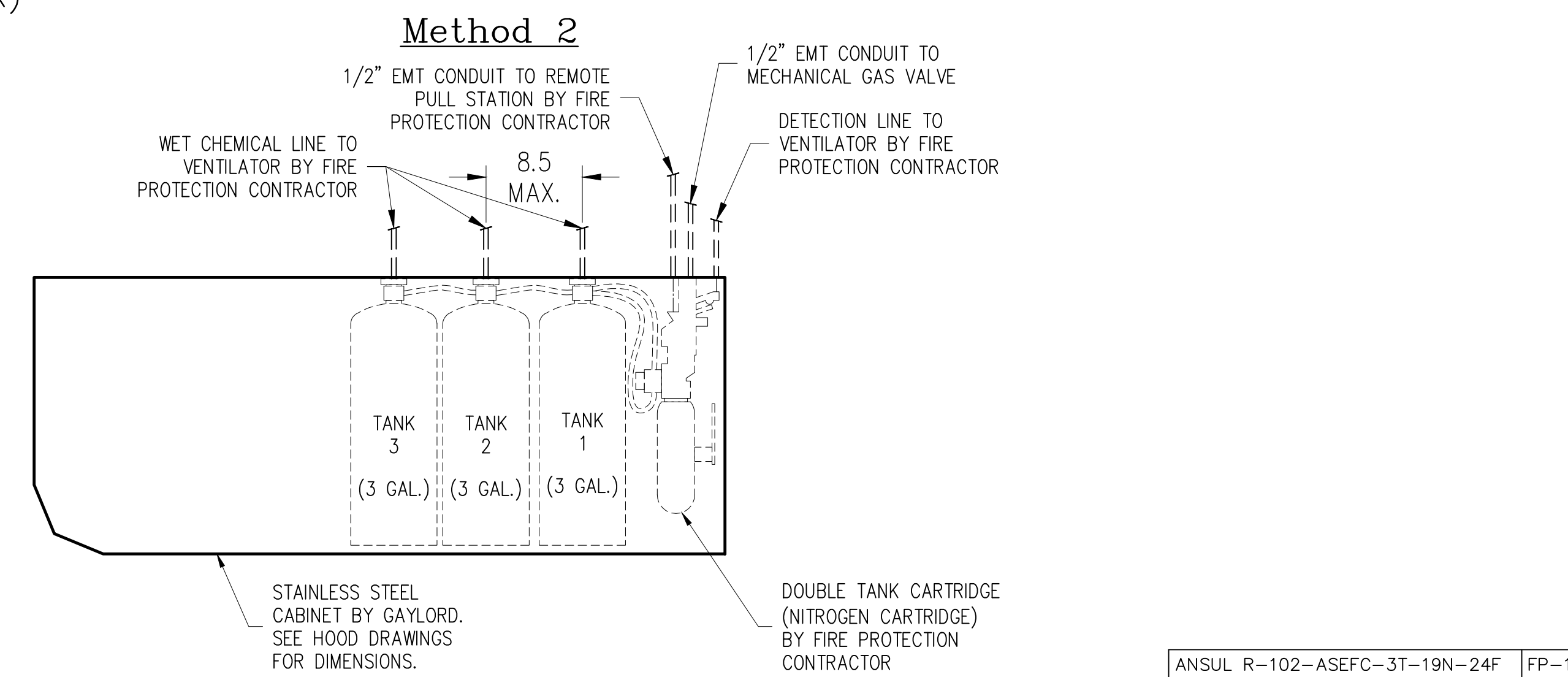
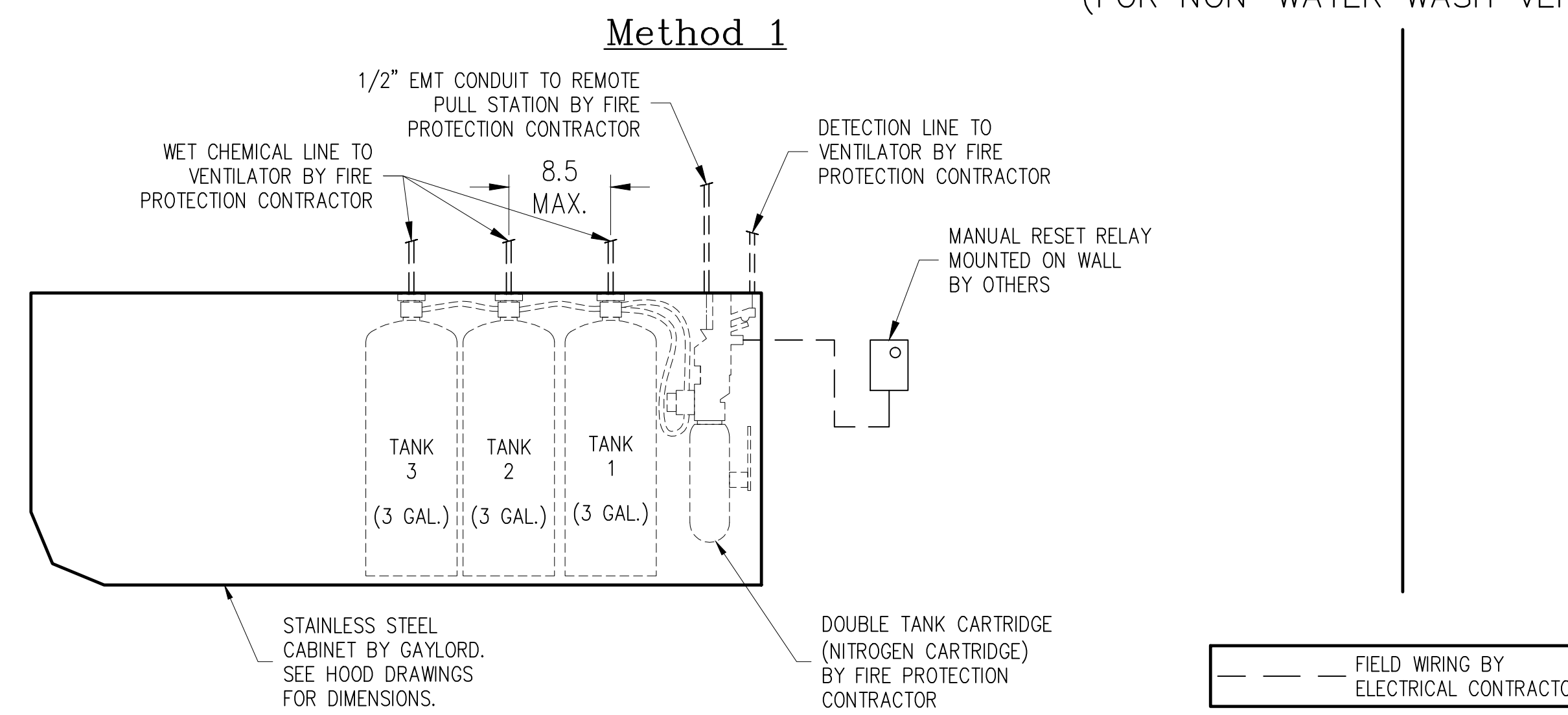
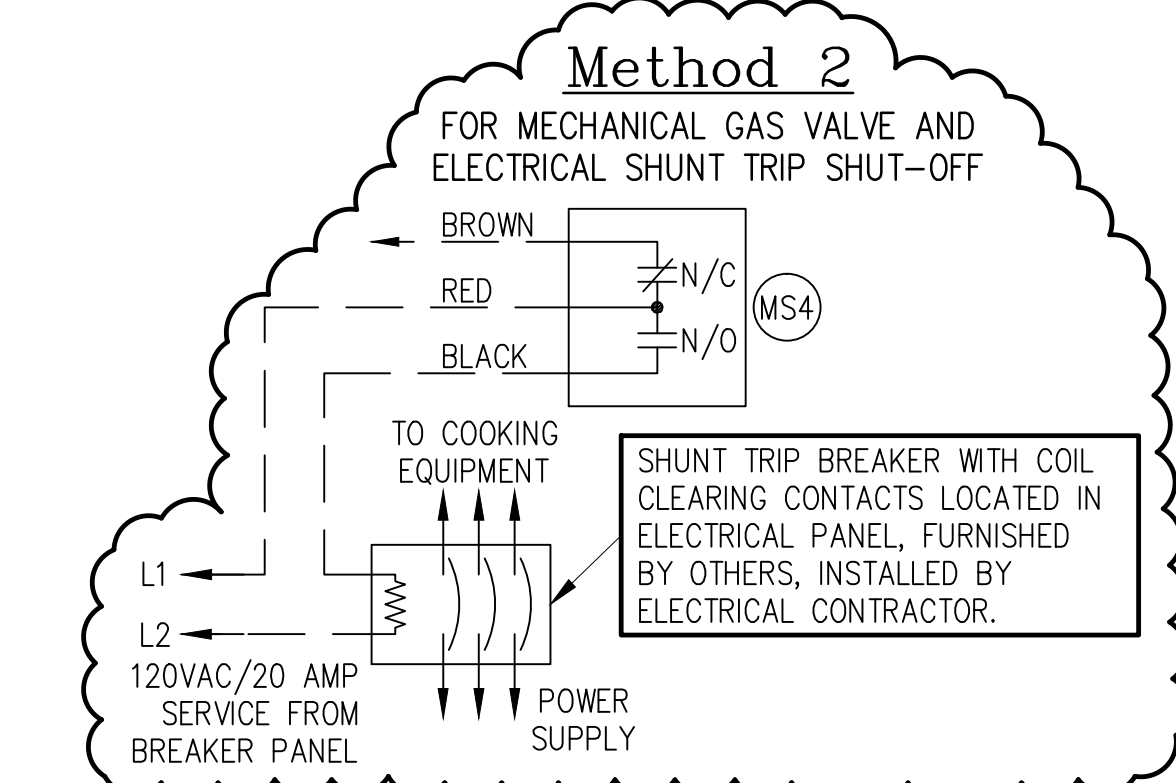
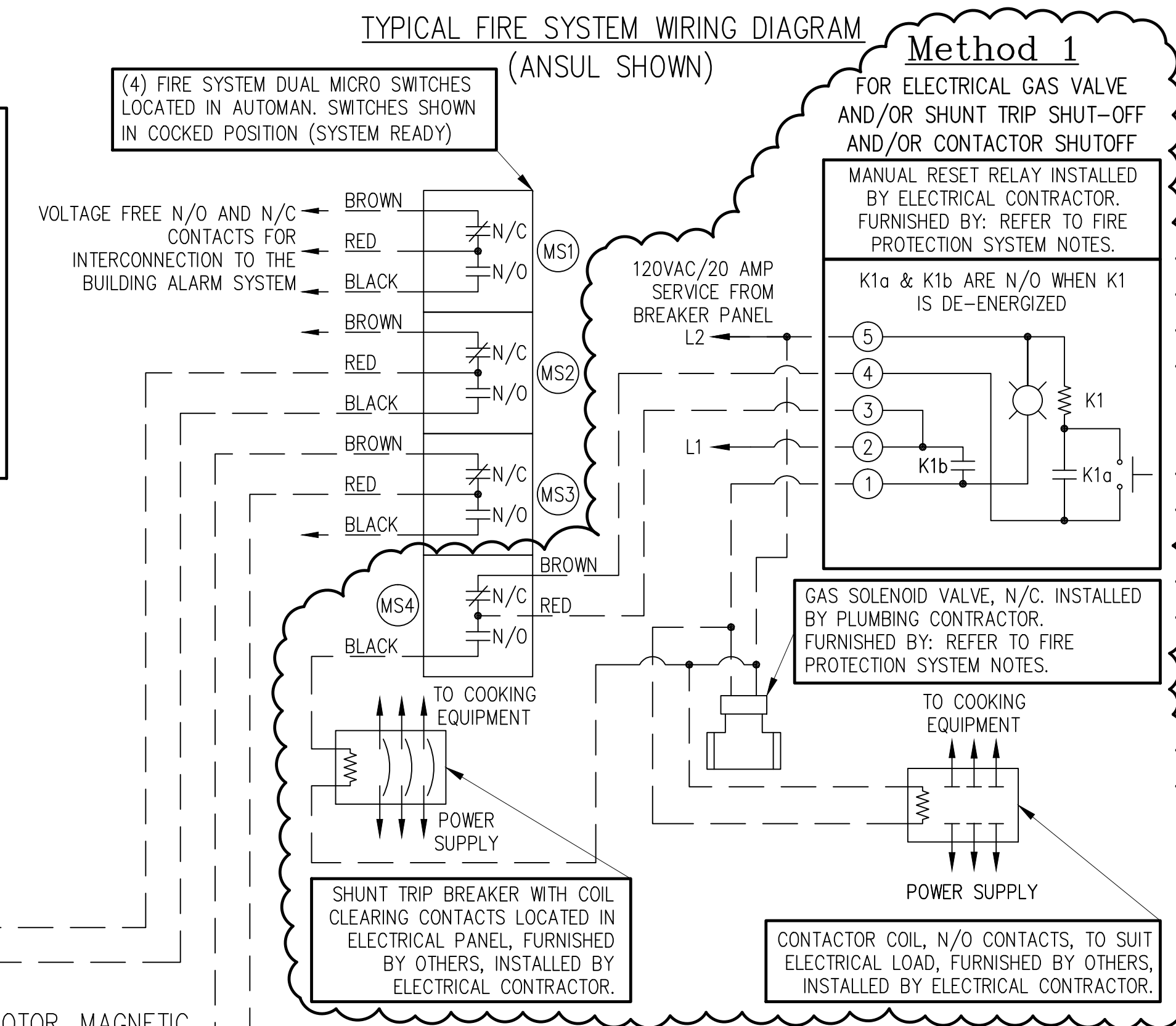
--- FIELD WIRING BY OTHERS  
 ——— WIRING BY GAYLORD

WHEN USING MULTIPLE LIGHT SWITCHES ON ONE CIRCUIT, VERIFY THAT THE LOAD DOES NOT EXCEED 15 AMPS (MAX.) IF IT DOES, USE MULTIPLE CIRCUITS.

SUPPLY VOLTAGE  
 120V  
 220V  
 50Hz  
 60Hz



**TYPICAL ANSUL TANK SCHEMATIC (FOR NON-WATER WASH VENTILATOR)**



These drawings or brochures have been reviewed for general compliance with contract drawings and specifications and checked for completeness. This review does not relieve the Foodservice Equipment Subcontractor of responsibility for compliance with contract drawings and specifications.

- Approved
- Approved as Noted
- Revise and Resubmit
- Rejected

Date: 11-14-14 By: T. McArdle

**INSTALLATION INFORMATION**

REV	DRWN BY	DATE	REVISIONS
02	AH	10-22-14	REVISED TO 24" HIGH HOODS
01	RS	10-09-14	REVISED TO FULL SUBMITTAL DRAWINGS

This plan is made from available information, but measurements are to be verified by contractors, installers and others in connection with this job. Gaylord Industries accepts no responsibility for work done by contractors, installers and others, and will not stand any expense for charges made necessary by local building codes, ordinances, structural conditions or by the substitution or changes in equipment shown in this plan. This plan must be verified and approved by proper parties before fabrication can be started and approval shall not be made unless contractors, installers and others have revised applicable codes with code authorities. Reference is made to the general notes, which are a part of these plans and all contractors, installers and others utilizing these plans are advised they are responsible for examining and becoming familiar with said general notes before commencing any work hereunder. Any inconsistencies between these plans and the general notes, or between these plans, the general notes, and local building codes or ordinances must be immediately called to the attention of Gaylord Industries in writing so that any such inconsistencies can be resolved.

**GAYLORD INDUSTRIES**  
 10900 S.W. AVERY ST.  
 TUALATIN, OR 97062  
 TELEPHONE: (503) 691-2010  
 TOLL FREE: (800) 547-9696  
 FAX NO.: (503) 692-6048  
 E-MAIL: gaylord@gaylordusa.com

ANSUL R-102-ASEFC-3T-19N-24F	FP-1	13230903
ELX-BB-MP-AS-120 (T1)	18	13230901
MODEL #	ITEM #	WORK ORDER #
DRAWN BY: SH	CHECKED BY:	ELECT. CHECK:
PRESS HOTEL PORTLAND, ME		
DRAWING NO.: 13-2309	DATE: 09-27-13	REV: 02 SHEET NO.: 04

