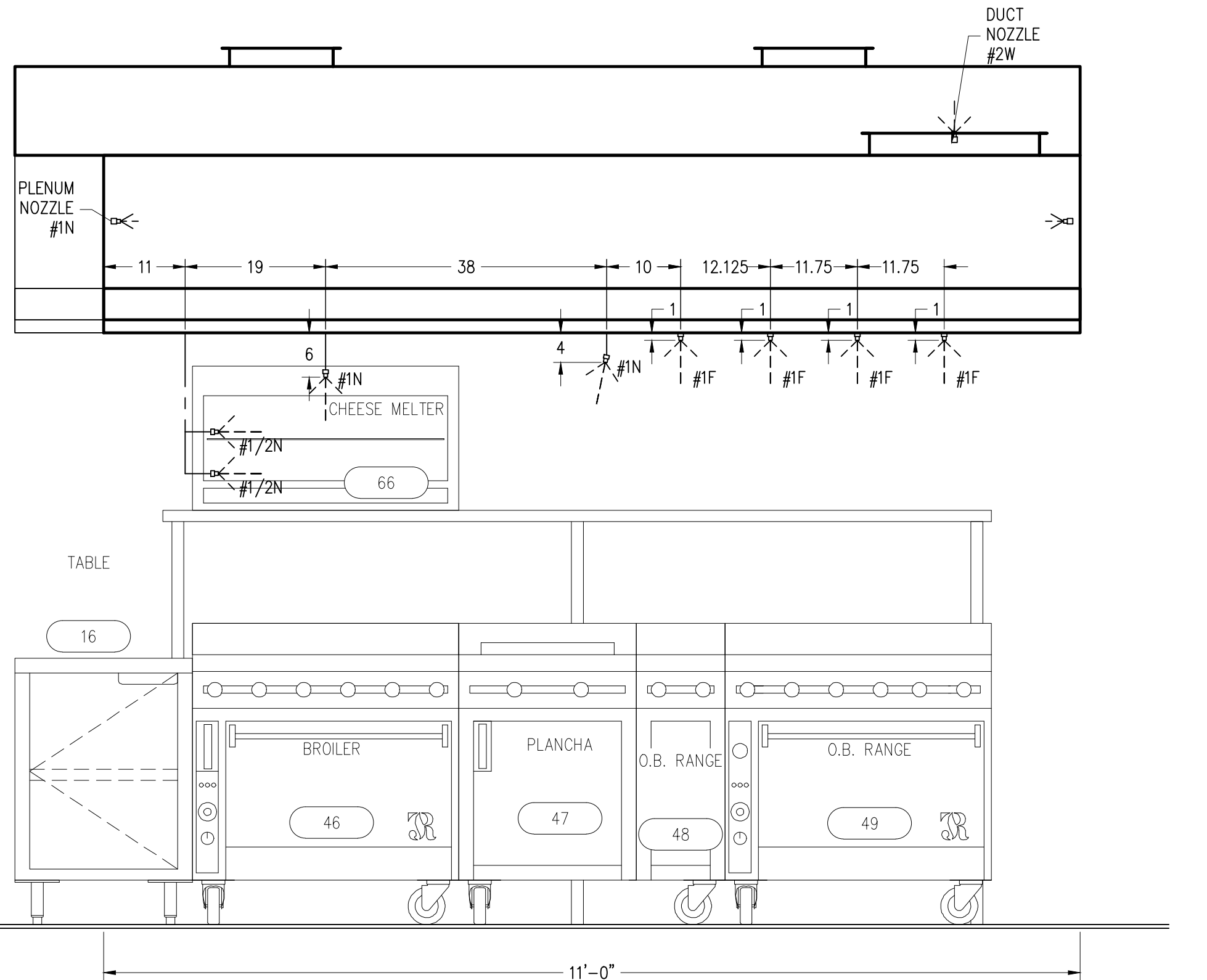


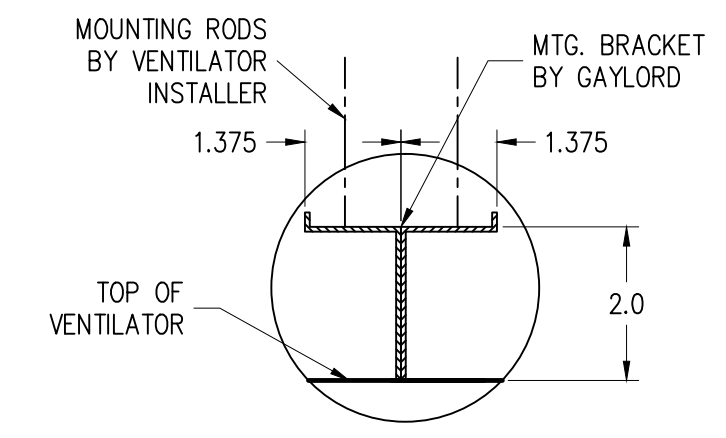
ELEVATION VIEW OF ITEM 18B



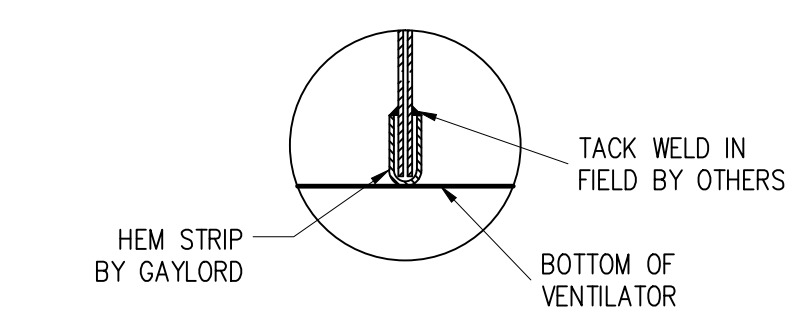
ELEVATION VIEW OF ITEM 18A

**WARNING: ANY CHANGES IN THE HOOD DESIGN OR MAKES/MODELS OF COOKING EQUIPMENT MAY AFFECT THE SIZE OF AND/OR REQUIRED AIRFLOWS FOR THE HOOD. NOTE: COOKING EQUIPMENT MODEL, MANUFACTURER & LOCATION MUST BE VERIFIED FOR FIRE PROTECTION PRIOR TO FABRICATION.**

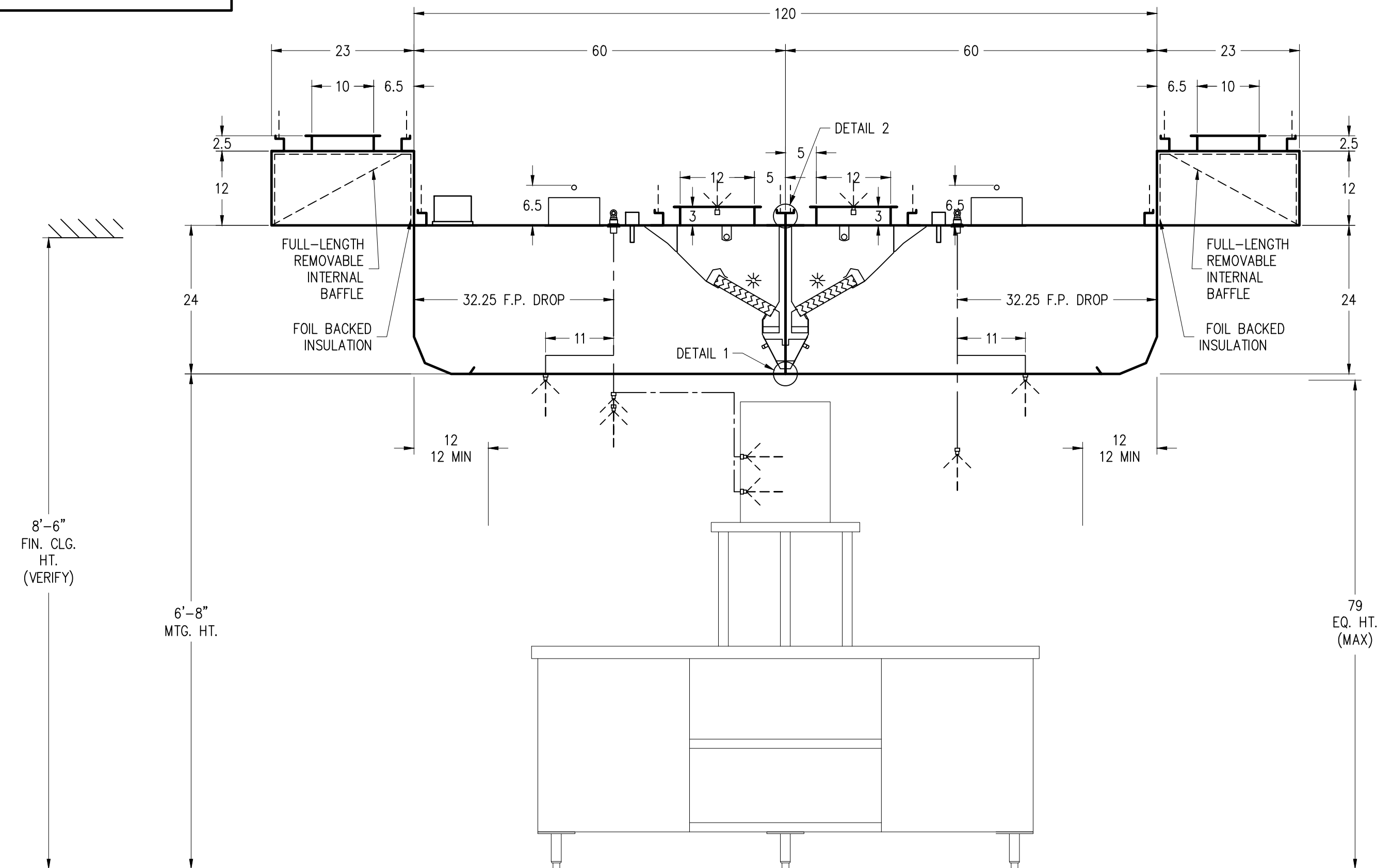
**NOTE: SPACE NOT ALLOWED BETWEEN HOOD AND PBW UNLESS IT IS A MINIMUM OF 72".**



DETAIL 2



DETAIL 1



ITEM 18A

SECTION VIEW

ITEM 18B

<p><b>VENTILATOR NOTES (NON-WATER WASH)</b></p> <p>A) VERIFY ALL MAKES AND MODELS OF COOKING EQUIPMENT AND LOCATION IN RELATION TO VENTILATOR PRIOR TO FABRICATION.</p> <p>B) FRONT AND REAR MOUNTING BRACKETS HAVE #0.625" HOLES. BRACKETS TO BE SUPPORTED WITHIN 12" OF EACH END OF EACH SECTION, WITH A MAXIMUM SPAN OF 72" BETWEEN SUPPORTS.</p> <p>C) INTERIOR MOUNTING BRACKET(S) TO BE SUPPORTED WITHIN 36" OF EACH END OF EACH SECTION, WITH A MAXIMUM SPAN OF 72" BETWEEN SUPPORTS.</p>	<p><b>FIRE PROTECTION SYSTEM NOTES</b> ANSUL R-102-ASEFC</p> <p>FP-1) LOCATION OF FIRE PROTECTION NOZZLES MUST BE VERIFIED IN RELATION TO THE COOKING EQUIPMENT, PRIOR TO VENTILATOR FABRICATION.</p> <p>COMPLETE SYSTEM INCLUDING APPLIANCE DROPS, SURFACE MOUNTED DETECTION BRACKETS, AND A STAINLESS STEEL CABINET ON THE END OF THE HOOD BY GAYLORD, WITH FIELD INSTALLATION BY GAYLORD.</p> <p>ANSUL FIRE SYSTEM FACTORY INSTALLED IN A STAINLESS STEEL CABINET ON THE END OF THE HOOD, PRE-PIPED CHEMICAL LINES INCLUDING DUCT, PLENUM AND APPLIANCE DROPS WITH ALL NOZZLES INSTALLED PER COOKING EQUIPMENT ARRANGEMENT ON GAYLORD APPROVED DRAWINGS. ALL EXPOSED PIPING CHROME PLATED OR CHROME SLEEVED. INCLUDES FACTORY PRE-PIPED DETECTION LINES WITH SURFACE MOUNTED DETECTOR BRACKETS. CHEMICAL AND DETECTION LINES INTERCONNECTED TO TANK(S). INSTALLATION BY CERTIFIED FACTORY INSTALLERS.</p> <p><b>INCLUDES:</b></p> <ul style="list-style-type: none"> <li>TANK(S) AND RELEASE ASSEMBLY(S)</li> <li>CHEMICAL</li> <li>DETECTOR CABLE</li> <li>FUSIBLE LINKS WITH LINKAGE</li> <li>EXPPELLANT GAS CARTRIDGE(S) (PROVIDED BY FIRE PROTECTION INSTALLER)</li> <li>(1) REMOTE MANUAL PULL STATION</li> <li>(1) GAS VALVE PER FIRE SYSTEM WITH A MAXIMUM SIZE OF 2-1/2"</li> <li>(1) MANUAL RESET RELAY PER FIRE SYSTEM, IF REQUIRED</li> <li>PLANS AND PERMITS (ON JOBS INSIDE OF THE UNITED STATES AND NON-MARINE JOBS)</li> <li>PARTS AND INSTALLATION OF CHEMICAL AND DETECTION LINES FROM TANK(S) TO CONNECTION POINTS ON HOOD</li> <li>INSTALLATION OF TANKS AND RELATED COMPONENTS</li> <li>INSTALLATION OF DETECTOR CABLE AND FUSIBLE LINKS</li> <li>INSTALLATION OF REMOTE MANUAL PULL STATION</li> <li>JOB SITE REPOSITIONING OF NOZZLES AS PER GAYLORD APPROVED DRAWINGS, IF REQUIRED TO MEET SYSTEM DESIGN REQUIREMENTS</li> <li>TRIP TEST AND CERTIFICATION (ON JOBS INSIDE OF THE UNITED STATES AND NON-MARINE JOBS)</li> </ul> <p><b>EXCLUDES:</b></p> <ul style="list-style-type: none"> <li>UNION LABOR AND PREVAILING WAGE</li> <li>INSTALLATION OF GAS VALVE(S)</li> <li>ELECTRICAL DISCONNECTS</li> <li>PARTS AND LABOR FOR ANY ELECTRICAL INTERCONNECTIONS</li> <li>JOB SITE REPOSITIONING OF NOZZLES IF COOKING EQUIPMENT IS NOT INSTALLED PER GAYLORD APPROVED DRAWINGS</li> <li>PLANS AND PERMITS ON JOBS OUTSIDE OF THE UNITED STATES AND ON MARINE JOBS</li> <li>TRIP TEST AND CERTIFICATION ON JOBS OUTSIDE OF THE UNITED STATES AND ON MARINE JOBS</li> <li>HANDHELD FIRE EXTINGUISHER(S)</li> <li>INSPECTION AND SERVICING</li> </ul>
<p><b>VERIFY EXHAUST &amp; SUPPLY FANS</b></p> <p>A) VERIFY IF THIS HOOD IS EXHAUSTED ON ITS OWN EXHAUST FAN OR IS IT EXHAUSTED ON A COMMON EXHAUST FAN SHARED WITH OTHER HOODS.</p> <p>B) VERIFY NUMBER OF SUPPLY (MAKE-UP AIR) FANS.</p>	
<p><b>PBW PLENUM FEATURES</b></p> <ul style="list-style-type: none"> <li>REMOVABLE S/S PERFORATED PANEL(S)</li> <li>ALL EXPOSED SURFACES ARE STAINLESS STEEL</li> </ul>	
<p><b>LIGHTING NOTE</b></p> <p>THIS LIGHTING IN THIS VENTILATOR IS DESIGNED TO PROVIDE 50 FOOT CANDLES OF LIGHT AT THE COOKING SURFACE, IF 50 FOOT CANDLES OF LIGHTING IS PROVIDED IN THE SURROUNDING SPACE.</p> <p>USE LED LIGHT FIXTURES, AND LED BULBS PROVIDED BY GAYLORD.</p>	
<p><b>VERIFY CEILING CONDITIONS</b></p> <p>EXACT FLOOR TO STRUCTURAL CEILING AND FLOOR TO FINISH CEILING HEIGHTS MUST BE VERIFIED FOR VENTILATOR DESIGN. INCORRECT HEIGHTS MAY CAUSE THE VENTILATOR TO NOT FIT PROPERLY OR COMPLY WITH CLEARANCES SPECIFIED IN APPLICABLE CODES AND STANDARDS. CAUTION: IF THE FINISHED CEILING IS HIGHER THAN THE TOP OF THE VENTILATOR, ENCLOSURE PANELS MAY BE REQUIRED.</p> <p>FLOOR TO STRUCTURAL CEILING: (VERIFY)</p> <p>FLOOR TO FINISH CEILING: 9'-0" (VERIFY)</p>	
<p><b>SHOP NOTES (T1)</b></p> <ul style="list-style-type: none"> <li>3" TALL DUCT</li> </ul>	

**SHOP NOTE:**  
EX DUCTS SHIP LOOSE W/ HOLES CUT BY GAYLORD. WELD DUCTS GREASE AND WATER TIGHT IN FIELD BY OTHERS.

**SHOP NOTE:**  
LAMINATE AND TAPE PAGE 61/178 OF ELX LISTING REPORT TO EACH VENTILATOR EXHAUST SECTION.



These drawings or brochures have been reviewed for general compliance with contract drawings and specifications and checked for completeness. This review does not relieve the Foodservice Equipment Subcontractor of responsibility for compliance with contract drawings and specifications.

- Approved
- Approved as Noted
- Revise and Resubmit
- Rejected

Date: 11-14-14 By: T. McArdle

ANSUL R-102-ASEFC-3T-19N-24F	FP-1	13230903
PBW-FBI-23	PBW-18A	13230902
ELX-BB-MP-AS-120 (T1)	18	13230901
MODEL #	ITEM #	WORK ORDER #

DIMENSION TOLERANCE ± 1/4" (6mm)

**INSTALLATION INFORMATION**

REV	DRWN BY	DATE	REVISIONS	CHECKED BY
03	CP	11-13-14	ADDED NOTES FOR SHIPPING DUCTS LOOSE & NOT ALLOW 7" SPACE FROM PBW TO VENTILATOR.	
02	AH	10-22-14	REVISED TO 24" HIGH HOODS	
01	RS	10-09-14	REVISED TO FULL SUBMITTAL DRAWINGS	

This plan is made from available information, but measurements are to be verified by contractors, installers and others in connection with this job. Gaylord Industries accepts no responsibility for work done by contractors, installers and others, and will not stand any expense for charges made necessary by local building codes, ordinances, structural conditions or by the substitution or changes in equipment shown in this plan. This plan must be verified and approved by proper parties before fabrication can be started and approval shall not be made unless contractors, installers and others have reviewed applicable codes with code authorities. Reference is made to the general notes, which are a part of these plans and all contractors, installers and others utilizing these plans are advised they are responsible for examining and becoming familiar with said general notes before commencing any work hereunder. Any inconsistencies between these plans and the general notes, or between these plans, the general notes, and local building codes or ordinances must be immediately called to the attention of Gaylord Industries in writing so that any such inconsistencies can be resolved.

Gaylord Industries must be notified of any changes made to the plan in a clear and conspicuous manner. Gaylord Industries will not be responsible for any incidental or consequential damages incurred by others as a result of contractors, installers and others failure to notify Gaylord of changes to the plan.

**ATTENTION** - This plan is the property of Gaylord Industries and is confidential and proprietary. It is not to be copied, reproduced, or distributed, in whole or part, nor be used in anyway detrimental to Gaylord Industries. If you have received this plan without Gaylord's permission, please (i) do not read it, (ii) reply to the sender that you received the drawing in error, and (iii) erase and/or destroy the drawing.

**GAYLORD INDUSTRIES**

10900 S.W. AVERY ST.  
TUALATIN, OR 97062

TELEPHONE: (503) 691-2010  
TOLL FREE: (800) 547-9696  
FAX NO.: (503) 692-6048  
E-MAIL: gaylord@gaylordusa.com

DRAWN BY: SH	CHECKED BY:	ELECT. CHECK:	F.P. CHECK:	S.E. APPROVAL:
PRESS HOTEL PORTLAND, ME				
DRAWING NO.: 13-2309	DATE: 09-27-13	REV: 03	SHEET NO.: 03	

