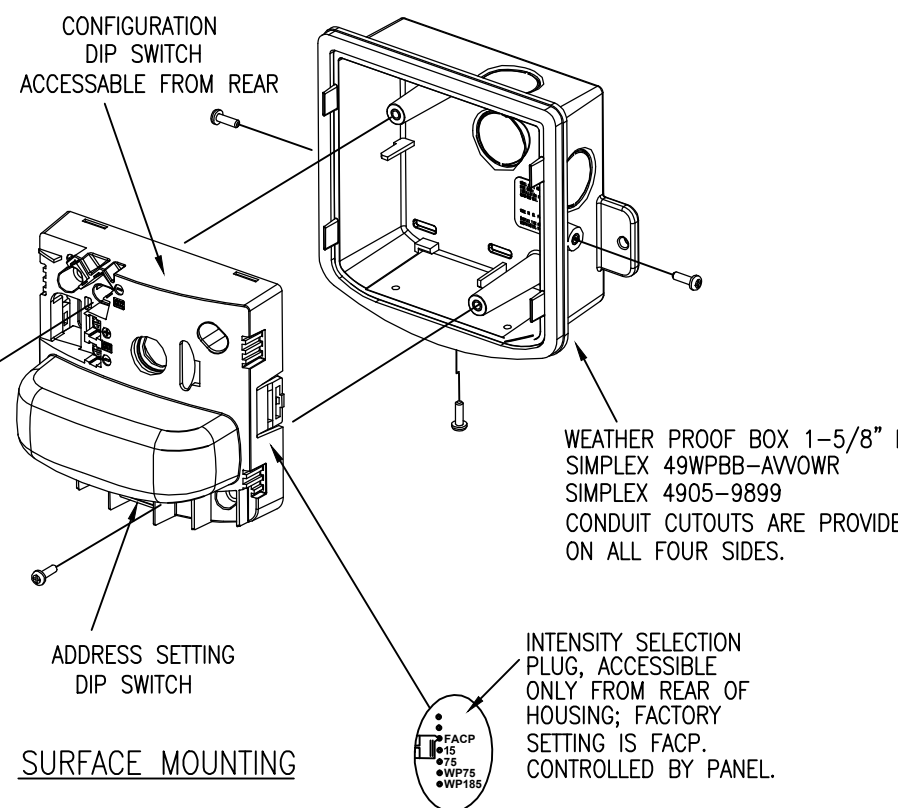
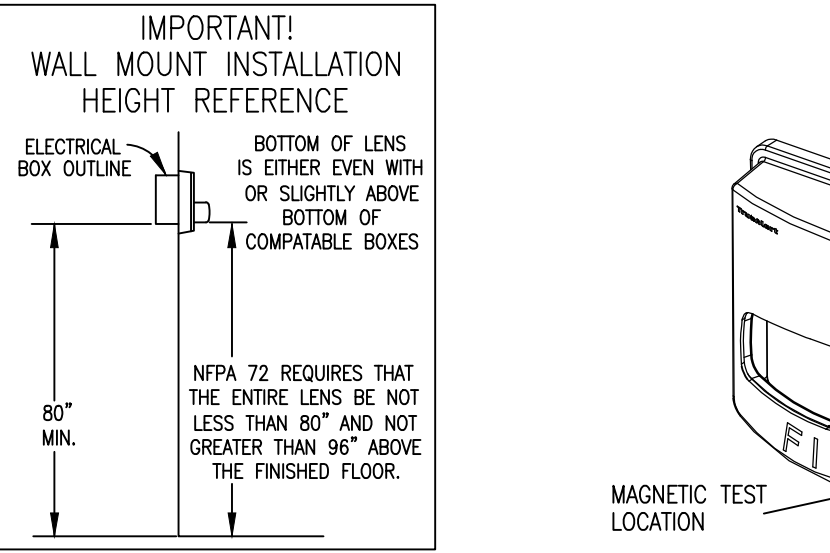


**PRODUCT INFORMATION TrueAlert™ ES (STYLE 4 SLC) VISIBLE ONLY NOTIFICATION APPLIANCES 49VO SERIES**

- FEATURES:**
- INDIVIDUALLY ADDRESSED WALL MOUNT VISIBLE NOTIFICATION APPLIANCES WITH EFFICIENT ELECTRONIC HIGH INTENSITY XENON STROBE PROVIDES:
  - SUPERVISION OF EACH INDIVIDUAL APPLIANCE'S WIRING AND CONNECTIONS
  - ABILITY TO CONNECT USING "T" TAPPING FOR CLASS B/STYLE 4 CIRCUITS TO SIMPLIFY WIRING
  - HORNS CONTROLLED SEPARATELY FROM STROBES ON THE SAME 2-WIRE CIRCUIT ALLOWING "ON-UNTIL-SILENCED" AND "ON-UNTIL-RESET"
  - XENON STROBE OUTPUT IS MANUALLY SELECTABLE FOR 15, 30, 75, 110, 135 AND 185 CANDELA OR "FACP". THE "FACP" SETTING ALLOWS THE 4100 TO PROGRAM THE CANDELA SETTING.
  - IN/OUT WIRING ACCESSIBILITY FROM FRONT OF HOUSING PROVIDES EASY ACCESS FOR INSTALLATION, INSPECTION, AND TESTING
  - MAGNETIC TEST DIAGNOSTICS TO ASSIST CHECKOUT AND TESTING OF APPLIANCES AND WIRING
  - UL LISTED TO STANDARD 1971
- LED INDICATOR AND MAGNETIC TEST FEATURE:**
- LED INDICATOR CAN BE ELECTED TO DISPLAY EACH POLLING CYCLE TO INDICATE APPLIANCE SUPERVISION
  - WHEN THE TrueAlert CONTROLLER IS IN DIAGNOSTIC MODE, THE MAGNETIC TEST PULSES THE LED TO INDICATE APPLIANCE ADDRESS AND IS SELECTABLE TO ALSO BRIEFLY FLASH THE STROBE TO CONFIRM OPERATION

**APPLIANCE CONFIGURATION SETTINGS**

- POSITION 1: CONFIGURATION CONTROL - LOCAL (OFF), PANEL (ON)  
 POSITION 2: AUDIBLE VOLUME - HIGH (OFF), LOW (ON)  
 POSITION 3: CANADIAN HORN MODE - SET TO OFF  
 POSITION 4: LEGACY NAC MODE - SET TO OFF  
 POSITION 5,6,7: UNUSED - SET TO OFF  
 POSITION 8: CLEAR/COLOR LENS - ALARM (OFF), ALERT (ON)



**TrueAlert 2-WIRE ADDRESSABLE CONTROL OF VISIBLE AND AUDIBLE NOTIFICATION ACTIVATES APPLIANCES WITH:**

- HORNS SOUNDED AS TEMPORAL OR MARCH TIME PATTERN, OR ON CONTINUOUSLY, CONTROLLED SEPARATELY FROM VISIBLE APPLIANCES ON THE SAME TWO-WIRE CIRCUIT

**TrueAlert NOTIFICATION APPLIANCE DESIGN PROVIDES FLEXIBLE, EASY, AND CONVENIENT FLUSH OR SURFACE WALL BOX MOUNTING**

**SPECIFICATIONS:**

**STROBE:**

RATED VOLTAGE RANGE: 23 TO 31 VRMS  
 SUPERVISORY REQUIREMENTS: 1 UNIT LOAD  
 STROBE FLASH RATE: 1 Hz

MODEL NUMBER	HOUSING COLOR	LETTERING COLOR	VOLTAGE	UL 1971 0-49° C					
				15cd	30cd	75cd	110cd	135cd	185cd
49VO-WRF0-BA	RED	WHITE	23 VRMS	0.060	0.160	0.160	0.185	0.212	0.239
49VO-WWF0-BA	WHITE	RED	23 VRMS	0.060	0.160	0.160	0.185	0.212	0.239
49VO-APPLW-O	WP BACKBOX AND COVER ORDERED SEPARATELY		23 VRMS	0.060	0.160	0.160	0.185	0.212	0.239

**GENERAL SPECIFICATIONS:**

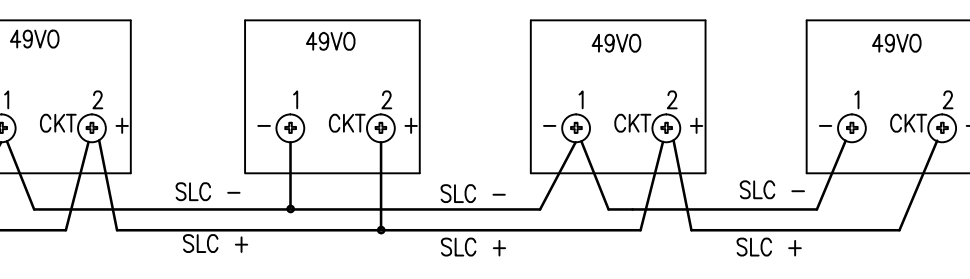
HOUSING DIMENSIONS (INCLUDING LENS): 5 1/8" H X 5" W X 2 5/8" D (130 mm X 127 mm X 67 mm)  
 TEMPERATURE RANGE: -31° TO 120° F (-35° TO 49° C)  
 HUMIDITY RANGE: 10% TO 93% NON-CONDENSING AT 104° F (40° C)  
 CONNECTIONS: TERMINAL BLOCKS FOR 18 TO 12 AWG

- WIRING NOTES:**
- REFER TO FIELD WIRING DIAGRAMS OF THE DRIVING TrueAlert COMPATIBLE CONTROLLER FOR ADDITIONAL SLC WIRING INFORMATION.
  - NOTIFICATION APPLIANCES ARE RATED PER INDIVIDUAL NAMEPLATE LABEL.
  - MAINTAIN CORRECT POLARITY ON TERMINAL CONNECTIONS. DO NOT LOOP WIRES UNDER TERMINALS.
  - ALL TrueAlert SLC WIRING CONNECTIONS ARE SUPERVISED AND POWER-LIMITED.
  - POWERING THE V/O FROM AN APPLIANCE POWER SOURCE LESS THAN 17 VDC OR GREATER THAN 32 VDC MAY CAUSE PERMANENT DAMAGE TO THE V/O UNIT.
  - THE TrueAlert V/O CAN ONLY BE OPERATED THROUGH A 4009 TrueAlert ADDRESSABLE CONTROLLER OR TrueAlert COMPATIBLE FACP.

**TrueAlert V/O UNITS- DIP SWITCH ADDRESS CHART**

DIP SWITCHES 1 THRU 4	0000	1000	0100	1100
1	0	16	32	48
2	1	17	33	49
3	2	18	34	50
4	3	19	35	51
5	4	20	36	52
6	5	21	37	53
7	6	22	38	54
8	7	23	39	55
9	8	24	40	56
10	9	25	41	57
11	10	26	42	58
12	11	27	43	59
13	12	28	44	60
14	13	29	45	61
15	14	30	46	62
16	15	31	47	63

- MOUNTING INSTRUCTIONS:**
- SET THE APPLIANCE ADDRESS AND CONFIGURATION SETTINGS.
  - BRING THE BUILDING WIRING THROUGH THE RECTANGULAR OPENING IN THE APPLIANCE.
  - ASSEMBLE THE HOUSING ONTO THE WEATHERPROOF BACKBOX ASSURING EVEN CONTACT WITH THE GASKET AROUND THE PERIPHERY.
  - USING THE MOUNTING HOLES INDICATED IN THE FIGURE ABOVE, ASSEMBLE THE HOUSING TO THE BACKBOX. TIGHTEN THE SCREWS TO RECOMMENDED TORQUE.
  - ASSEMBLE THE COVER TO THE WEATHERPROOF BACKBOX USING THE SCREWS PROVIDED. TIGHTEN THE SCREWS TO RECOMMENDED TORQUE.

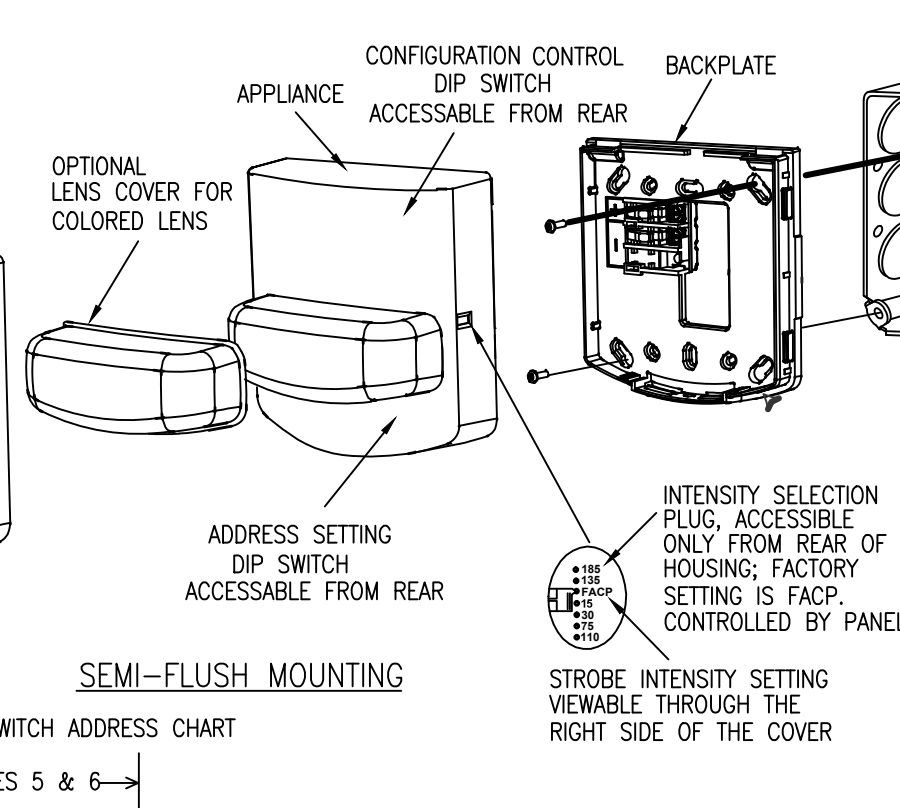
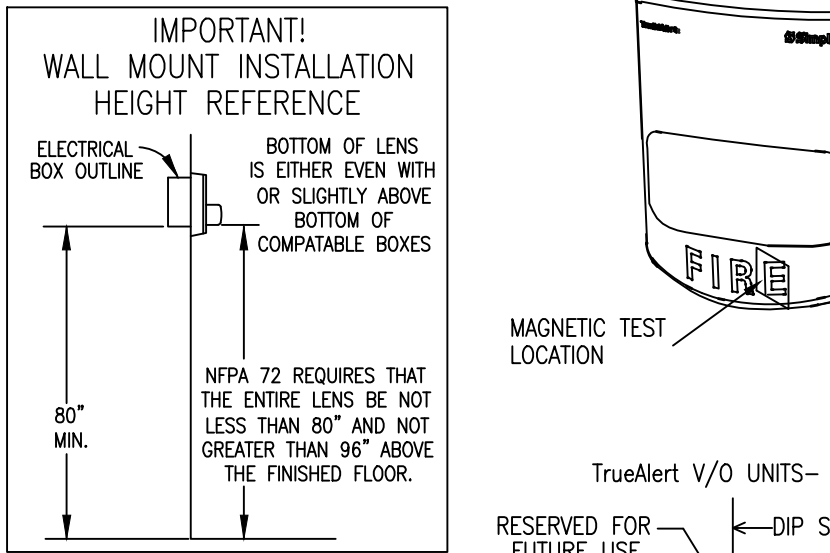


**PRODUCT INFORMATION TrueAlert™ ES (STYLE 4 SLC) VISIBLE ONLY NOTIFICATION APPLIANCES 49VO SERIES**

- FEATURES:**
- INDIVIDUALLY ADDRESSED WALL MOUNT VISIBLE NOTIFICATION APPLIANCES WITH EFFICIENT ELECTRONIC HIGH INTENSITY XENON STROBE PROVIDES:
  - SUPERVISION OF EACH INDIVIDUAL APPLIANCE'S WIRING AND CONNECTIONS
  - ABILITY TO CONNECT USING "T" TAPPING FOR CLASS B/STYLE 4 CIRCUITS TO SIMPLIFY WIRING
  - HORNS CONTROLLED SEPARATELY FROM STROBES ON THE SAME 2-WIRE CIRCUIT ALLOWING "ON-UNTIL-SILENCED" AND "ON-UNTIL-RESET"
  - XENON STROBE OUTPUT IS MANUALLY SELECTABLE FOR 15, 30, 75, 110, 135 AND 185 CANDELA OR "FACP". THE "FACP" SETTING ALLOWS THE 4100 TO PROGRAM THE CANDELA SETTING.
  - IN/OUT WIRING ACCESSIBILITY FROM FRONT OF HOUSING PROVIDES EASY ACCESS FOR INSTALLATION, INSPECTION, AND TESTING
  - MAGNETIC TEST DIAGNOSTICS TO ASSIST CHECKOUT AND TESTING OF APPLIANCES AND WIRING
  - UL LISTED TO STANDARD 1971
- LED INDICATOR AND MAGNETIC TEST FEATURE:**
- LED INDICATOR CAN BE ELECTED TO DISPLAY EACH POLLING CYCLE TO INDICATE APPLIANCE SUPERVISION
  - WHEN THE TrueAlert CONTROLLER IS IN DIAGNOSTIC MODE, THE MAGNETIC TEST PULSES THE LED TO INDICATE APPLIANCE ADDRESS AND IS SELECTABLE TO ALSO BRIEFLY FLASH THE STROBE TO CONFIRM OPERATION

**APPLIANCE CONFIGURATION SETTINGS**

- POSITION 1: CONFIGURATION CONTROL - LOCAL (OFF), PANEL (ON)  
 POSITION 2: AUDIBLE VOLUME - HIGH (OFF), LOW (ON)  
 POSITION 3: CANADIAN HORN MODE - SET TO OFF  
 POSITION 4: LEGACY NAC MODE - SET TO OFF  
 POSITION 5,6,7: UNUSED - SET TO OFF  
 POSITION 8: CLEAR/COLOR LENS - ALARM (OFF), ALERT (ON)



**TrueAlert 2-WIRE ADDRESSABLE CONTROL OF VISIBLE AND AUDIBLE NOTIFICATION ACTIVATES APPLIANCES WITH:**

- HORNS SOUNDED AS TEMPORAL OR MARCH TIME PATTERN, OR ON CONTINUOUSLY, CONTROLLED SEPARATELY FROM VISIBLE APPLIANCES ON THE SAME TWO-WIRE CIRCUIT

**SPECIFICATIONS:**

**STROBE:**

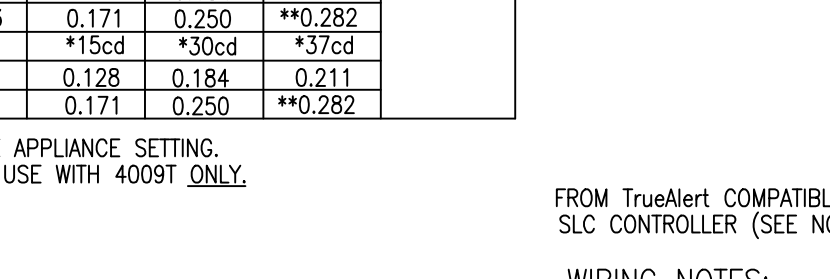
RATED VOLTAGE RANGE: 17 TO 31 VRMS  
 SUPERVISORY REQUIREMENTS: 1 UNIT LOAD  
 STROBE FLASH RATE: 1 Hz

MODEL NUMBER	COVER COLOR	LETTERING COLOR	LENS COLOR	CURRENT VALUES ARE UL 1971 MAX RATING FOR THE GIVEN VOLTAGE LEVEL	
					15cd
49VO-WRF(-BA)	RED	WHITE	CLEAR	23 VRMS 0.047 0.057 0.100 0.132 0.160 0.208	
			AMBER/BLUE	17 VRMS 0.067 0.103 0.171 0.250 **0.282	
49VO-WWF(-BA)	WHITE	RED	GREEN	23 VRMS 0.054 0.078 0.128 0.184 0.211	
			RED	17 VRMS 0.054 0.078 0.128 0.184 0.211	

\* VISIBLE OUTPUT RATING FOR THE GIVEN LENS COVER COLOR AT THE APPLIANCE SETTING.  
 \*\* 17 VOLT CURRENT SHOWN AT THE HIGH CANDELA SETTINGS IS FOR USE WITH 4009T ONLY.

**TrueAlert V/O UNITS- DIP SWITCH ADDRESS CHART**

DIP SWITCHES 1 THRU 4	0000	1000	0100	1100
1	0	16	32	48
2	1	17	33	49
3	2	18	34	50
4	3	19	35	51
5	4	20	36	52
6	5	21	37	53
7	6	22	38	54
8	7	23	39	55
9	8	24	40	56
10	9	25	41	57
11	10	26	42	58
12	11	27	43	59
13	12	28	44	60
14	13	29	45	61
15	14	30	46	62
16	15	31	47	63



- MOUNTING INSTRUCTIONS:**
- BRING THE BUILDING WIRING THROUGH THE RECTANGULAR OPENING IN THE BACKPLATE.
  - CONNECT THE BUILDING WIRES TO THE BACKPLATE.
  - SECURE THE BACKPLATE TO THE ELECTRICAL BOX BY USING THE PROVIDED HARDWARE. INSTALLED WITH THE WRITING "INSTALL THIS SIDE UP" AT THE TOP.
  - ATTACH THE COVER TO THE APPLIANCE.
  - SET THE APPLIANCE ADDRESS AND CONFIGURATION SETTINGS.
  - ATTACH THE ASSEMBLED APPLIANCE ONTO THE BACKPLATE.

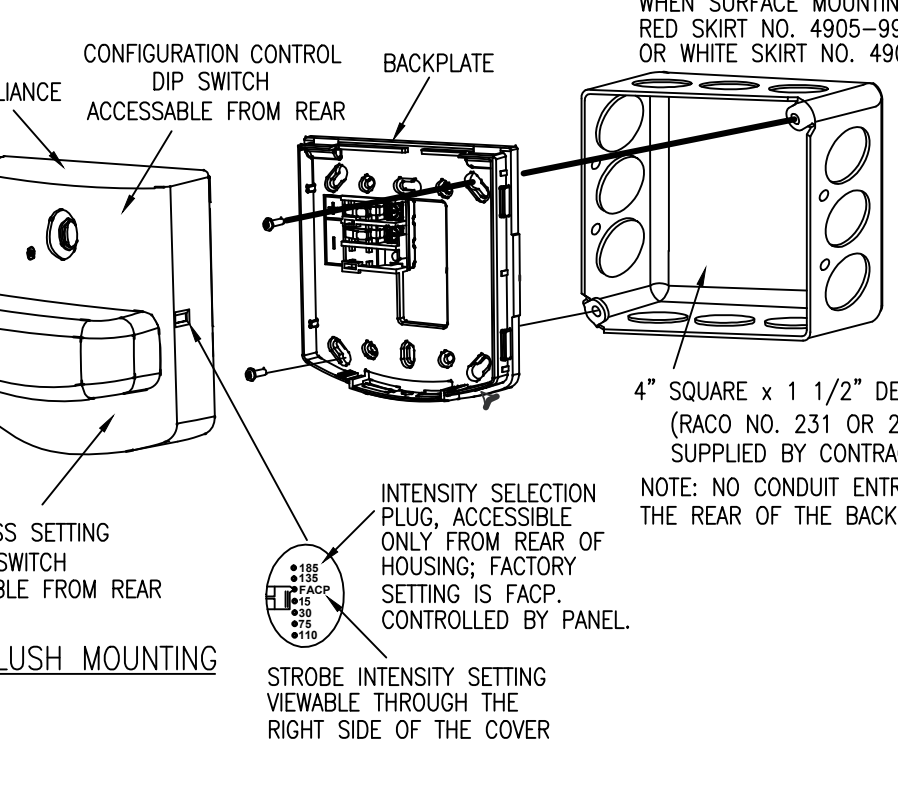
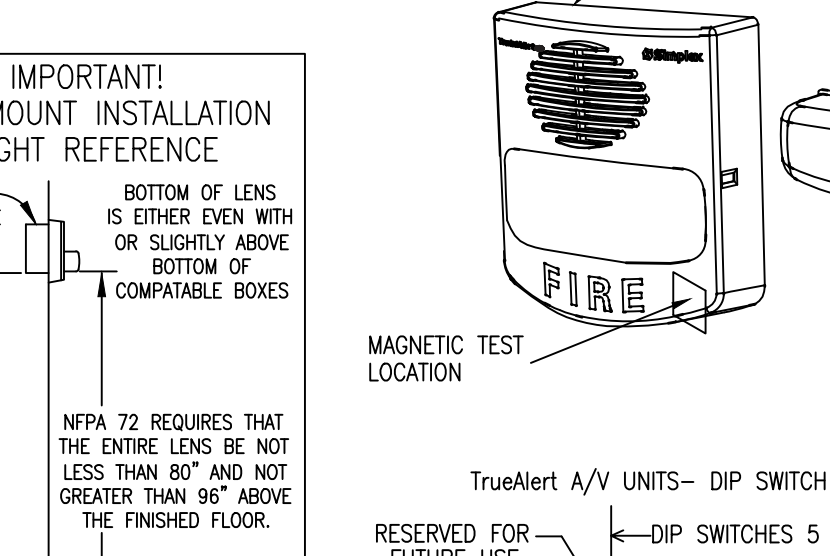
- WIRING NOTES:**
- REFER TO FIELD WIRING DIAGRAMS OF THE DRIVING TrueAlert COMPATIBLE CONTROLLER FOR ADDITIONAL SLC WIRING INFORMATION.
  - NOTIFICATION APPLIANCES ARE RATED PER INDIVIDUAL NAMEPLATE LABEL.
  - MAINTAIN CORRECT POLARITY ON TERMINAL CONNECTIONS. DO NOT LOOP WIRES UNDER TERMINALS.
  - ALL TrueAlert SLC WIRING CONNECTIONS ARE SUPERVISED AND POWER-LIMITED.
  - POWERING THE V/O FROM AN APPLIANCE POWER SOURCE LESS THAN 17 VDC OR GREATER THAN 32 VDC MAY CAUSE PERMANENT DAMAGE TO THE V/O UNIT.
  - THE TrueAlert V/O CAN ONLY BE OPERATED THROUGH A 4009 TrueAlert ADDRESSABLE CONTROLLER OR TrueAlert COMPATIBLE FACP.

**PRODUCT INFORMATION TrueAlert™ ES (STYLE 4 SLC) AUDIBLE/VISIBLE NOTIFICATION APPLIANCES 49AV SERIES**

- FEATURES:**
- INDIVIDUALLY ADDRESSED WALL MOUNT AUDIBLE/VISIBLE NOTIFICATION APPLIANCES WITH EFFICIENT ELECTRONIC HORN AND HIGH INTENSITY XENON STROBE PROVIDES:
  - SUPERVISION OF EACH INDIVIDUAL APPLIANCE'S WIRING AND CONNECTIONS
  - ABILITY TO CONNECT USING "T" TAPPING FOR CLASS B/STYLE 4 CIRCUITS TO SIMPLIFY WIRING
  - HORNS CONTROLLED SEPARATELY FROM STROBES ON THE SAME 2-WIRE CIRCUIT ALLOWING "ON-UNTIL-SILENCED" AND "ON-UNTIL-RESET" USING A SINGLE ADDRESS
  - XENON STROBE OUTPUT IS MANUALLY SELECTABLE FOR 15, 30, 75, 110, 135 AND 185 CANDELA OR "FACP". THE "FACP" SETTING ALLOWS THE 4100 TO PROGRAM THE CANDELA SETTING.
  - IN/OUT WIRING ACCESSIBILITY FROM FRONT OF HOUSING PROVIDES EASY ACCESS FOR INSTALLATION, INSPECTION, AND TESTING
  - MAGNETIC TEST DIAGNOSTICS TO ASSIST CHECKOUT AND TESTING OF APPLIANCES AND WIRING
  - UL LISTED TO STANDARD 1971 FOR STROBE
  - UL LISTED TO STANDARD 464 FOR HORN
- LED INDICATOR AND MAGNETIC TEST FEATURE:**
- LED INDICATOR CAN BE ELECTED TO DISPLAY EACH POLLING CYCLE TO INDICATE APPLIANCE SUPERVISION
  - WHEN THE TrueAlert CONTROLLER IS IN DIAGNOSTIC MODE, THE MAGNETIC TEST PULSES THE LED TO INDICATE APPLIANCE ADDRESS AND IS SELECTABLE TO ALSO BRIEFLY FLASH THE STROBE TO CONFIRM OPERATION

**APPLIANCE CONFIGURATION SETTINGS**

- POSITION 1: CONFIGURATION CONTROL - LOCAL (OFF), PANEL (ON)  
 POSITION 2: AUDIBLE VOLUME - HIGH (OFF), LOW (ON)  
 POSITION 3: CANADIAN HORN MODE - SET TO OFF  
 POSITION 4: LEGACY NAC MODE - SET TO OFF  
 POSITION 5,6,7: UNUSED - SET TO OFF  
 POSITION 8: CLEAR/COLOR LENS - ALARM (OFF), ALERT (ON)



**TrueAlert 2-WIRE ADDRESSABLE CONTROL OF VISIBLE AND AUDIBLE NOTIFICATION ACTIVATES APPLIANCES WITH:**

- HORNS SOUNDED AS TEMPORAL OR MARCH TIME PATTERN, OR ON CONTINUOUSLY, CONTROLLED SEPARATELY FROM VISIBLE APPLIANCES ON THE SAME TWO-WIRE CIRCUIT

**SPECIFICATIONS:**

**STROBE:** RATED VOLTAGE RANGE: 17 TO 31 VRMS  
 SUPERVISORY REQUIREMENTS: 1 UNIT LOAD  
 STROBE FLASH RATE: 1 Hz

MODEL NUMBER	HOUSING COLOR	LETTERING COLOR	LENS COLOR	CURRENT VALUES ARE UL 1971 MAX RATING FOR THE GIVEN VOLTAGE LEVEL					
				15cd	30cd	75cd	110cd	135cd	185cd
49AV-WRF(-BA)	RED	WHITE	CLEAR	23 VRMS 0.059 0.067 0.107 0.139 0.166 0.215					
			AMBER/BLU	17 VRMS 0.074 0.085 0.140 0.185 **0.221 **0.290					
49AV-WWF(-BA)	WHITE	RED	GREEN	23 VRMS 0.066 0.088 0.137 0.192 0.219 NOT SUPPORTED					
			RED	17 VRMS 0.079 0.113 0.180 0.258 **0.290					

\* VISIBLE OUTPUT RATING FOR THE GIVEN LENS COVER COLOR AT THE APPLIANCE SETTING.  
 \*\* FOR USE WITH 4009T ONLY.

**HORN: SOUND OUTPUT CHARACTERISTICS: 2400 TO 3700 Hz SWEEP, MODULATED AT 120 Hz**

VOLTAGE	17 VRMS			23 VRMS			31 VRMS		
	STEADY	CODED	CODED	STEADY	CODED	CODED	STEADY	CODED	CODED
SOUND TYPE	HIGH	LOW	HIGH	LOW	HIGH	LOW	HIGH	LOW	HIGH
SETTING	87.8	81.6	83.4	77.0	90.1	83.6	85.7	80.1	91.9
REVERBERANT CHAMBER, UL 464 TEST	81.7	85.4	91.7	85.4	94.1	88.1	94.1	88.1	96.1
ANECHOIC CHAMBER	91.7	85.4	91.7	85.4	94.1	88.1	94.1	88.1	96.1

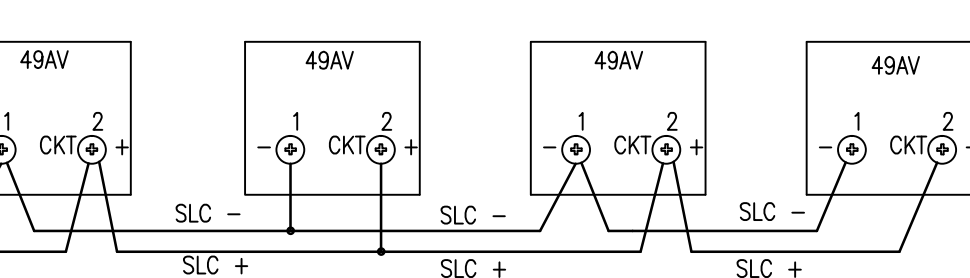
**GENERAL SPECIFICATIONS:**

HOUSING DIMENSIONS (INCLUDING LENS): 5 1/8" H X 5" W X 2 5/8" D (130 mm X 127 mm X 67 mm)  
 TEMPERATURE RANGE: 32° TO 120° F (0° TO 49° C)  
 HUMIDITY RANGE: 10% TO 93% NON-CONDENSING AT 104° F (40° C)  
 CONNECTIONS: TERMINAL BLOCKS FOR 18 TO 12 AWG

**TrueAlert A/V UNITS- DIP SWITCH ADDRESS CHART**

DIP SWITCHES 1 THRU 4	0000	1000	0100	1100
1	0	16	32	48
2	1	17	33	49
3	2	18	34	50
4	3	19	35	51
5	4	20	36	52
6	5	21	37	53
7	6	22	38	54
8	7	23	39	55
9	8	24	40	56
10	9	25	41	57
11	10	26	42	58
12	11	27	43	59
13	12	28	44	60
14	13	29	45	61
15	14	30	46	62
16	15	31	47	63

- MOUNTING INSTRUCTIONS:**
- BRING THE BUILDING WIRING THROUGH THE RECTANGULAR OPENING IN THE BACKPLATE.
  - CONNECT THE BUILDING WIRES TO THE BACKPLATE.
  - SECURE THE BACKPLATE TO THE ELECTRICAL BOX BY USING THE PROVIDED HARDWARE. INSTALLED WITH THE WRITING "INSTALL THIS SIDE UP" AT THE TOP.
  - ATTACH THE COVER TO THE APPLIANCE.
  - SET THE APPLIANCE ADDRESS AND CONFIGURATION SETTINGS.
  - ATTACH THE ASSEMBLED APPLIANCE ONTO THE BACKPLATE.



- WIRING NOTES:**
- REFER TO FIELD WIRING DIAGRAMS OF THE DRIVING TrueAlert COMPATIBLE CONTROLLER FOR ADDITIONAL SLC WIRING INFORMATION.
  - NOTIFICATION APPLIANCES ARE RATED PER INDIVIDUAL NAMEPLATE LABEL.
  - MAINTAIN CORRECT POLARITY ON TERMINAL CONNECTIONS. DO NOT LOOP WIRES UNDER TERMINALS.
  - ALL TrueAlert SLC WIRING CONNECTIONS ARE SUPERVISED AND POWER-LIMITED.
  - POWERING THE A/V FROM AN APPLIANCE POWER SOURCE LESS THAN 17 VDC OR GREATER THAN 32 VDC MAY CAUSE PERMANENT DAMAGE TO THE A/V UNIT.
  - THE TrueAlert A/V CAN ONLY BE OPERATED THROUGH A 4009 TrueAlert ADDRESSABLE CONTROLLER OR TrueAlert COMPATIBLE FACP.

**tyco**  
 Smarter. Tyco.™  
 DISTRICT - 147  
 WESTBROOK, ME 04092  
 PHONE: 207-842-8440  
 FAX: 207-842-8439

**PRESS HOTEL**  
 PRESS HOTEL  
 119 EXCHANGE ST  
 PORTLAND, ME

ISSUE NO.	DATE	BY	DESCRIPTION
1	5/29/2014	JG	REVISED PER ENGINEER'S COMMENTS & ADOPTED AFS SYSTEM

DRAWN BY:	JG
CHECKED BY:	IG
ISSUE DATE:	4/24/14
JOB #:	977465501
PROJECT #:	147-PRE-BOOKED
SIMPLEXGRINNELL ©	2013
SYSTEM:	FIRE ALARM SYSTEM
SHEET:	
WIRING TYPICALS	

FA-703

LAST PRINTED: 5/29/2014 3:09:14 PM LAST SAVED BY: JUDELACRUZ

IMPORTANT NOTICE TO USER: This document is the property of Tyco Fire Protection Products, Inc. It is intended for use by the user of the product. It is not to be distributed, copied, modified or altered in any way without the express written consent of Tyco Fire Protection Products, Inc. The user of this document is responsible for ensuring that the information contained herein is applicable to the user's specific application. Tyco Fire Protection Products, Inc. is not responsible for any damage or injury resulting from the use of this document.