

LEGEND:

- NEW PIPE RISER UP OR DOWN
- PROPOSED DRAIN PIPE
- PROPOSED STEEL PIPE
- △ PROPOSED CHVC PIPE
- ⊙ SYSTEM RISER
- ⊙ HYDRAULIC CALC. POINT

DESIGN & SYSTEM NOTES:
WITH FINISHED GRADE, ALL RISER PIPES SHALL BE SCHEDULE 40 ALL PIPING 1 1/2" & SMALLER TO BE SCHEDULE 40 WITH APPROPRIATE FINISH OR CPVC.
POSITION, LOCATION, SPACING AND USE OF HANGERS SHALL BE IN ACCORDANCE WITH NFPA 13.
RELOCATION OF EXISTING SYSTEM HANGERS SHALL BE IN ACCORDANCE WITH NFPA 13.
DIMENSIONS AND LOCATIONS GIVEN FOR SPRINKLER ACTUAL FIELD CONDITIONS.
OWNER IS RESPONSIBLE TO MAINTAIN THE SPRINKLER DETECTORS AT 10' 6" BELOW NON-COMBUSTIBLE CEILING.
ALL MECHANICAL, ELECTRICAL AND PLUMBING TRADES TO COORDINATE THEIR WORK WITH SPRINKLER CONTRACTOR.
ALL ELECTRICAL WORK IS TO BE DONE BY OTHERS.

- RELIABLE*
MODEL FTRRS6
1/2" WHITE PENDENT SEMI-RECESSED ESC. CENTER OF TILE IN ACT*
- RELIABLE*
MODEL FTRRS6
1/2" WHITE HORIZONTAL SIDEWALL SEMI REC. ESC. NON-COMBUSTIBLE CEILING
- RELIABLE*
MODEL FTRRS8
1/2" RESIDENTIAL WHITE PENDENT SEMI-RECESSED ESC/JUNCTION 16" x 14" MAX SPACING

- RELIABLE*
MODEL FTRRS8
1/2" RESIDENTIAL WHITE SIDEWALL SEMI-RECESSED ESC/JUNCTION DETECTORS 4" SPACING BELOW CEILING

OR APPROVED EQUAL
TOTAL HEADS ON THIS SHEET: 233
SCALE: 1/8" = 1'-0"

REVISIONS:
NO. DATE DESCRIPTION:
2 5-13-14 NEW H2O INFO
DATE: APRIL 2, 2014
DESIGNER: ED POULIN (RMS# 515)
CHECKED BY: AL FOSS

LOCATION:
119 EXCHANGE STREET
PORTLAND, ME

DRAWING TITLE:
THE PRESS HOTEL
3RD & 4TH FLOOR
(ZONE 3 & 4)
FIRE PROTECTION PLAN
(NFPA 13 2010ed.)

DRAWING NO.:
FP-03

CPVC CURING TIMES

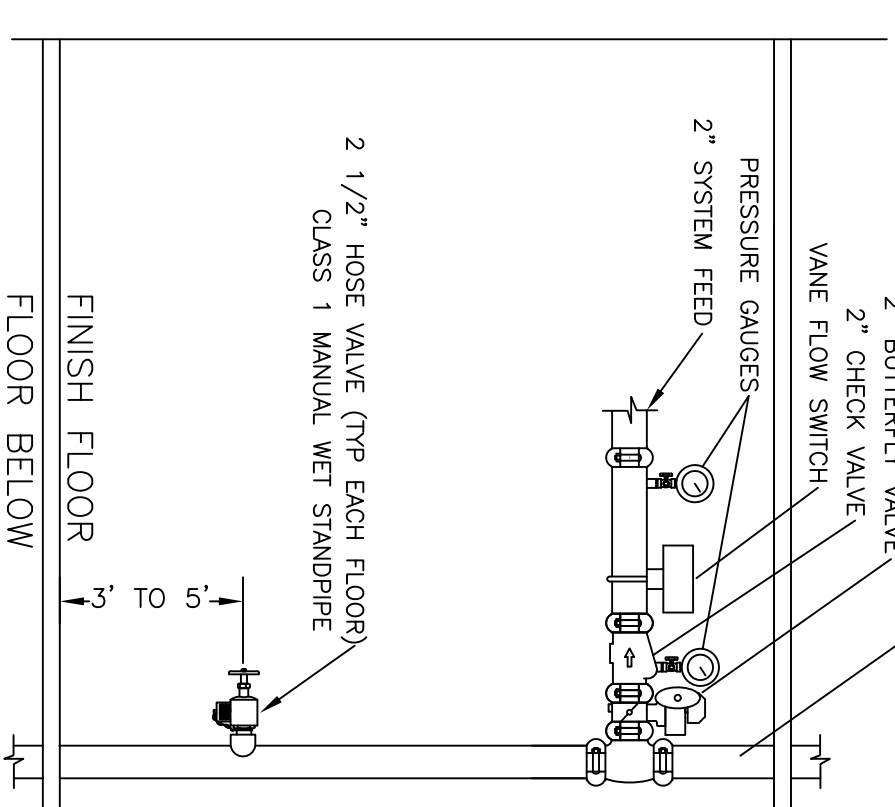
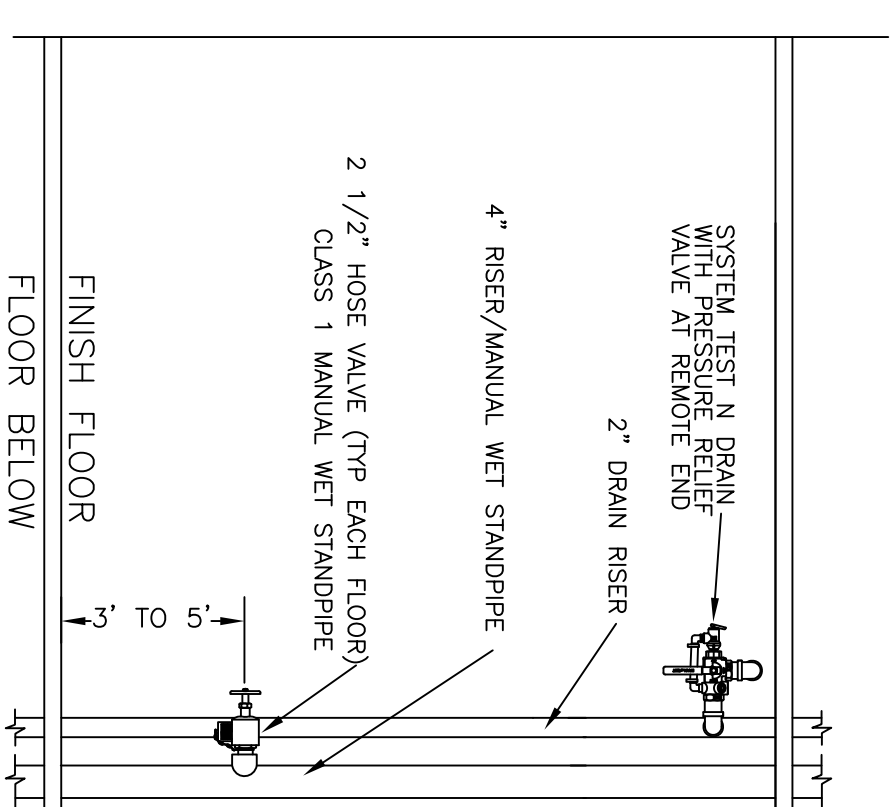
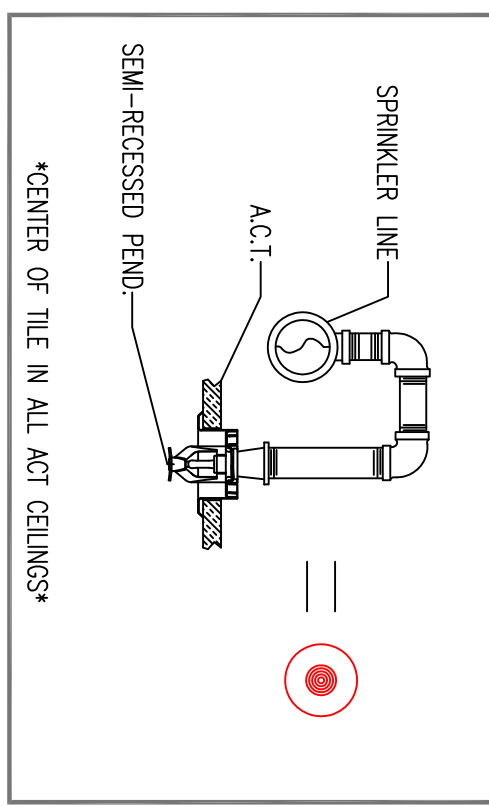
FOR TFP-400, TFP-500
WCTAULIC #899 & SPEARS FS-5
200 PSI (MAXIMUM) TEST PRESSURE

PIPE SIZE (IN/OD)	80% TO 100% AMBIENT TEMPERATURE DURING CURE PERIOD	40% TO 50% AMBIENT TEMPERATURE DURING CURE PERIOD	0% TO 30% AMBIENT TEMPERATURE DURING CURE PERIOD
1/2"	45 MIN.	1.5 HR.	24 HR.
1-1/4"	15 HR.	16 HR.	120 HR.
1-1/2"	1.5 HR.	16 HR.	120 HR.
2-1/2"	8 HR.	36 HR.	SEE NOTE 1
3"	8 HR.	36 HR.	SEE NOTE 1
4"	8 HR.	36 HR.	SEE NOTE 1
6"	8 HR.	36 HR.	SEE NOTE 1

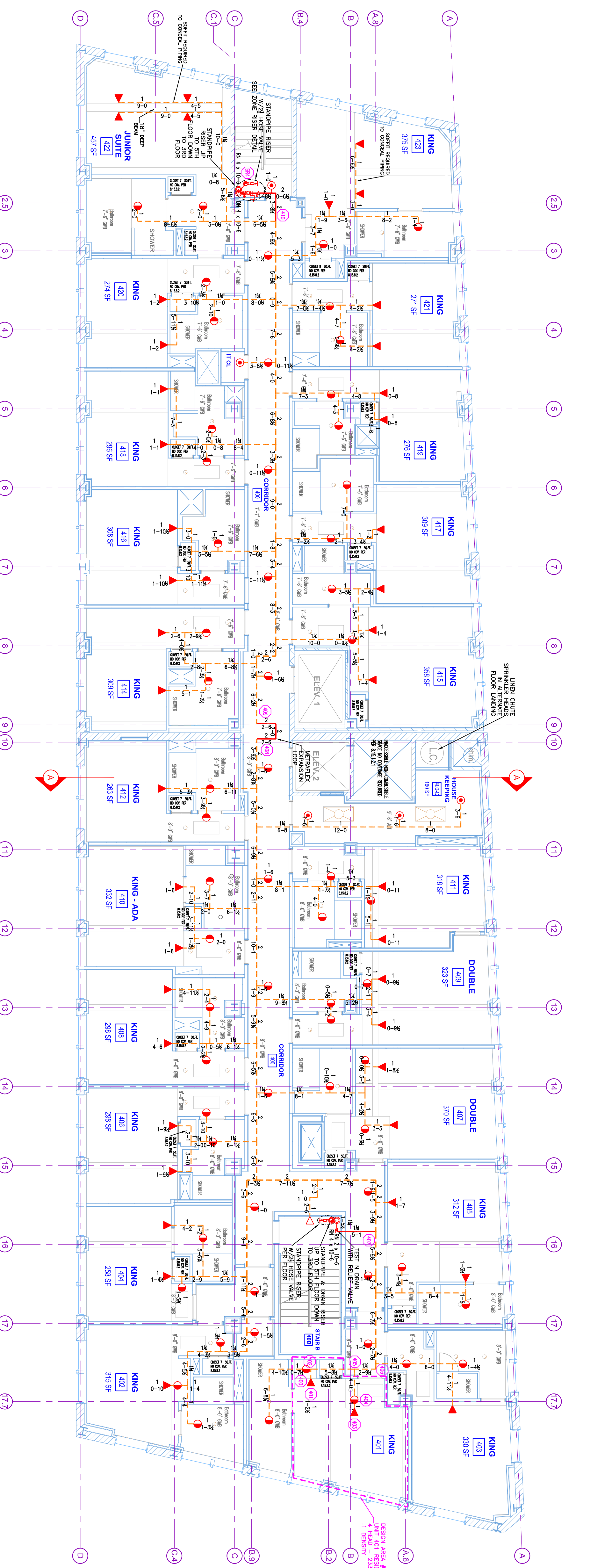
NOTE 1: FOR THESE SIZES, THE SOLVENT CEMENT CAN BE APPLIED AT TEMPERATURES BELOW 32°F. HOWEVER, THE SPRINKLER SYSTEM ABOVE AND AROUND CURE PER THE ABOVE RECOMMENDATIONS FIRST TO PRESSION TESTING.

CPVC HANGING NOTES

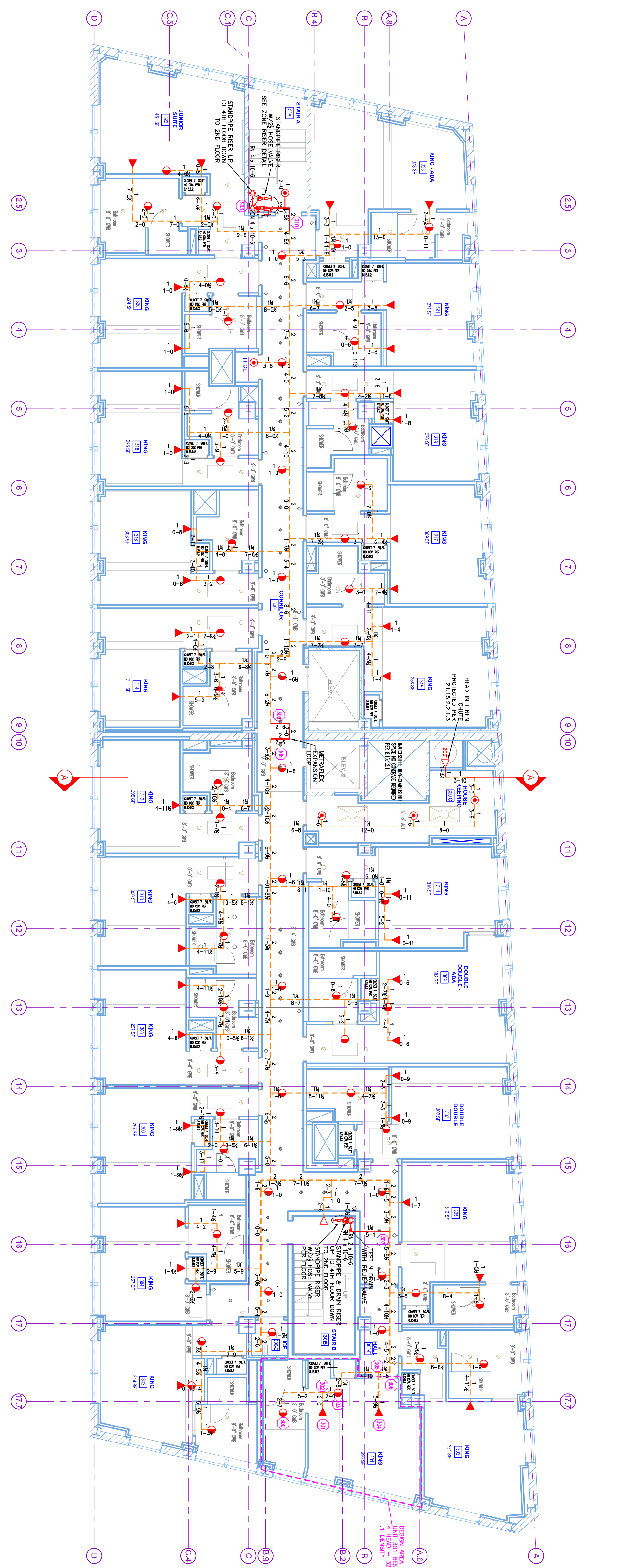
PIPE SIZE	3/4"	1"	1-1/4"	1-1/2"	2"	2-1/2"	3"
NOMINAL PIPE SIZE (FT) <td>1-1/4"</td> <td>1-1/4"</td> <td>1-1/4"</td> <td>1-1/2"</td> <td>2"</td> <td>2-1/2"</td> <td>3"</td>	1-1/4"	1-1/4"	1-1/4"	1-1/2"	2"	2-1/2"	3"
MINIMUM SUPPORT SPACING (FT) <td>6"</td> <td>6"</td> <td>6"</td> <td>6"</td> <td>6"</td> <td>9"</td> <td>10"</td>	6"	6"	6"	6"	6"	9"	10"



DESIGN AREA NUMBER 4A
HYDRAULIC DESIGN CRITERIA
TOPography: KING 200
AREA OF PROTECTION: 427-501 SF
DESIGN: 1.5% HOSE DEMAND OF 100 GPM
HEAD SPACING: 224 SQ FT 17' x 14'
SYSTEM STAND INCLUDING HOSE: 8
SAFETY MANDATE: 12-PSI



DESIGN AREA NUMBER 3A
HYDRAULIC DESIGN CRITERIA
TOPography: KING 200
AREA OF PROTECTION: 444-501 SF
DESIGN: 1.5% HOSE DEMAND OF 100 GPM
HEAD SPACING: 224 SQ FT 17' x 14'
SYSTEM STAND INCLUDING HOSE: 8
SAFETY MANDATE: 11-PSI



3 THIRD FLOOR (ZONE 3)
TOTAL PROTECTED AREA 9,400 SQ.FT.
SCALE 1/8" = 1'-0"

3.1 FOURTH FLOOR (ZONE 4)
TOTAL PROTECTED AREA 9,400 SQ.FT.
SCALE 1/8" = 1'-0"

